



US00D803210S

(12) **United States Design Patent** (10) **Patent No.:** **US D803,210 S**
Bang et al. (45) **Date of Patent:** **** Nov. 21, 2017**

(54) **ELECTRONIC DEVICE**

(71) Applicant: **Samsung Electronics Co., Ltd.**,
Suwon-si (KR)
(72) Inventors: **Yongseok Bang**, Yongin-si (KR); **Miri Lee**,
Namyangju-si (KR); **In Sik Chung**, Seoul (KR); **Jaehyung Hong**,
Seoul (KR)

(73) Assignee: **SAMSUNG ELECTRONICS CO., LTD.**,
Suwon-si (KR)

(**) Term: **15 Years**

(21) Appl. No.: **29/542,447**

(22) Filed: **Oct. 14, 2015**

(30) **Foreign Application Priority Data**

Aug. 13, 2015 (KR) 30-2015-0041029

(51) **LOC (10) Cl.** **14-02**

(52) **U.S. Cl.**
USPC **D14/344**

(58) **Field of Classification Search**
USPC D14/344, 138 R, 144, 358; D24/167,
D24/169, 186-187; D11/3, 93-94;
D10/30-39, 70, 98; 379/433.1;
361/679.03

CPC G06F 1/163; G06F 1/1628; G06F 1/1626;
G06F 1/1635; G06F 1/08; G06F 1/10;
G06F 1/04; G06F 1/14; G06F 1/3203;
A41D 1/002; H04M 1/02; H04M 1/03;
H04M 1/04; H04M 1/05; H04M 1/667;
H04M 1/6058; Y02B 60/12; H04B 1/385;
H04B 1/3888; H04B 1/3833; G06Q
20/10; G06Q 20/108; G06Q 20/12; G06Q
20/145

See application file for complete search history.

(56) **References Cited**

U.S. PATENT DOCUMENTS

D336,440 S * 6/1993 Favre D10/30
D416,498 S * 11/1999 Blondin D10/39

(Continued)

FOREIGN PATENT DOCUMENTS

JP 1126396 11/2001
TW D158667 S 2/2014
TW D164947 S 12/2014

OTHER PUBLICATIONS

Google's smartwatches get one critical thing wrong, posted Oct. 1,
2015, [retrieved Jun. 24, 2017]. Retrieved from Internet, <URL:
<http://www.businessinsider.com/android-wear-notifications-are-bad-on-smartwatches-2015-9> >.*

(Continued)

Primary Examiner — Karen Kearney

Assistant Examiner — Kristin E Reed

(74) *Attorney, Agent, or Firm* — McAndrews Held &
Malloy, Ltd.

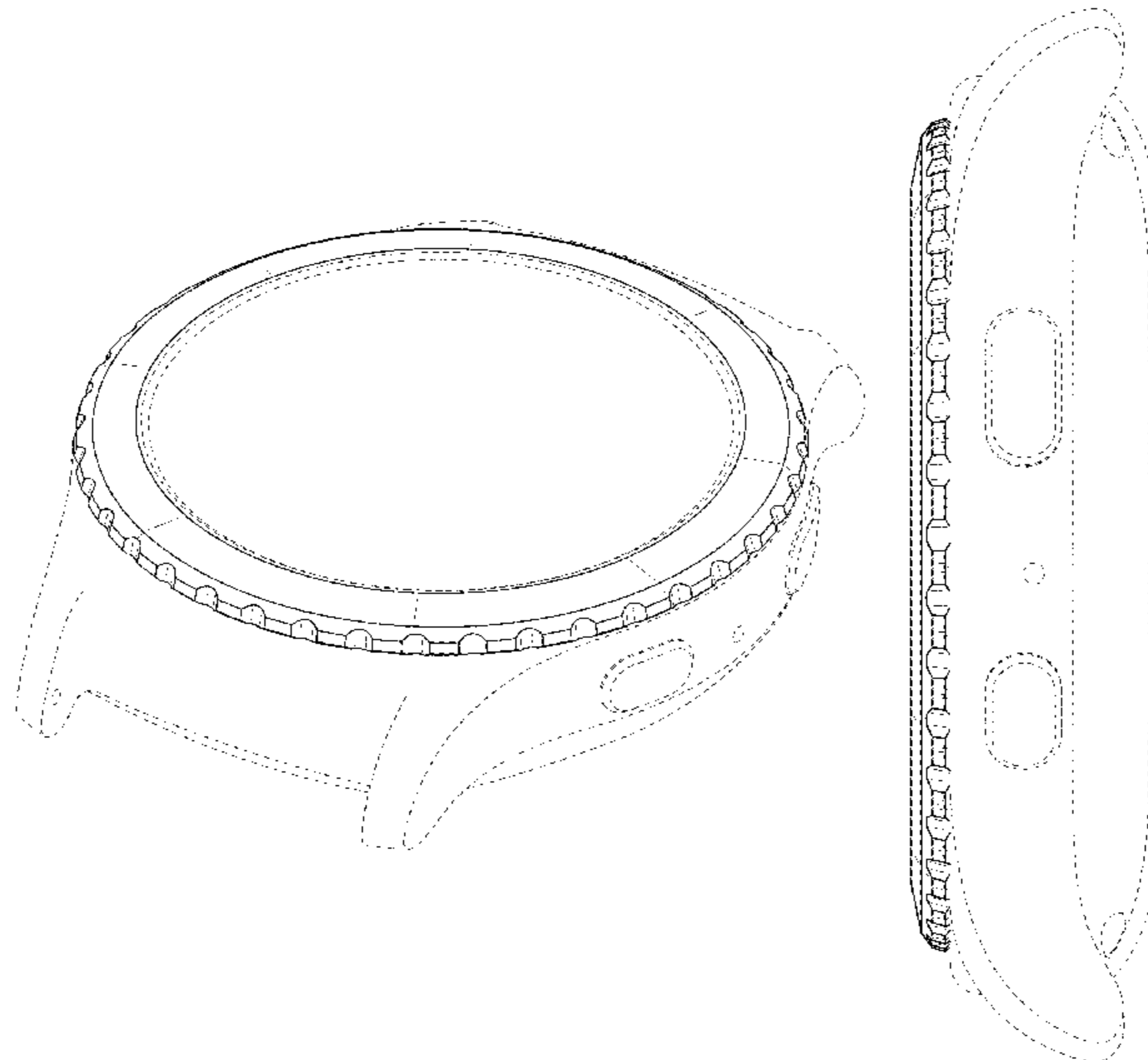
(57) **CLAIM**

The ornamental design for an electronic device, as shown
and described.

DESCRIPTION

FIG. 1 is a front perspective view of an electronic device
showing our new design;
FIG. 2 is a front elevation view thereof;
FIG. 3 is a rear elevation view thereof;
FIG. 4 is a left side elevation view thereof;
FIG. 5 is a right side elevation view thereof;
FIG. 6 is a top plan view thereof;
FIG. 7 is a bottom plan view thereof; and,
FIG. 8 is a rear perspective view thereof.
The dashed broken lines in the figures depict portions of the
electronic device that form no part of the claimed design.

1 Claim, 8 Drawing Sheets



(56)

References Cited

U.S. PATENT DOCUMENTS

D490,722 S * 6/2004 Weismann D10/30
D541,675 S * 5/2007 Ruchonnet D10/38
D579,350 S * 10/2008 Calvani D10/39
D730,201 S * 5/2015 Giannini D10/39
D760,096 S * 6/2016 Lutgen D10/126

OTHER PUBLICATIONS

Alcatel OneTouch's new device family has a pretty tempting smartwatch, posted Sep. 4, 2014, [retrieved Jun. 24, 2017]. Retrieved from Internet, <URL: <https://www.engadget.com/2014/09/04/alcatel-hero-2-hero-8-smartwatch/> >.*

Thread: What can you tell me about Rip Curl watches?, posted Sep. 30, 2012, [retrieved Jun. 24, 2017]. Retrieved from Internet, <URL: <http://forums.watchuseek.com/f71/what-can-you-tell-me-about-rip-curl-watches-755833.html> >.*

* cited by examiner

FIG. 1

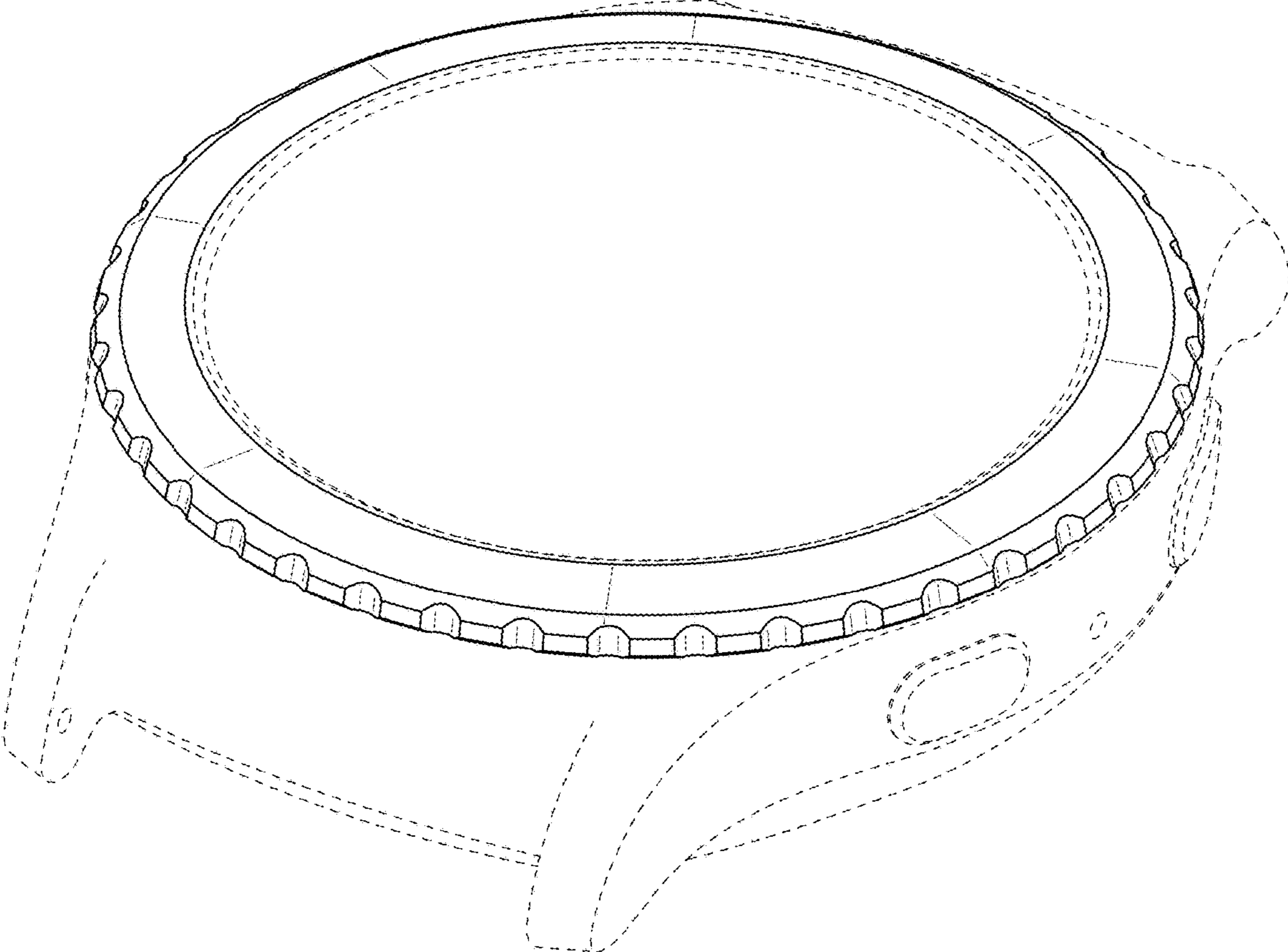


FIG. 2

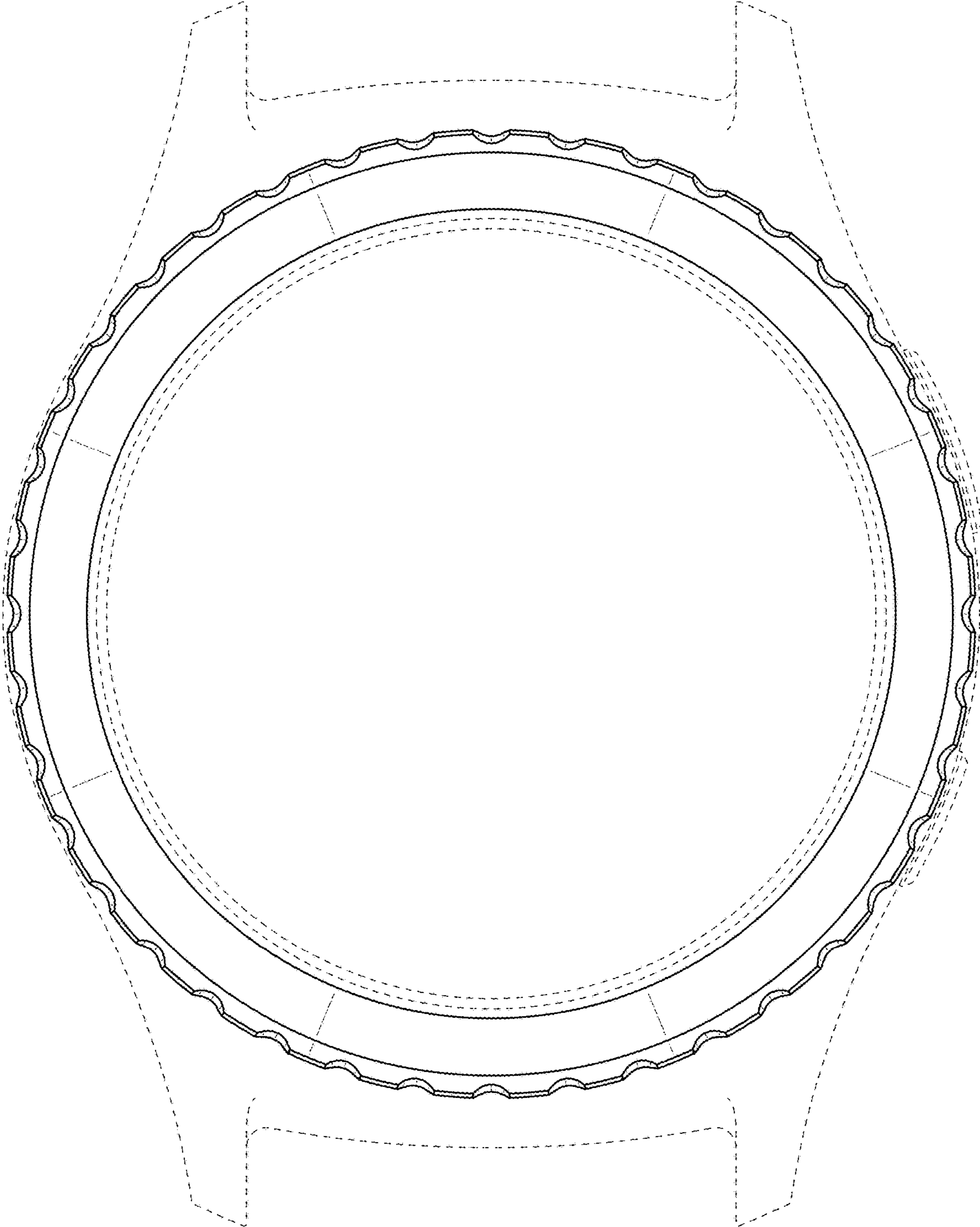


FIG. 3

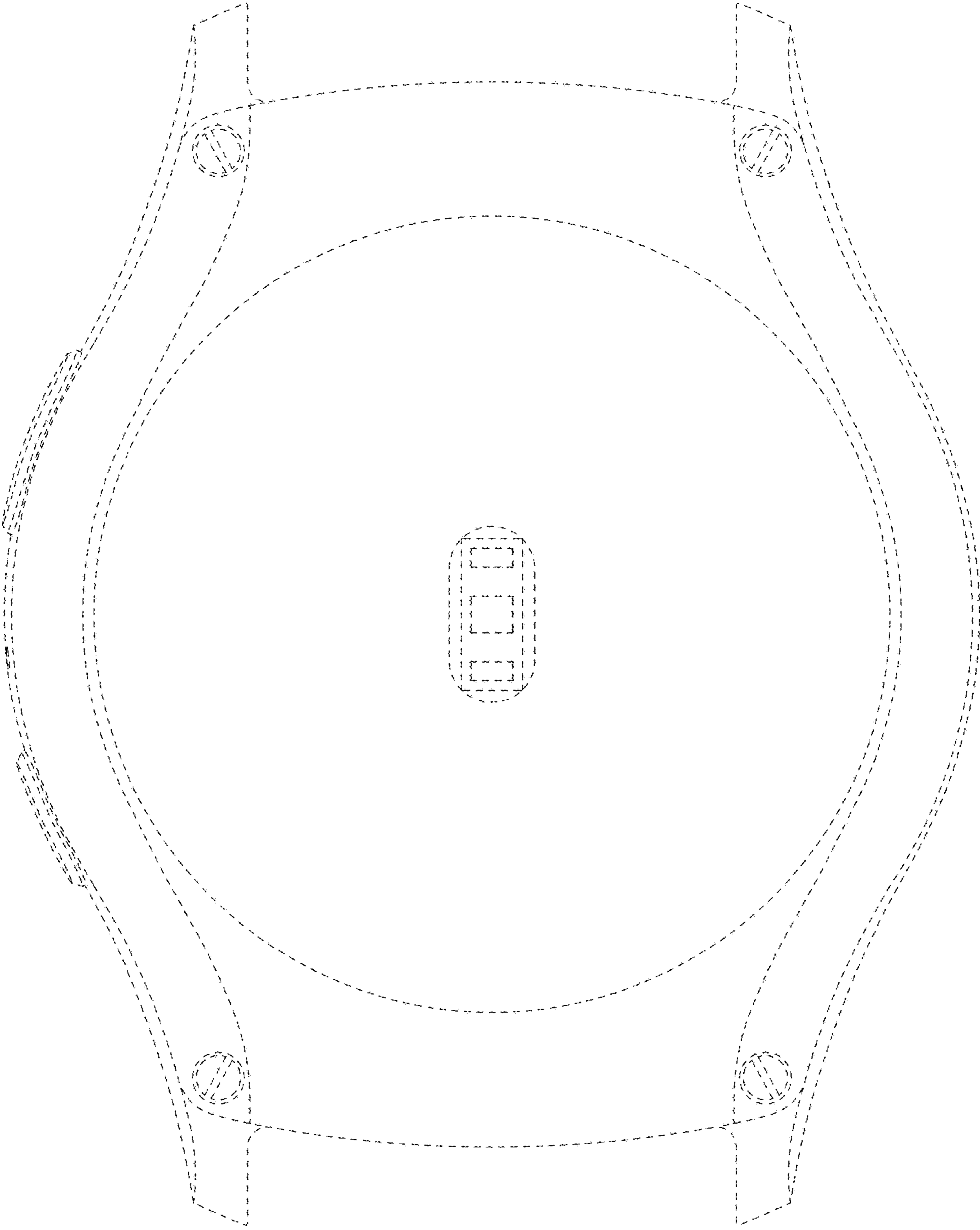


FIG. 4

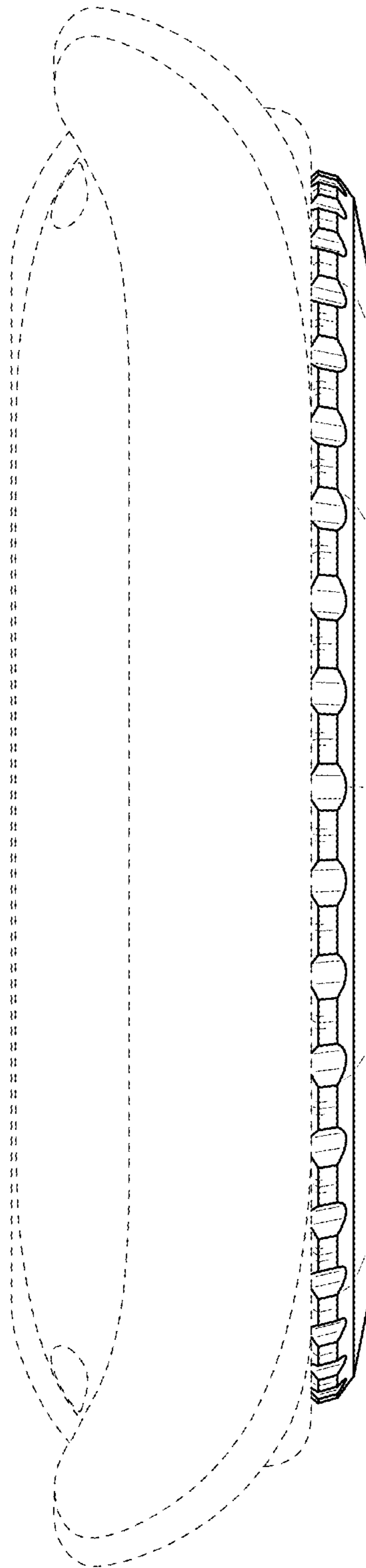


FIG. 5

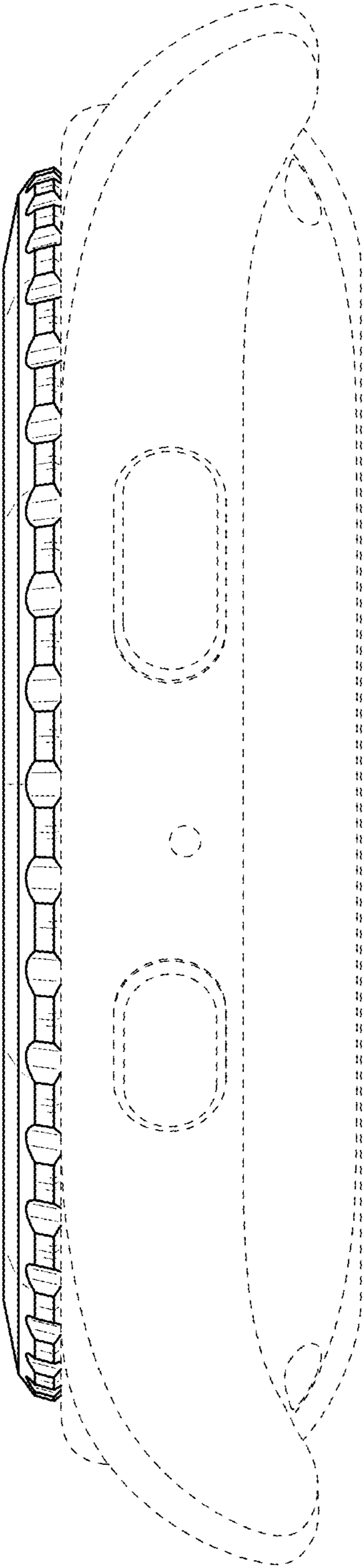


FIG. 6

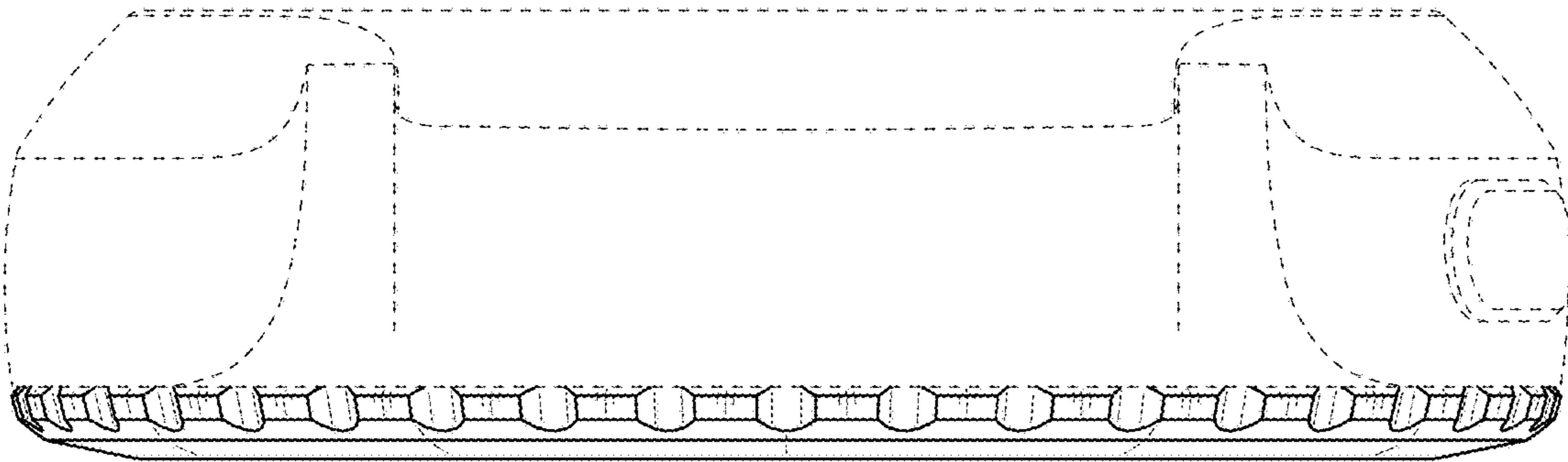


FIG. 7

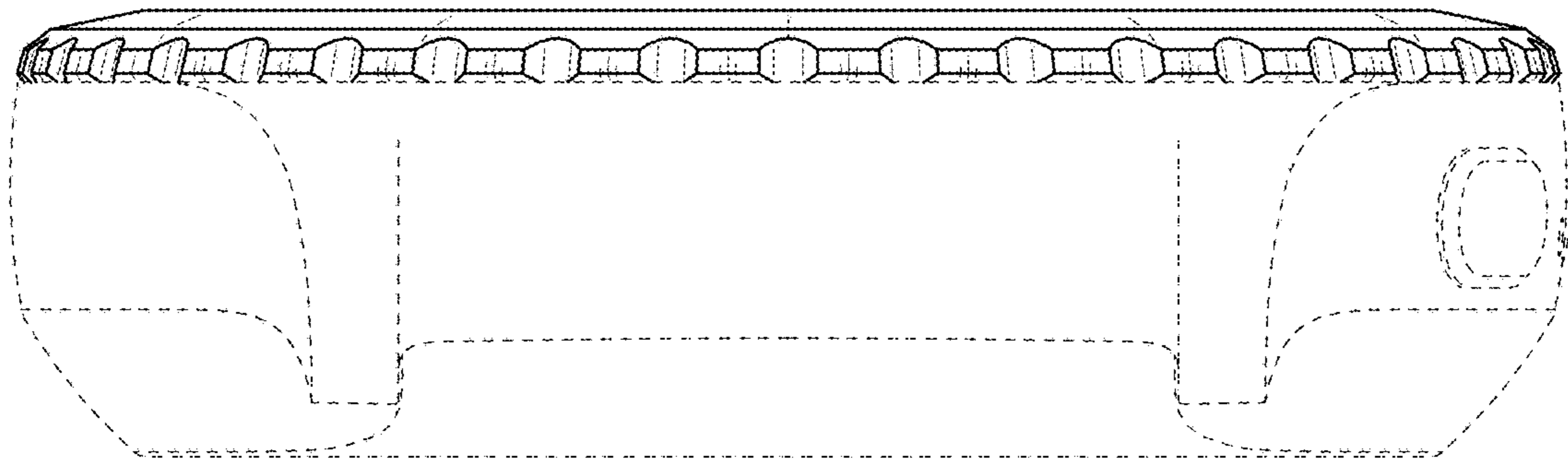


FIG. 8

