



US00D803208S

(12) **United States Design Patent** (10) **Patent No.:** **US D803,208 S**
Cai (45) **Date of Patent:** **** Nov. 21, 2017**

(54) **MOBILE PHONE HOLDER**

(71) Applicant: **Beijing AutoBot, Ltd.**, Beijing (CN)

(72) Inventor: **Liang Cai**, Beijing (CN)

(**) Term: **15 Years**

(21) Appl. No.: **29/574,867**

(22) Filed: **Aug. 19, 2016**

(30) **Foreign Application Priority Data**

Feb. 19, 2016 (CN) 2016 3 0047946

(51) **LOC (10) Cl.** **14-03**

(52) **U.S. Cl.**
USPC **D14/253**

(58) **Field of Classification Search**

USPC D14/251–253, 447, 451, 452, 440, 434,
D14/458, 432, 439, 457, 460, 238.1, 140,
D14/142, 149, 217, 148, 140.8, 140.11,
D14/209.1, 151, 140.9, 250, 238;
D13/107, 108; D12/415, 223, 114, 420,
D12/417, 407, 177; D3/218;
D16/242–245, 250, 237, 203, 214, 219;
D6/675, 672, 673, 675.4, 553, 676, 310,
D6/406.3, 406.4, 406.5, 406.6, 407, 567,
D6/300, 682.3; 248/459, 460; 224/483;
D8/349, 363

CPC B60R 2011/0008; B60R 11/02; B60R
11/0241; B60R 11/0258; B60R 11/0252;
B60R 2011/0294; F16M 11/00; F16M
11/04; F16M 11/041; F16M 11/02; F16M
11/06; F16M 13/00; H04M 1/02; H04M
1/04; H04M 1/11; H04M 1/12; A47F
7/022; B62J 11/00; H05K 7/00; G03B
17/56

See application file for complete search history.

(56) **References Cited**

U.S. PATENT DOCUMENTS

D558,772 S *	1/2008	Derry	D14/447
D558,773 S *	1/2008	Derry	D14/447
D592,188 S *	5/2009	Huang	D14/217
D637,593 S *	5/2011	Zanetti	D14/253
D640,707 S *	6/2011	Yeh	D14/447
D669,890 S *	10/2012	Hopkins	D14/251
D673,960 S *	1/2013	Lindfield	D14/447
D689,853 S *	9/2013	Smith	D14/253
D703,657 S *	4/2014	Carnevali	D14/253
D764,478 S *	8/2016	Radmard	H04M 1/185 D14/250
D765,646 S *	9/2016	Deng	D12/415
D769,852 S *	10/2016	Godycki	D14/250
D773,449 S *	12/2016	Mellano	D14/253
2014/0138419 A1 *	5/2014	Minn	B60R 11/0241 224/567

* cited by examiner

Primary Examiner — Janice Hallmark

(74) *Attorney, Agent, or Firm* — Thibault Patent Group

(57) **CLAIM**

The ornamental design for a mobile phone holder, as shown and described.

DESCRIPTION

FIG. 1 is a front perspective view of the mobile phone holder;

FIG. 2 is a rear perspective view thereof;

FIG. 3 is a front plan view thereof;

FIG. 4 is a rear plan view thereof;

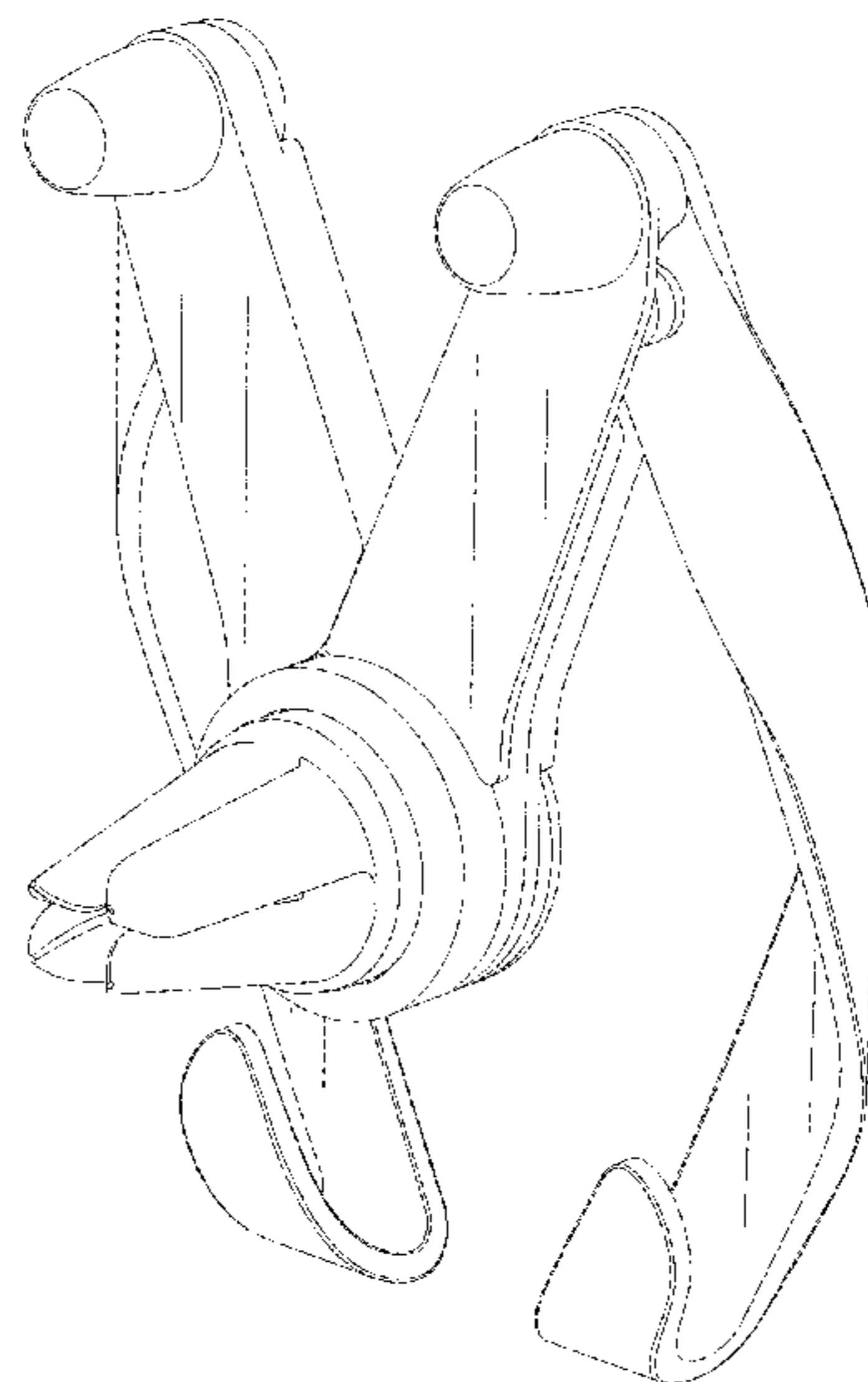
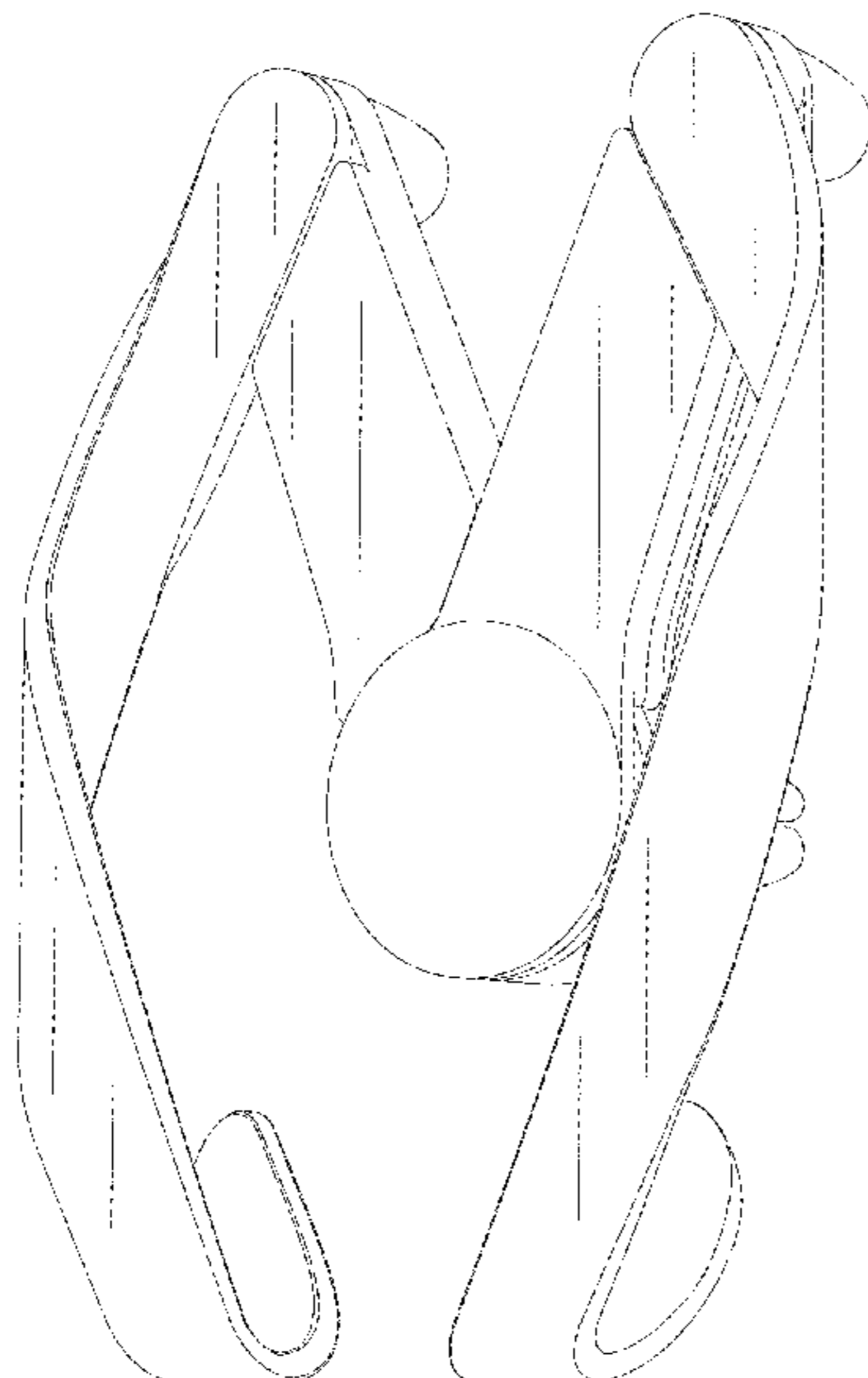
FIG. 5 is a left plan view thereof;

FIG. 6 is a right plan view thereof;

FIG. 7 is a top plan view thereof; and,

FIG. 8 is a bottom plan view thereof.

1 Claim, 8 Drawing Sheets



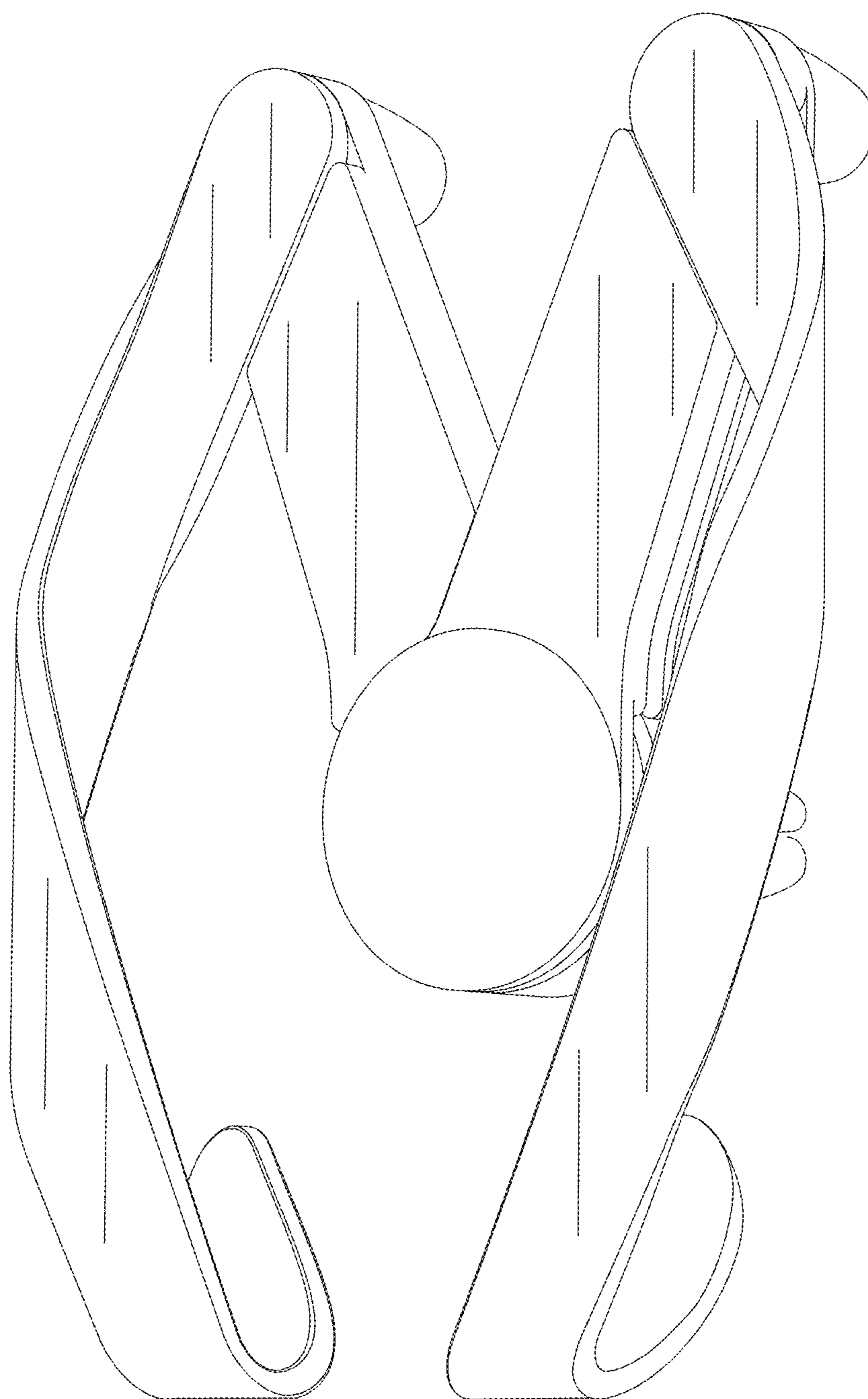


Fig. 1

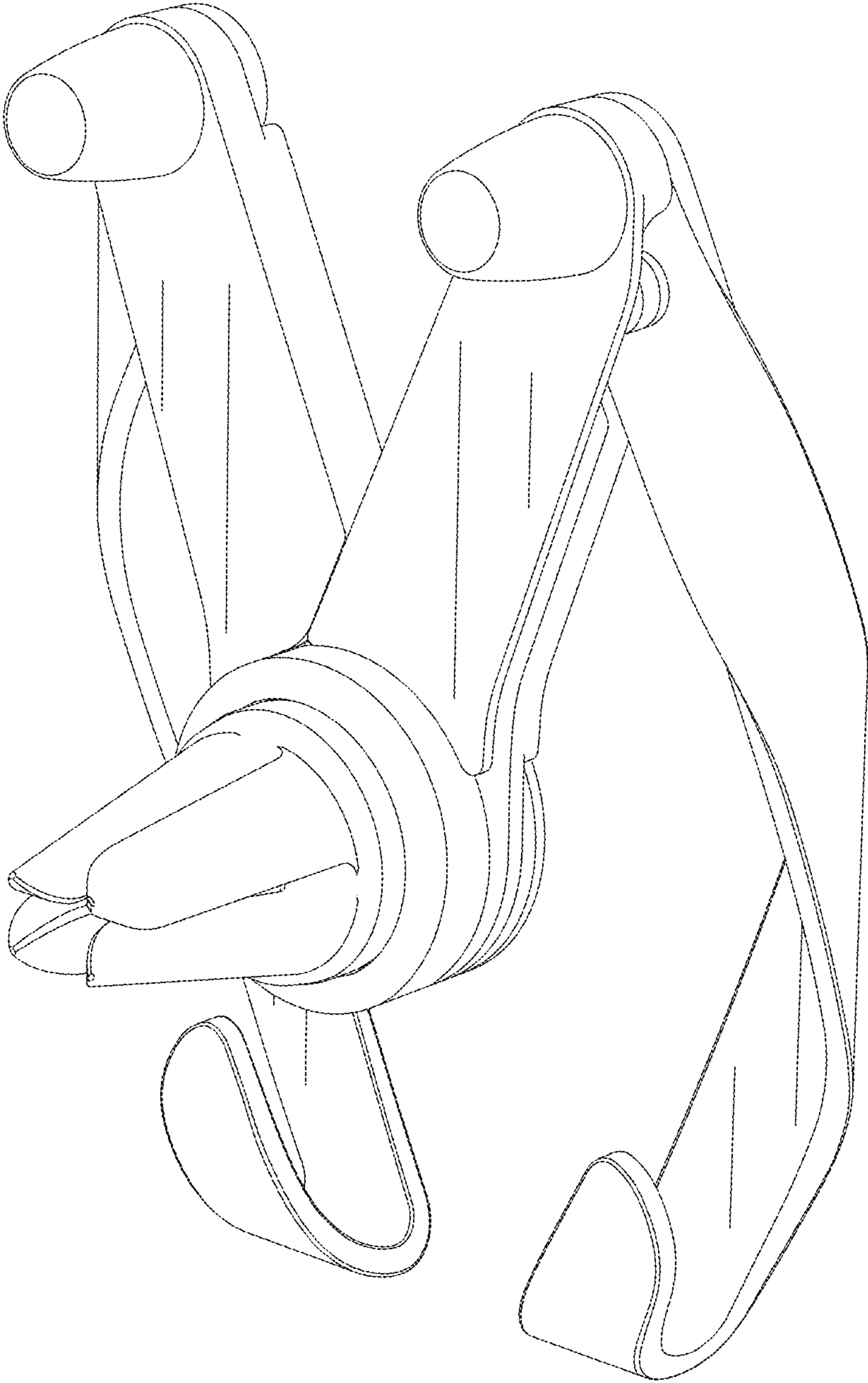


Fig. 2

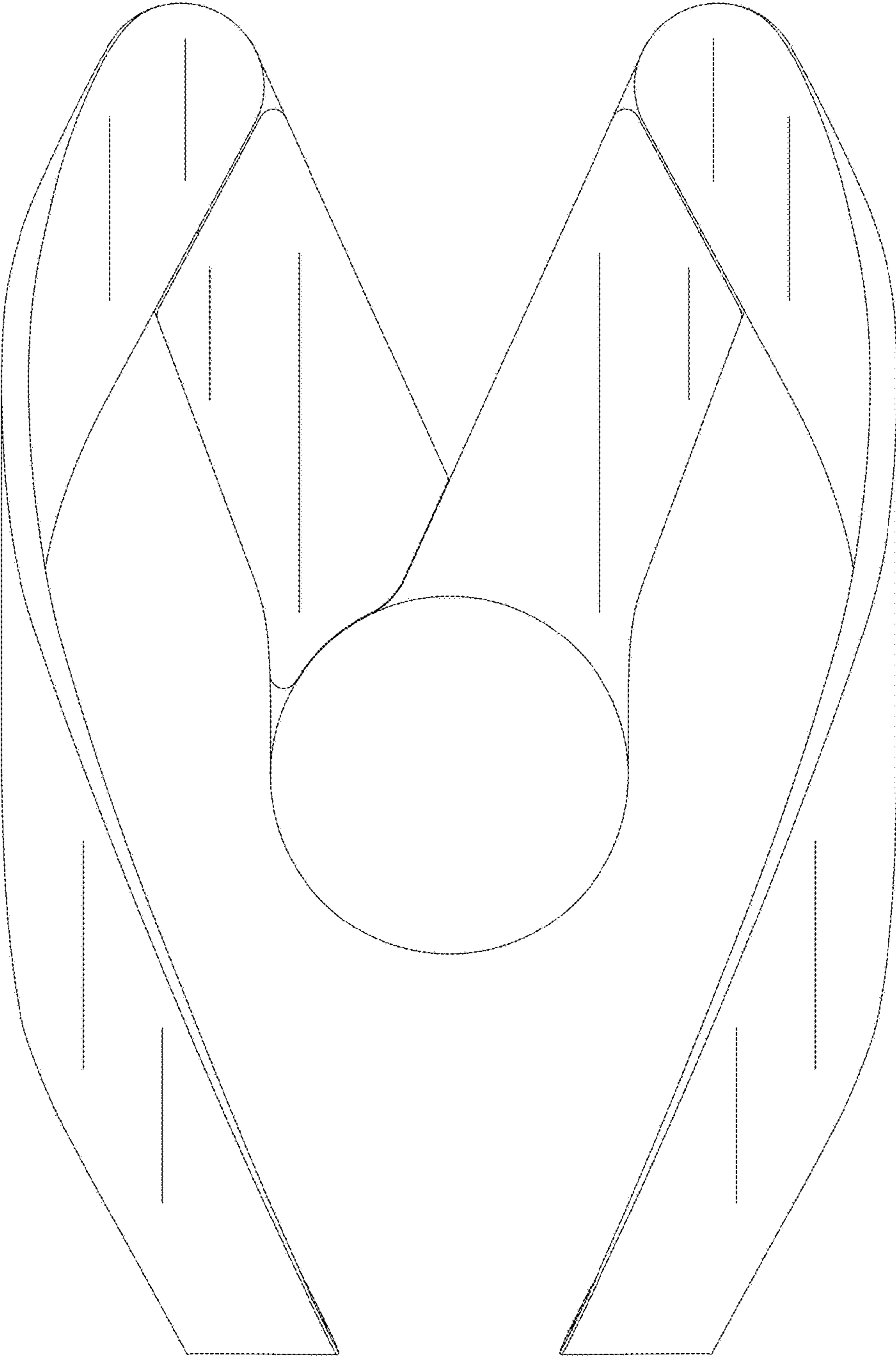


Fig. 3

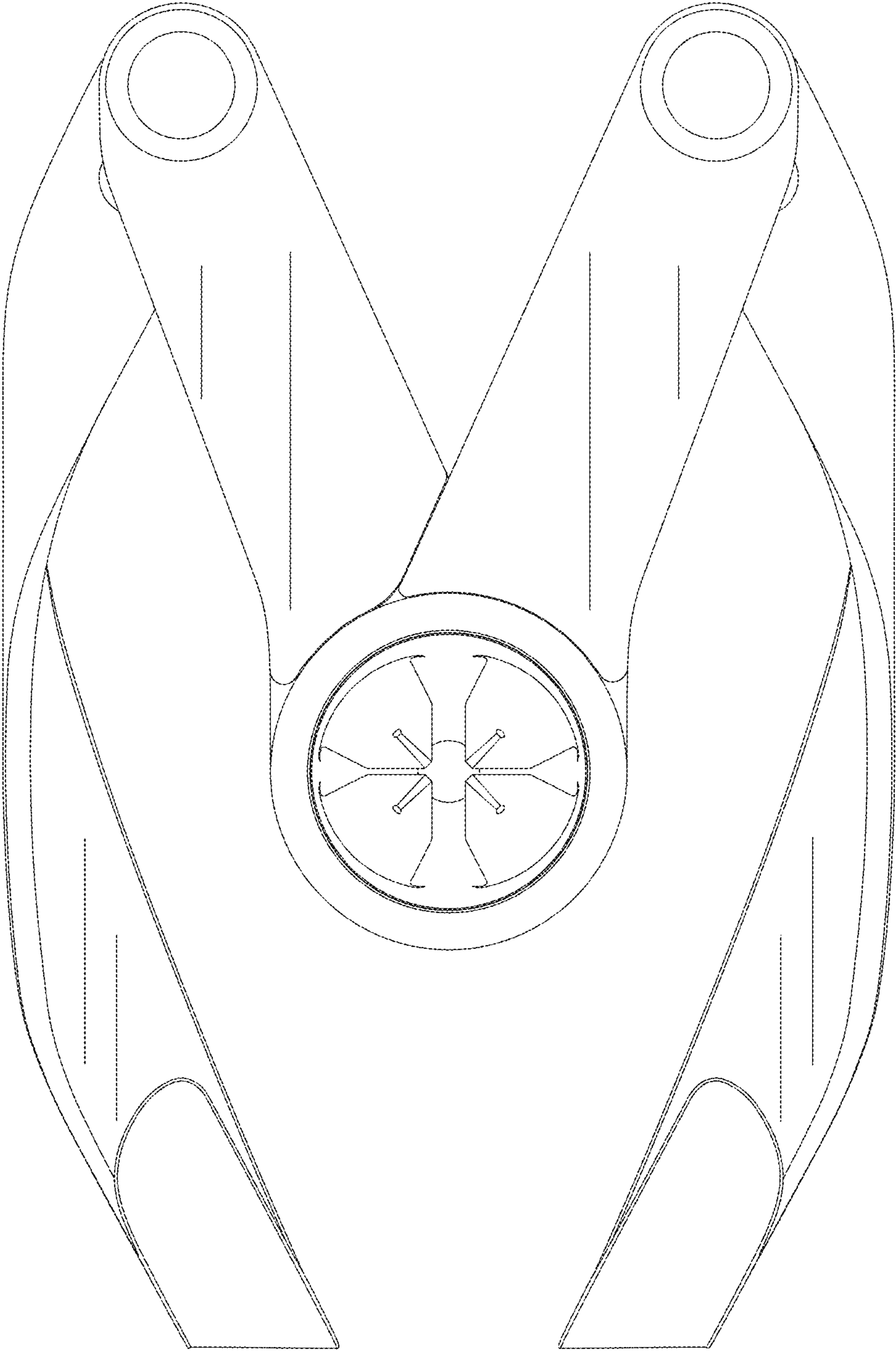


Fig. 4

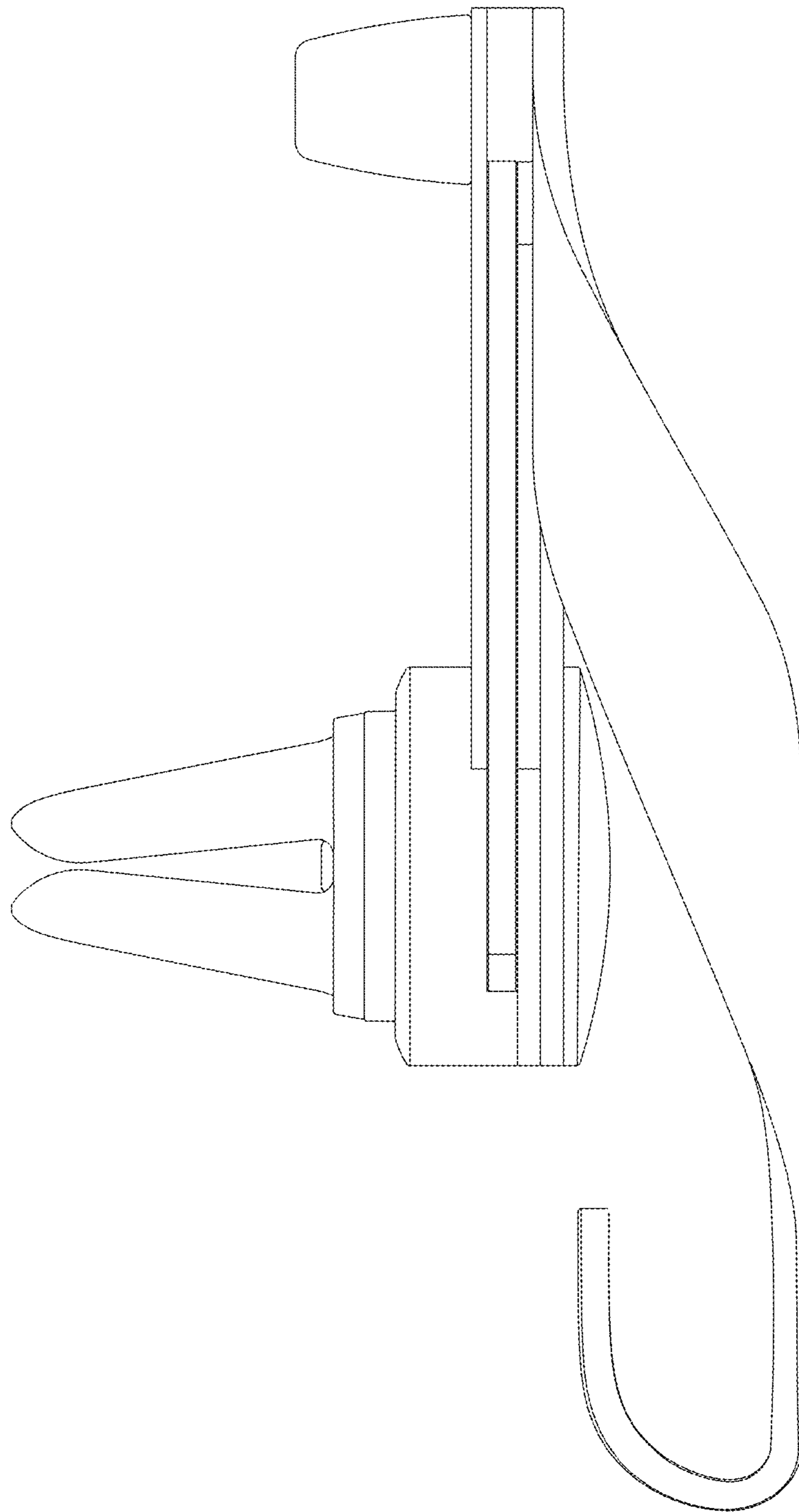


Fig. 5

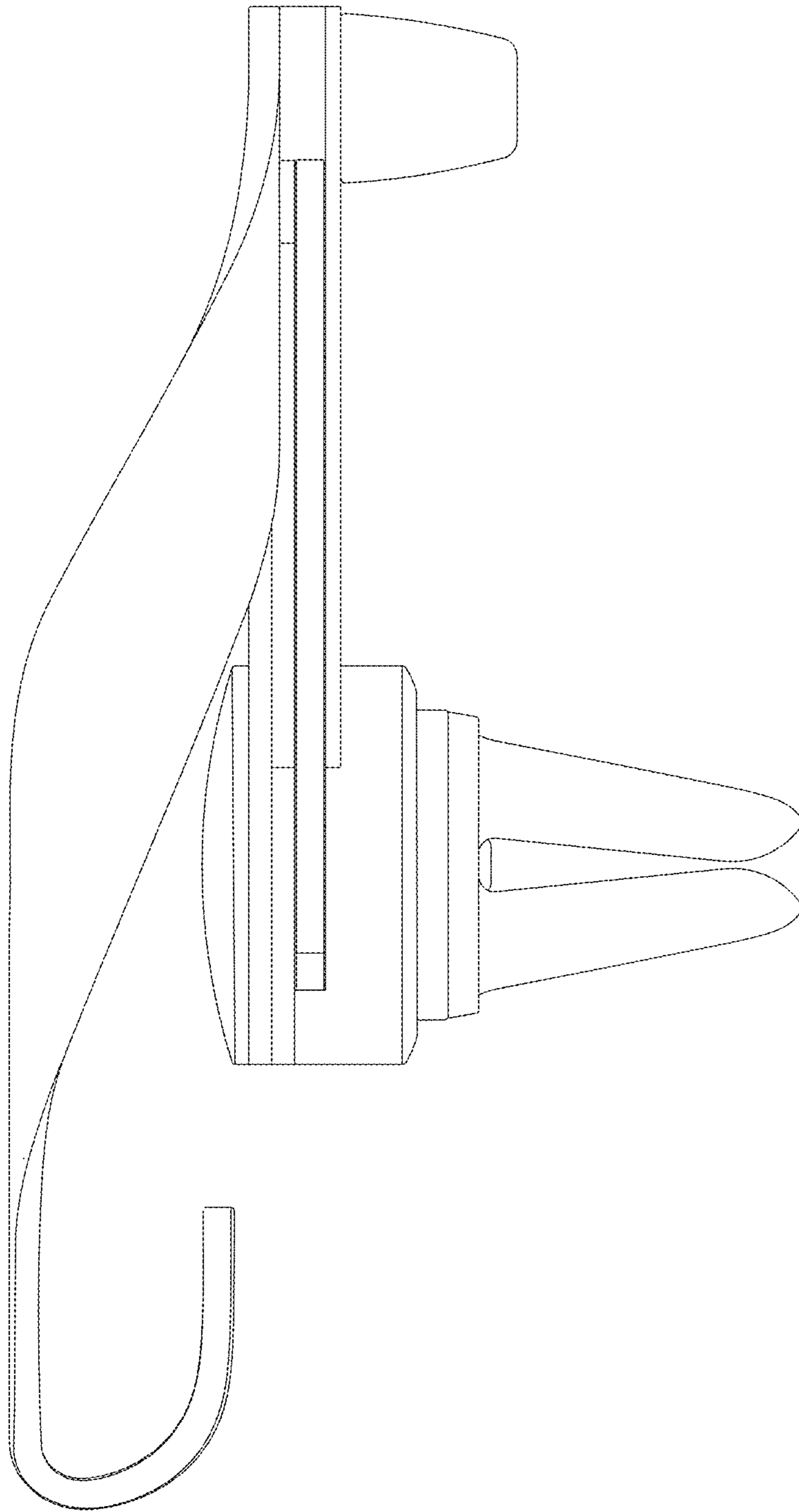


Fig. 6

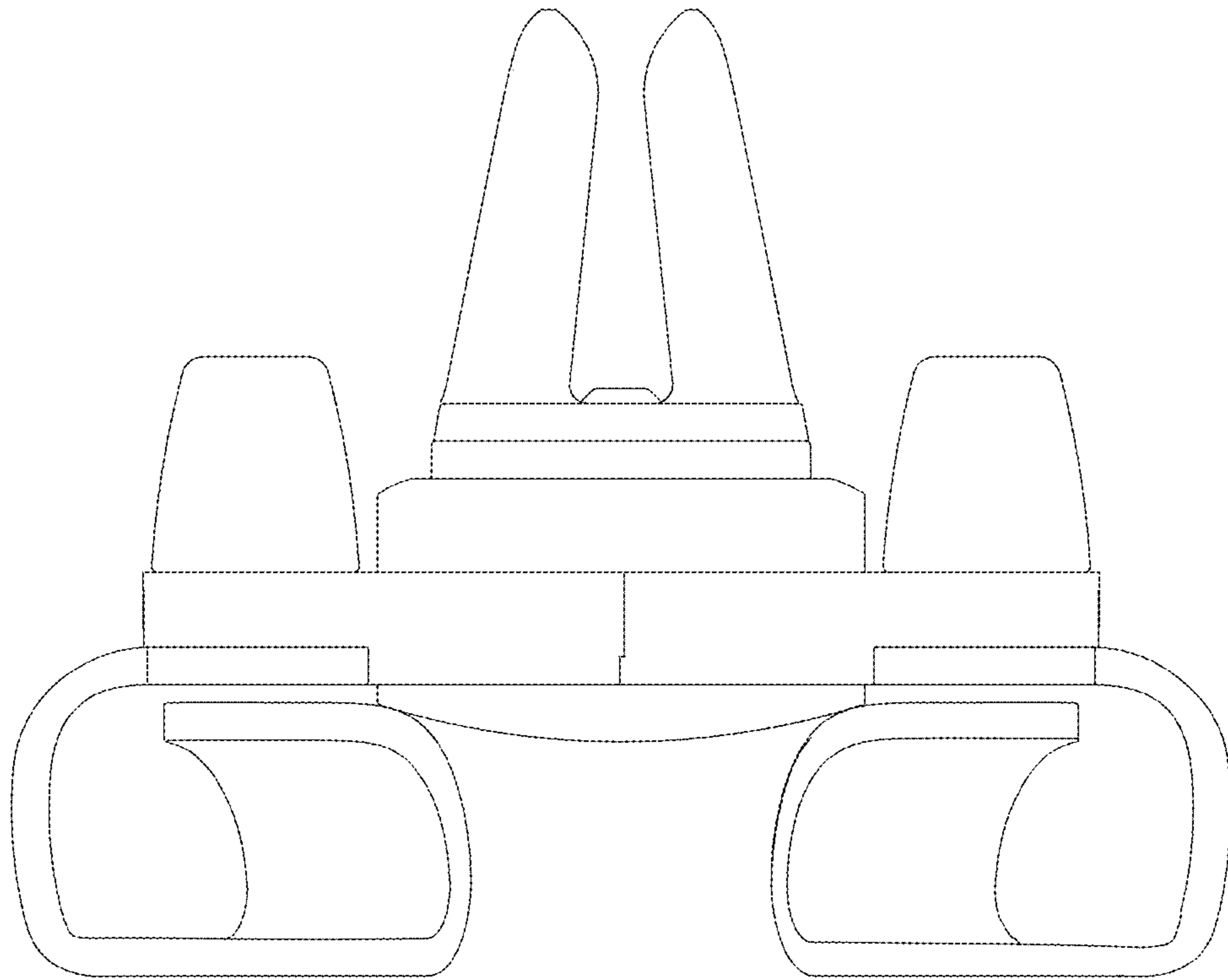


Fig. 7

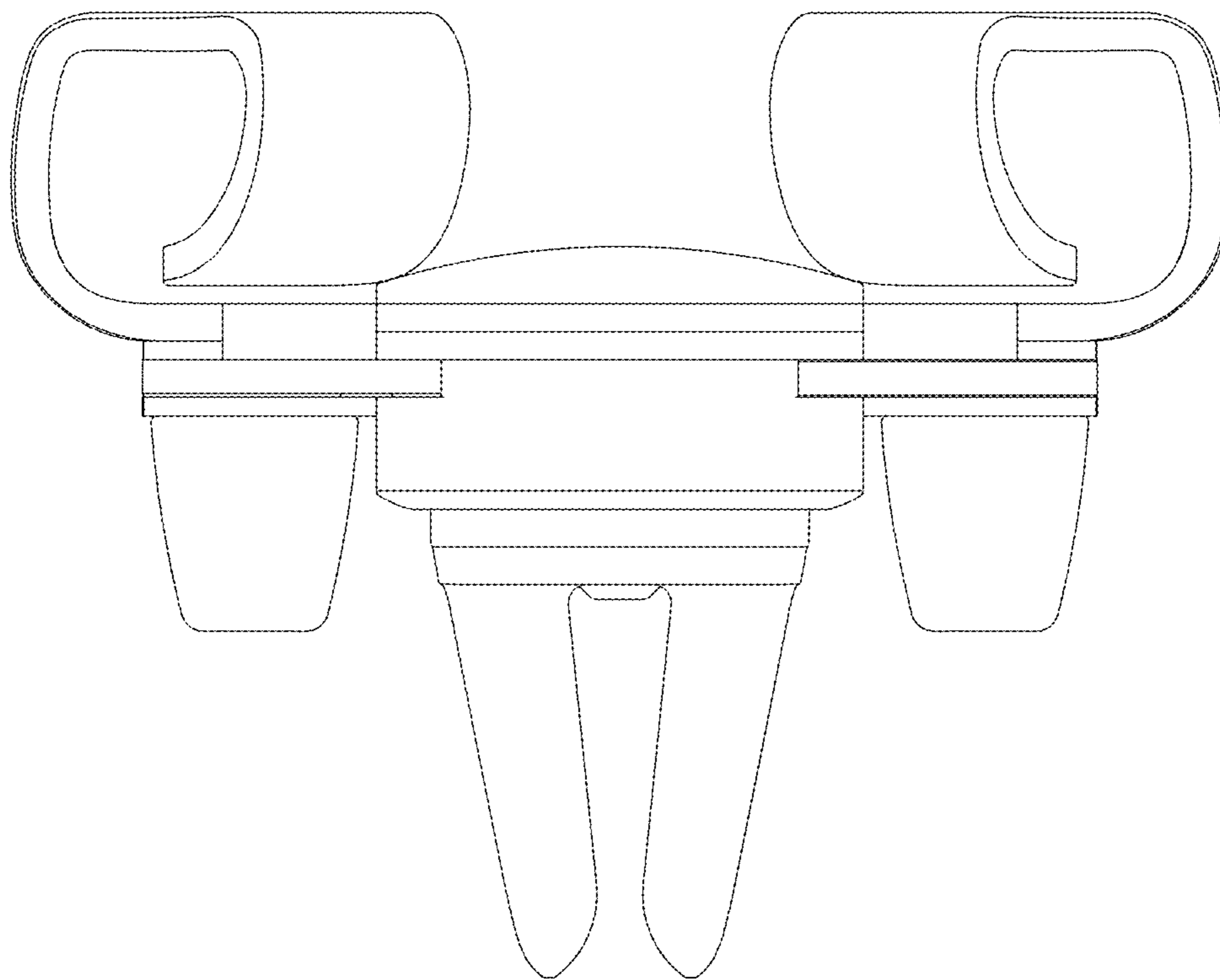


Fig. 8