



US00D803207S

(12) **United States Design Patent**
Karis et al.

(10) **Patent No.:** **US D803,207 S**

(45) **Date of Patent:** **** Nov. 21, 2017**

- (54) **ELECTRONIC DEVICE CARRYING CASE**
- (71) Applicant: **Karis and Drake, LLC**, Los Angeles, CA (US)
- (72) Inventors: **Colleen Karis**, Los Angeles, CA (US); **Maggie Drake**, Los Angeles, CA (US)
- (73) Assignee: **Karis and Drake, LLC**, Los Angeles, CA (US)

D649,539	S	*	11/2011	Hong	D14/250
8,300,388	B2	*	10/2012	Li	A45F 3/14 224/254
D678,871	S	*	3/2013	Mishan	D14/250
D679,694	S	*	4/2013	Fahrendorff	D14/250
D686,606	S	*	7/2013	Hong	D14/250
D686,607	S	*	7/2013	Hong	D14/250
2001/0035442	A1	*	11/2001	Yokobori	A45C 13/26 224/197
2009/0023484	A1	*	1/2009	Macklin	A45C 11/00 455/575.6
2012/0262618	A1	*	10/2012	Weakly	A45C 11/00 348/333.01

- (**) Term: **15 Years**
- (21) Appl. No.: **29/572,931**
- (22) Filed: **Aug. 1, 2016**

(Continued)

Primary Examiner — Sandra Snapp
Assistant Examiner — Holly E Thurman
 (74) *Attorney, Agent, or Firm* — K&L Gates LLP

Related U.S. Application Data

- (63) Continuation of application No. 29/532,613, filed on Jul. 8, 2015, now Pat. No. Des. 762,632, which is a continuation of application No. 29/459,564, filed on Jul. 1, 2013, now Pat. No. Des. 736,196.

- (51) **LOC (10) Cl.** **14-03**
- (52) **U.S. Cl.**
USPC **D14/250**

- (58) **Field of Classification Search**
USPC D14/250–253, 440, 203.3–203.7, 217, D14/496, 248, 238.1, 240, 447; D3/201, D3/218, 269, 301, 273, 303; D13/103, D13/107–108
CPC . A45C 2011/002; A45C 11/00; A45C 13/002; A45C 2011/003; H04M 1/0283; H04M 1/0202
See application file for complete search history.

(56) **References Cited**

U.S. PATENT DOCUMENTS

D499,546	S	*	12/2004	Smithers	D3/218
D533,994	S	*	12/2006	Hussaini	D3/218
D629,329	S	*	12/2010	Mudrick	D11/87

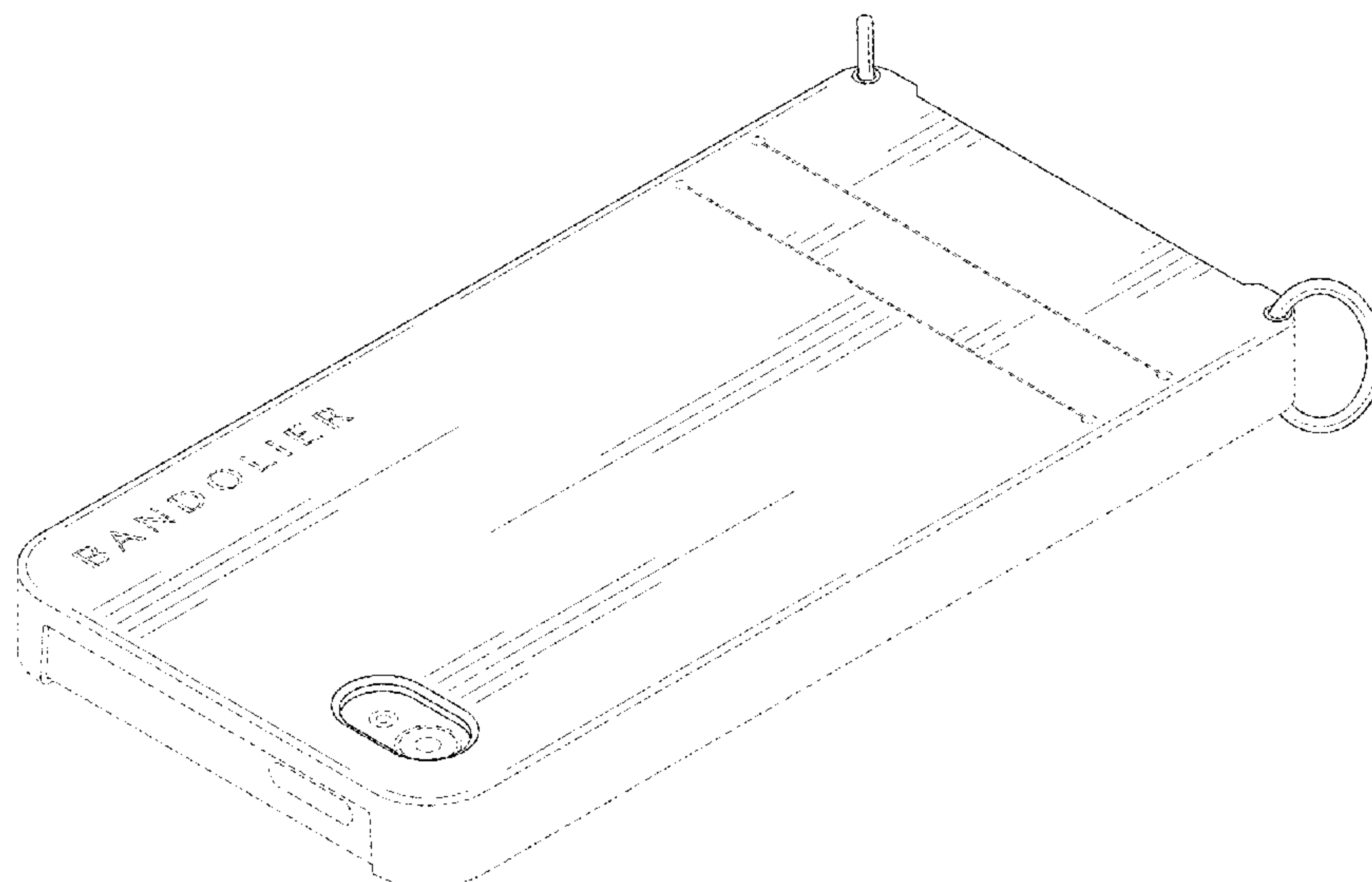
(57) **CLAIM**

The ornamental design for an electronic device carrying case, as shown and described.

DESCRIPTION

FIG. 1 is a back view of an electronic device carrying case showing our new design, in which the case is shown on a smaller scale;
 FIG. 2 is a perspective view thereof;
 FIG. 3 is a back view thereof;
 FIG. 4 is a front view thereof;
 FIG. 5 is a first end view thereof;
 FIG. 6 is a second end view thereof;
 FIG. 7 is a first side view thereof; and,
 FIG. 8 is a second side view thereof.
 The unshaded surfaces that are visible through the openings and the broken lines on the unshaded surfaces depict an unclaimed electronic device.
 All other broken lines depict unclaimed portions of the electronic device carrying case and unclaimed environment and form no part of the claimed design.

1 Claim, 5 Drawing Sheets



(56)

References Cited

U.S. PATENT DOCUMENTS

2012/0273541 A1* 11/2012 Zwach A45C 11/00
224/615

* cited by examiner

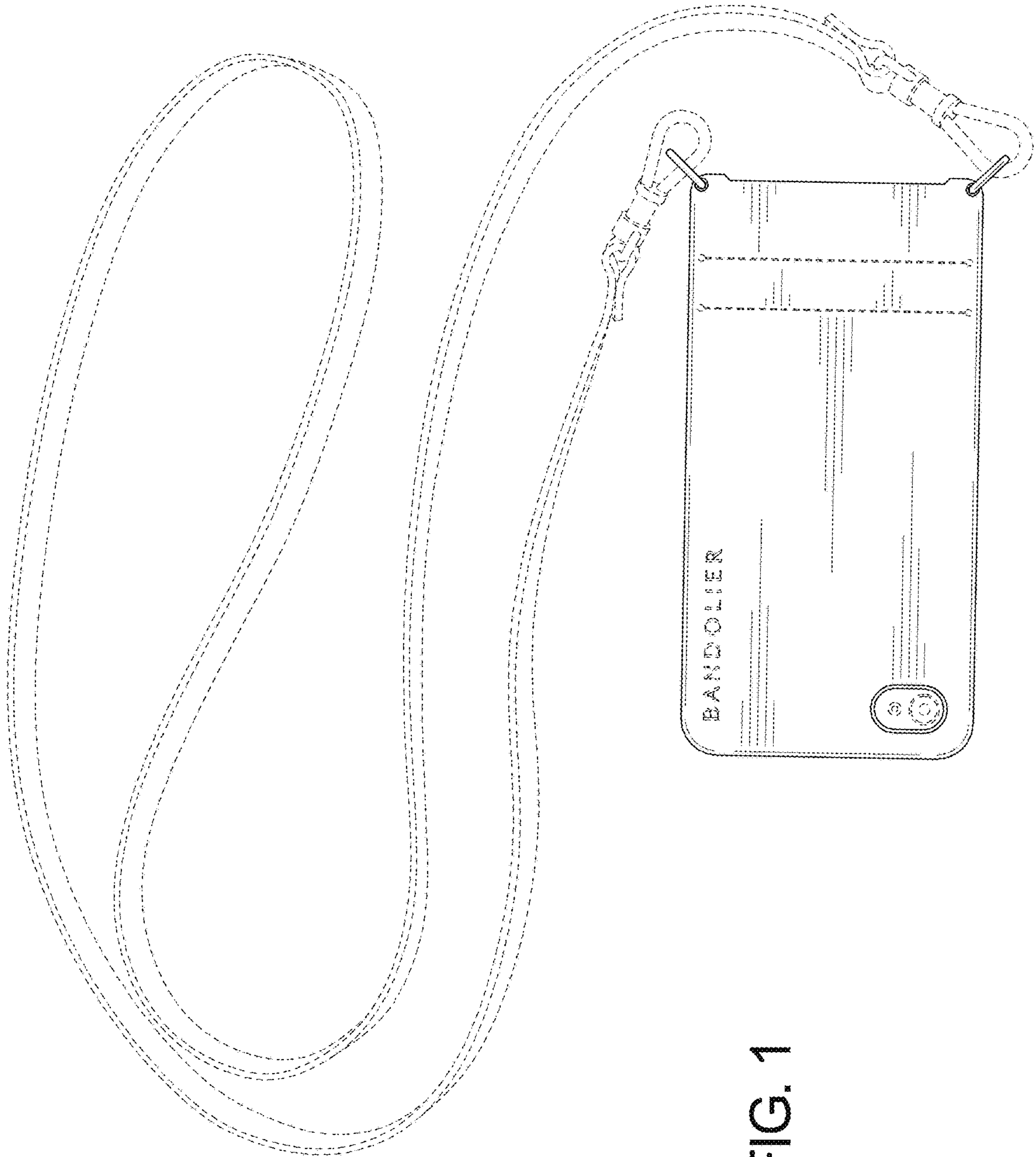


FIG. 1

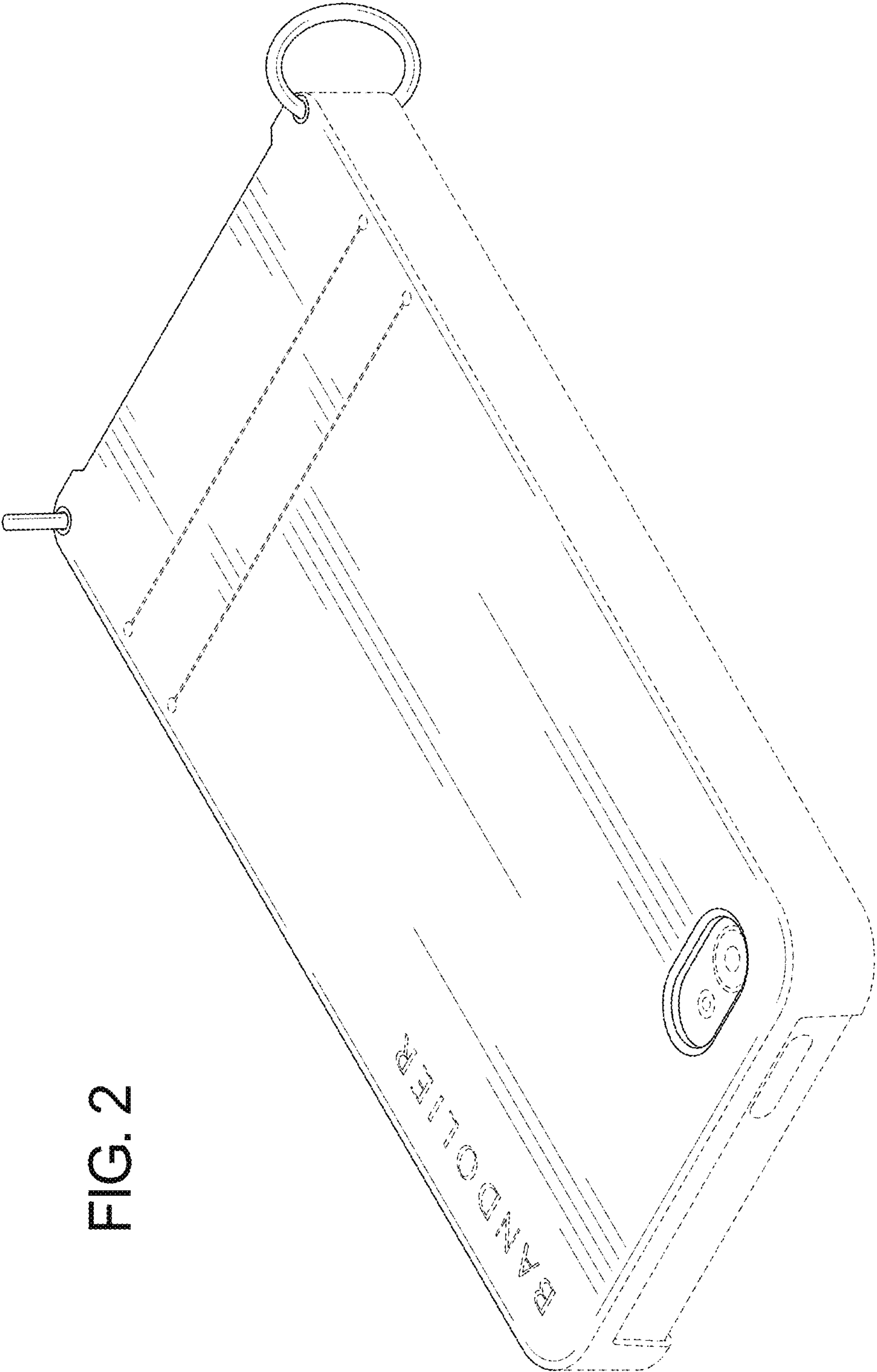


FIG. 2

FIG. 3

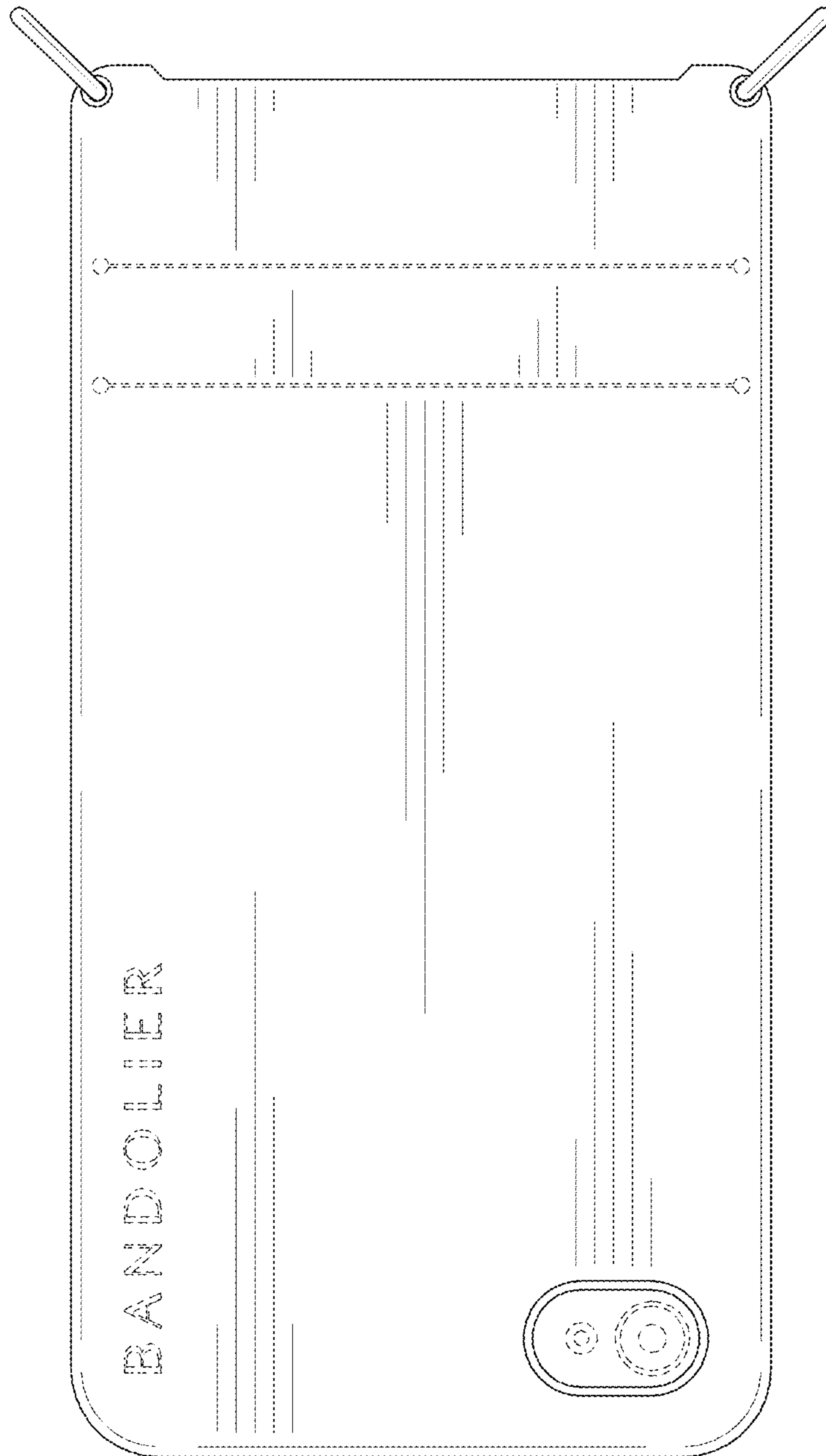


FIG. 4

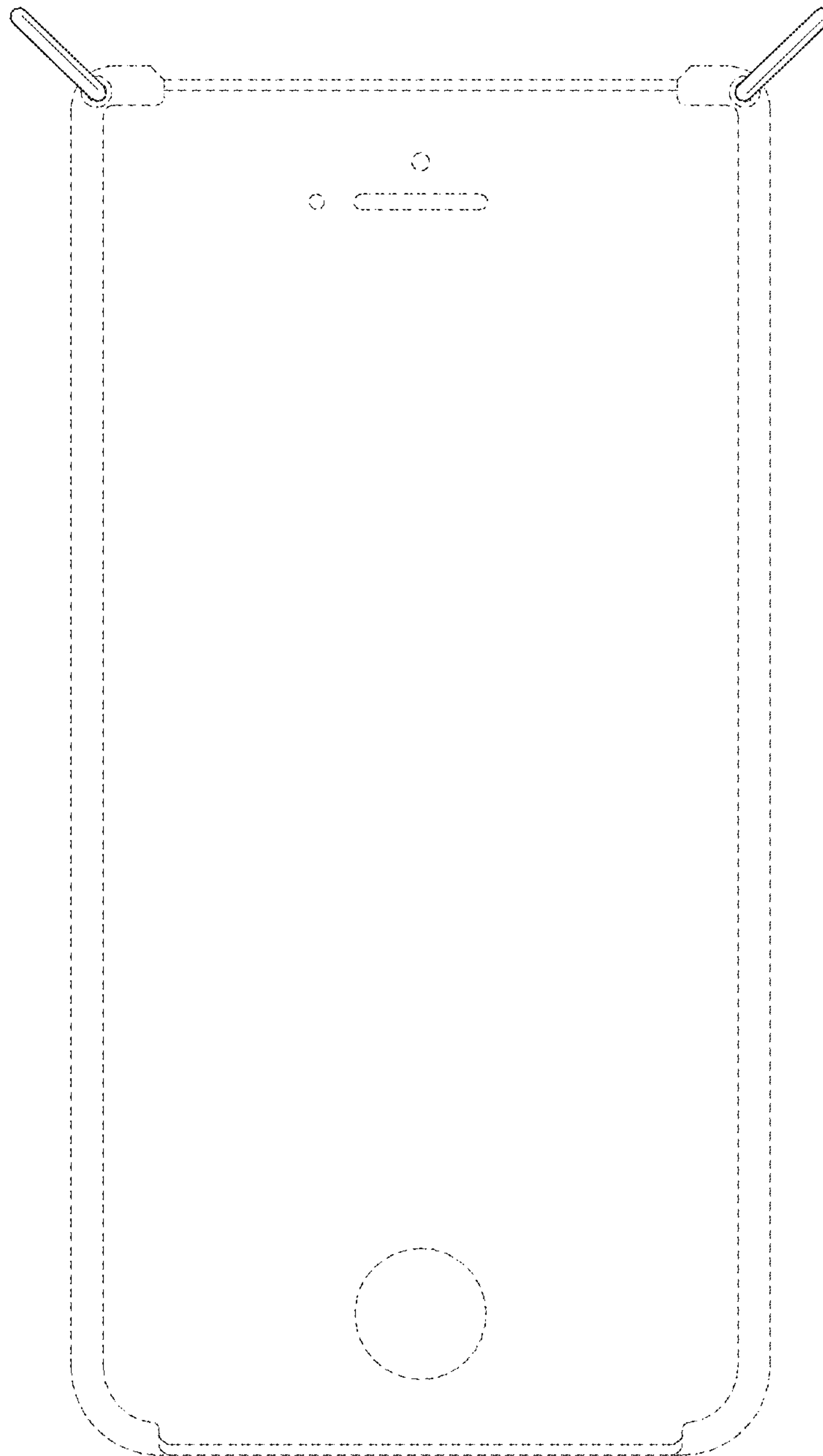


FIG. 5

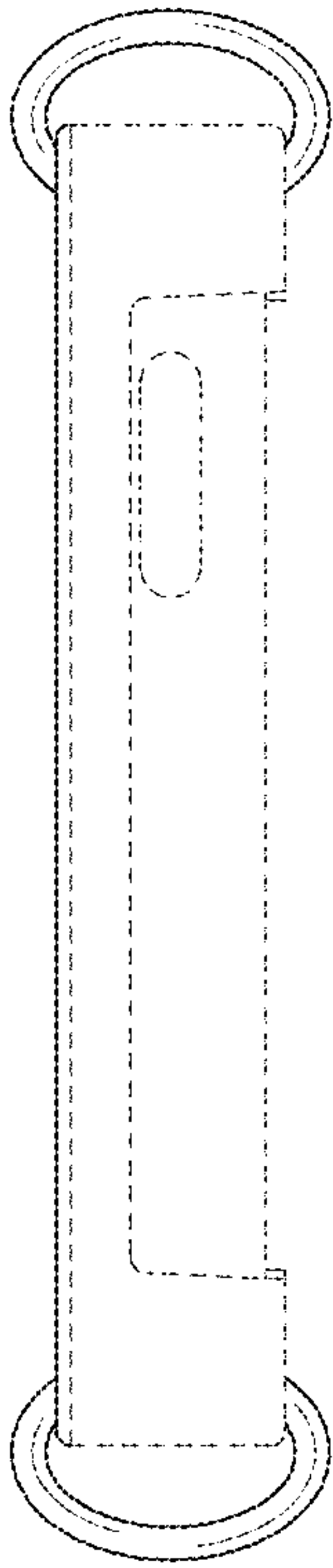


FIG. 6

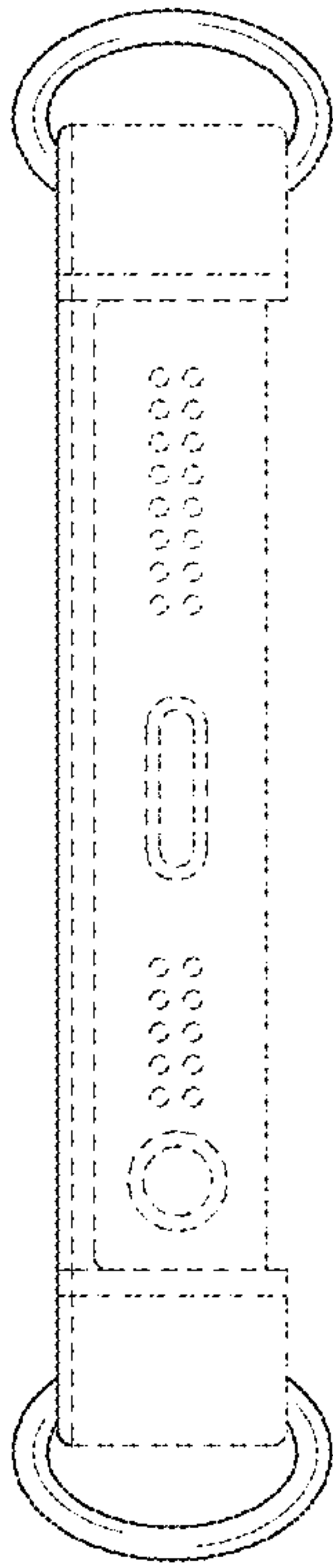


FIG. 7

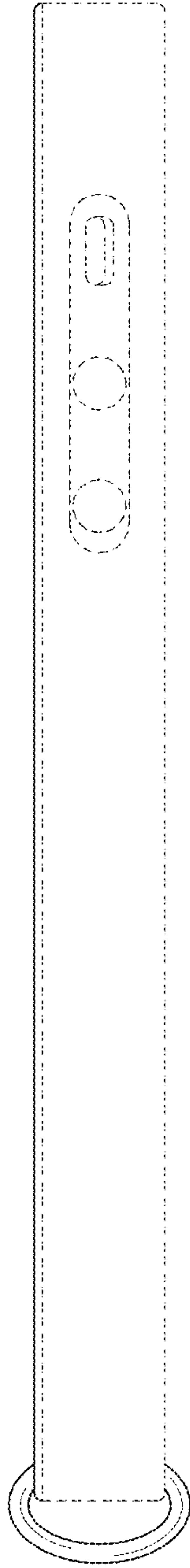


FIG. 8

