



US00D803202S

(12) **United States Design Patent**  
**Takahashi**

(10) **Patent No.:** **US D803,202 S**

(45) **Date of Patent:** **\*\* Nov. 21, 2017**

(54) **MOBILE PHONE**

(71) Applicant: **KYOCERA Corporation**, Kyoto-shi,  
Kyoto (JP)

(72) Inventor: **Yuusuke Takahashi**, Osaka (JP)

(73) Assignee: **KYOCERA CORPORATION**,  
Kyoto-shi, Kyoto (JP)

(\*\*) Term: **15 Years**

(21) Appl. No.: **29/532,003**

(22) Filed: **Jun. 30, 2015**

(51) **LOC (10) Cl.** ..... **14-03**

(52) **U.S. Cl.**  
USPC ..... **D14/248**

(58) **Field of Classification Search**  
USPC ..... D14/138 AB, 345, 138 R, 496, 203.4,  
D14/248; 455/575.3; D21/517  
CPC . G06F 1/1616; H04M 1/0216; H04M 1/0214;  
H04M 1/03  
See application file for complete search history.

(56) **References Cited**

U.S. PATENT DOCUMENTS

D408,030 S *	4/1999	Richards	.....	D14/138 AB
D536,685 S *	2/2007	Feng	.....	D14/138 AB
D552,577 S *	10/2007	Kim	.....	D14/138 AB
D557,670 S *	12/2007	Park	.....	D14/138 AB
D563,349 S *	3/2008	Kim	.....	D14/138 AB
7,387,255 B2 *	6/2008	Kajiwara	.....	H04M 1/0216 235/472.02
D572,688 S *	7/2008	Kim	.....	D14/138 AB
D572,691 S *	7/2008	Song	.....	D14/138 AB
D573,121 S *	7/2008	Kim	.....	D14/138 AB
D573,964 S *	7/2008	Lee	.....	D14/138 AB
D573,968 S *	7/2008	Chen	.....	D14/138 AB
D576,995 S *	9/2008	Jinde	.....	D14/138 AB
D578,980 S *	10/2008	Minamide	.....	D14/138 AB
D579,892 S *	11/2008	Kim	.....	D14/138 AB

D583,787 S *	12/2008	Kim	.....	D14/138 AB
D583,792 S *	12/2008	Kim	.....	D14/138 AB
D589,481 S *	3/2009	Nara	.....	D14/138 AB
D590,795 S *	4/2009	Tkachuk	.....	D14/138 AB
D593,053 S *	5/2009	Kim	.....	D14/138 AB
D602,896 S *	10/2009	Finney	.....	D14/138 AB
D609,684 S *	2/2010	Nara	.....	D14/138 AB

(Continued)

FOREIGN PATENT DOCUMENTS

JP 1512175 S 11/2014

OTHER PUBLICATIONS

Kyocera DuraXTP, Kyocera Mobile, Published on Jan. 18, 2016,  
[online]. [site visited Jun. 6, 2017]. Available from Internet, <URL:  
[https://www.youtube.com/watch?v=nKw\\_dR7koG0](https://www.youtube.com/watch?v=nKw_dR7koG0)>.\*

(Continued)

*Primary Examiner* — Jeffrey D Asch

(74) *Attorney, Agent, or Firm* — Kenja IP Law PC

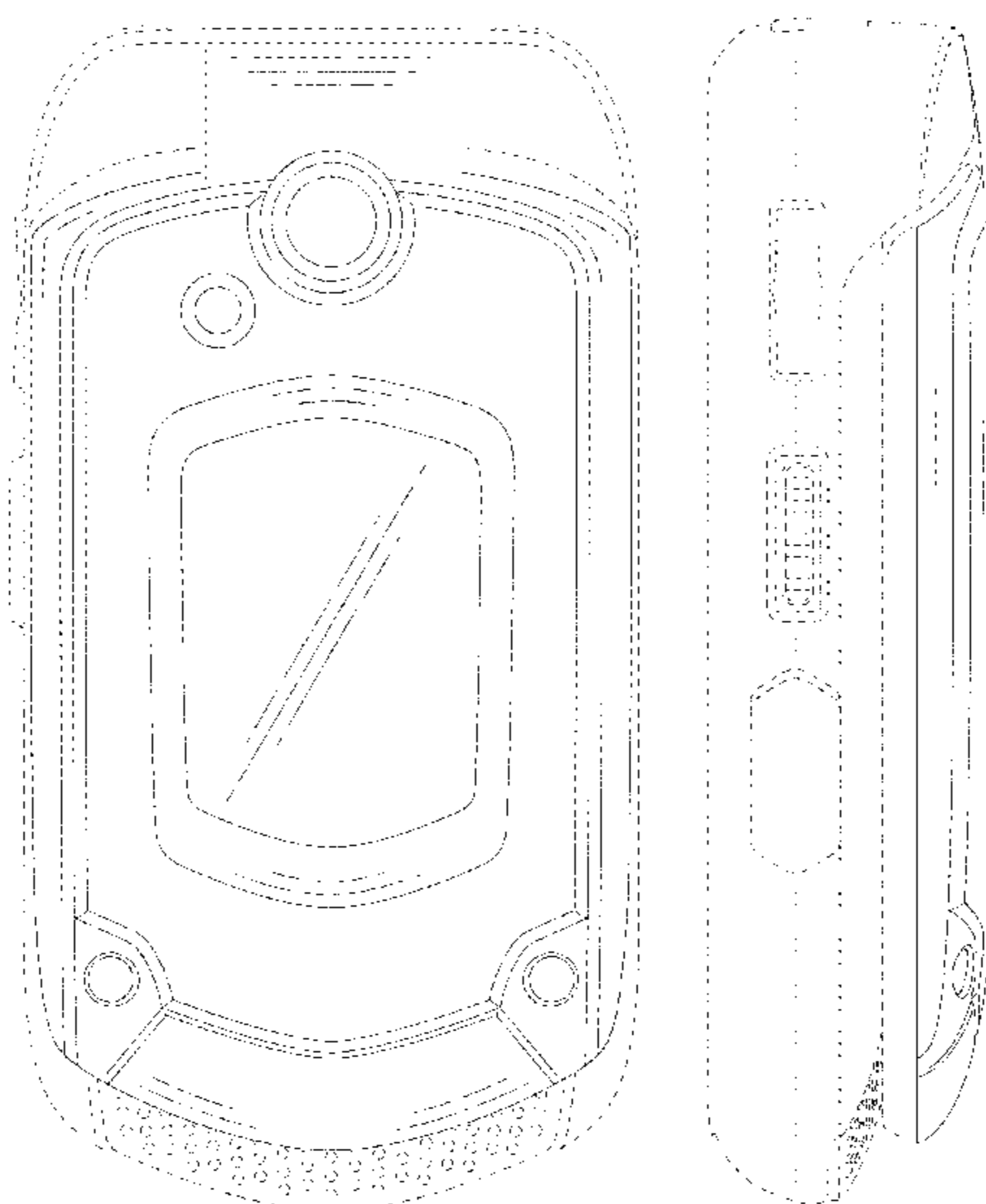
(57) **CLAIM**

The ornamental design for a mobile phone, as shown and described.

**DESCRIPTION**

FIG. 1 is a front perspective view of a mobile phone showing my new design;  
FIG. 2 is a read perspective view thereof, showing the mobile phone opened;  
FIG. 3 is a front view thereof;  
FIG. 4 is a rear view thereof;  
FIG. 5 is a top plan view thereof;  
FIG. 6 is a bottom view thereof;  
FIG. 7 is a right side view thereof; and,  
FIG. 8 is a left side view thereof.  
In the drawings, the broken lines depict environmental subject matter only and form no part of the claimed design.

**1 Claim, 8 Drawing Sheets**



(56)

References Cited

U.S. PATENT DOCUMENTS

D613,714	S	*	4/2010	Park	.....	D14/138	AB
D626,107	S	*	10/2010	Nara	.....	D14/138	AB
D627,321	S	*	11/2010	Ardinghi	.....	D14/138	AB
D629,775	S	*	12/2010	Oh	.....	D14/138	AB
D630,174	S	*	1/2011	Park	.....	D14/138	AB
D635,117	S	*	3/2011	Hirota	.....	D14/138	AB
D648,696	S	*	11/2011	Hirota	.....	D14/138	AB
D649,133	S	*	11/2011	Goto	.....	D14/138	AB
D657,340	S	*	4/2012	Hasimoto	.....	D14/138	AB
D667,386	S	*	9/2012	Park	.....	D14/138	AB
D682,240	S	*	5/2013	Hirota	.....	D14/138	AB
D709,471	S	*	7/2014	Okabe	.....	D14/138	AB
D751,524	S	*	3/2016	Nagao	.....	D14/138	AB
D777,133	S	*	1/2017	Ishii	.....	D14/138	AB
2007/0087793	A1	*	4/2007	Noma	.....	H04M 1/0214	
						455/575.3	
2012/0106106	A1	*	5/2012	Katou	.....	H04M 1/0216	
						361/752	

OTHER PUBLICATIONS

Kyocera DuraXV, Gadget TV, Published on Feb. 19, 2015, [online], [site visited Jun. 6, 2017]. Available from Internet, <URL: <https://www.youtube.com/watch?v=sF87TJWBn4>>.\*

Kyocera Durapro Rugged Flip Phone for \$1001336, Barbara Polits, Published on Feb. 9, 2014, [online], [site visited Jun. 6, 2017]. Available from Internet, <URL: <https://www.youtube.com/watch?v=GbEA0oM5JPw>>.\*

Kyocera Duramax, released Oct. 2011, [online], [site visited Jun. 5, 2017]. Available from Internet, <URL: [http://www.gsmarena.com/kyocera\\_duramax-4317.php](http://www.gsmarena.com/kyocera_duramax-4317.php)>.\*

Casio G'zOne Ravine, released Oct. 2010, [online], [site visited Jun. 5, 2017]. Available from Internet, <URL: [http://www.gsmarena.com/casio\\_g\\_zone\\_ravine-4553.php](http://www.gsmarena.com/casio_g_zone_ravine-4553.php)>.\*

Samsung E380, released Jul. 2006, [online], [site visited Jun. 5, 2017]. Available from Internet, <URL: [http://www.gsmarena.com/samsung\\_e380-1624.php](http://www.gsmarena.com/samsung_e380-1624.php)>.\*

Samsung T409, released Jun. 2007, [online], [site visited Jun. 5, 2017]. Available from Internet, <URL: [http://www.gsmarena.com/samsung\\_t409-2381.php](http://www.gsmarena.com/samsung_t409-2381.php)>.\*

Samsung P180, released 2008, [online], [site visited Jun. 5, 2017]. Available from Internet, <URL: [http://www.gsmarena.com/samsung\\_p180-2403.php](http://www.gsmarena.com/samsung_p180-2403.php)>.\*

phonearena.com, Retrieved on Jun. 10, 2015, from URL: [http://www.phonearena.com/phones/Verizon-Wireless-Casio-GzOne-Rock-C731\\_id3839](http://www.phonearena.com/phones/Verizon-Wireless-Casio-GzOne-Rock-C731_id3839).

phonearena.com Retrieved on Jun. 10, 2015, from URL: [http://www.phonearena.com/phones/Motorola-Quantico\\_id4234](http://www.phonearena.com/phones/Motorola-Quantico_id4234) samsuna.com.

phonearena.com, Retrieved on Jun. 10, 2015, from URL: [http://www.phonearena.com/phones/Verizon-Wireless-Casio-GzOne-Ravine\\_id4850](http://www.phonearena.com/phones/Verizon-Wireless-Casio-GzOne-Ravine_id4850).

phonearena.com, Retrieved on Jun. 10, 2015, from URL: [http://www.phonearena.com/phones/Verizon-Wireless-Casio-GzOne-Rock-C731\\_jd3839](http://www.phonearena.com/phones/Verizon-Wireless-Casio-GzOne-Rock-C731_jd3839).

phonearena.com, Retrieved on Jun. 10, 2015, from URL: [http://www.phonearena.com/phones/Verizon-Wireless-GzOne-Boulder\\_id2844](http://www.phonearena.com/phones/Verizon-Wireless-GzOne-Boulder_id2844).

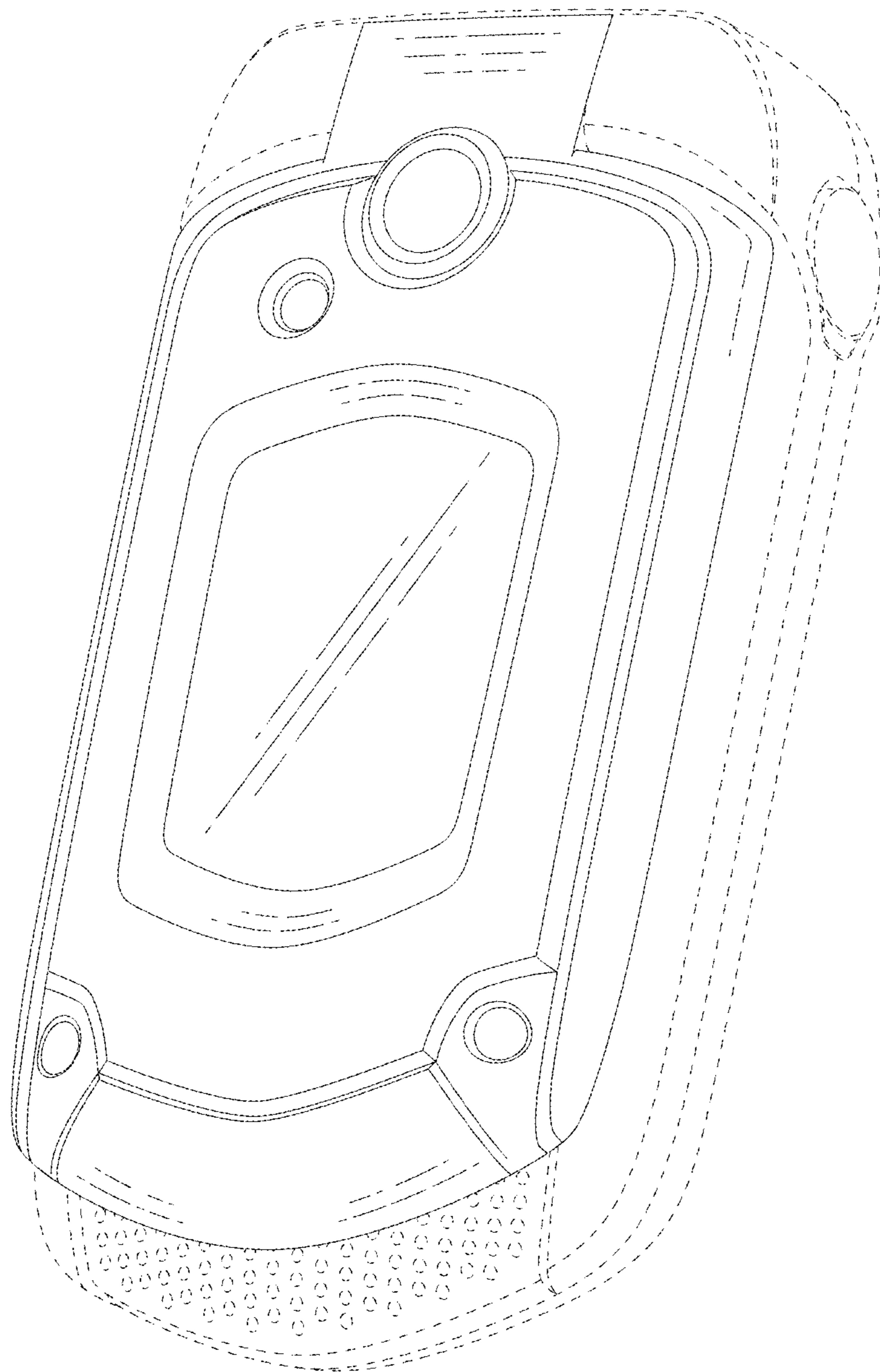
phonearena.com Retrieved on Jun. 10, 2015, from URL: [http://www.phonearena.com/phones/Motorola-Quantico\\_id4234](http://www.phonearena.com/phones/Motorola-Quantico_id4234).

“Samsung Convoy 3” Web page <<http://www.samsung.com/us/mobile/cell-phones/SCH-U680MAAVZW>>, retrieved on Jun. 29, 2015, as archived at Internet Archive Wayback Machine <<https://web.archive.org/web/20150627144626/www.samsung.com/us/mobile/cell-phones/SCH-U680MAAVZW>>.

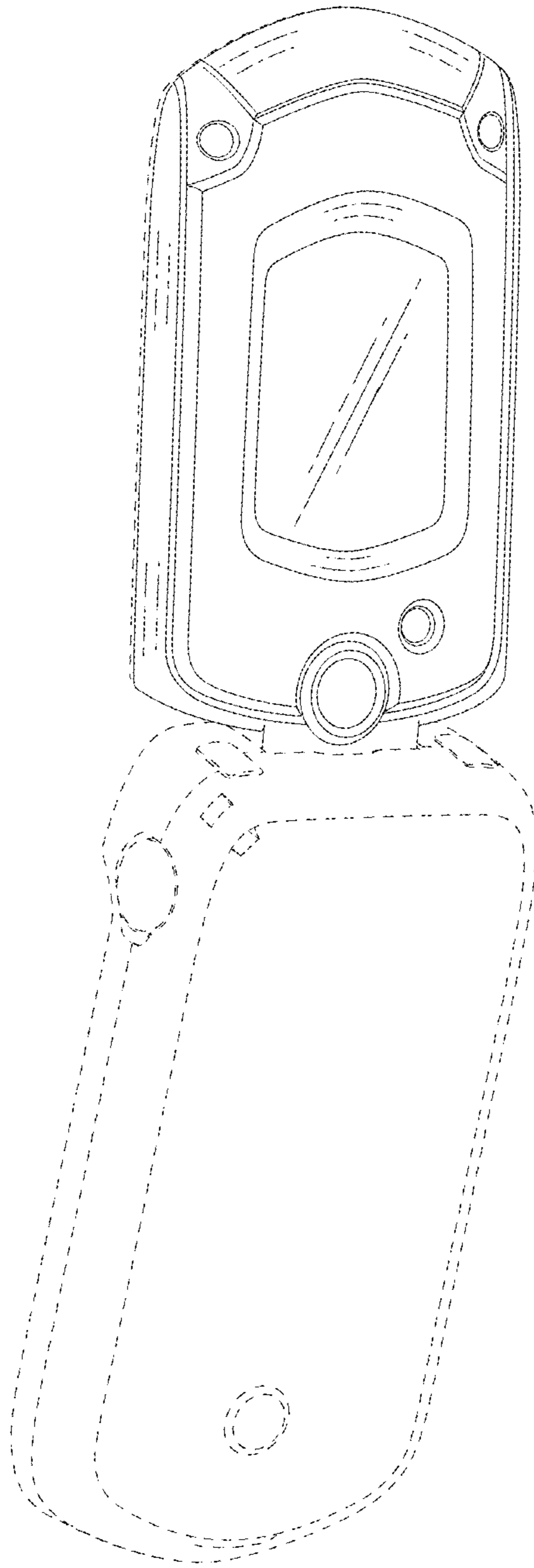
Design U.S. Appl. No. 29/494,526, filed Jun. 20, 2014 in the name of Tomomi NAGAO, entitled “Portable Terminal”.

\* cited by examiner

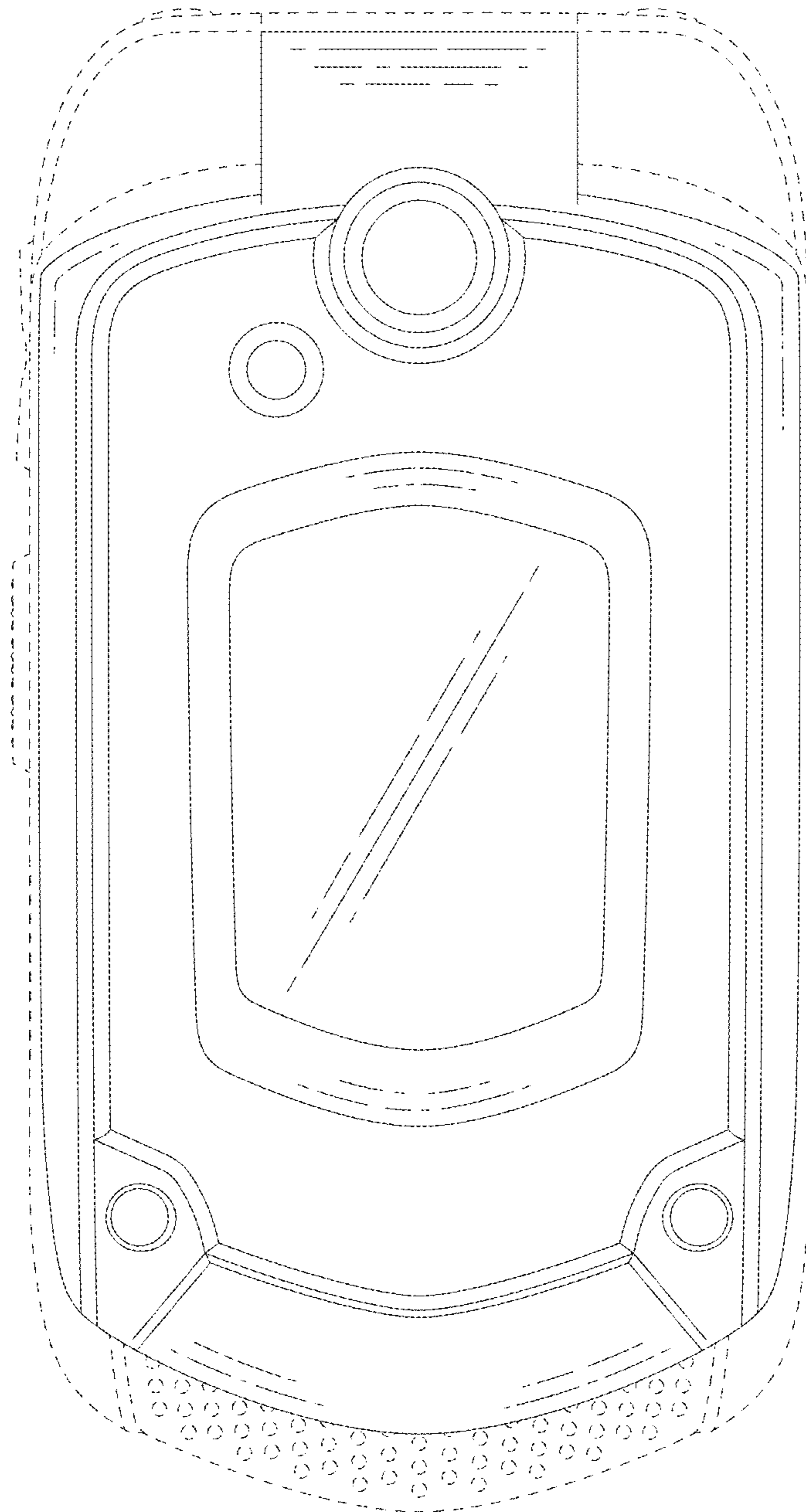
*FIG. 1*



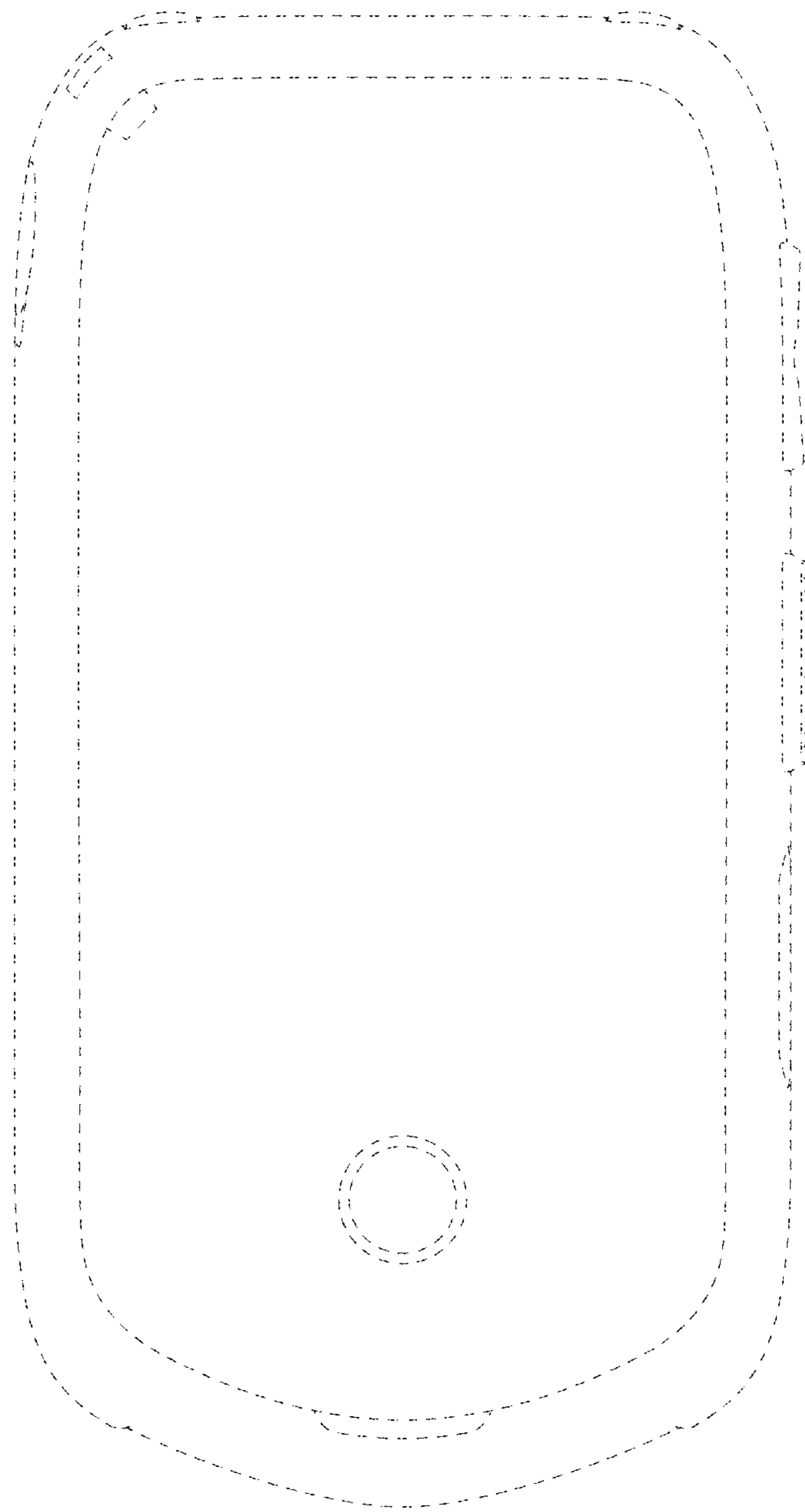
*FIG. 2*



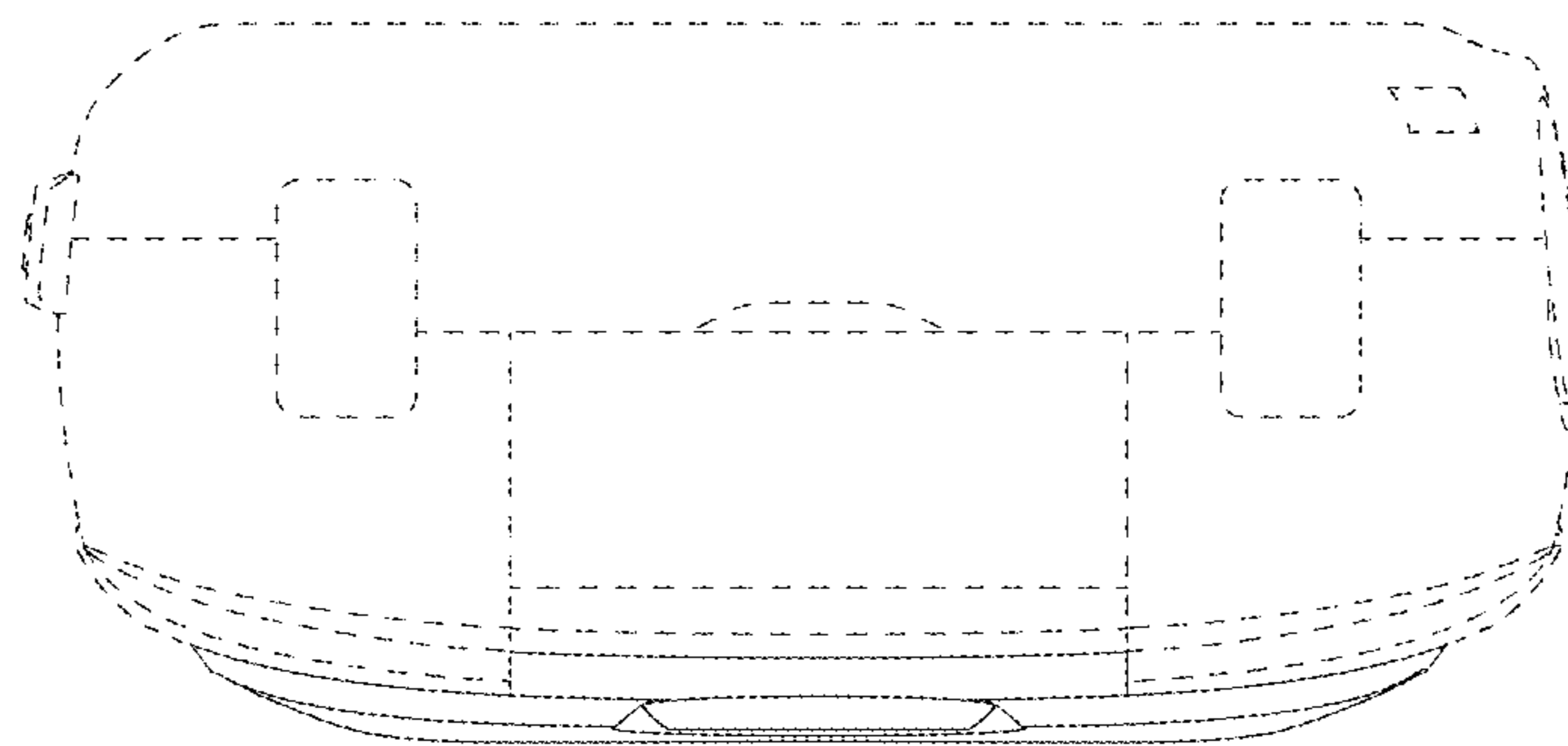
*FIG. 3*



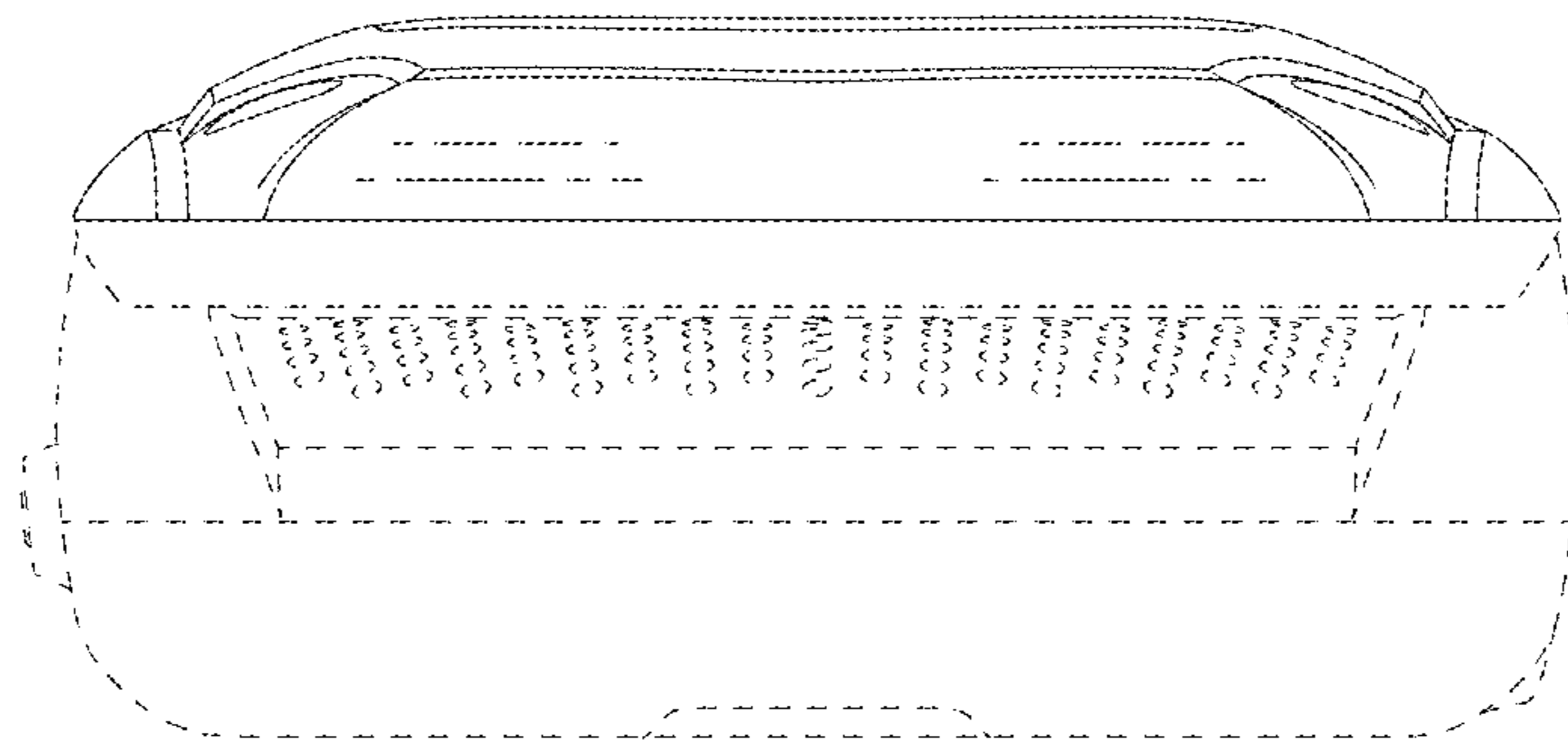
*FIG. 4*



*FIG. 5*

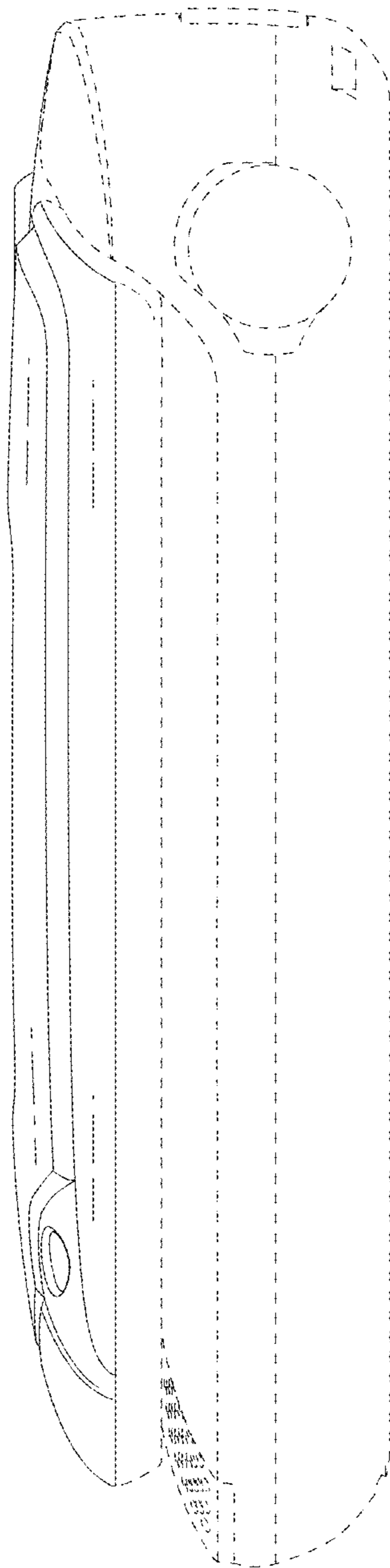


*FIG. 6*





*FIG. 7*



*FIG. 8*

