



US00D803198S

(12) **United States Design Patent** (10) **Patent No.:** **US D803,198 S**
He et al. (45) **Date of Patent:** **** Nov. 21, 2017**

- (54) **ANTENNA**
- (71) Applicant: **Airgain Incorporated**, San Diego, CA (US)
- (72) Inventors: **Ziming He**, Irvine, CA (US); **Nando Hunt**, San Diego, CA (US)
- (73) Assignee: **Airgain Incorporated**, San Diego, CA (US)
- (**) Term: **15 Years**
- (21) Appl. No.: **29/580,643**
- (22) Filed: **Oct. 11, 2016**
- (51) **LOC (10) Cl.** **14-03**
- (52) **U.S. Cl.**
USPC **D14/230**
- (58) **Field of Classification Search**
USPC D12/42, 43; D14/138, 230-238.1, 240, D14/299, 358
CPC H01L 33/48; H01L 23/02; H01Q 7/00; H01Q 13/10
See application file for complete search history.

- D606,053 S 12/2009 Wu et al.
- D607,442 S 1/2010 Su et al.
- D608,769 S 1/2010 Bufe
- D612,368 S 3/2010 Yang et al.
- 7,705,783 B2 4/2010 Rao et al.
- 7,729,662 B2 6/2010 Abramov et al.
- D621,819 S 8/2010 Tsai et al.
- 7,843,390 B2 11/2010 Liu
- D633,483 S 3/2011 Su et al.
- D635,127 S 3/2011 Tsai et al.
- 7,907,971 B2 3/2011 Salo et al.
- D635,560 S 4/2011 Tsai et al.
- D635,963 S 4/2011 Podduturi
- D635,964 S 4/2011 Podduturi
- D635,965 S 4/2011 Mi et al.
- D636,382 S 4/2011 Podduturi
- 7,965,242 B2 6/2011 Abramov et al.
- D649,962 S 12/2011 Tseng et al.

(Continued)

Primary Examiner — John Windmuller
Assistant Examiner — Benjamin Weeks
(74) *Attorney, Agent, or Firm* — Clause Eight IPS; Michael Catania

(57) **CLAIM**

The ornamental design for an antenna, as shown and described.

DESCRIPTION

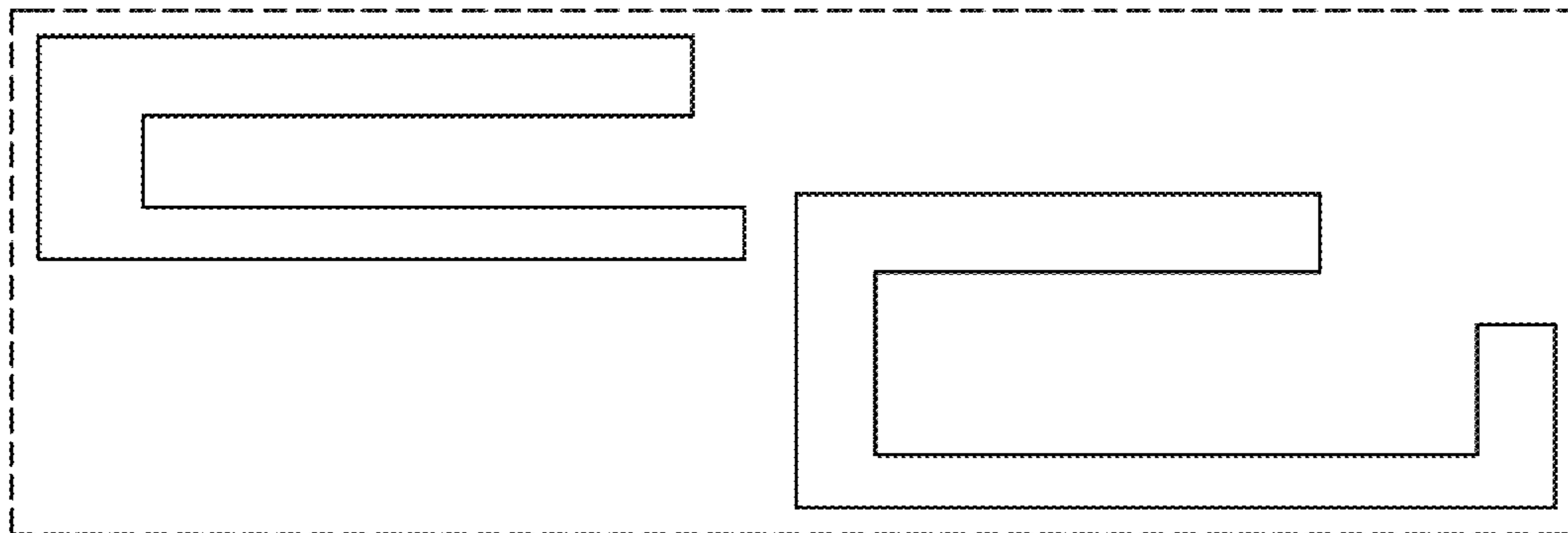
FIG. 1 is a top plan view of an antenna with a base in broken lines.
FIG. 2 is a side elevation view of the antenna of FIG. 1.
FIG. 3 is a side elevation view of the antenna of FIG. 1.
FIG. 4 is a front elevation view of the antenna of FIG. 1.
FIG. 5 is a rear elevation view of the antenna of FIG. 1.
FIG. 6 is a top perspective view of the antenna of FIG. 1; and,
FIG. 7 is a top perspective view of the antenna of FIG. 1.
The broken lines are for illustration purposes only and form no part of the claimed invention.

1 Claim, 1 Drawing Sheet

(56) **References Cited**

U.S. PATENT DOCUMENTS

7,061,437 B2	6/2006	Lin et al.
7,148,849 B2	12/2006	Lin
7,215,296 B2	5/2007	Abramov et al.
D546,821 S	7/2007	Oliver
D549,696 S	8/2007	Oshima et al.
7,333,067 B2	2/2008	Hung et al.
7,336,959 B2	2/2008	Khitrik et al.
D573,589 S	7/2008	Montgomery et al.
7,405,704 B1	7/2008	Lin et al.
7,477,195 B2	1/2009	Vance
D592,195 S	5/2009	Wu et al.
7,570,215 B2	8/2009	Abramov et al.
D599,334 S	9/2009	Chiang



(56)

References Cited

U.S. PATENT DOCUMENTS

D651,198 S 12/2011 Mi et al.
 D654,059 S 2/2012 Mi et al.
 D654,060 S 2/2012 Ko et al.
 D658,639 S 5/2012 Huang et al.
 D659,129 S 5/2012 Mi et al.
 D659,685 S 5/2012 Huang et al.
 D659,688 S 5/2012 Huang et al.
 8,175,036 B2 5/2012 Visuri et al.
 8,184,601 B2 5/2012 Abramov et al.
 D662,916 S 7/2012 Huang et al.
 8,248,970 B2 8/2012 Abramov et al.
 D671,097 S 11/2012 Mi et al.
 8,310,402 B2 11/2012 Yang
 D676,429 S 2/2013 Gosalia et al.
 D678,255 S 3/2013 Ko et al.
 8,423,084 B2 4/2013 Abramov et al.
 D684,565 S 6/2013 Wei
 D685,352 S 7/2013 Wei
 D685,772 S 7/2013 Zheng et al.
 D686,600 S 7/2013 Yang
 D689,474 S 9/2013 Yang et al.
 D690,289 S * 9/2013 Zuniga D14/230
 D692,870 S 11/2013 He
 D694,738 S 12/2013 Yang
 D695,279 S 12/2013 Yang et al.
 D695,280 S 12/2013 Yang et al.
 D703,195 S 4/2014 Zheng
 D703,196 S 4/2014 Zheng
 D706,247 S 6/2014 Zheng et al.
 D706,750 S 6/2014 Bringuir
 D706,751 S 6/2014 Chang et al.

D708,602 S 7/2014 Gosalia et al.
 D709,053 S 7/2014 Chang et al.
 D710,832 S 8/2014 Yang
 D710,833 S 8/2014 Zheng et al.
 8,854,265 B1 10/2014 Yang et al.
 D716,743 S * 11/2014 Hu D13/182
 D716,775 S 11/2014 Bidermann
 D717,282 S * 11/2014 Forster D14/230
 9,019,163 B2 * 4/2015 Asanuma H01Q 9/42
 343/702
 D750,049 S * 2/2016 Podduturi D14/230
 D772,849 S * 11/2016 Chen D14/230
 D788,086 S * 5/2017 He D14/230
 D796,493 S * 9/2017 Podduturi D14/230
 9,755,302 B2 * 9/2017 Flores-Cuadras H01Q 1/38
 2002/0003499 A1 1/2002 Kouam et al.
 2004/0222936 A1 11/2004 Hung et al.
 2005/0073462 A1 4/2005 Lin et al.
 2005/0190108 A1 9/2005 Lin et al.
 2006/0208900 A1 9/2006 Tavassoli Hozouri
 2007/0030203 A1 2/2007 Tsai et al.
 2008/0150829 A1 6/2008 Lin et al.
 2009/0002244 A1 1/2009 Woo
 2009/0058739 A1 3/2009 Konishi
 2009/0135072 A1 5/2009 Ke et al.
 2009/0262028 A1 10/2009 Murnbru et al.
 2010/0188297 A1 7/2010 Chen et al.
 2010/0309067 A1 12/2010 Tsou et al.
 2011/0006950 A1 1/2011 Park et al.
 2012/0038514 A1 2/2012 Bang
 2012/0229348 A1 9/2012 Chiang
 2012/0242546 A1 9/2012 Hu et al.
 2016/0233576 A1 * 8/2016 Li H01Q 1/243

* cited by examiner

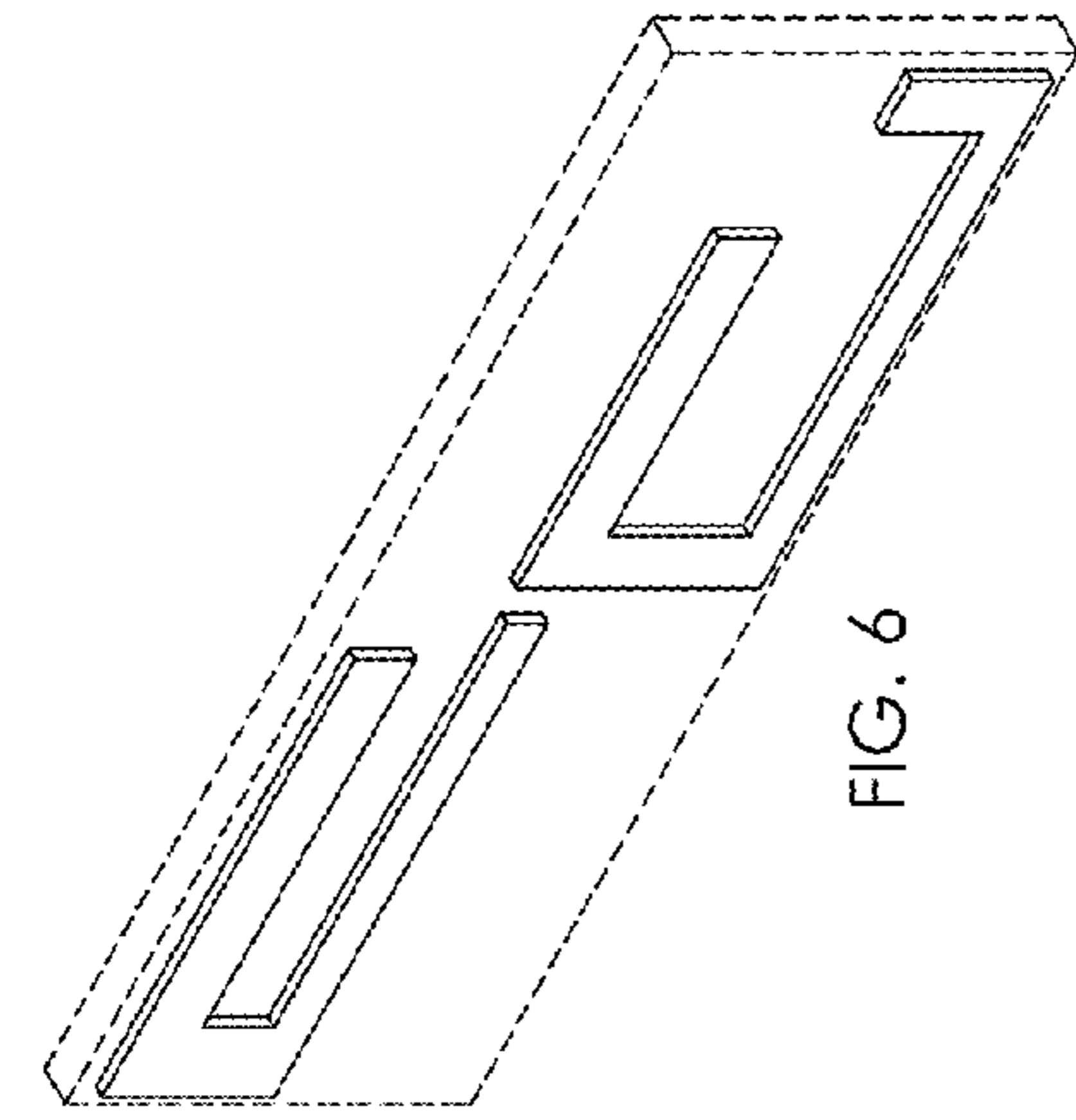


FIG. 6

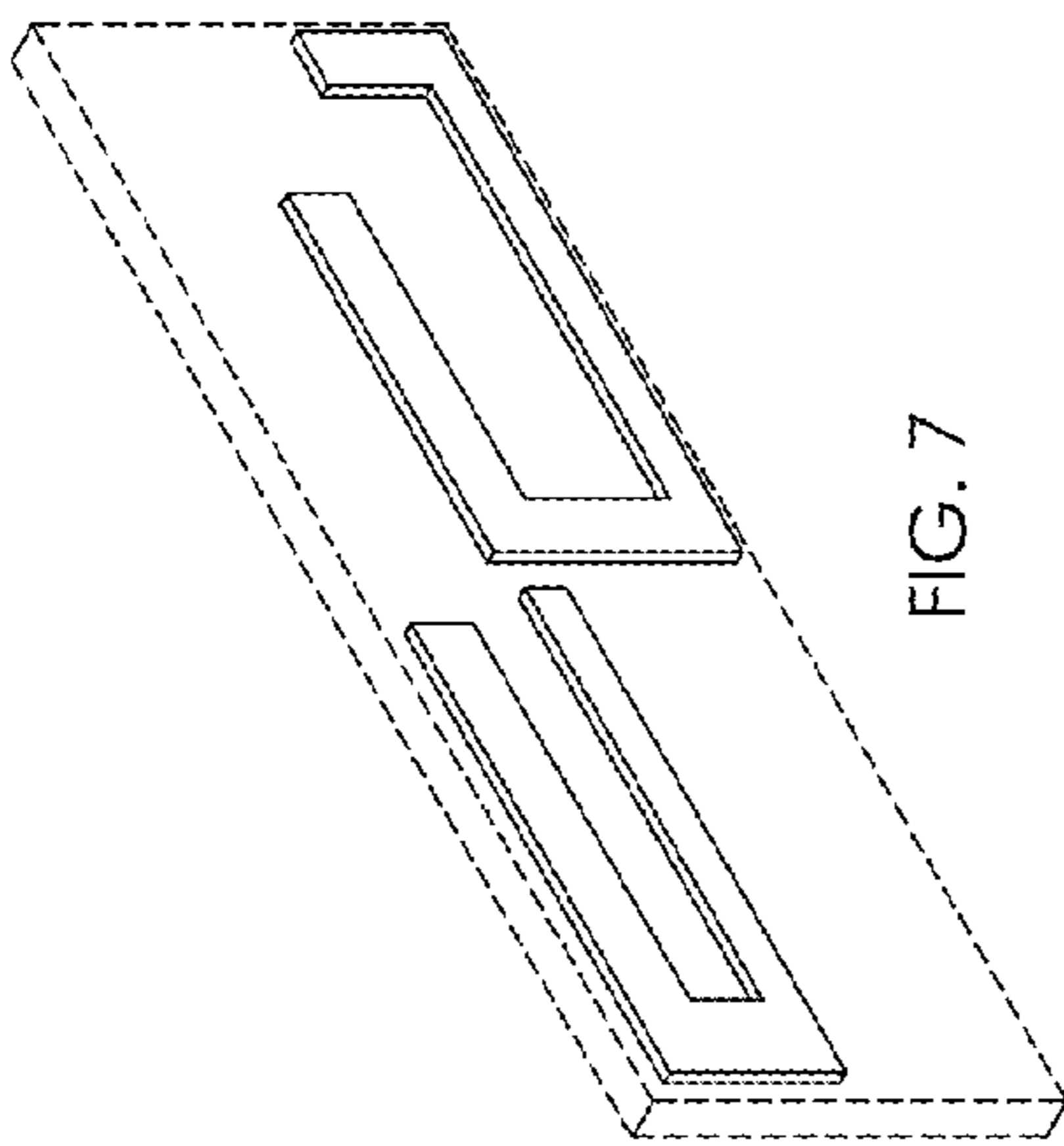


FIG. 7

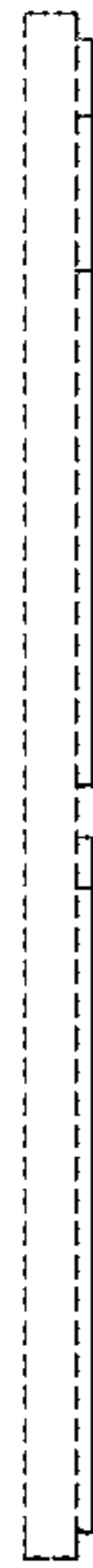


FIG. 5

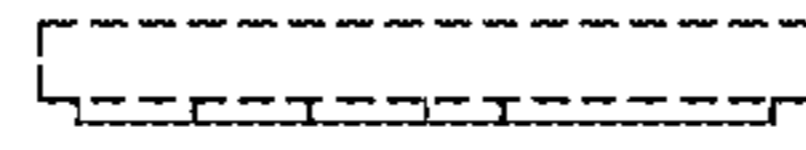


FIG. 2

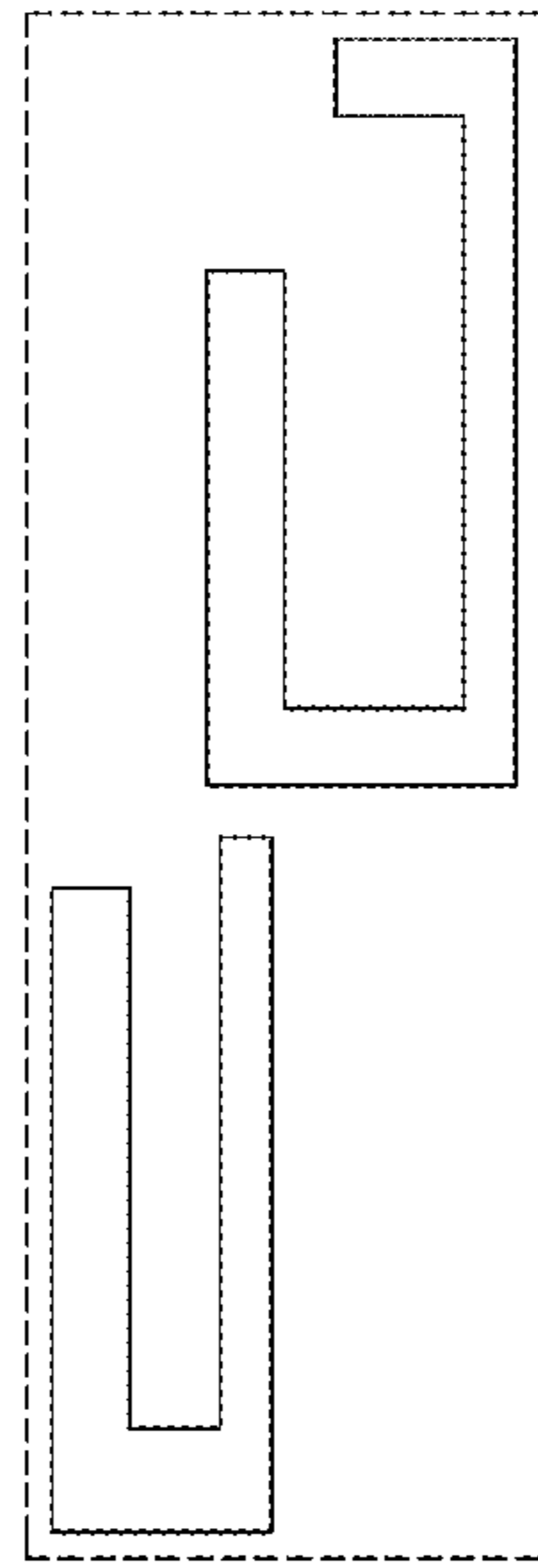


FIG. 1

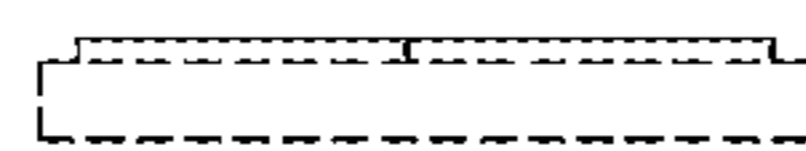


FIG. 3

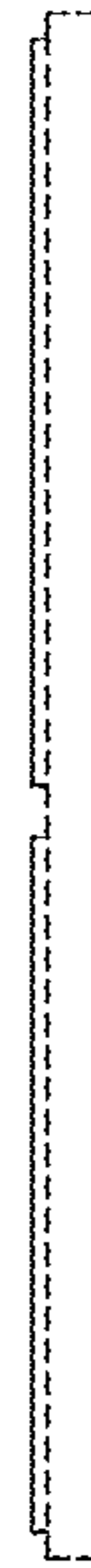


FIG. 4