



US00D803197S

(12) **United States Design Patent** (10) **Patent No.:** **US D803,197 S**  
**He et al.** (45) **Date of Patent:** **\*\* Nov. 21, 2017**

- (54) **SET OF ANTENNAS**
- (71) Applicant: **Airgain Incorporated**, San Diego, CA (US)
- (72) Inventors: **Ziming He**, Irvine, CA (US); **Nando Hunt**, San Diego, CA (US)
- (73) Assignee: **Airgain Incorporated**, San Diego, CA (US)
- (\*\*) Term: **15 Years**
- (21) Appl. No.: **29/580,642**
- (22) Filed: **Oct. 11, 2016**
- (51) **LOC (10) Cl.** ..... **14-03**
- (52) **U.S. Cl.**  
USPC ..... **D14/230**
- (58) **Field of Classification Search**  
USPC ..... D14/138, 230-238, 299, 358; D12/42, D12/43; 343/700 R-705, 711-713, 735, 343/736, 741, 748, 767, 795, 819, 840, 343/846, 866, 871-908; 455/90.2, 90.3, 455/91, 128, 269, 344, 347, 562.1  
CPC ..... H01Q 7/00; H01Q 13/10; H01Q 9/285; H01Q 19/30; H01Q 19/12; H01Q 1/38; H01Q 1/36; H04B 1/0475; H04B 1/034; H05K 11/00  
See application file for complete search history.

- D549,696 S 8/2007 Oshima et al.
- 7,333,067 B2 2/2008 Flung et al.
- 7,336,959 B2 2/2008 Khitrik et al.
- D573,589 S 7/2008 Montgomery et al.
- 7,405,704 B1 8/2008 Lin et al.
- 7,477,195 B2 1/2009 Vance
- D592,195 S 5/2009 Wu et al.
- 7,570,215 B2 8/2009 Abramov et al.
- D599,334 S 9/2009 Chiang
- D606,053 S 12/2009 Wu et al.
- D607,442 S 1/2010 Su et al.
- D608,769 S 1/2010 Bufe
- D612,368 S 3/2010 Yang et al.
- 7,705,783 B2 4/2010 Rao et al.
- 7,729,662 B2 6/2010 Abramov et al.
- D621,819 S 8/2010 Tsai et al.
- 7,843,390 B2 11/2010 Liu
- D633,483 S 3/2011 Su et al.
- D635,127 S 3/2011 Tsai et al.

(Continued)

*Primary Examiner* — John Windmuller  
(74) *Attorney, Agent, or Firm* — Clause Eight IPS; Michael Catania

(57) **CLAIM**

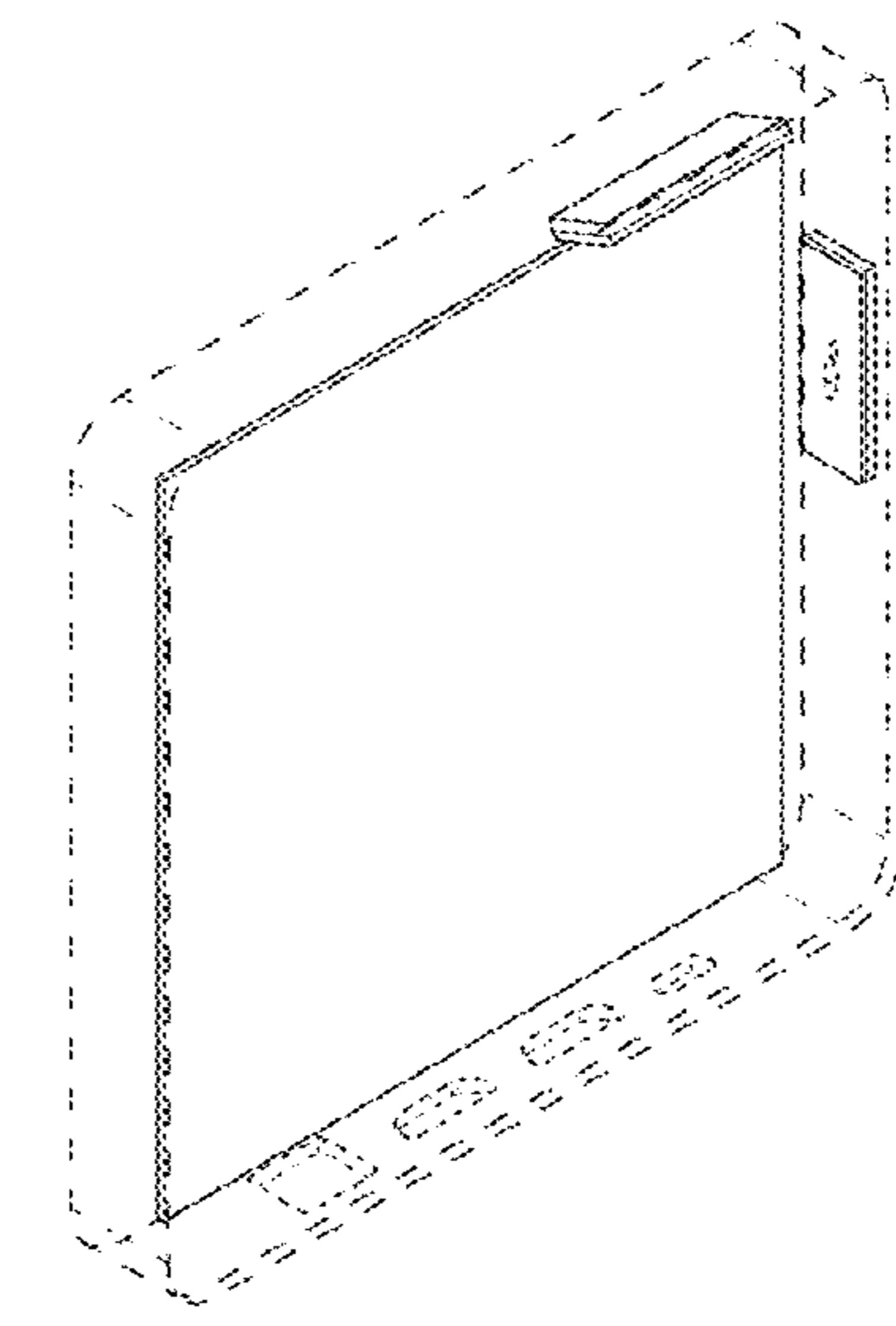
The ornamental design for a set of antennas, as shown and described.

**DESCRIPTION**

FIG. 1 is a top plan view of a set of antennas showing our new design;  
FIG. 2 is a side elevation view thereof;  
FIG. 3 is a side elevation view thereof;  
FIG. 4 is front elevation view thereof;  
FIG. 5 is a rear elevation view thereof;  
FIG. 6 is a top perspective view thereof; and,  
FIG. 7 is a top perspective view thereof.  
The broken lines in the drawings represent environment that forms no part of the claimed design.

**1 Claim, 5 Drawing Sheets**

- (56) **References Cited**  
U.S. PATENT DOCUMENTS  
4,319,249 A \* 3/1982 Evans ..... H01Q 21/062 343/703  
6,204,819 B1 \* 3/2001 Hayes ..... H01Q 1/243 343/700 MS  
7,061,437 B2 6/2006 Lin et al.  
7,148,849 B2 12/2006 Lin  
7,215,296 B2 \* 5/2007 Abramov ..... H01Q 3/24 343/834  
D546,821 S 7/2007 Oliver



(56)

References Cited

U.S. PATENT DOCUMENTS

7,907,971 B2	3/2011	Salo et al.			
D635,560 S	4/2011	Tsai et al.			
D635,963 S	4/2011	Poddaturi			
D635,964 S	4/2011	Poddaturi			
D635,965 S	4/2011	Mi et al.			
D636,382 S	4/2011	Poddaturi			
7,965,242 B2	6/2011	Abramov et al.			
D649,962 S	12/2011	Tseng et al.			
D651,198 S	12/2011	Mi et al.			
D654,059 S	2/2012	Mi et al.			
D654,060 S	2/2012	Ko et al.			
D658,639 S	5/2012	Huang et al.			
D659,129 S	5/2012	Mi et al.			
D659,685 S	5/2012	Huang et al.			
D659,688 S	5/2012	Huang et al.			
8,175,036 B2	5/2012	Visuri et al.			
8,184,601 B2	5/2012	Abramov et al.			
D662,916 S	7/2012	Huang et al.			
8,248,970 B2	8/2012	Abramov et al.			
D671,097 S	11/2012	Mi et al.			
8,310,402 B2	11/2012	Yang			
D676,429 S	2/2013	Gosalia et al.			
D678,255 S	3/2013	Ko et al.			
8,390,519 B2 *	3/2013	Wang .....	H01Q 1/243		
			343/700 MS		
8,416,137 B2 *	4/2013	Kitchener .....	H01Q 1/48		
			343/700 MS		
8,423,084 B2	4/2013	Abramov et al.			
D684,565 S	6/2013	Wei			
D685,352 S	7/2013	Wei			
D685,772 S	7/2013	Zheng et al.			
D686,600 S	7/2013	Yang			
D689,474 S	9/2013	Yang et al.			
D692,870 S	11/2013	He			
D694,738 S	12/2013	Yang			
D695,279 S	12/2013	Yang et al.			
D695,280 S	12/2013	Yang et al.			
8,654,030 B1	2/2014	Mercer			
D703,195 S	4/2014	Zheng			
D703,196 S	4/2014	Zheng			
D706,247 S	6/2014	Zheng et al.			
D706,750 S	6/2014	Bringuir			
D706,751 S *	6/2014	Chang .....	D14/230		
D707,663 S *	6/2014	Poddaturi .....	D14/230		
D708,602 S	7/2014	Gosalia et al.			
D709,053 S	7/2014	Chang et al.			
D710,832 S	8/2014	Yang			
D710,833 S	8/2014	Zheng et al.			
8,854,265 B1 *	10/2014	Yang .....	H01Q 9/045		
			343/700 MS		
D716,775 S	11/2014	Bidermann			
D733,104 S *	6/2015	Yang .....	D14/230		
9,077,077 B2 *	7/2015	Wong .....	H01Q 1/243		
D751,535 S *	3/2016	Poddaturi .....	D14/230		
D754,108 S *	4/2016	Yang .....	D14/230		
9,432,070 B2	8/2016	Mercer			
2002/0003499 A1	1/2002	Kouam et al.			
2003/0189519 A1 *	10/2003	Rutfors .....	H01Q 1/243		
			343/702		
2004/0222936 A1	11/2004	Hung et al.			
2005/0001768 A1 *	1/2005	Sekiguchi .....	H01Q 9/0421		
			343/700 MS		
2005/0073462 A1	4/2005	Lin et al.			
2005/0190108 A1	9/2005	Lin et al.			
2006/0208900 A1	9/2006	Tavassoli Hozouri			
2007/0030203 A1	2/2007	Tsai et al.			
2008/0150829 A1	6/2008	Lin et al.			
2009/0002244 A1	1/2009	Woo			
2009/0058739 A1	3/2009	Konishi			
2009/0135072 A1	5/2009	Ke et al.			
2009/0262028 A1 *	10/2009	Mumbru .....	H01Q 5/371		
			343/702		
2010/0188297 A1	7/2010	Chen et al.			
2010/0309067 A1	12/2010	Tsou et al.			
2011/0006950 A1	1/2011	Park et al.			
2012/0038514 A1	2/2012	Bang			
2012/0229348 A1	9/2012	Chiang			
2012/0242546 A1	9/2012	Hu et al.			
2013/0021211 A1 *	1/2013	Komaki .....	H01Q 1/243		
			343/700 MS		

\* cited by examiner

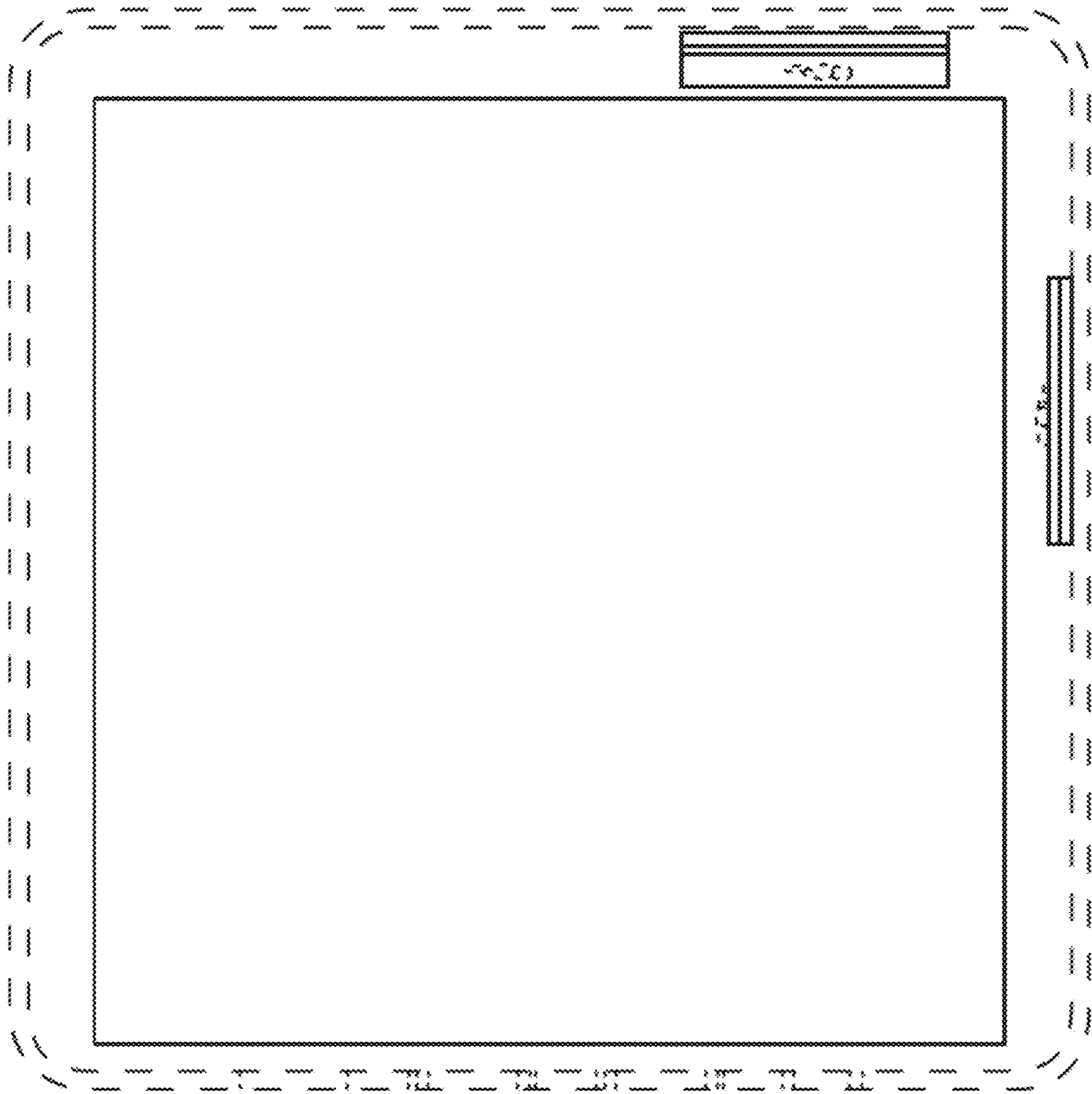


FIG. 1

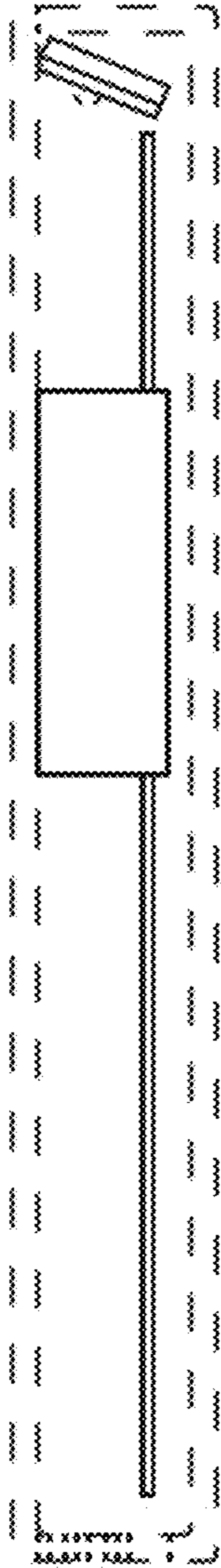


FIG. 2

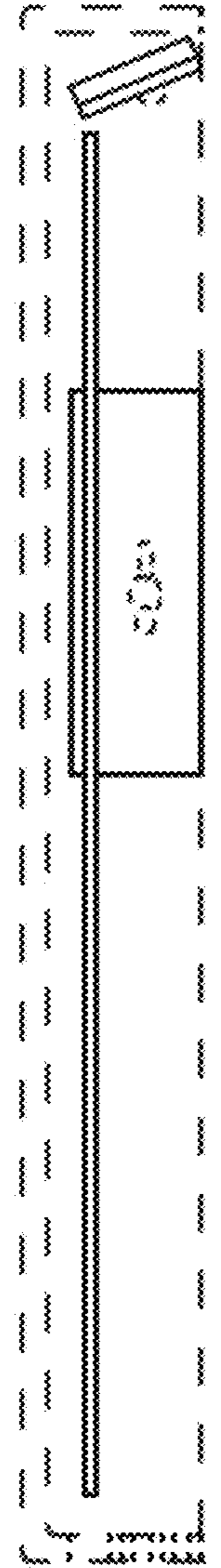


FIG. 3

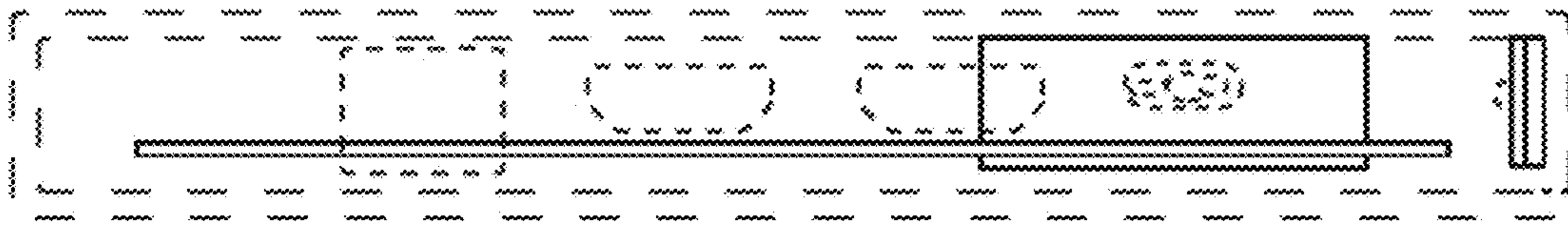


FIG. 4



FIG. 5

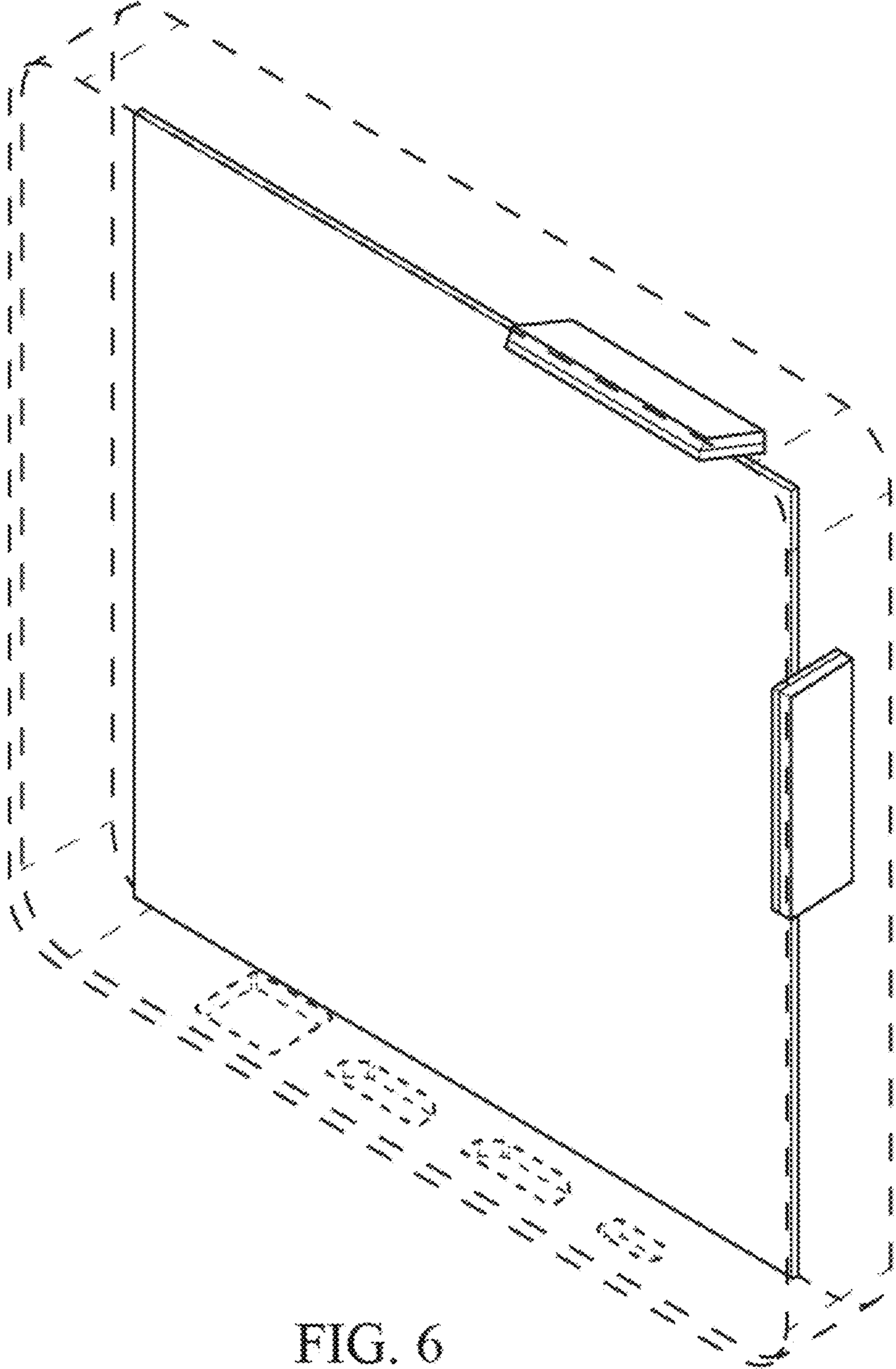


FIG. 6

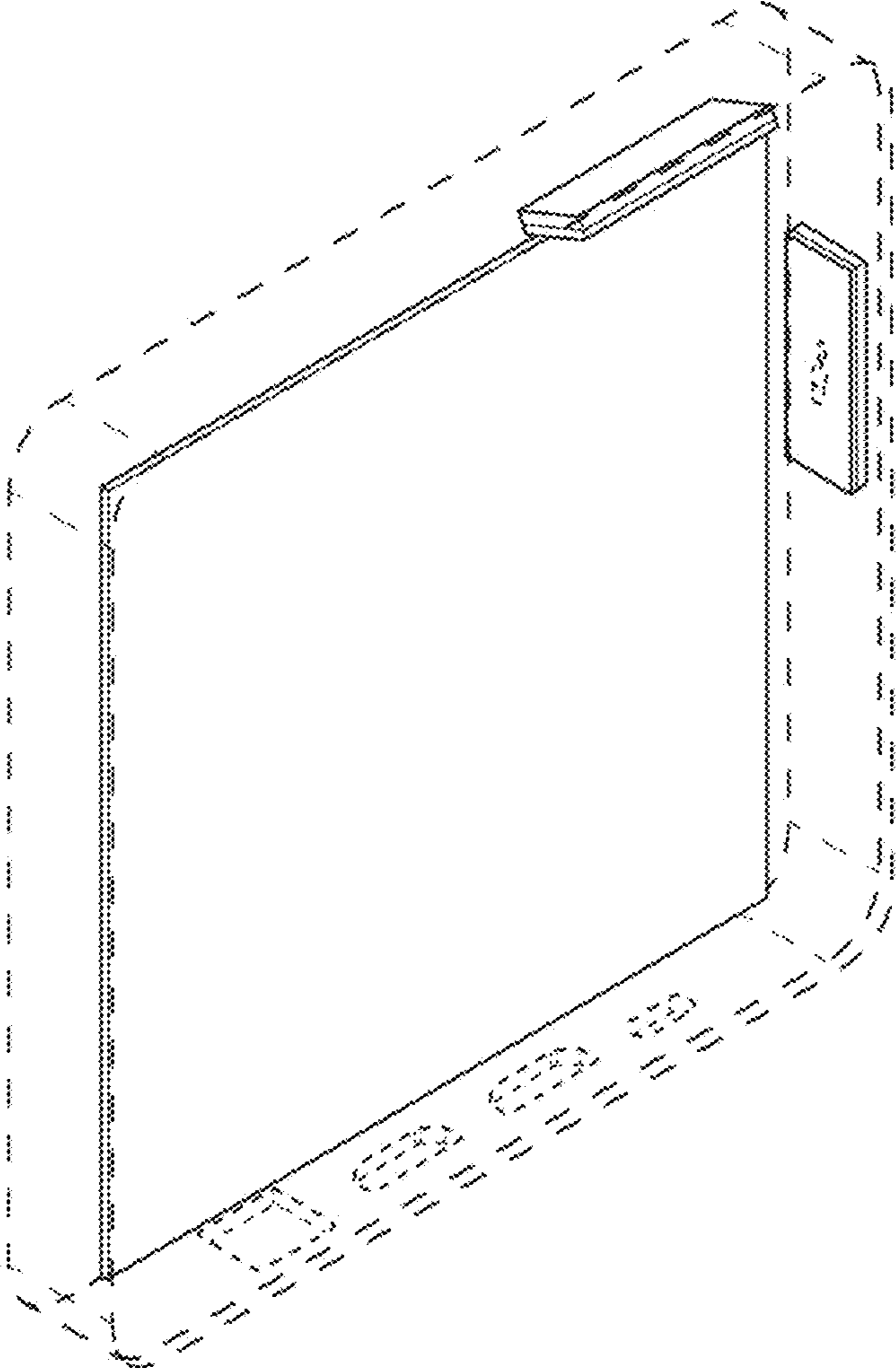


FIG. 7