



US00D803196S

(12) **United States Design Patent** (10) **Patent No.:** **US D803,196 S**
Quinlan et al. (45) **Date of Patent:** **** Nov. 21, 2017**

(54) **DUAL FIN ANTENNA**

(71) Applicant: **TAOGLAS GROUP HOLDINGS,**
Enniscorthy (IE)

(72) Inventors: **Ronan Quinlan,** Dublin (IE); **Dermot O'Shea,** La Jolla, CA (US)

(73) Assignee: **TAOGLAS GROUP HOLDINGS LIMITED,** Enniscorthy (IE)

(**) Term: **15 Years**

(21) Appl. No.: **29/540,619**

(22) Filed: **Sep. 25, 2015**

(51) **LOC (10) Cl.** **14-03**

(52) **U.S. Cl.**

USPC **D14/230**

(58) **Field of Classification Search**

USPC D14/138, 230–238.1, 299, 358;
D12/42–43, 345, 400; D13/182; D8/396;
248/68.1; 343/711–713, 700 R–705, 819,
343/871–908, 795, 840, 841, 846, 725;
D6/682; D22/147; D25/67; 455/91,
455/128, 269, 345, 562.1, 575.9
CPC F16L 3/2235; F16L 3/227; F16L 3/221;
Y10T 403/7141; H01L 33/48; H01L
33/486; H01L 23/02; H05K 5/00; H05K
11/00; H01Q 13/10; H01Q 7/00; H01Q
9/285; H01Q 19/30; H01Q 19/12; H01Q
1/38; H01Q 1/42; H01Q 1/28; H01Q
1/3275; H01Q 1/1235; H01Q 1/1228;
H01Q 1/1207; H01Q 1/52; H01Q 1/281;
H01Q 1/08; H01Q 1/1242; H01Q 1/125;
H01Q 21/06; H01Q 1/32; H01Q 1/24;
H01Q 1/36; B64C 7/00; B64G 1/222;
E04B 1/3441; E04B 1/1903; E04G 11/48;
E04G 7/14; E04C 3/005; E04C 3/08;
A63B 1/00; C04B 35/584; F41H 11/02;
F42B 15/34; G01C 21/005

See application file for complete search history.

(56) **References Cited**

U.S. PATENT DOCUMENTS

D461,796 S 8/2002 Boyer
D465,480 S 11/2002 Boyer
7,239,281 B2 7/2007 Lu

(Continued)

FOREIGN PATENT DOCUMENTS

CA 2831022 A1 9/2012
CN 303415635 10/2015

(Continued)

OTHER PUBLICATIONS

Launch of Raptor Series Shark Fin Antennas, posted at rf-design.co.za/taoglas, posted Feb. 25, 2016, © 2017 rf-design.co.za/taoglas [online], [site visited Jan. 12, 2017]. Available from Internet, <URL: http://http://rf-design.co.za/taoglaslaunches-lpwa-antenna-range/>.*

Primary Examiner — Catherine Tuttle

Assistant Examiner — Mary Malley

(74) *Attorney, Agent, or Firm* — Shartsis Friese LLP;
Cecily Anne O'Regan

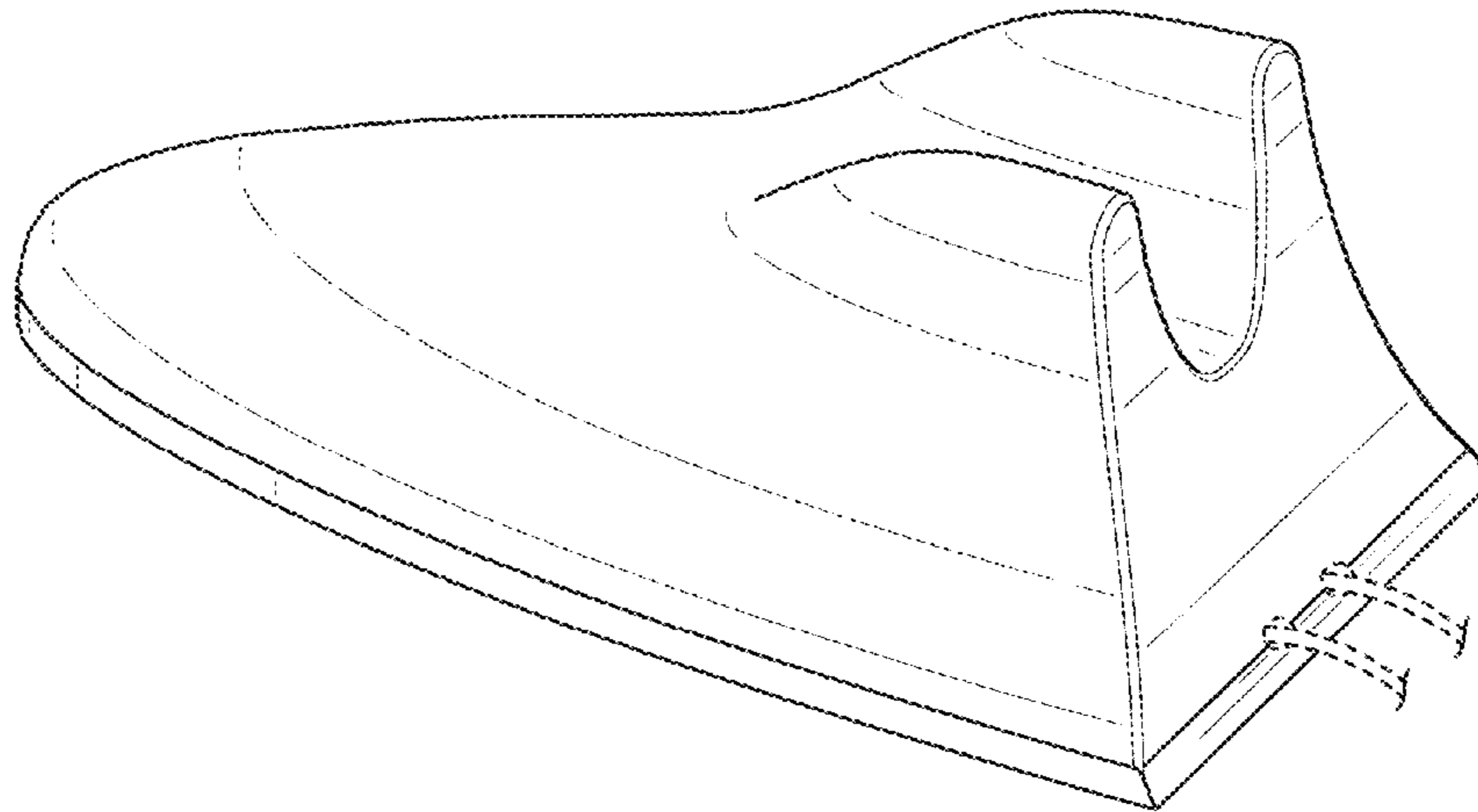
(57) **CLAIM**

The ornamental design for a dual fin antenna, as shown and described.

DESCRIPTION

FIG. 1 is a perspective view of a dual fin antenna;
FIG. 2 is a right side view of a dual fin antenna;
FIG. 3 is a left side view of a dual fin antenna;
FIG. 4 is a front view of a dual fin antenna;
FIG. 5 is a back view of a dual fin antenna;
FIG. 6 is a top view of a dual fin antenna; and,
FIG. 7 is a bottom view of a dual fin antenna.
The broken lines are included for illustrative purposes only and form no part of the claimed design.

1 Claim, 7 Drawing Sheets



(56)

References Cited

U.S. PATENT DOCUMENTS

7,408,511 B2 8/2008 Liu
 D581,909 S 12/2008 Jeong
 D591,271 S * 4/2009 Lindackers D14/218
 D603,375 S 11/2009 Jeong
 D624,906 S * 10/2010 Gorman D14/240
 D675,601 S 2/2013 Huet
 8,537,062 B1 9/2013 Duzdar et al.
 8,644,790 B2 2/2014 Jiang
 8,836,604 B2 9/2014 Yang et al.
 8,947,307 B2 2/2015 Lo
 9,093,750 B2 7/2015 Thiam et al.
 2005/0200539 A1 * 9/2005 Forster G06K 19/07749
 343/749
 2008/0117111 A1 5/2008 Ikeda et al.
 2008/0218412 A1 9/2008 Wales
 2009/0207084 A1 8/2009 Ikeda et al.
 2012/0081253 A1 4/2012 Duzdar et al.
 2012/0274519 A1 11/2012 Chakam et al.
 2013/0229315 A1 9/2013 Duzdar et al.
 2013/0274519 A1 10/2013 Mueller-Engel et al.
 2014/0225148 A1 * 8/2014 Hoehn C09J 163/00
 257/98
 2014/0292593 A1 10/2014 Thiam et al.
 2014/0347231 A1 11/2014 Kerselaers et al.
 2015/0071137 A1 3/2015 Thiam et al.
 2015/0123854 A1 5/2015 Chakam et al.
 2015/0123954 A1 5/2015 Yamada et al.
 2015/0197345 A1 * 7/2015 Abbinante H01Q 1/42
 244/129.1
 2016/0315376 A1 10/2016 Motomura et al.

2016/0315378 A1 10/2016 Kiriya et al.
 2016/0380364 A1 * 12/2016 Hung H01Q 1/38
 343/893
 2017/0093026 A1 3/2017 Anderson et al.

FOREIGN PATENT DOCUMENTS

CN 303710921 6/2016
 CN 303805799 * 8/2016
 CN 303932059 * 11/2016
 EP 3147997 A1 3/2017
 EP 3147999 A1 3/2017
 JP D1183436 * 9/2003
 JP D1399392 * 10/2010
 JP 2012204996 A 10/2012
 JP D1459083 1/2013
 JP D1490239 * 2/2014
 JP D1530574 8/2015
 KR 300577779 11/2010
 RU 00090003 9/2014
 TW M508132 U 9/2015
 TW D182142 S 4/2017
 TW D182143 S 4/2017
 WO D045284-001 * 11/1998
 WO 2009065806 A1 5/2009
 WO 2010004671 A1 1/2010
 WO 2012096355 A1 7/2012
 WO 2014072683 A1 5/2014
 WO 2014204494 12/2014
 WO 2016009685 A1 1/2016
 WO 2016017247 A1 2/2016
 WO 2016019784 A1 2/2016
 WO 2016093082 A1 6/2016

* cited by examiner

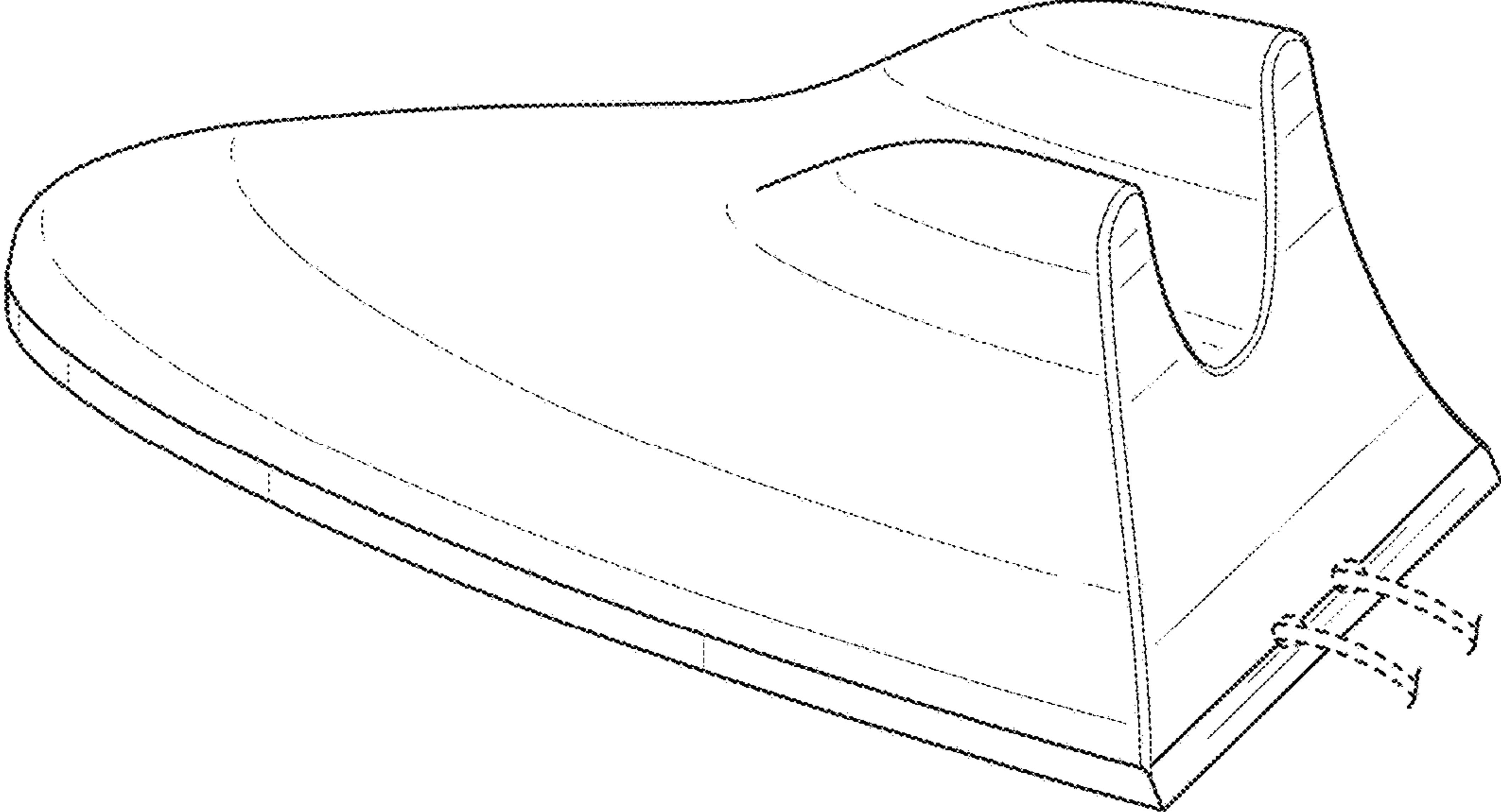


FIG. 1

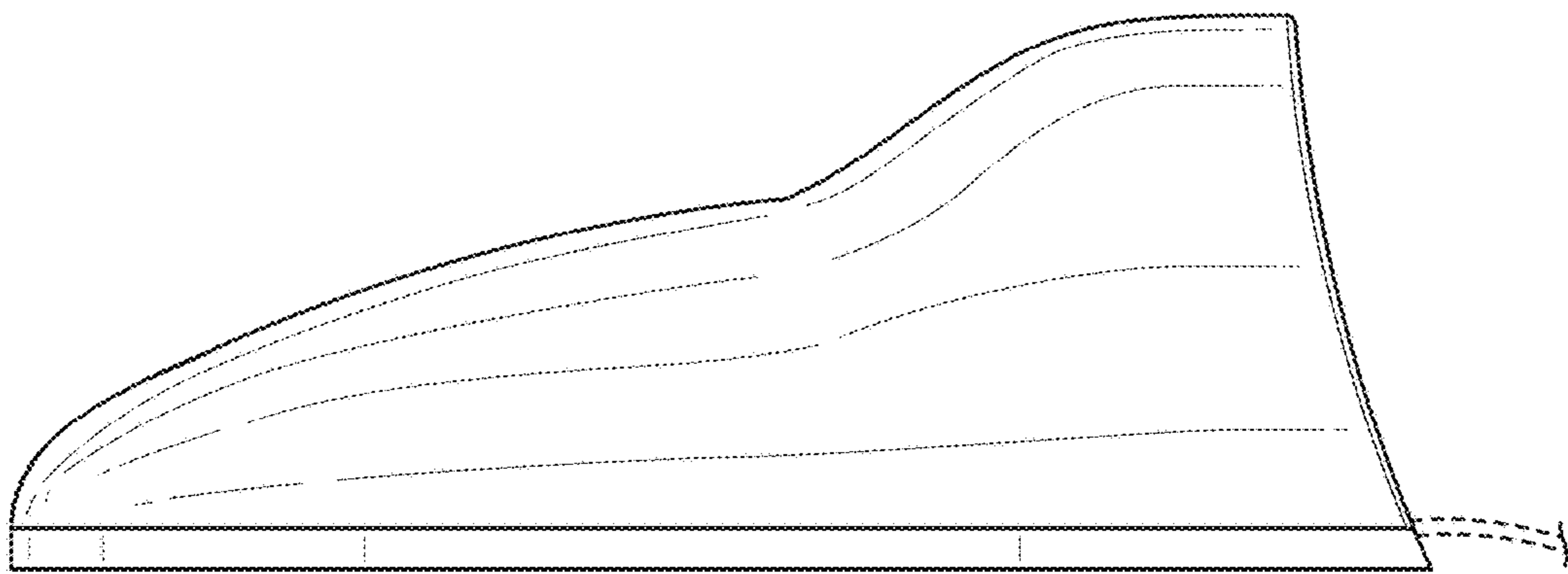


FIG. 2

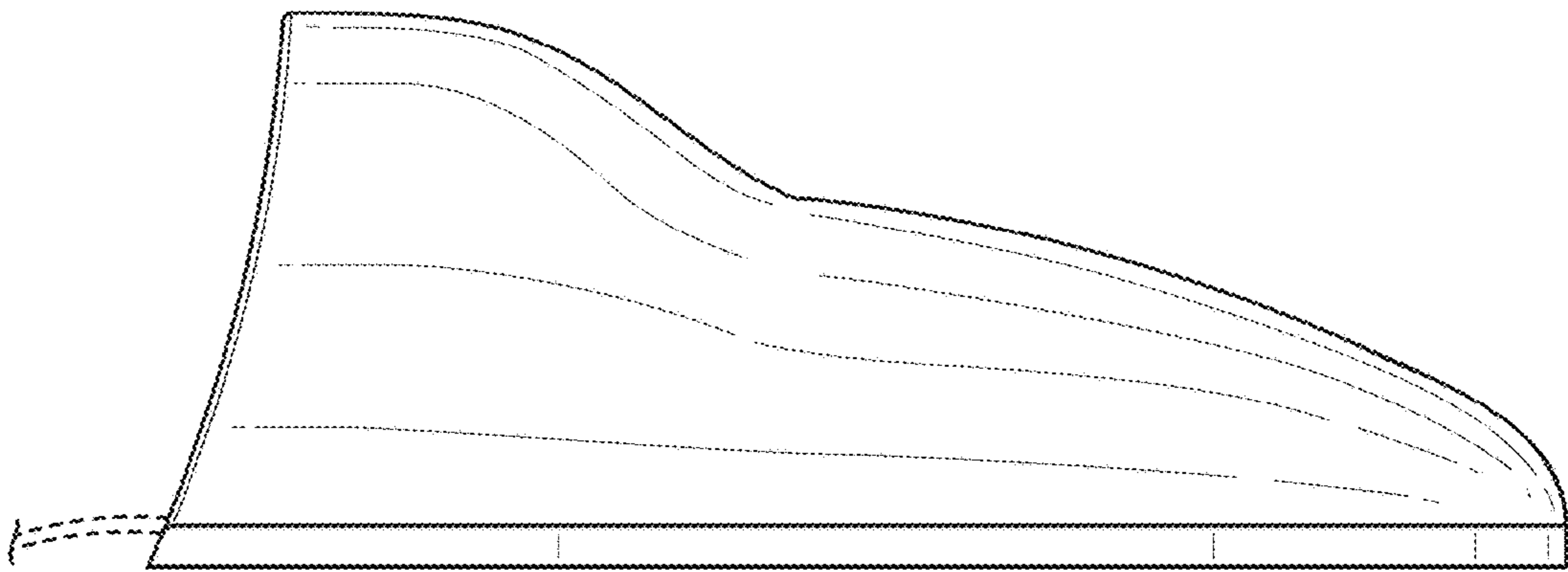


FIG. 3

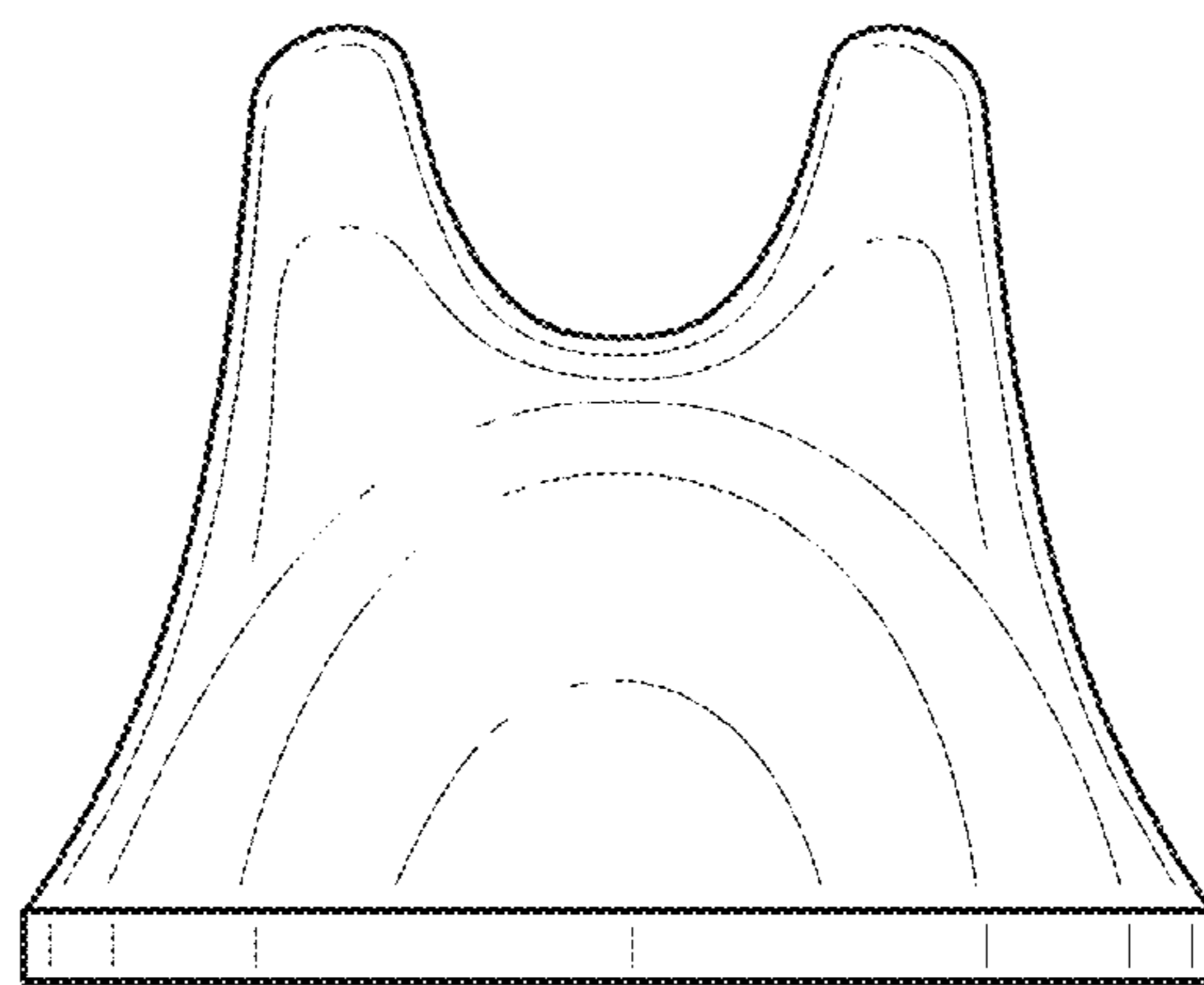


FIG. 4

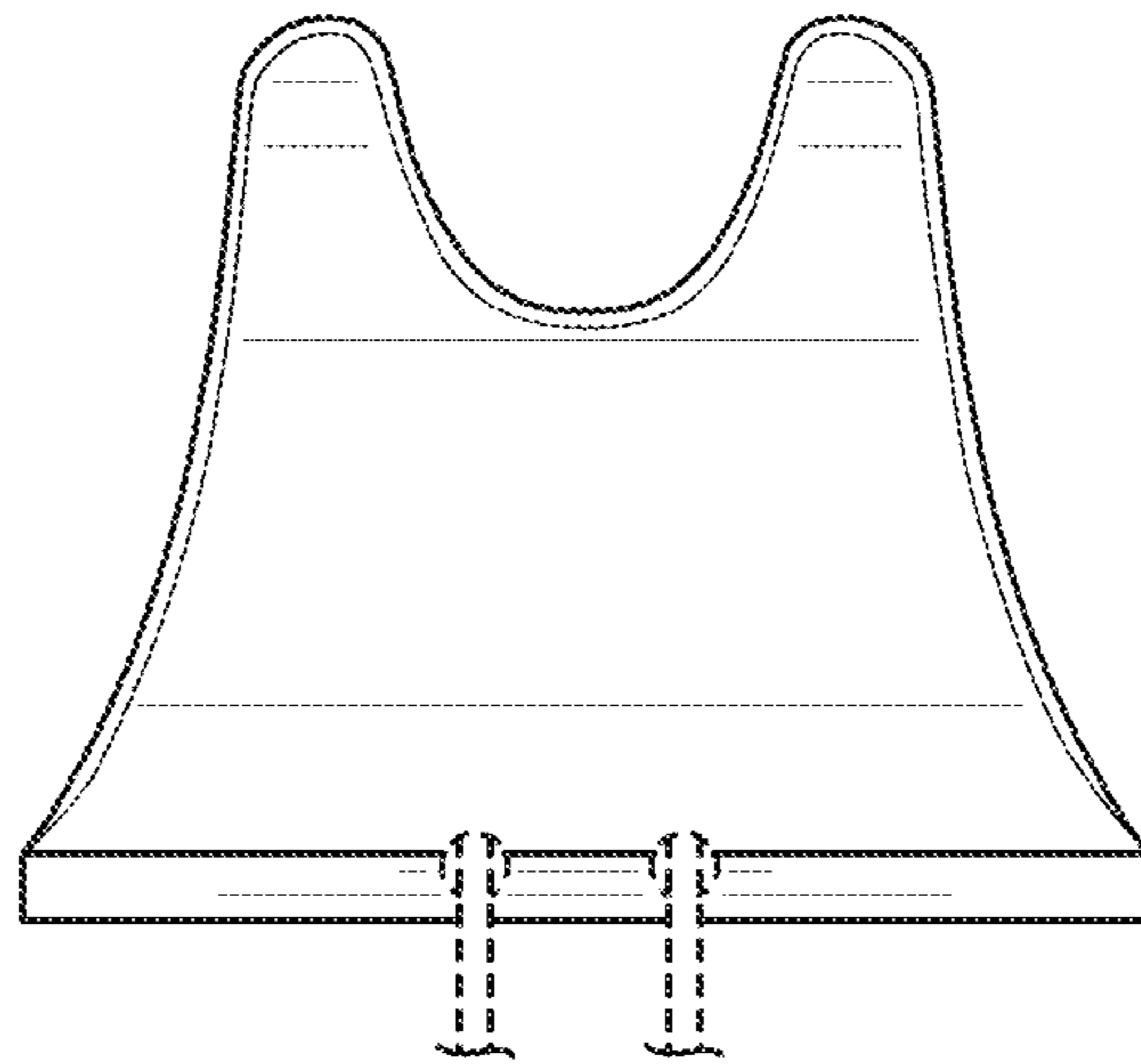


FIG. 5

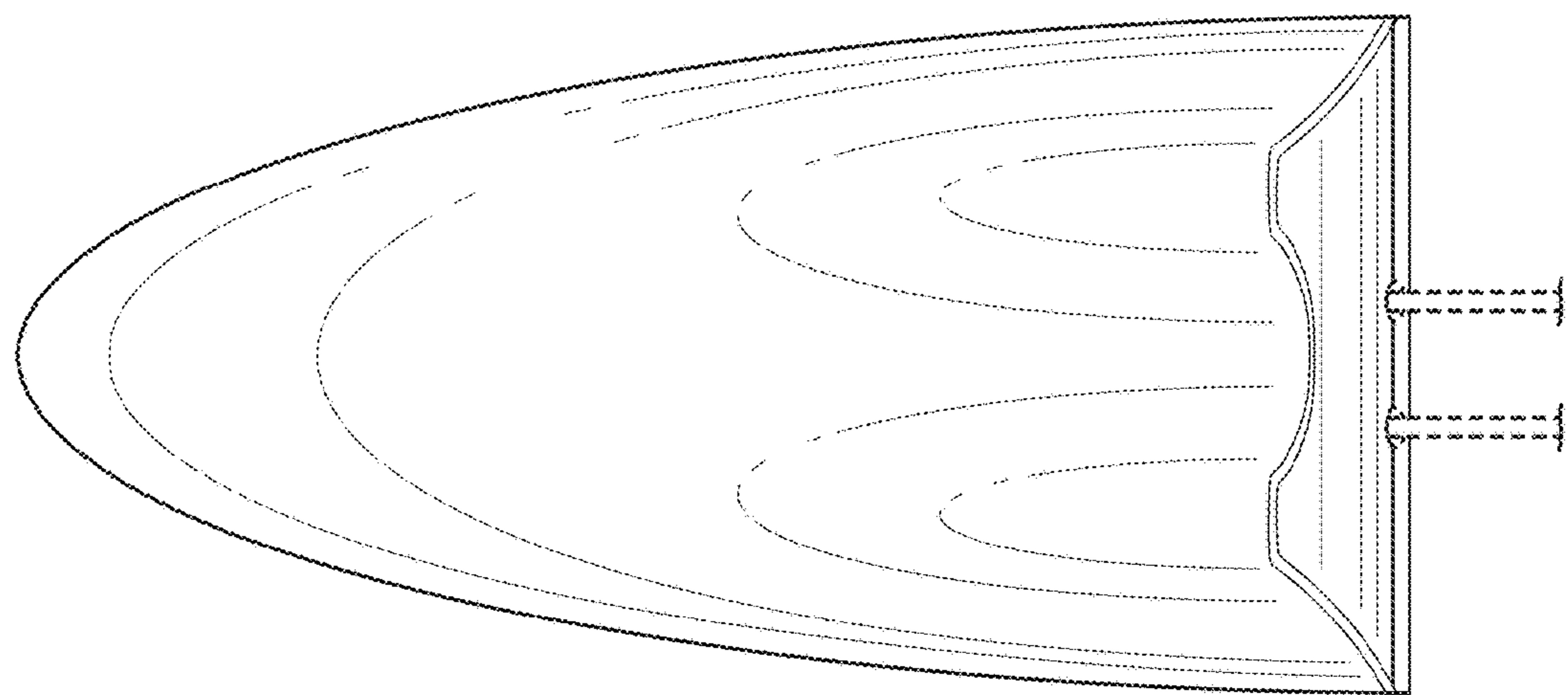


FIG. 6

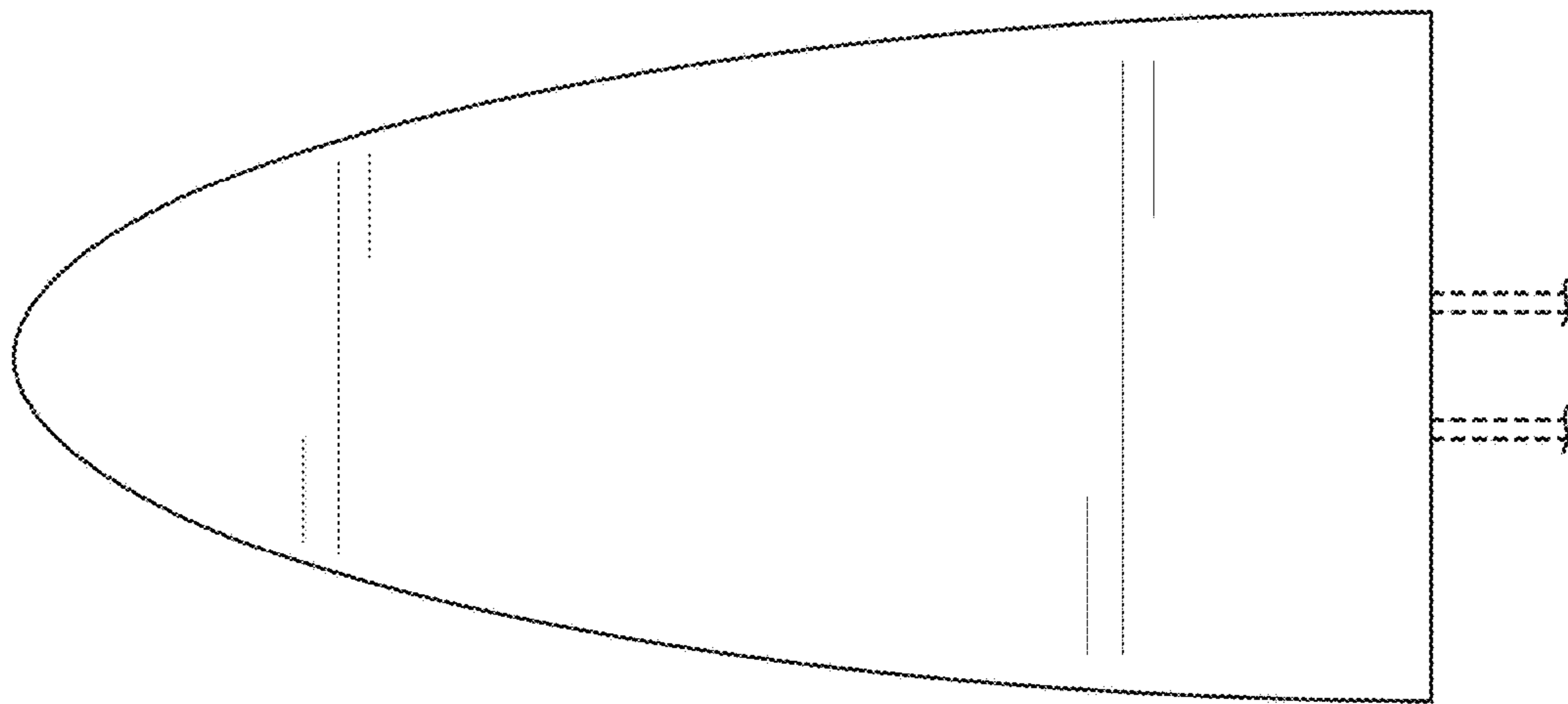


FIG. 7