



US00D803194S

(12) **United States Design Patent**
Yang

(10) **Patent No.:** **US D803,194 S**

(45) **Date of Patent:** **** Nov. 21, 2017**

- (54) **ANTENNA**
- (71) Applicant: **Airgain, Incorporated**, San Diego, CA (US)
- (72) Inventor: **Simon Yang**, Carlsbad, CA (US)
- (73) Assignee: **Airgain Incorporated**, San Diego, CA (US)
- (**) Term: **15 Years**
- (21) Appl. No.: **29/528,005**
- (22) Filed: **May 24, 2015**
- (51) **LOC (10) Cl.** **14-03**
- (52) **U.S. Cl.**
USPC **D14/230**
- (58) **Field of Classification Search**
USPC D14/230, 234, 238
CPC B06H 1/00357; B06H 1/00207; B06H 1/00514; B06H 1/00014; F24F 2221/16; H01Q 1/12; H01Q 1/00; H01Q 1/007; H01Q 1/084; H01Q 1/088; H01Q 1/10; H01Q 7/00; H01Q 13/10; H01Q 9/285; H01Q 19/30; H01Q 19/12; H01Q 1/38; H04B 1/0475; H04B 1/034; H04B 13/00; H04B 14/00; H05K 11/00
See application file for complete search history.

- (56) **References Cited**
U.S. PATENT DOCUMENTS

7,061,437	B2	6/2006	Lin et al.
7,148,849	B2	12/2006	Lin
7,215,296	B2	5/2007	Abramov et al.
D546,821	S	7/2007	Oliver
D549,696	S	8/2007	Oshima et al.
7,333,067	B2	2/2008	Hung et al.
7,336,959	B2	2/2008	Khitrik et al.
D573,589	S	7/2008	Montgomery et al.
7,405,704	B1	8/2008	Lin et al.

- | | | | |
|-----------|-----|---------|-------------------------|
| 7,477,195 | B2 | 1/2009 | Vance |
| D589,035 | S * | 3/2009 | Hellgren D14/230 |
| D592,195 | S | 5/2009 | Wu et al. |
| 7,570,215 | B2 | 8/2009 | Abramov et al. |
| D599,334 | S | 9/2009 | Chiang |
| D606,053 | S | 12/2009 | Wu et al. |
| D607,442 | S | 1/2010 | Su et al. |
| D608,769 | S | 1/2010 | Bufe |
| D612,368 | S | 3/2010 | Yang et al. |
| 7,705,783 | B2 | 4/2010 | Rao et al. |
| 7,729,662 | B2 | 6/2010 | Abramov et al. |
| D621,819 | S | 8/2010 | Tsai et al. |
| 7,843,390 | B2 | 11/2010 | Liu |
| D633,483 | S | 3/2011 | Su et al. |
| D635,127 | S | 3/2011 | Tsai et al. |
| 7,907,971 | B2 | 3/2011 | Salo et al. |
| D635,560 | S | 4/2011 | Tsai et al. |
| D635,963 | S | 4/2011 | Poddaturi |
| D635,964 | S * | 4/2011 | Poddaturi D14/230 |

(Continued)

Primary Examiner — Shannon Morgan
Assistant Examiner — Debra A Callahan
 (74) *Attorney, Agent, or Firm* — Clause Eight IPS; Michael Catania

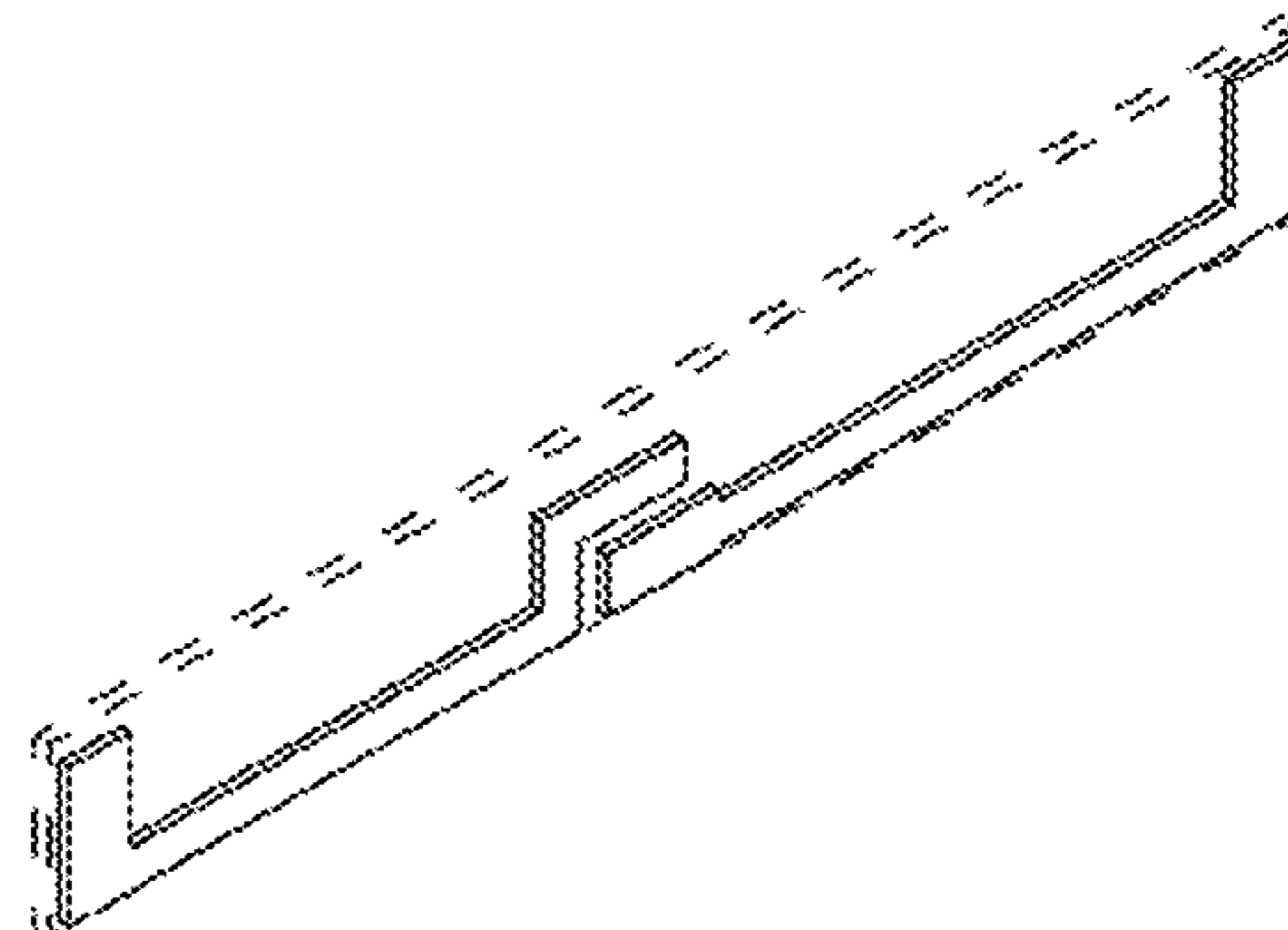
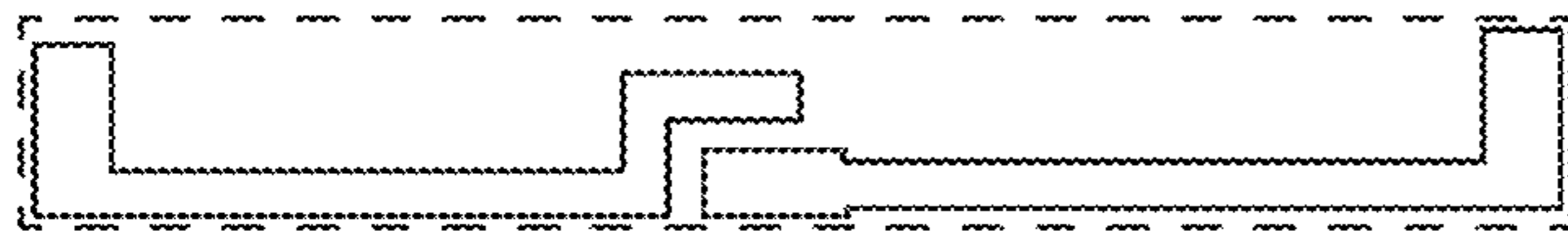
(57) **CLAIM**

The ornamental design for an antenna, as shown and described.

DESCRIPTION

FIG. 1 is a top plan view of an antenna;
 FIG. 2 is a left side elevational view thereof;
 FIG. 3 is a rear plan view thereof;
 FIG. 4 is top, front perspective view thereof;
 FIG. 5 is another top plan view thereof shown with the base element removed for ease of illustration; and,
 FIG. 6 is another left side elevational view thereof shown with the base element removed for ease of illustration.
 The broken lines showing a base in FIGS. 1-4 represent environment and form no part of the claimed design.

1 Claim, 2 Drawing Sheets



(56)

References Cited

U.S. PATENT DOCUMENTS

D635,965 S	4/2011	Mi et al.		2004/0222936 A1*	11/2004	Hung	H01Q 1/38 343/795
D636,382 S *	4/2011	Podduturi	D14/230	2005/0073462 A1	4/2005	Lin et al.	
7,965,242 B2	6/2011	Abramov et al.		2005/0190108 A1	9/2005	Lin et al.	
D649,962 S	12/2011	Tseng et al.		2005/0218235 A1*	10/2005	Chang	G06K 19/07749 235/492
D651,198 S	12/2011	Mi et al.		2006/0208900 A1	9/2006	Tavassoli Hozouri	
D654,059 S	2/2012	Mi et al.		2007/0030203 A1*	2/2007	Tsai	H01Q 5/371 343/702
D654,060 S	2/2012	Ko et al.		2008/0143630 A1*	6/2008	Kato	G06K 19/07749 343/795
D658,639 S	5/2012	Huang et al.		2008/0150829 A1	6/2008	Lin et al.	
D659,129 S	5/2012	Mi et al.		2008/0284605 A1*	11/2008	Shafer	G06K 19/0726 340/572.7
D659,685 S	5/2012	Huang et al.		2009/0002244 A1	1/2009	Woo	
D659,688 S	5/2012	Huang et al.		2009/0058739 A1	3/2009	Konishi	
8,175,036 B2	5/2012	Visuri et al.		2009/0126861 A1*	5/2009	Chen	G06K 19/07718 156/184
8,184,601 B2	5/2012	Abramov et al.		2009/0135072 A1	5/2009	Ke et al.	
D662,916 S	7/2012	Huang et al.		2009/0224918 A1*	9/2009	Copeland	E05B 73/0017 340/572.1
8,248,970 B2	8/2012	Abramov et al.		2009/0262028 A1	10/2009	Murnbru et al.	
D671,097 S	11/2012	Mi et al.		2010/0051703 A1*	3/2010	Kobae	G06K 19/0775 235/492
8,310,402 B2	11/2012	Yang		2010/0177991 A1*	7/2010	Chen	B32B 3/08 383/109
D676,429 S	2/2013	Gosalia et al.		2010/0188297 A1	7/2010	Chen et al.	
D678,255 S	3/2013	Ko et al.		2010/0309067 A1	12/2010	Tsou et al.	
8,423,084 B2	4/2013	Abramov et al.		2010/0314454 A1*	12/2010	Youn	G06K 19/0723 235/492
D684,565 S *	6/2013	Wei	D14/230	2011/0006950 A1	1/2011	Park et al.	
D685,352 S	7/2013	Wei		2012/0038514 A1	2/2012	Bang	
D685,772 S	7/2013	Zheng et al.		2012/0229348 A1	9/2012	Chiang	
D686,600 S *	7/2013	Yang	D14/230	2012/0242546 A1*	9/2012	Hu	H01Q 1/243 343/700 MS
D689,474 S *	9/2013	Yang	D14/230	2013/0044030 A1*	2/2013	Oh	H01Q 1/243 343/700 MS
D692,870 S	11/2013	He		2015/0236422 A1*	8/2015	You	H01Q 7/00 343/729
D694,738 S	12/2013	Yang		2015/0303556 A1*	10/2015	Flores-Cuadras	H01Q 1/085 343/893
D695,279 S	12/2013	Yang et al.		2016/0181691 A1*	6/2016	Koga	H01Q 9/0421 343/700 MS
D695,280 S	12/2013	Yang et al.		2016/0190677 A1*	6/2016	Tseng	H01Q 1/38 343/897
D703,195 S	4/2014	Zheng		2016/0218421 A1*	7/2016	Lin	H01Q 1/38
D703,196 S	4/2014	Zheng					
D706,247 S	6/2014	Zheng et al.					
D706,750 S	6/2014	Bringuir					
D706,751 S	6/2014	Chang et al.					
D708,602 S	7/2014	Gosalia et al.					
D709,053 S	7/2014	Chang et al.					
D710,339 S *	8/2014	Bishop	D14/230				
D710,832 S	8/2014	Yang					
D710,833 S	8/2014	Zheng et al.					
8,854,265 B1	10/2014	Yang et al.					
D716,775 S	11/2014	Bidermann					
D735,173 S *	7/2015	Gosalia	D14/230				
D764,447 S *	8/2016	Yang	D14/230				
D766,883 S *	9/2016	Yang	D14/230				
2002/0003499 A1	1/2002	Kouarn et al.					

* cited by examiner

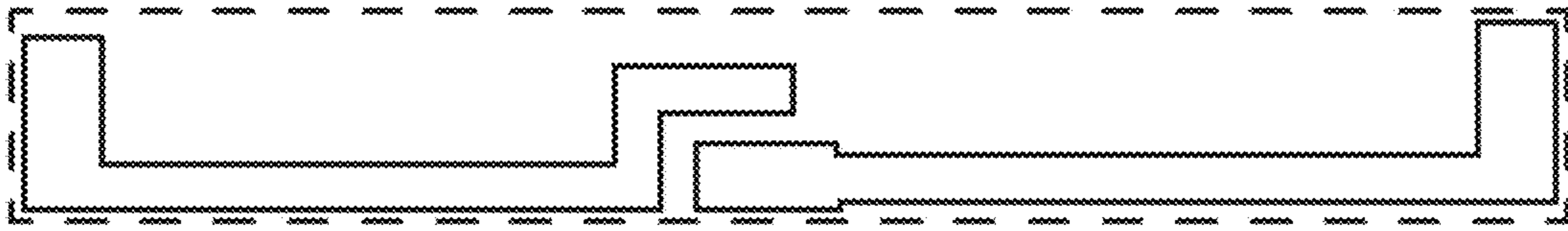


FIG. 1

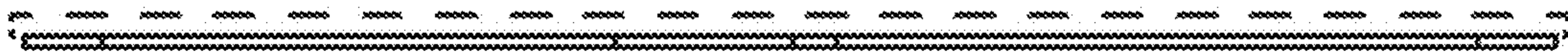


FIG. 2

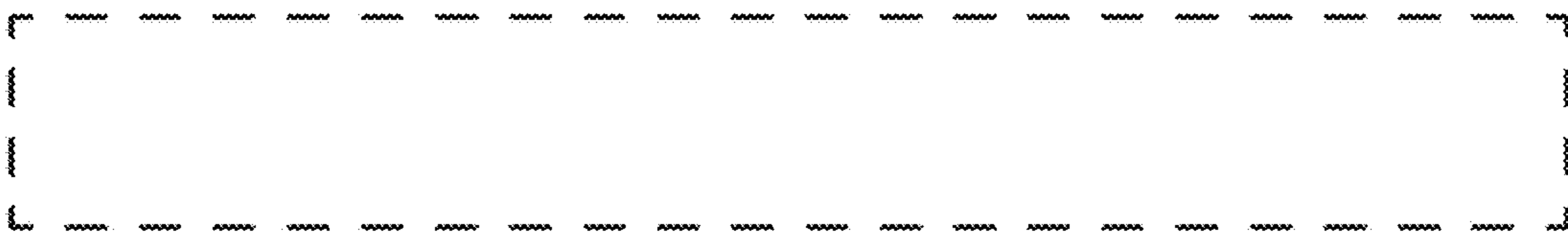


FIG. 3

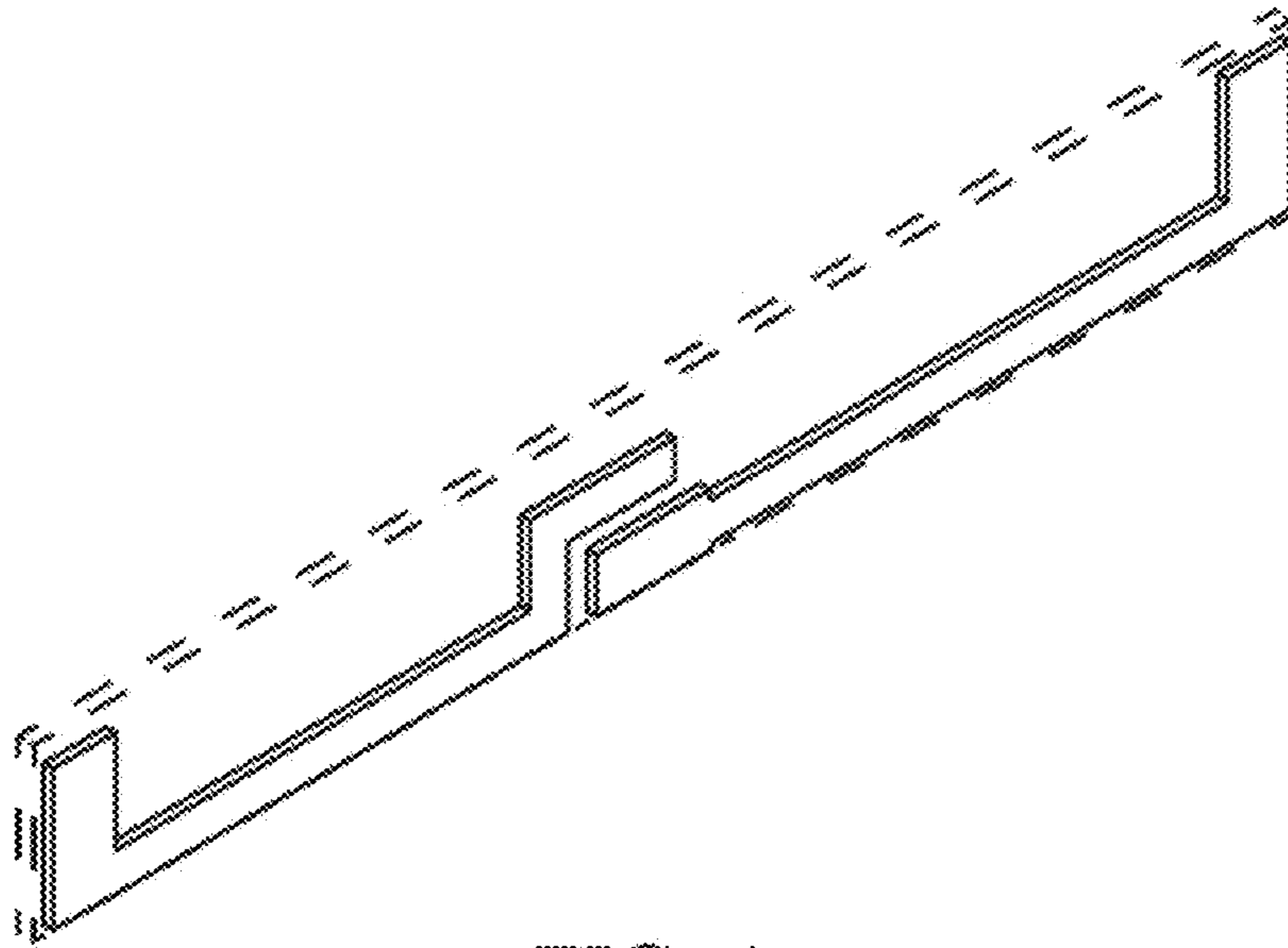


FIG. 4

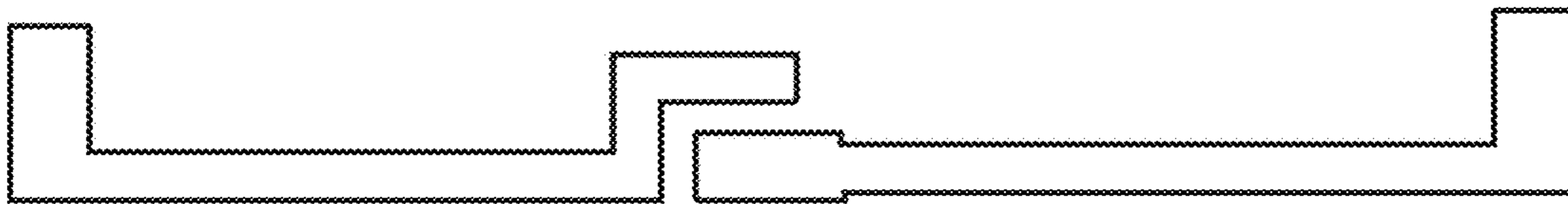


FIG. 5

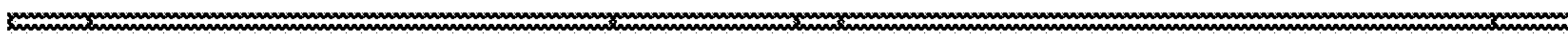


FIG. 6