



US00D803192S

(12) **United States Design Patent**
Huang

(10) **Patent No.:** **US D803,192 S**

(45) **Date of Patent:** **** Nov. 21, 2017**

- (54) **EARTIP FOR EARPHONE**
- (71) Applicant: **Cheng-Houng Huang**, Taipei (TW)
- (72) Inventor: **Cheng-Houng Huang**, Taipei (TW)
- (**) Term: **15 Years**
- (21) Appl. No.: **29/565,834**
- (22) Filed: **May 25, 2016**
- (51) **LOC (10) Cl.** **14-01**
- (52) **U.S. Cl.**
USPC **D14/223**
- (58) **Field of Classification Search**
USPC D14/223, 205; D24/106, 174; 181/129,
181/130, 135; 379/430, 431; 381/380,
381/381, 74, 322, 325, 324, 328;
455/90.3, 575.1
CPC A61F 11/08; H04R 25/00; H04R 25/02;
H04R 1/1016; H04R 25/652
See application file for complete search history.

(56) **References Cited**

U.S. PATENT DOCUMENTS

- 2,246,737 A * 6/1941 Knudsen A61F 11/08
128/865
- 2,393,005 A * 1/1946 Veneklasen A61F 11/08
128/864
- 2,619,960 A * 12/1952 Reynolds A61F 11/08
128/868
- D195,322 S * 5/1963 Hill D24/106
- 3,415,246 A * 12/1968 Hill A61F 11/08
128/864
- D241,881 S * 10/1976 Peterson et al. D24/106
- 4,055,233 A * 10/1977 Huntress A61B 7/02
128/864
- 4,219,018 A * 8/1980 Draper, Jr. A61F 11/08
128/864
- D259,279 S * 5/1981 Takeda D24/106
- 4,540,063 A * 9/1985 Ochi A61F 11/08
128/867

- 5,107,861 A * 4/1992 Narboni A61F 13/38
128/846
- 5,113,967 A * 5/1992 Killion A61F 11/08
181/132
- D330,761 S * 11/1992 Falco D24/106
- D372,776 S * 8/1996 Leight D24/106
- 5,819,745 A * 10/1998 Mobley A61F 11/08
128/864
- D434,139 S * 11/2000 Foslien D24/106
- D468,301 S * 1/2003 Fushimi D14/223
- D505,132 S * 5/2005 Linville D14/223
- D514,094 S * 1/2006 Griffin D14/223
- 7,082,206 B2 * 7/2006 Mahoney H04R 25/456
381/322
- D557,689 S * 12/2007 Huang D14/223
- 7,314,047 B2 * 1/2008 Falco A61F 11/08
128/864
- D611,929 S * 3/2010 Blanchard D14/205
- D624,901 S * 10/2010 Blanchard D14/205
- D647,889 S * 11/2011 Huang D14/223

(Continued)

Primary Examiner — Paula Allen Greene
(74) *Attorney, Agent, or Firm* — Roger Chen

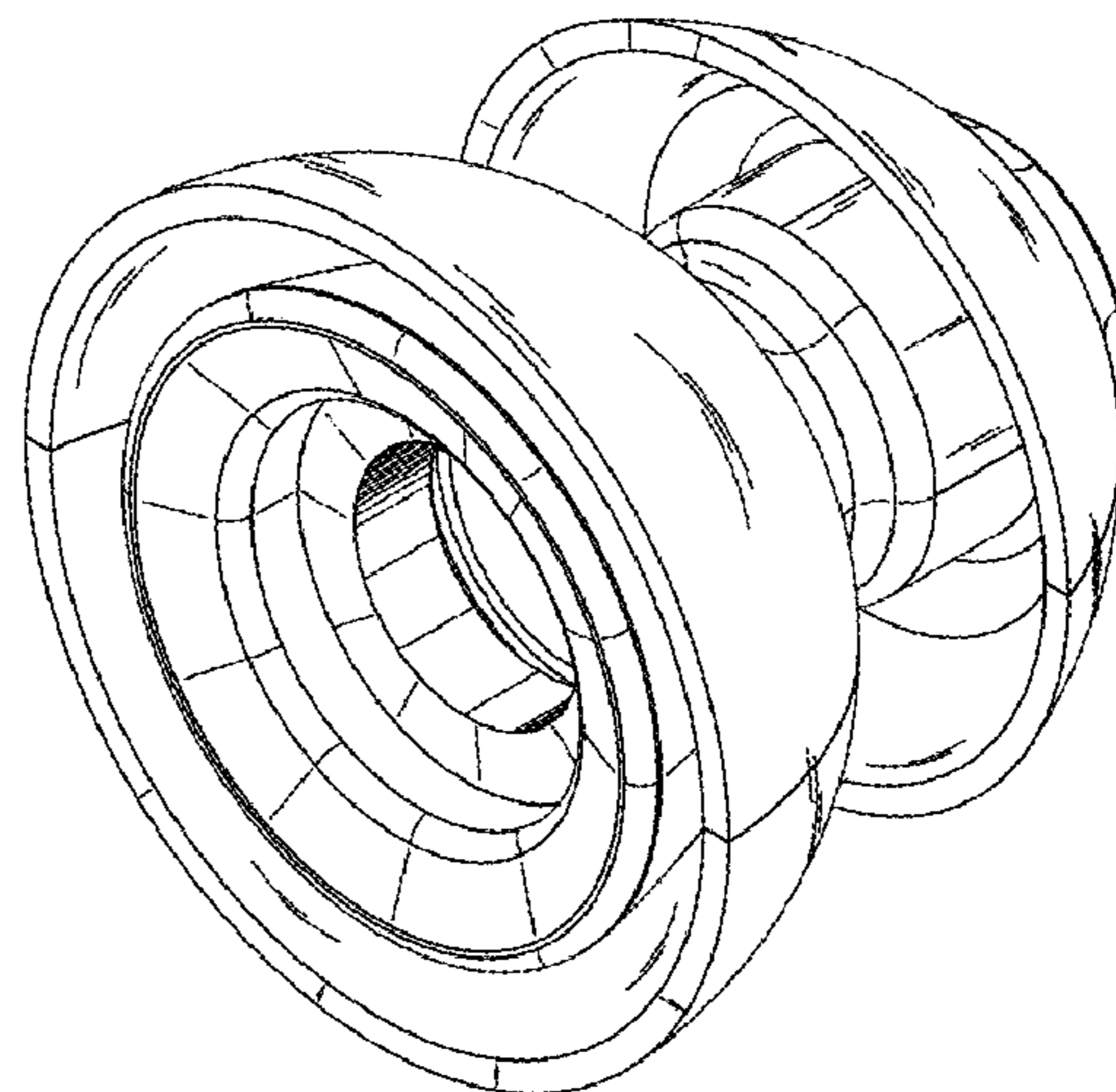
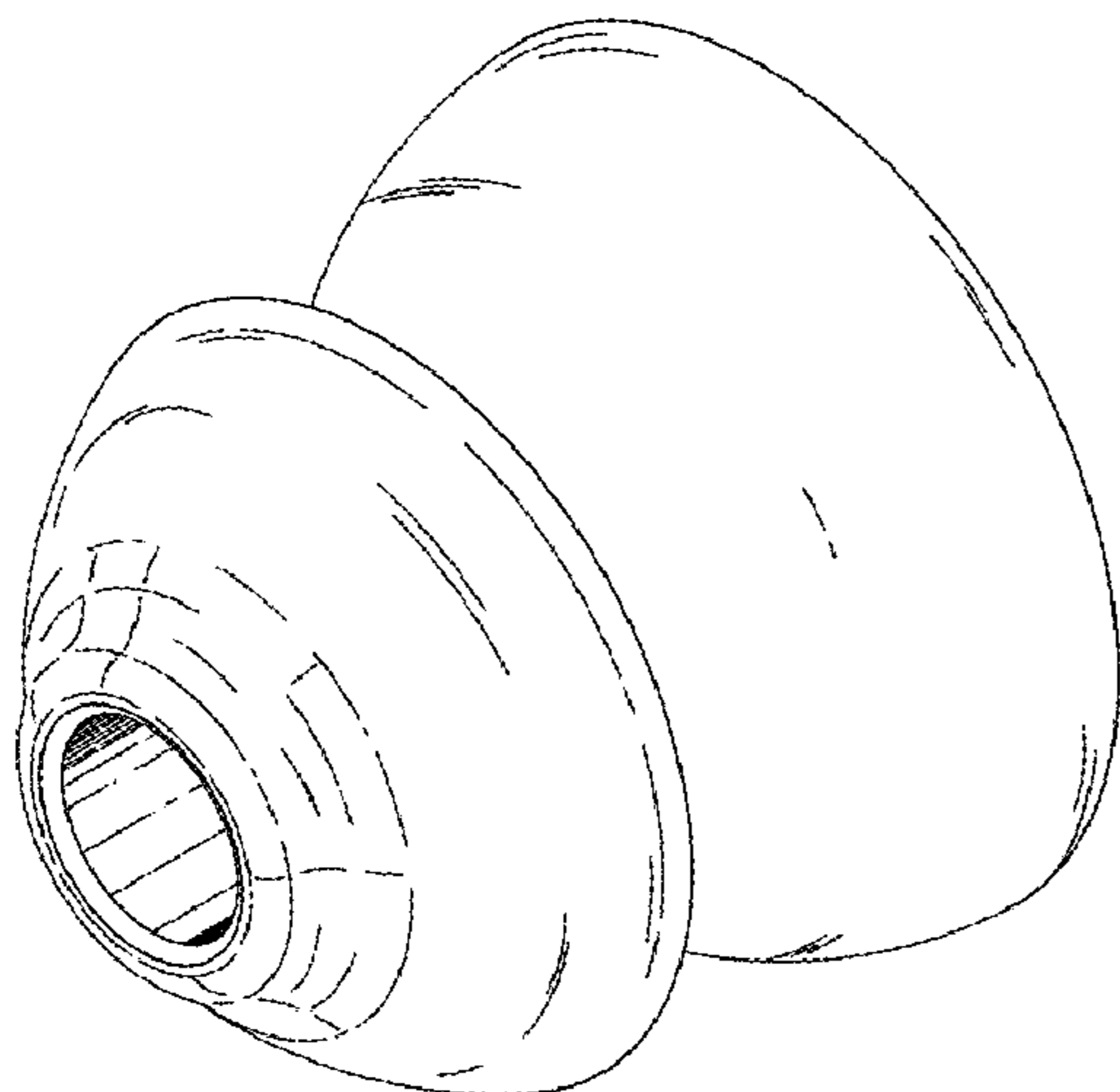
(57) **CLAIM**

The ornamental design for an eartip for earphone, as shown and described.

DESCRIPTION

FIG. 1 is a perspective view of an eartip for earphone showing my new design;
FIG. 2 is a front perspective view thereof;
FIG. 3 is a rear perspective view thereof;
FIG. 4 is a right side view thereof;
FIG. 5 is a left side view thereof;
FIG. 6 is a front view thereof; and,
FIG. 7 is a rear view thereof.
The broken lines shown represent unclaimed subject matter and form no part of the claimed design.

1 Claim, 7 Drawing Sheets



(56)

References Cited

U.S. PATENT DOCUMENTS

8,201,561 B2 * 6/2012 Blanchard A61F 11/08
128/846
8,348,011 B1 * 1/2013 Huang H04R 25/656
181/130
D698,023 S * 1/2014 Iseberg D24/174
D715,775 S * 10/2014 Rueskov D14/221
D717,937 S * 11/2014 Hamer A61F 11/08
D24/106
D721,678 S * 1/2015 Thomas D14/223
D755,158 S * 5/2016 Lee D14/205
D757,925 S * 5/2016 Hamer D24/106
2003/0081794 A1 * 5/2003 Fushimi H04R 1/1016
381/74
2014/0138179 A1 * 5/2014 Burton H04R 1/1016
181/135

* cited by examiner

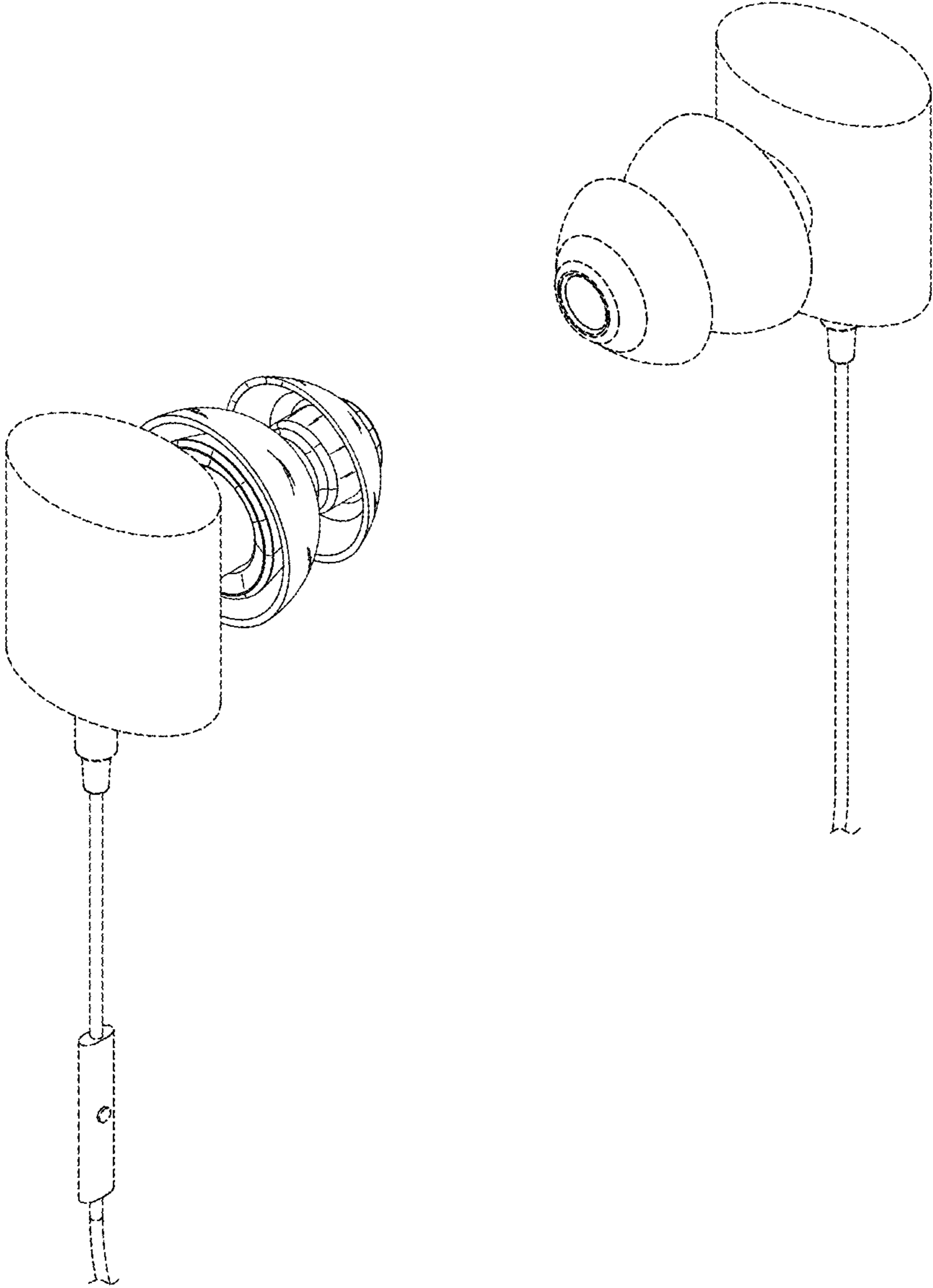


FIG.1

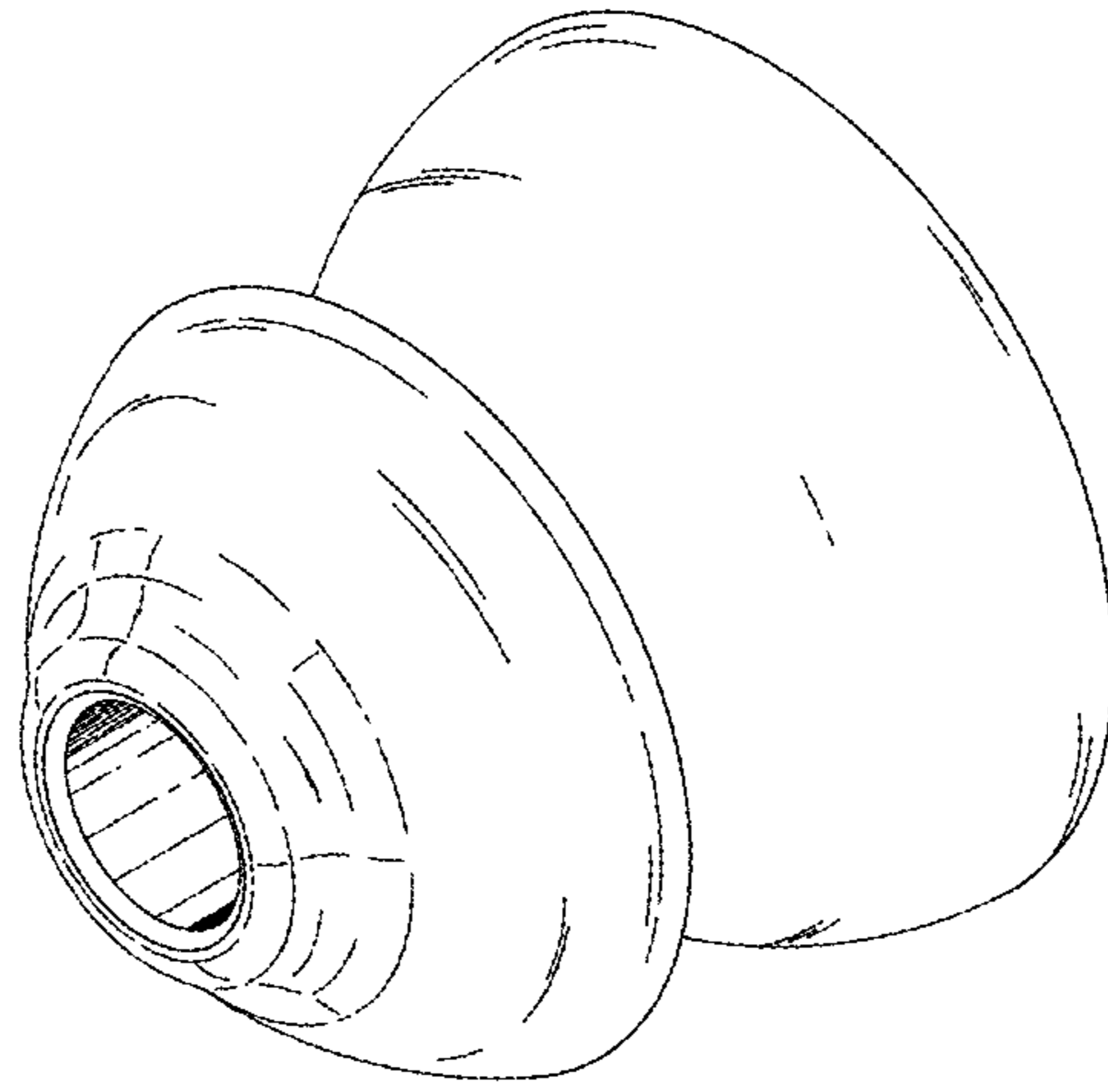


FIG.2

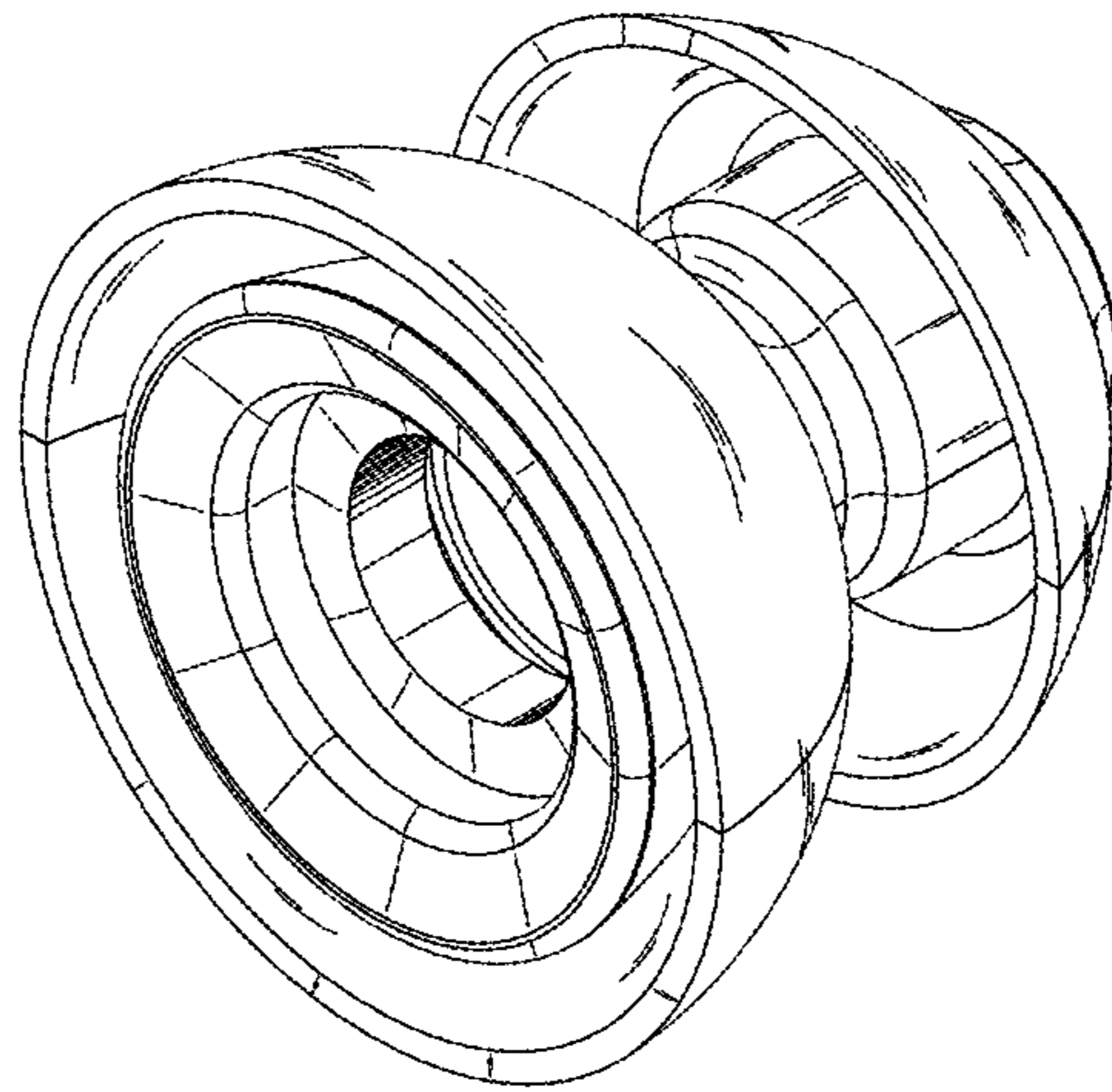


FIG.3

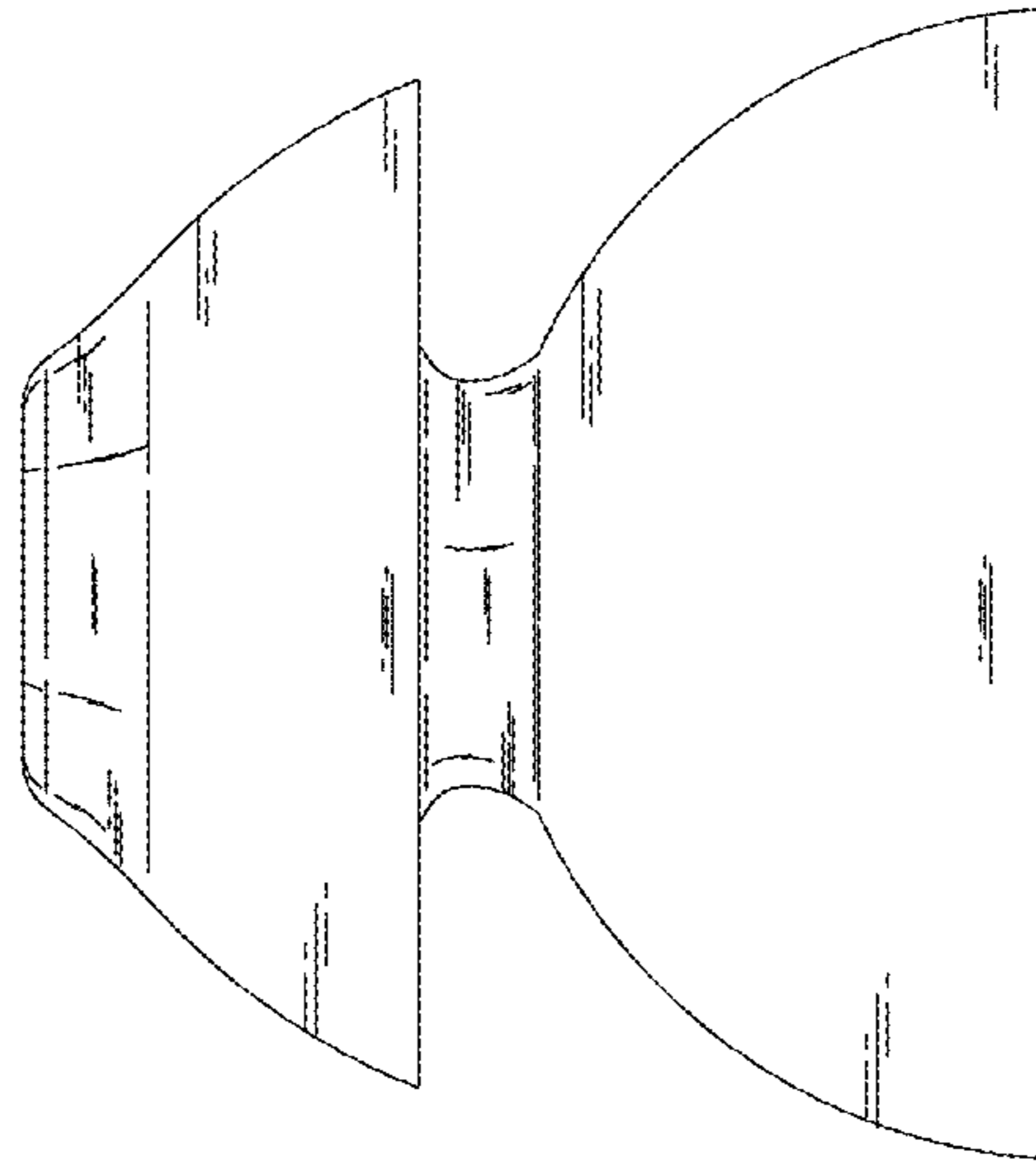


FIG.4

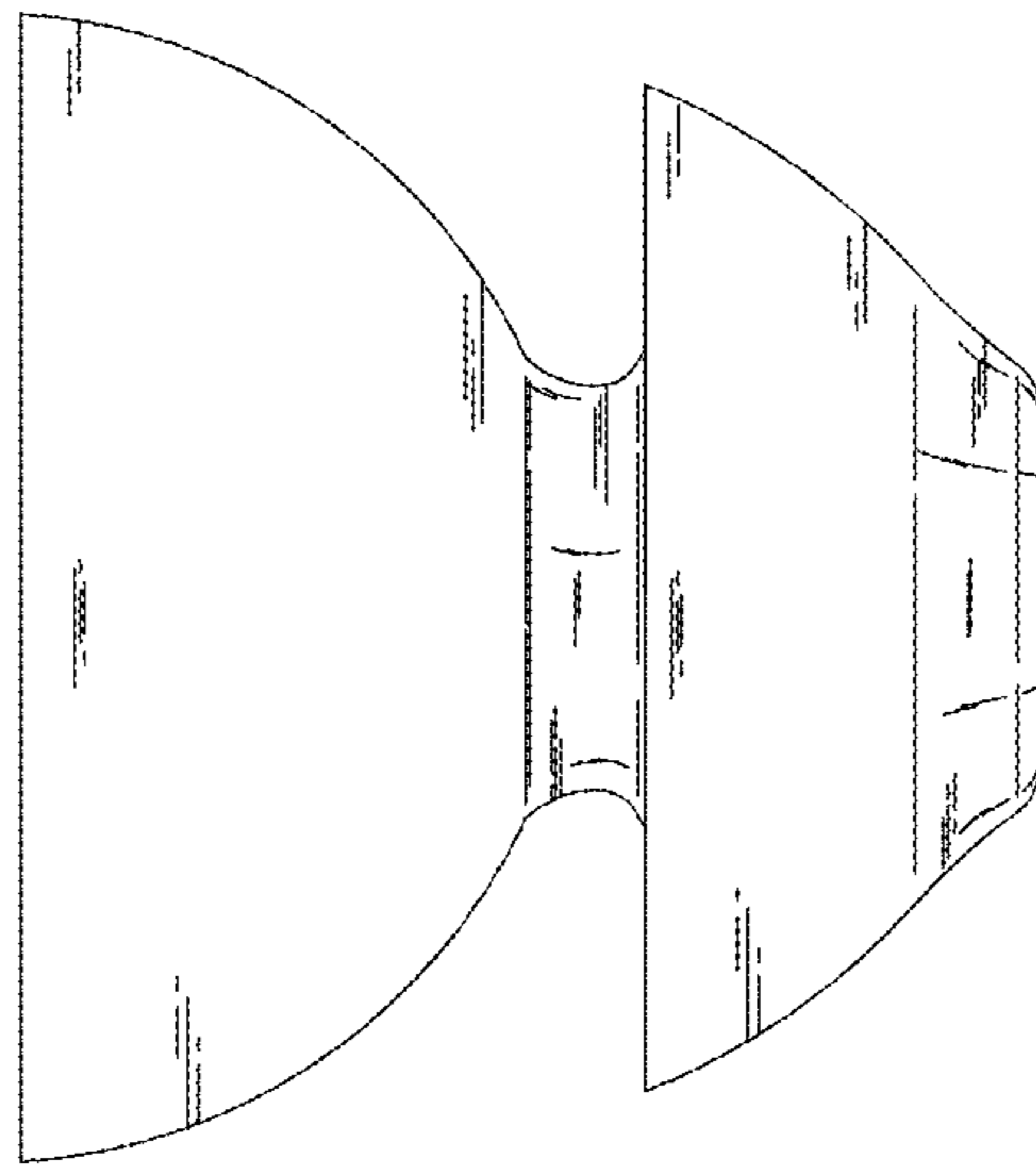


FIG.5

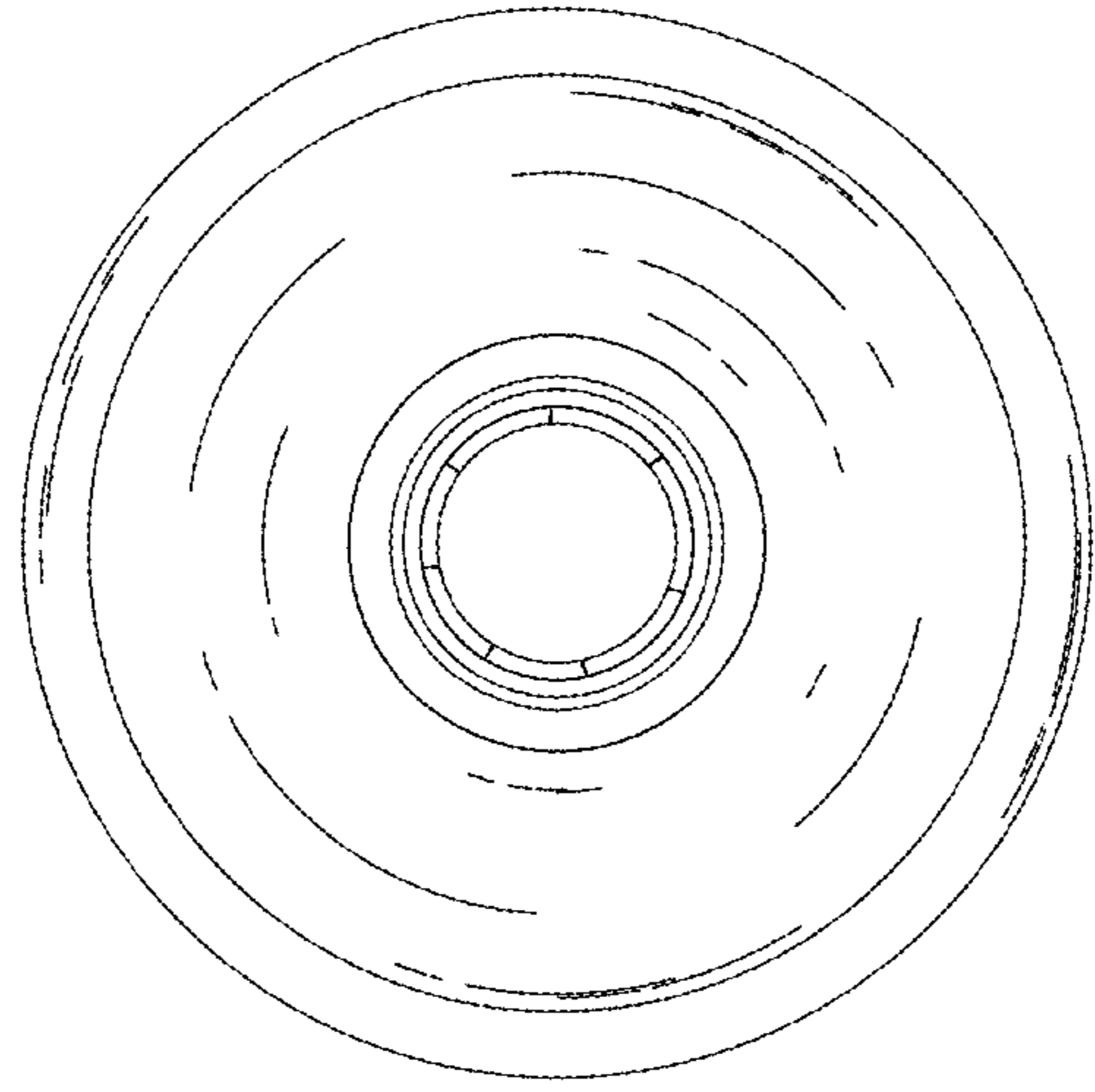


FIG.6

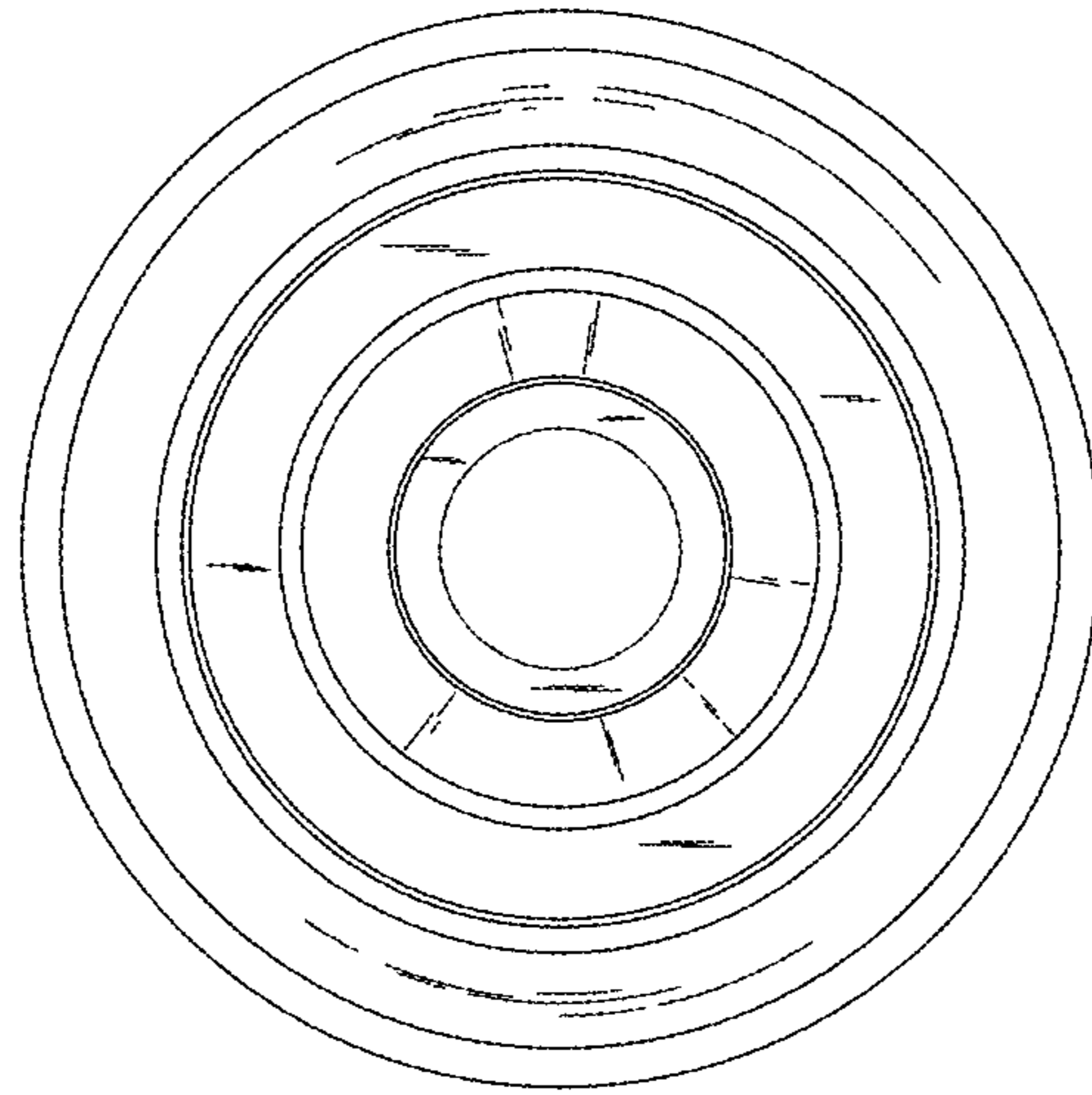


FIG.7