



US00D803189S

(12) **United States Design Patent** (10) **Patent No.:** **US D803,189 S**
Cheney et al. (45) **Date of Patent:** **** Nov. 21, 2017**

(54) **WATER-RESISTANT, BATTERY-POWERED SPEAKER**

(71) Applicant: **Braven LC**, Orem, UT (US)
(72) Inventors: **John Craig Cheney**, Orem, UT (US);
Andy Fathollahi, Corona Del Mar, CA (US); **Robert Murdock**, Lindon, UT (US)

(73) Assignee: **BRAVEN, LC**, Orem, UT (US)

(**) Term: **15 Years**

(21) Appl. No.: **29/545,282**

(22) Filed: **Nov. 11, 2015**

(51) **LOC (10) Cl.** **14-03**

(52) **U.S. Cl.**
USPC **D14/216**

(58) **Field of Classification Search**
USPC D14/167, 168, 170–172, 188, 194–196, D14/204, 207, 209.1, 210–216, 219, 221, D14/222, 224, 239, 496; 181/143, 144, 181/147, 148, 150, 153, 157, 198, 199; 381/300–303, 306, 332, 333, 336, 345, 381/361–364, 386–388; 369/6–12
CPC B60R 11/0217; G06F 1/1688; G10K 9/22; G10K 11/004; H03F 1/327; H04M 1/03; H04M 1/035; H04N 5/642; H04N 21/4852; H04R 1/02; H04R 1/06; H04R 1/021; H04R 1/025; H04R 1/026; H04R 1/028; H04R 1/105; H04R 1/323; H04R 1/403; H04R 1/2803; H04R 1/2834; H04R 5/02; H04R 7/20; H04R 9/06; H04R 9/025; H04R 2201/021; H04R 2400/00; H04R 2400/07; H04R 2499/11; H04R 2499/13; H04R 2499/15; H04S 3/00; H04S 7/30

See application file for complete search history.

(56) **References Cited**

U.S. PATENT DOCUMENTS

D584,287 S *	1/2009	Pauschitz	D14/214
D718,741 S *	12/2014	Lui	D14/216
D726,144 S *	4/2015	Kang	D14/204
D745,861 S *	12/2015	Kim	D14/216
D756,967 S *	5/2016	Manz	D14/214
D766,875 S *	9/2016	Holzer	D14/214
D771,015 S *	11/2016	Tang	D14/207

OTHER PUBLICATIONS

Jesse Hollington, “Braven intros new speakers at CES, including the BRV-XXL and BRV-BLADE LE,” <http://www.ilounge.com/index.php/news/comments/braven-intros-new-speakers-at-ces-including-the-brv-xxl-and-brv-blade-le>.

* cited by examiner

Primary Examiner — Keli L Hill

(74) *Attorney, Agent, or Firm* — Manatt, Phelps & Phillips, LLC

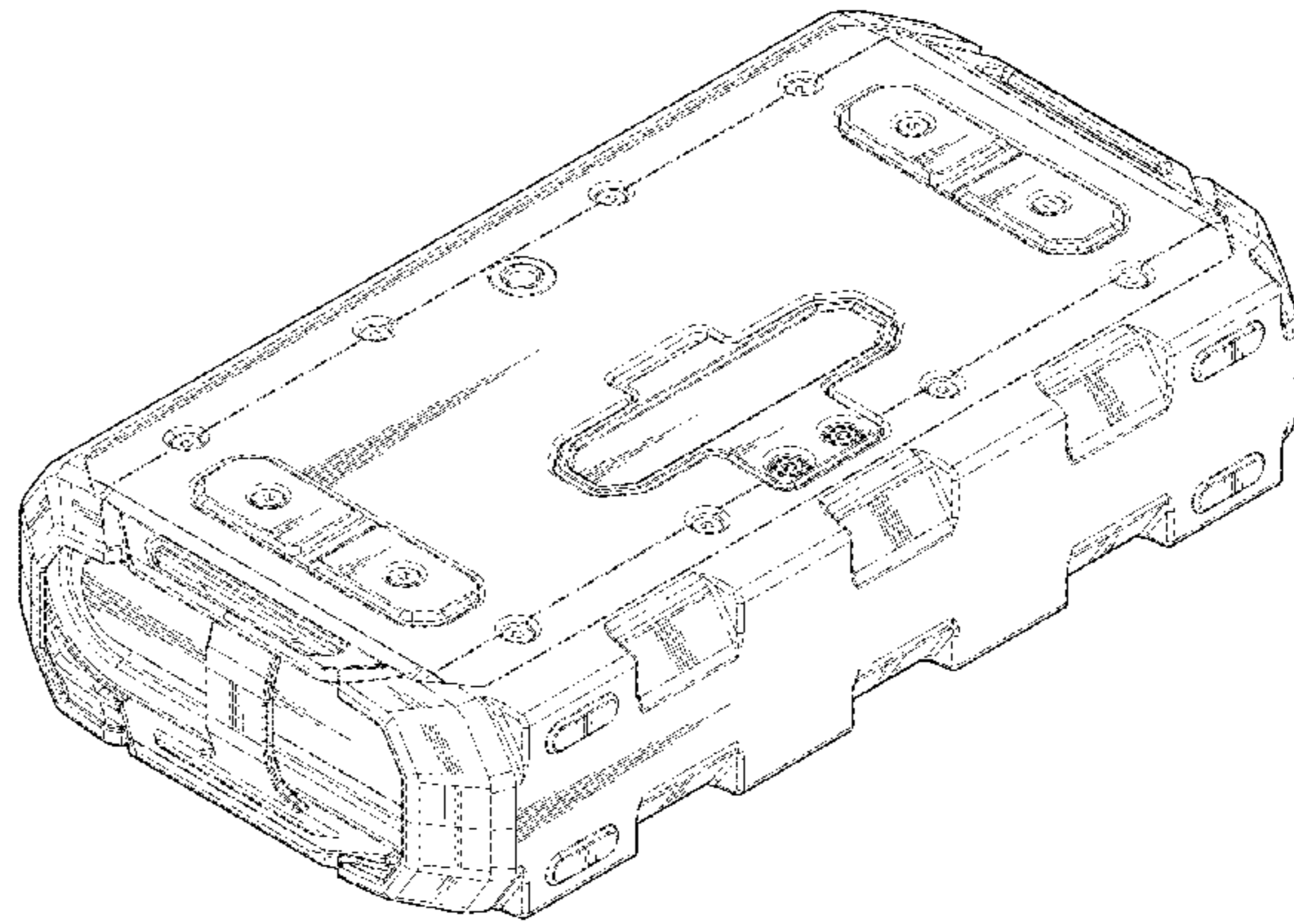
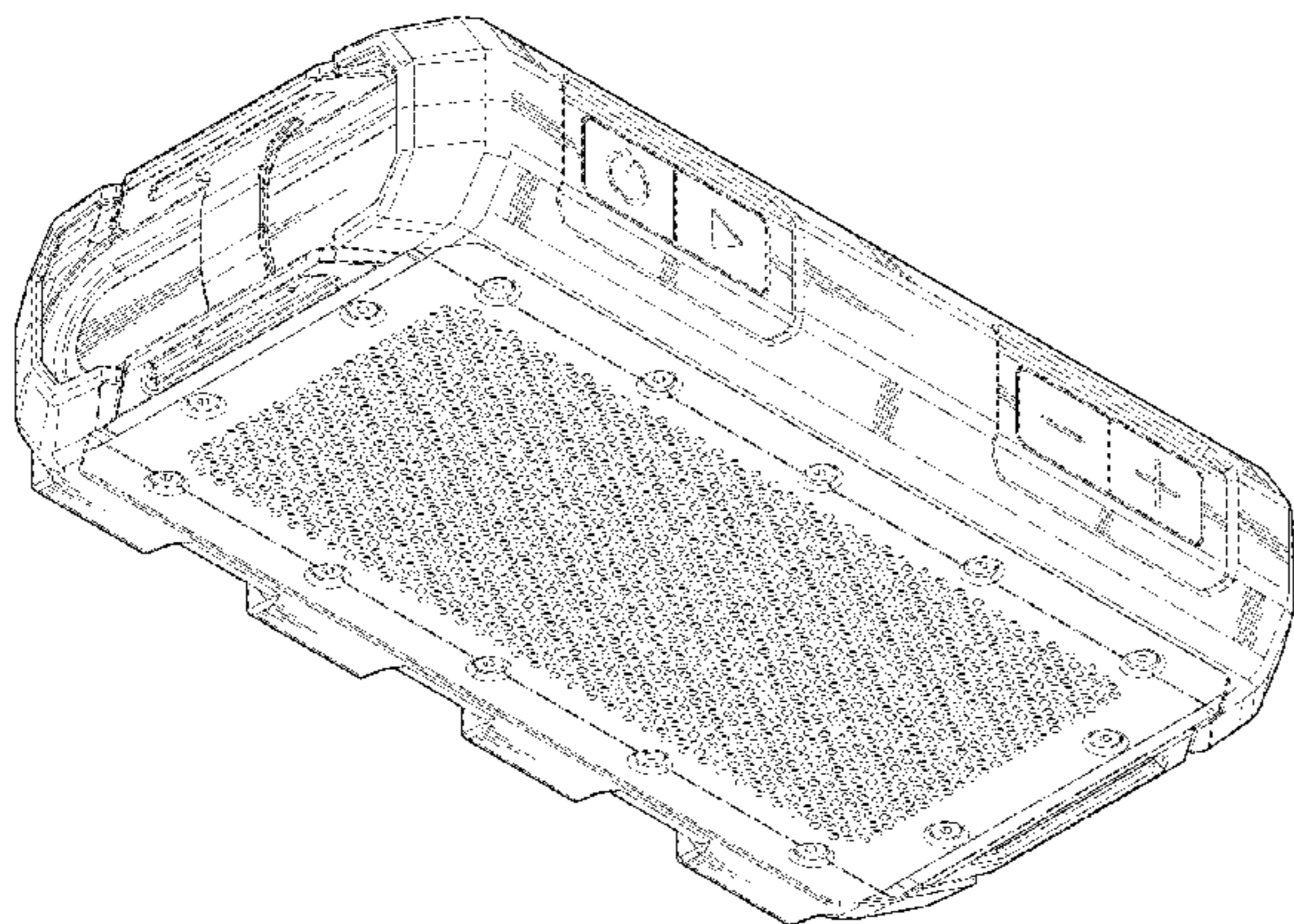
(57) **CLAIM**

The ornamental design for a water-resistant, battery-powered speaker, as shown and described.

DESCRIPTION

FIG. 1 is a front perspective view of a water-resistant, battery-powered speaker.
FIG. 2 is a rear perspective view thereof.
FIG. 3 is a front view thereof.
FIG. 4 is a rear view thereof.
FIG. 5 is a left side view thereof.
FIG. 6 is a right side view thereof.
FIG. 7 is a top view thereof; and,
FIG. 8 is a bottom view thereof.

1 Claim, 4 Drawing Sheets



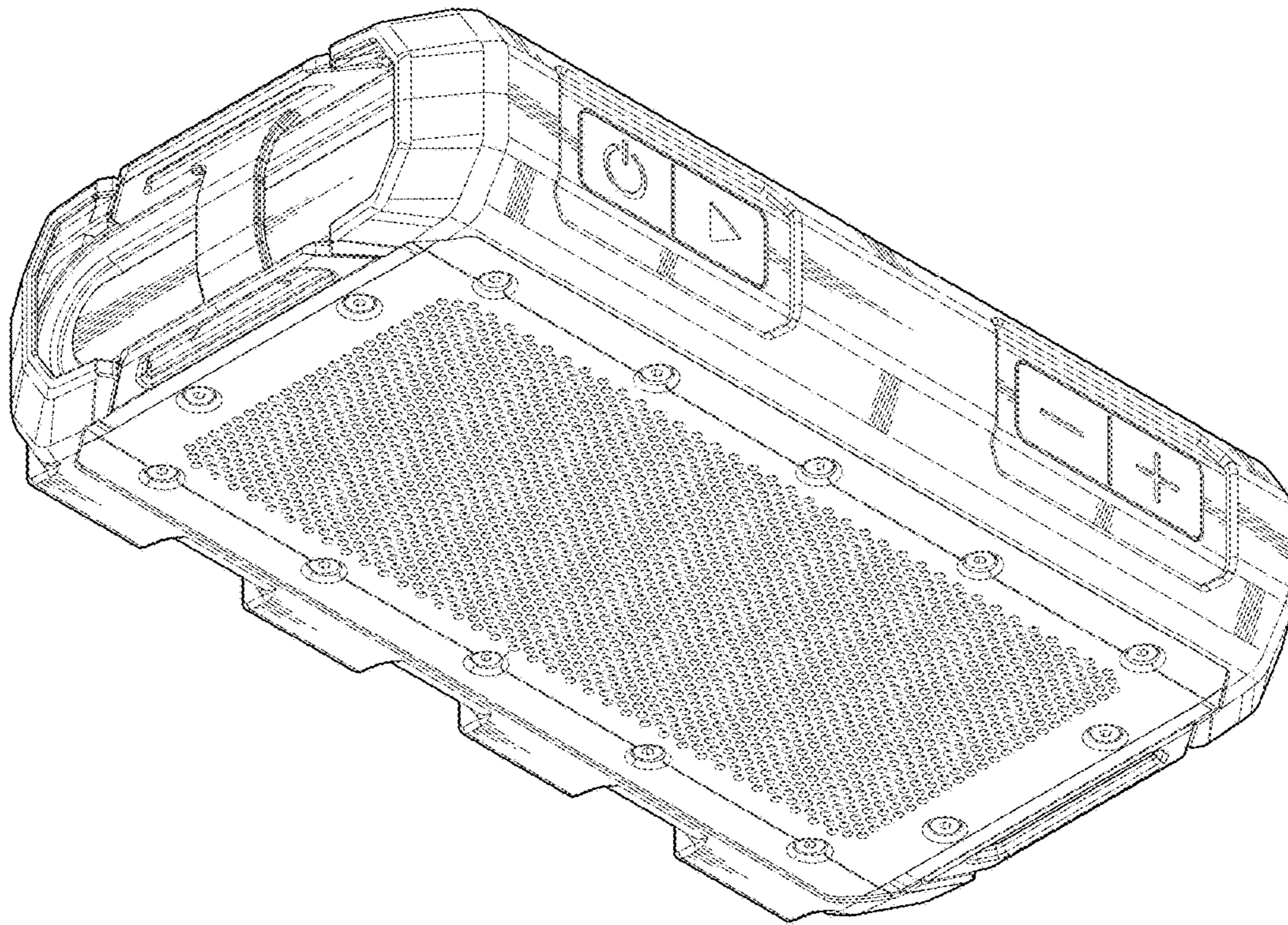


FIG. 1

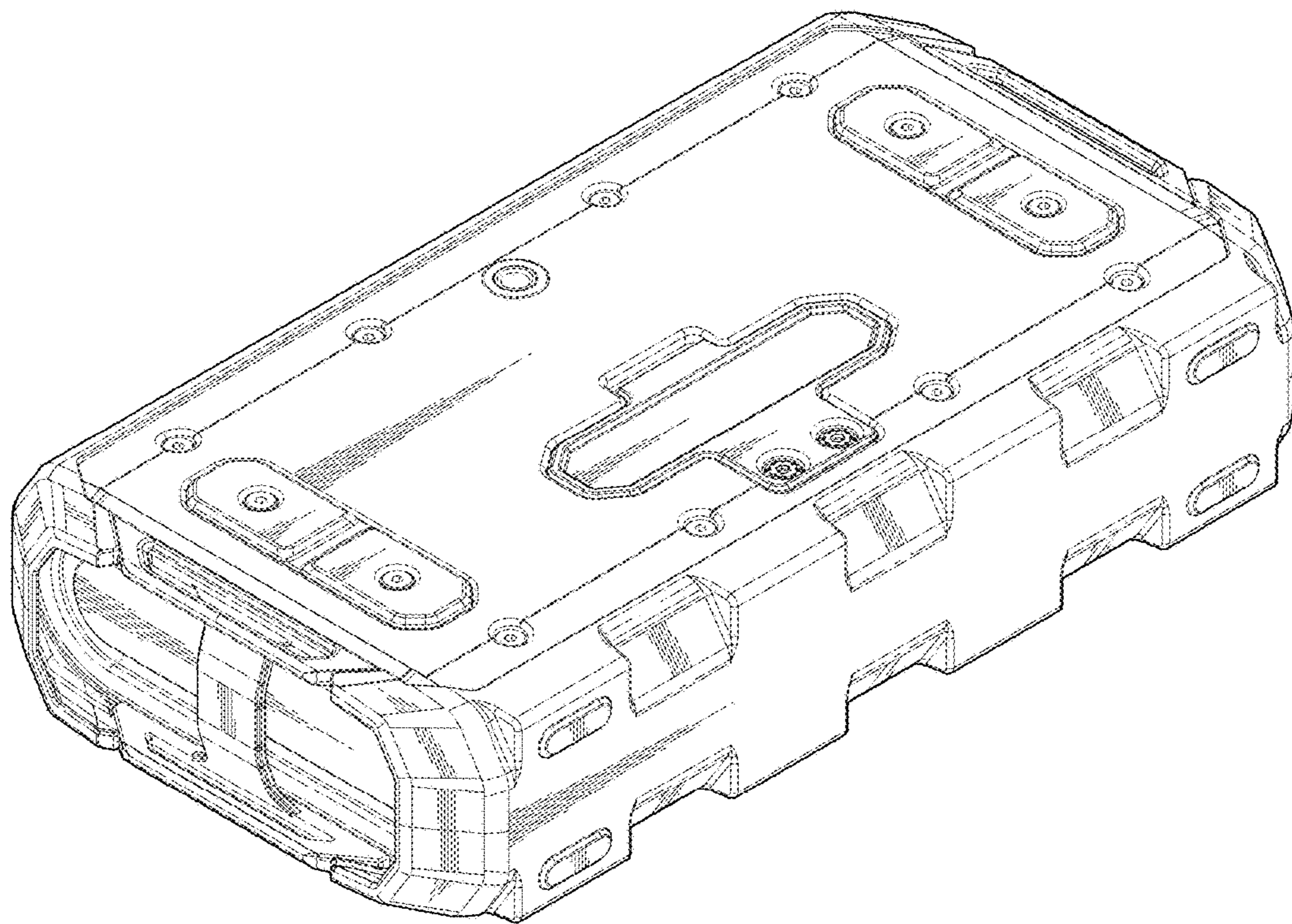


FIG. 2

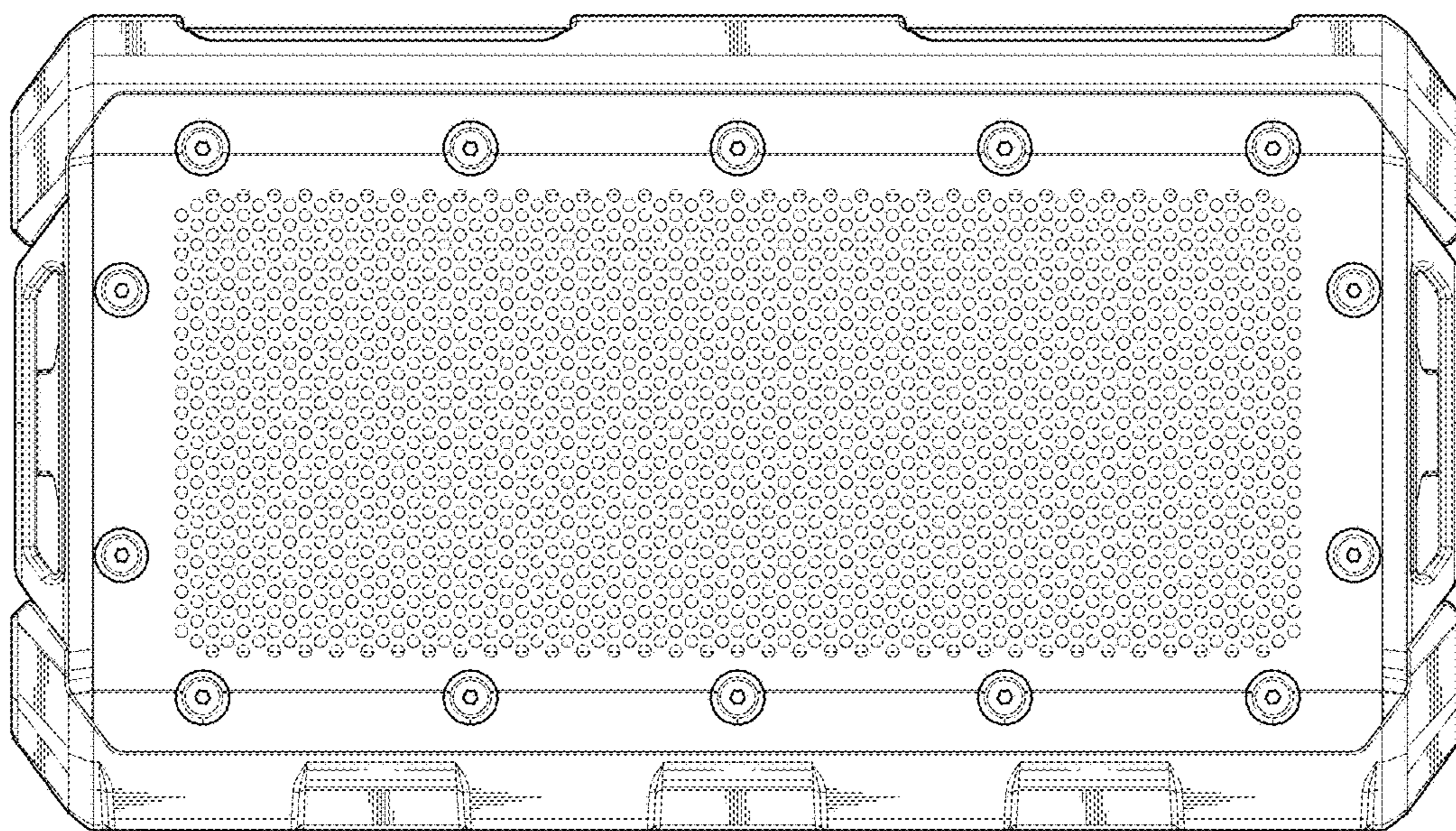


FIG. 3

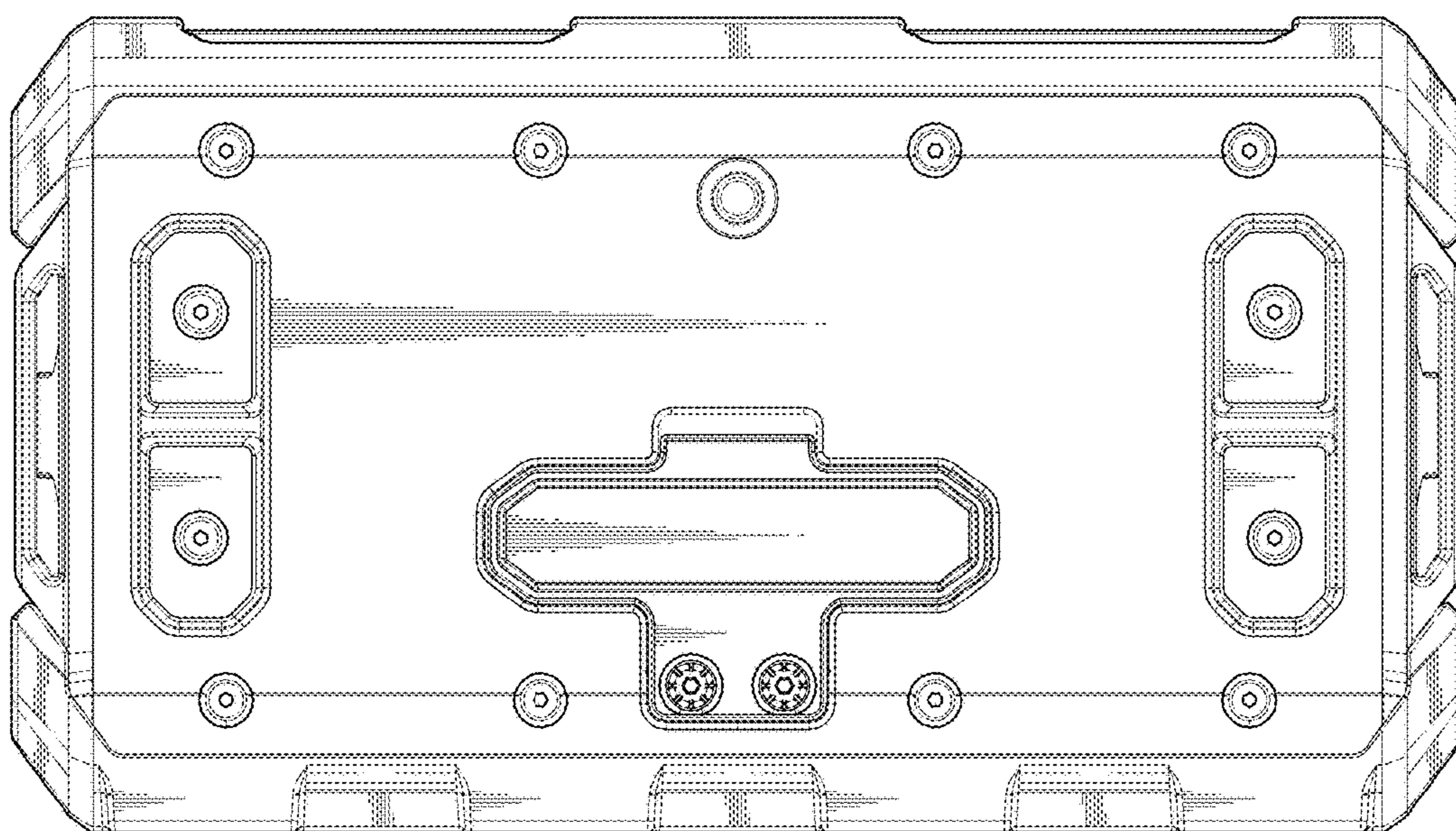


FIG. 4

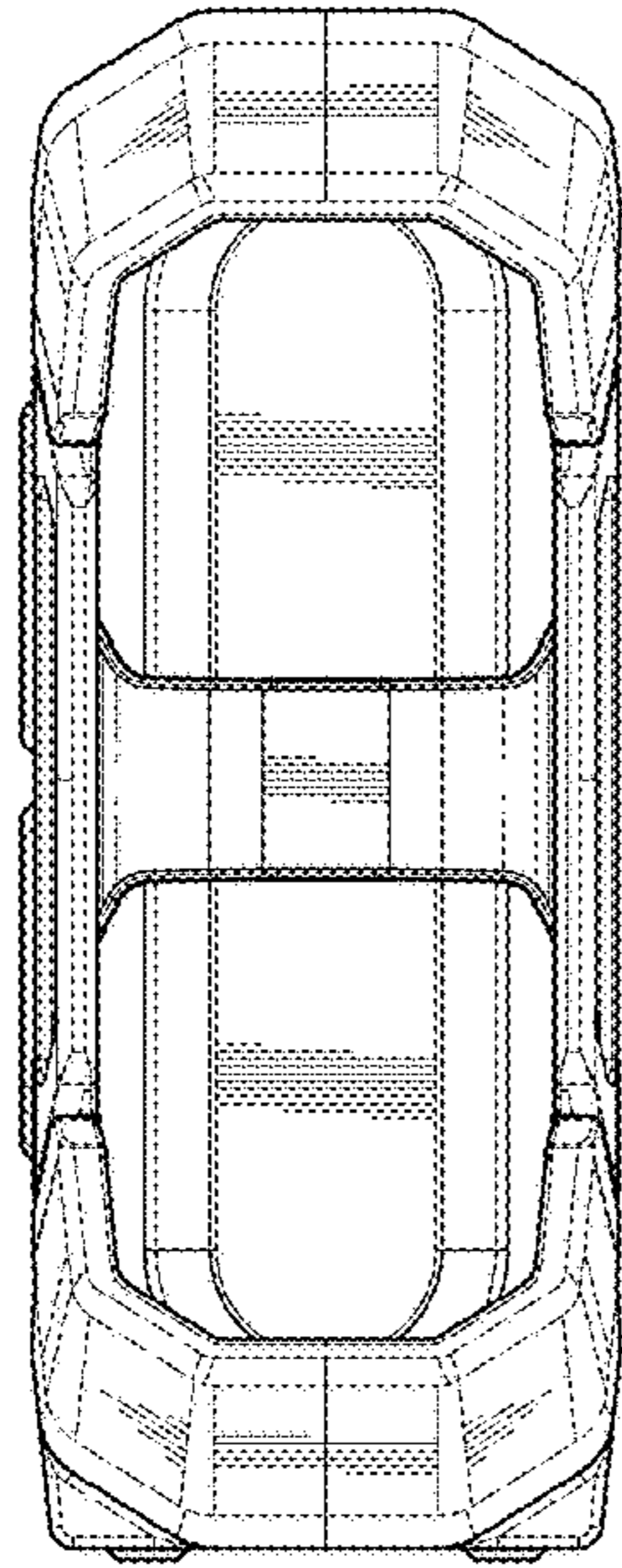


FIG. 5

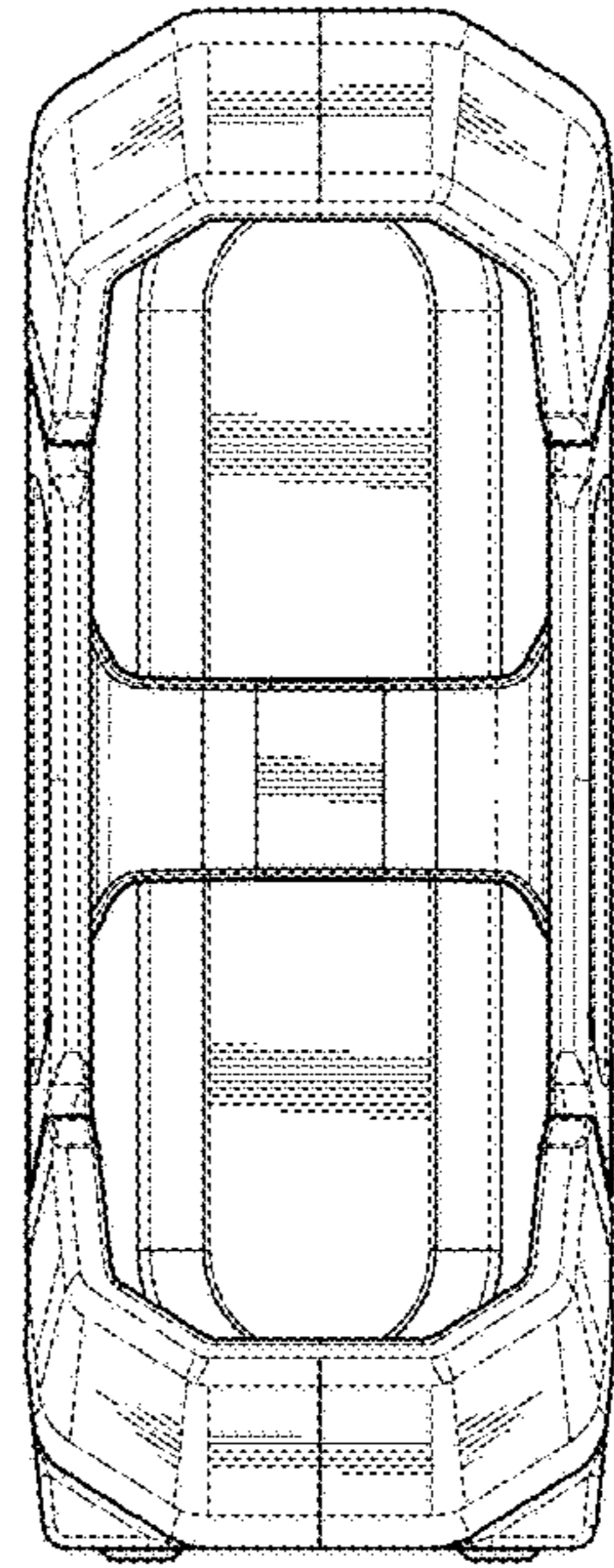


FIG. 6

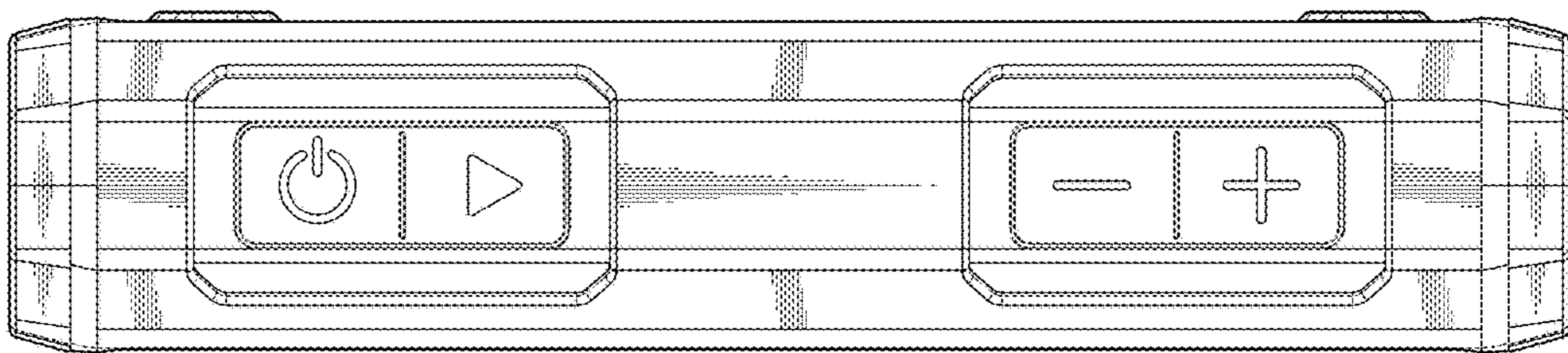


FIG. 7

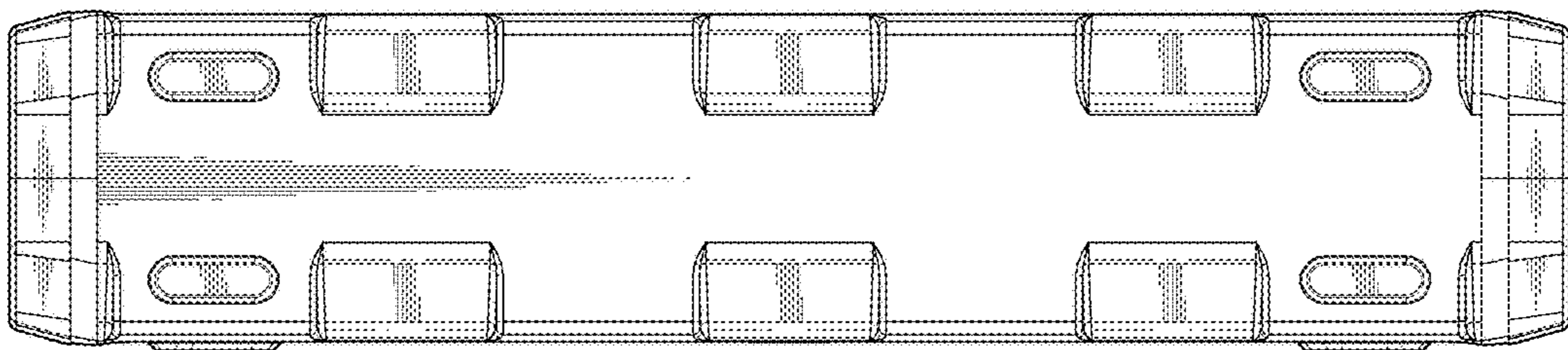


FIG. 8