



US00D803188S

(12) **United States Design Patent** (10) **Patent No.:** **US D803,188 S**  
**Ashcraft et al.** (45) **Date of Patent:** **\*\* Nov. 21, 2017**

(54) **AUDIO SPEAKER**

(71) Applicants: **Daniel Ashcraft**, Torrance, CA (US);  
**Mike Giffin**, Phoenixville, PA (US);  
**Britt Ashcraft**, Hermosa Beach, CA  
(US); **Deanna Griffith**, Topanga, CA  
(US); **John Crisco**, Ellicot City, MD  
(US)

(72) Inventors: **Daniel Ashcraft**, Torrance, CA (US);  
**Mike Giffin**, Phoenixville, PA (US);  
**Britt Ashcraft**, Hermosa Beach, CA  
(US); **Deanna Griffith**, Topanga, CA  
(US); **John Crisco**, Ellicot City, MD  
(US)

(\*\*) Term: **15 Years**

(21) Appl. No.: **29/578,249**

(22) Filed: **Sep. 20, 2016**

(51) **LOC (10) Cl.** ..... **14-01**

(52) **U.S. Cl.**  
USPC ..... **D14/214**

(58) **Field of Classification Search**  
USPC ..... D14/168, 188, 194, 195, 196, 204, 210,  
D14/211, 212, 213, 214, 215, 216  
CPC ..... B60R 11/0217; G06F 1/1688; G10K 9/22;  
G10K 11/004; H03F 1/327; H04M 1/03;  
H04M 1/035; H04N 5/642; H04N  
21/4852; H04S 3/00; H04S 7/30; H04R  
1/02; H04R 1/06; H04R 1/021; H04R  
1/025; H04R 1/026; H04R 1/028; H04R  
1/105; H04R 1/323; H04R 1/403; H04R  
1/2803; H04R 1/2834; H04R 5/02; H04R  
7/20; H04R 9/06; H04R 9/025; H04R  
2201/021; H04R 2400/00; H04R 2400/07;  
H04R 2499/11; H04R 2499/13; H04R  
2499/15

See application file for complete search history.

(56) **References Cited**

U.S. PATENT DOCUMENTS

D400,207 S	*	10/1998	Wu	.....	D14/214
D574,810 S		8/2008	Tanaka		
D578,108 S	*	10/2008	Shih	.....	D14/214
D621,383 S		8/2010	Hou		
D629,827 S	*	12/2010	Morenstein	.....	D16/221
D640,649 S		6/2011	Luo		
D650,327 S	*	12/2011	Kingston	.....	D13/107
D655,689 S		3/2012	Behar et al.		
D659,119 S		5/2012	Brunner et al.		
D662,921 S		7/2012	Clements et al.		
D675,187 S		1/2013	Nousiainen		
D681,009 S	*	4/2013	Meng	.....	D14/214
D686,193 S	*	7/2013	Giffin	.....	D14/214

(Continued)

*Primary Examiner* — Keli L Hill

*Assistant Examiner* — Karra S Johnson

(74) *Attorney, Agent, or Firm* — B. Craig Killough;  
Barnwell Whaley Patterson & Helms

(57) **CLAIM**

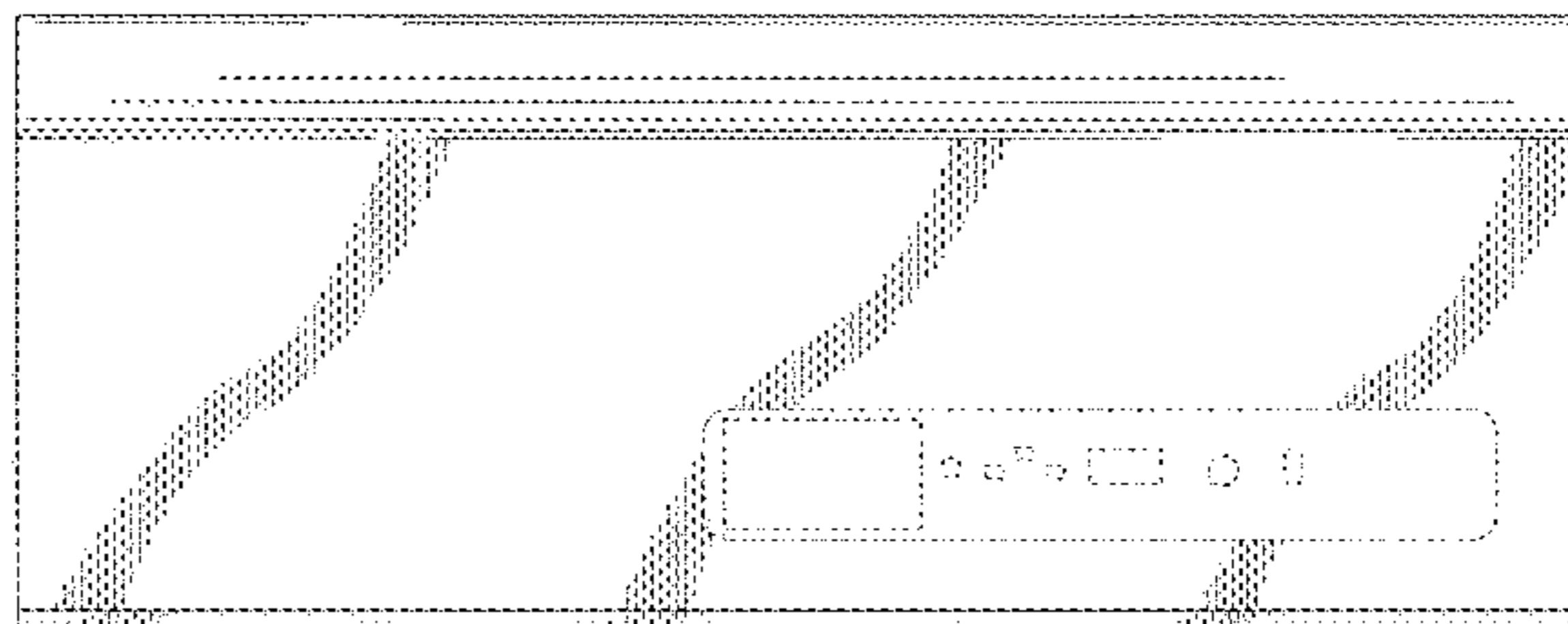
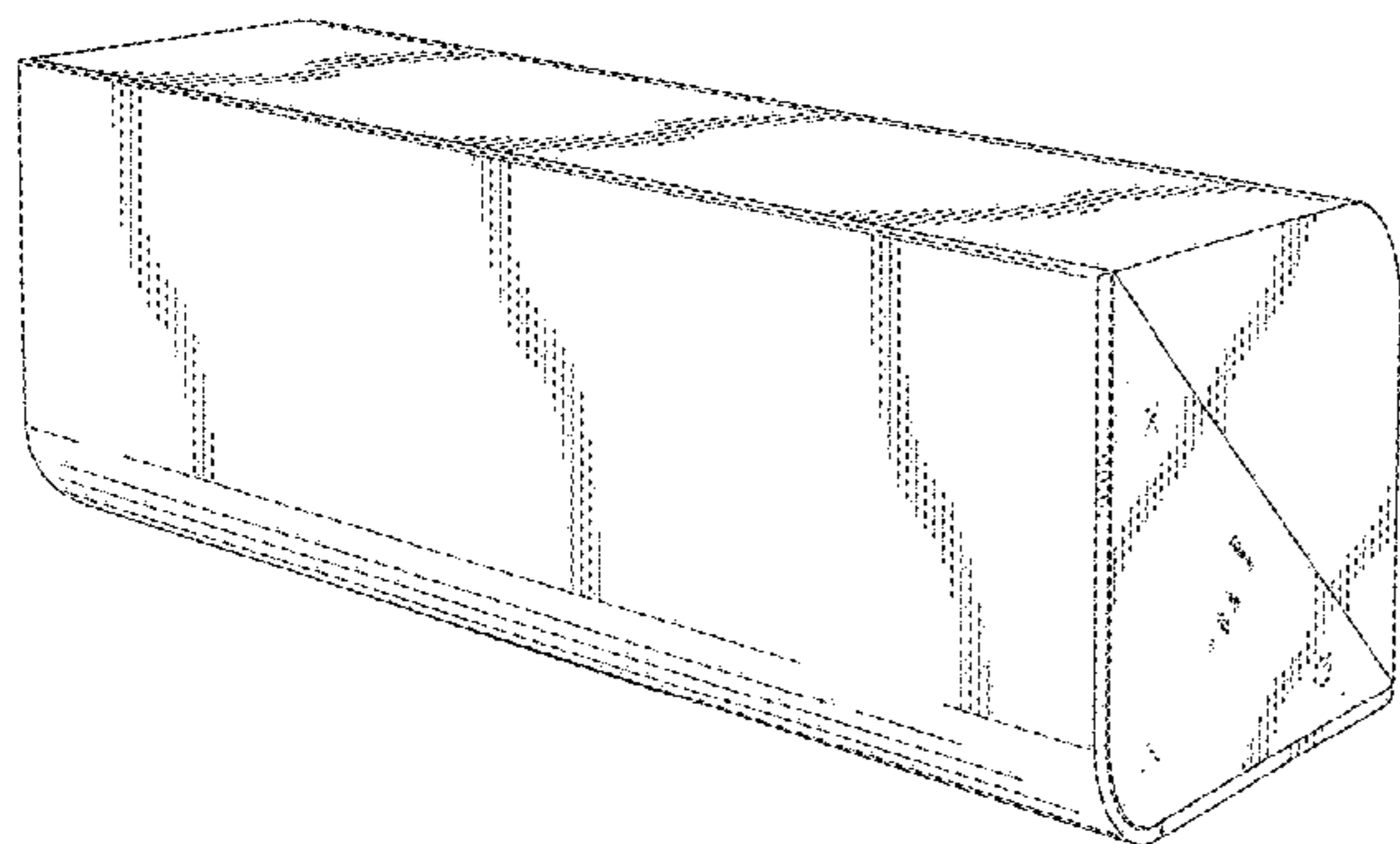
The ornamental design for an audio speaker, substantially as shown and described.

**DESCRIPTION**

FIG. 1 is a front, top left hand perspective side of an audio speaker embodying our new design;  
FIG. 2 is front elevation view of the audio speaker of FIG. 1;  
FIG. 3 is rear elevation view of the audio speaker of FIG. 1;  
FIG. 4 is a top plan view of the audio speaker of FIG. 1;  
FIG. 5 is a bottom plan view of the audio speaker of FIG. 1;  
FIG. 6 is left side elevation view of the audio speaker of FIG. 1; and,  
FIG. 7 is right side elevation view of the audio speaker of FIG. 1.

Broken lines are included for the purpose of showing unclaimed portions of the audio speaker.

**1 Claim, 6 Drawing Sheets**



(56)

**References Cited**

U.S. PATENT DOCUMENTS

D721,056 S *	1/2015	Lee	.....	D14/210
D752,550 S *	3/2016	Lee	.....	D14/216
9,301,031 B2 *	3/2016	Gengler	.....	H04R 1/00
D759,629 S *	6/2016	Kusano	.....	D14/214
D760,685 S *	7/2016	Sugiura	.....	D14/204

\* cited by examiner

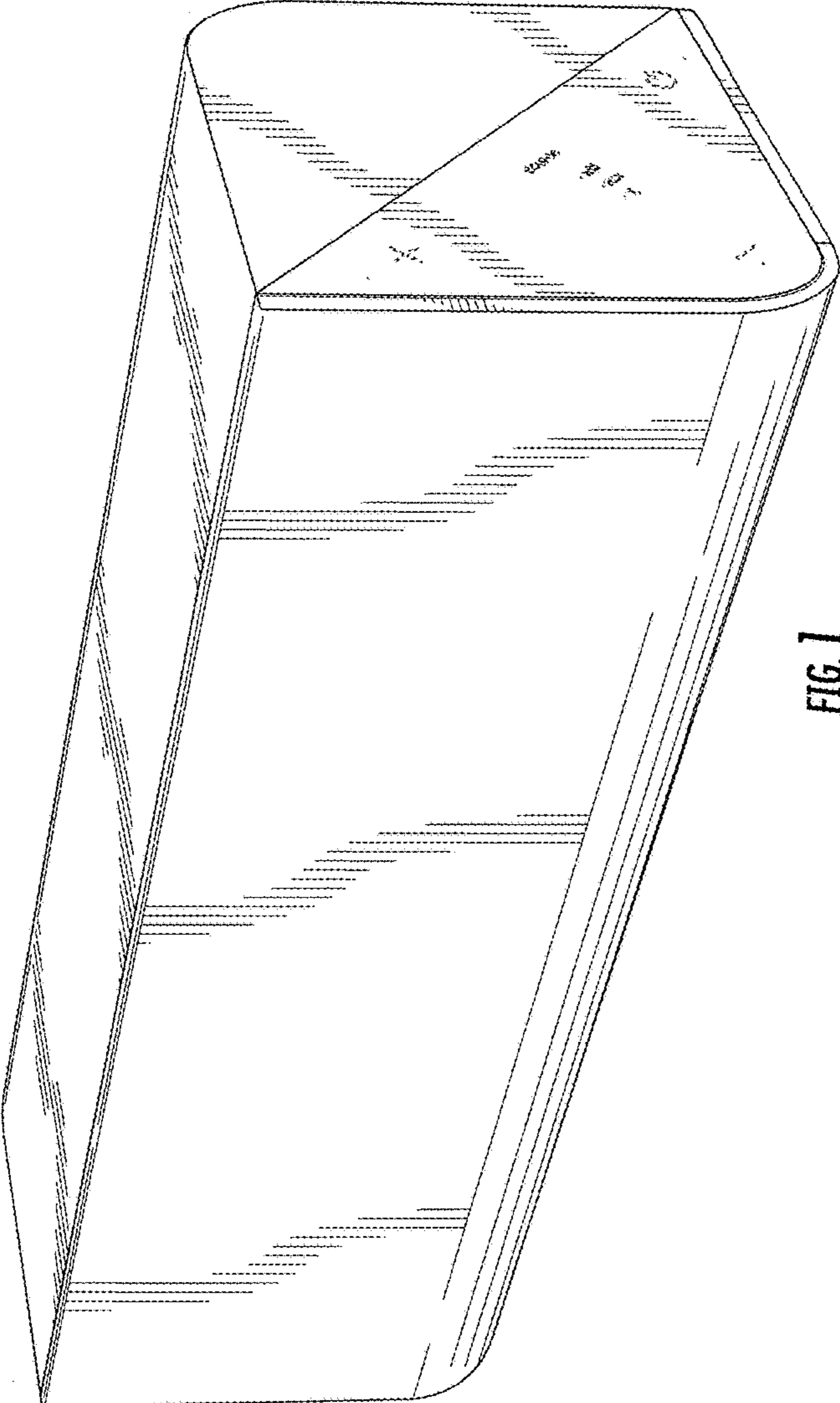


FIG. 1

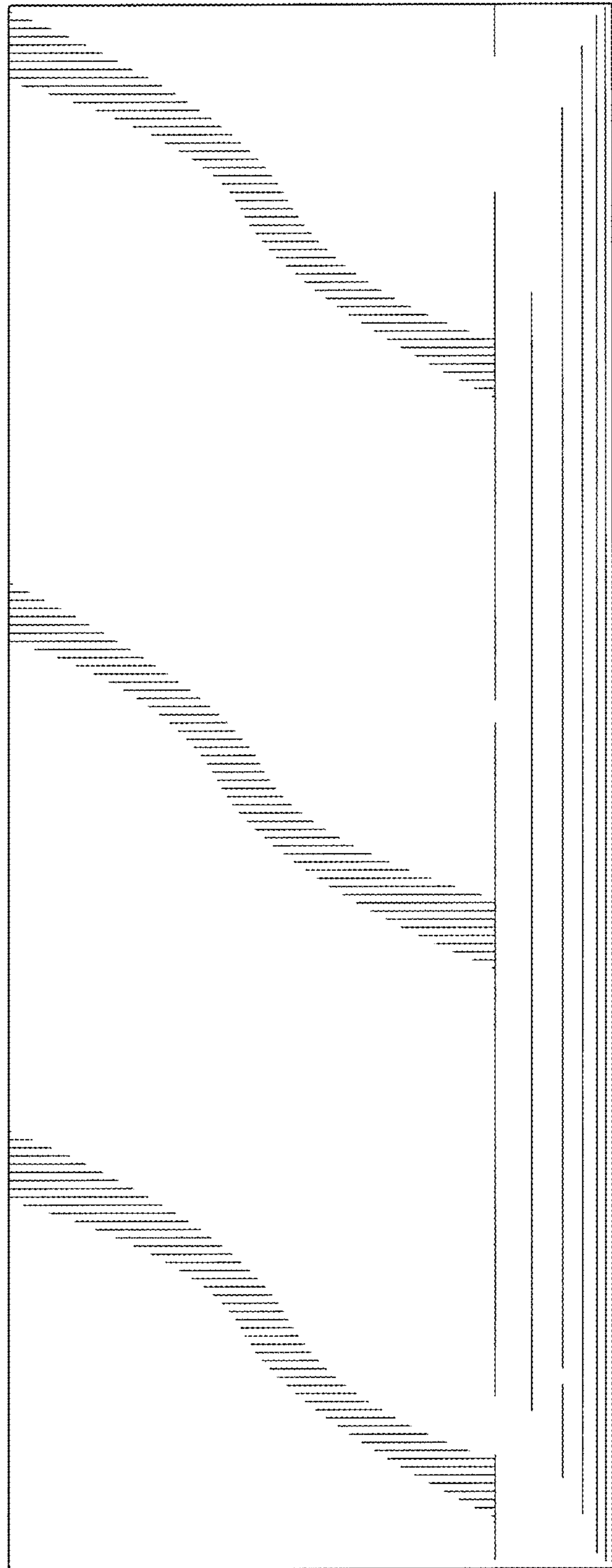


FIG. 2

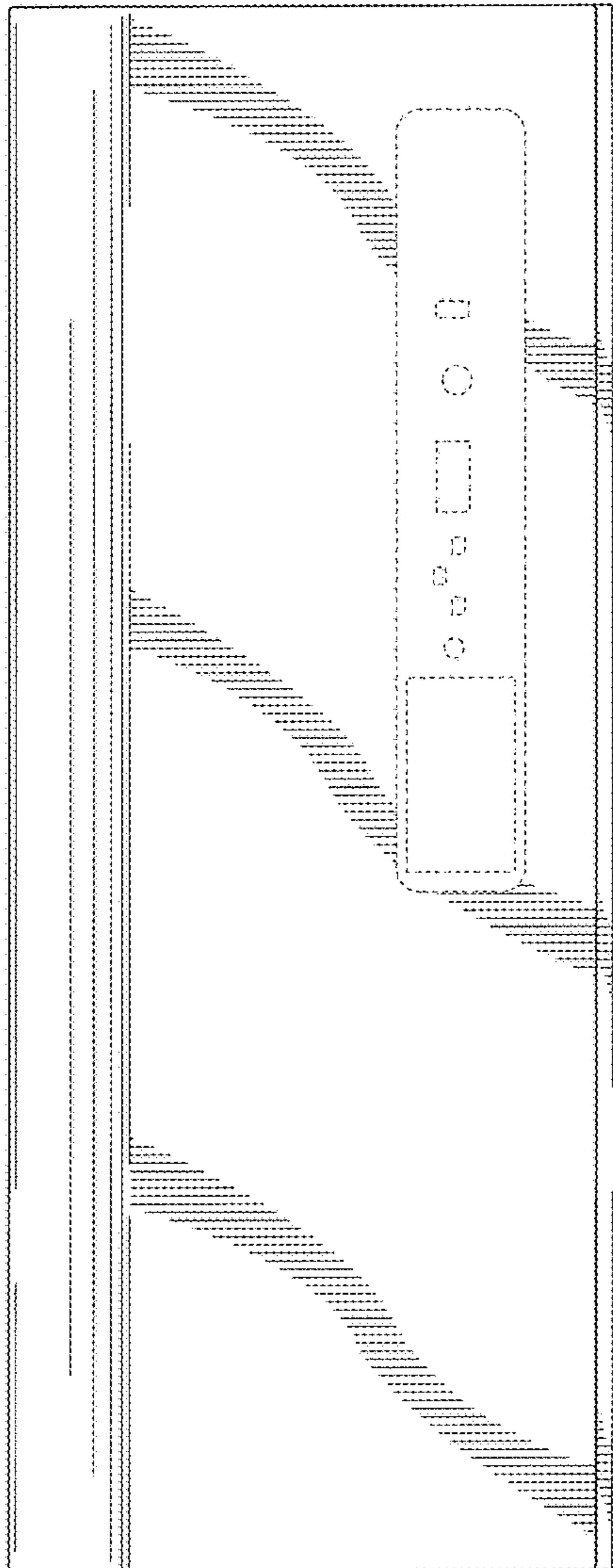


FIG. 3

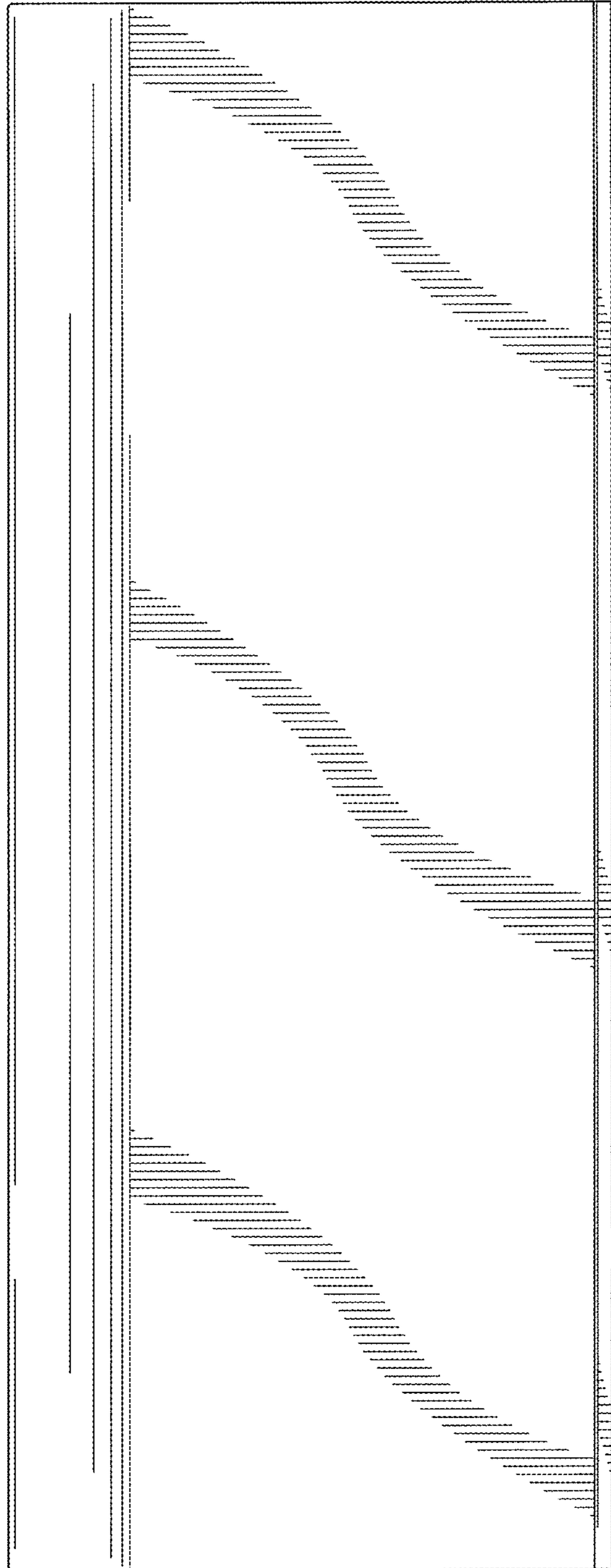


FIG. 4

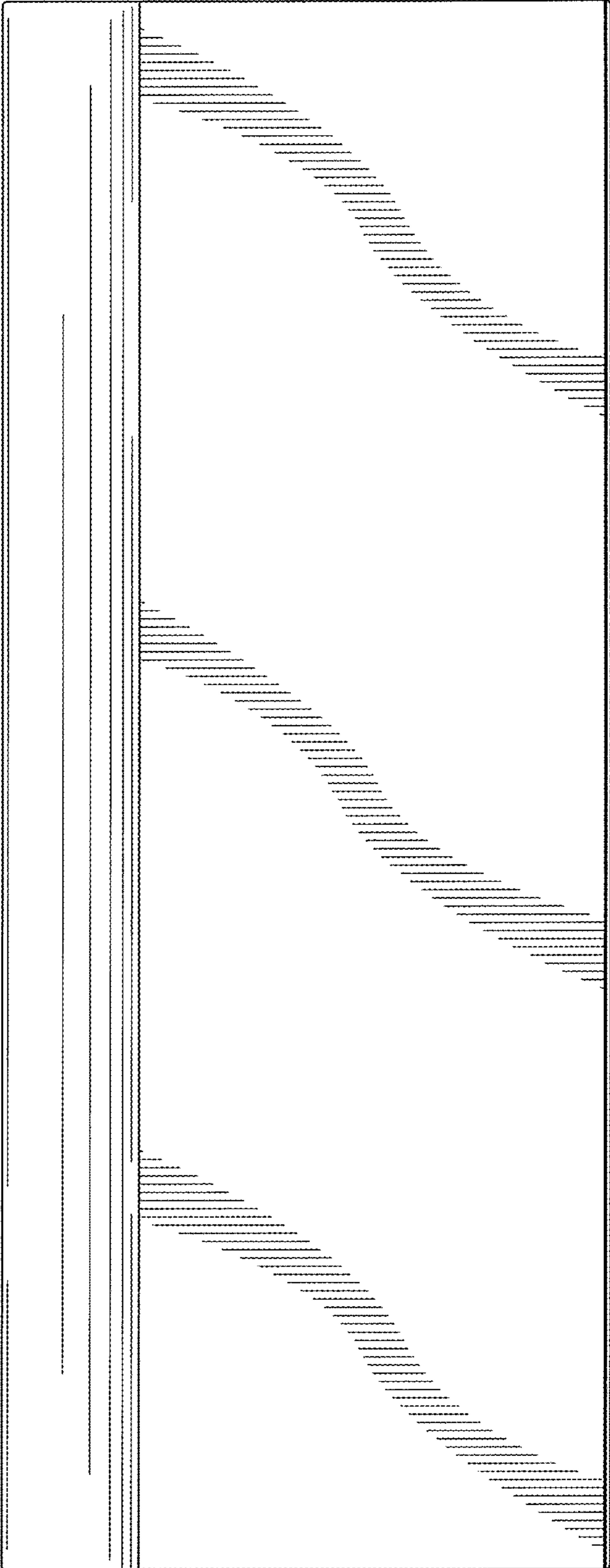


FIG. 5

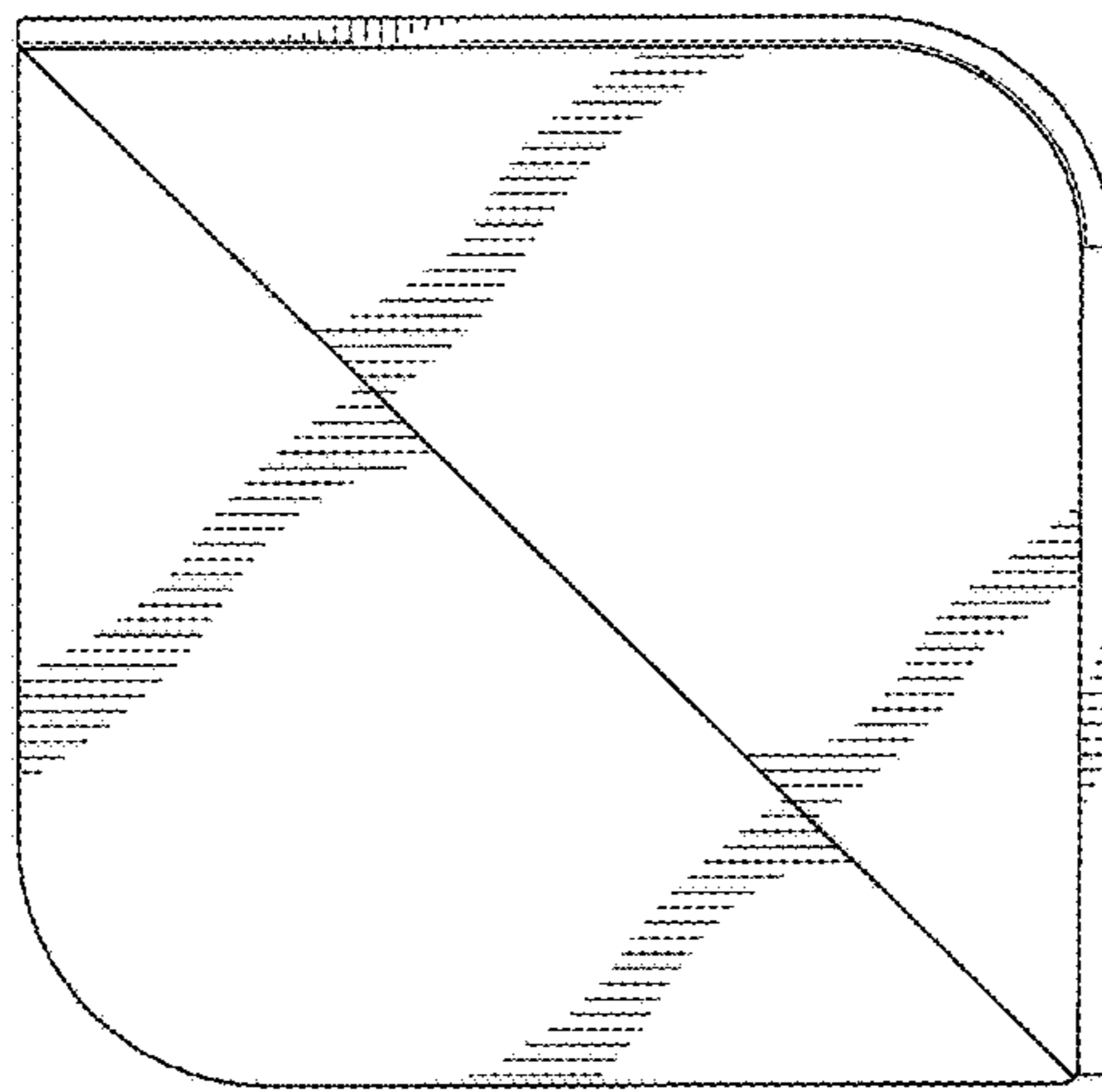


FIG 7

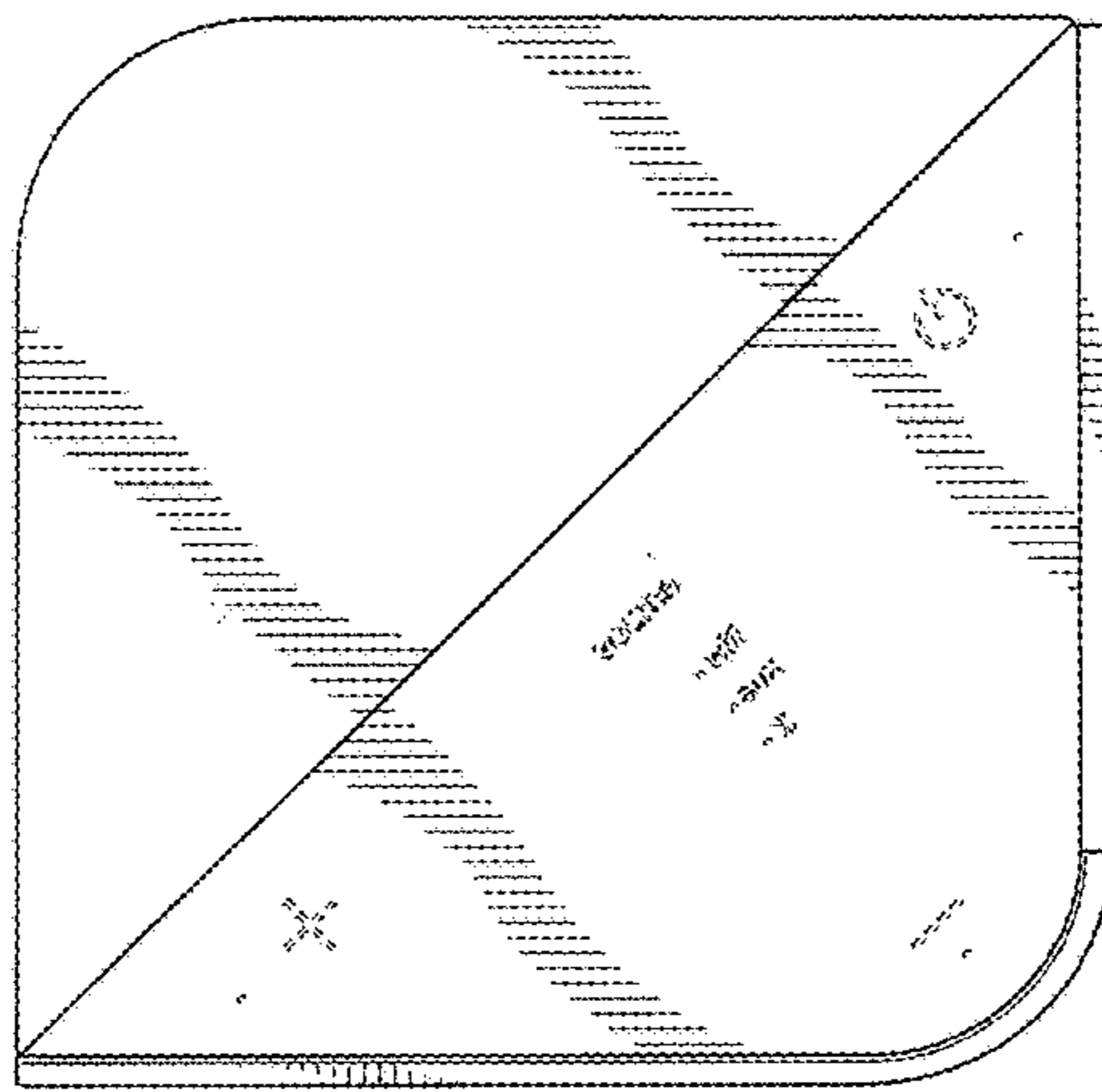


FIG 6