



US00D803187S

(12) **United States Design Patent** (10) **Patent No.:** **US D803,187 S**
Gunnarsson et al. (45) **Date of Patent:** **** Nov. 21, 2017**

(54) **SPEAKER**

(71) Applicant: **Sound Dimension AB**, Karlstad (SE)

(72) Inventors: **Fredrik Gunnarsson**, Karlstad (SE);
Victor Isaksen, Deje (SE)

(73) Assignee: **SOUND DIMENSION AB**, Karlsbad (SE)

(**) Term: **15 Years**

(21) Appl. No.: **29/547,513**

(22) Filed: **Dec. 4, 2015**

(51) **LOC (10) Cl.** **14-01**

(52) **U.S. Cl.**
USPC **D14/214**; D14/210

(58) **Field of Classification Search**
USPC D14/168, 188, 194, 195, 196, 204, 210,
D14/211, 212, 213, 214, 215, 216
CPC B60R 11/0217; G06F 1/1688; G10K 9/22;
G10K 11/004; H03F 1/327; H04M 1/03;
H04M 1/035; H04N 5/642; H04N
21/4852; H04S 3/00; H04S 7/30; H04R
1/02; H04R 1/06; H04R 1/021; H04R
1/025; H04R 1/026; H04R 1/028; H04R
1/105; H04R 1/323; H04R 1/403; H04R
1/2803; H04R 1/2834; H04R 5/02; H04R
7/20; H04R 9/06; H04R 9/025; H04R
2201/021; H04R 2400/00; H04R 2400/07;
H04R 2499/11; H04R 2499/13; H04R
2499/15

See application file for complete search history.

(56) **References Cited**

U.S. PATENT DOCUMENTS

D238,182 S * 12/1975 Kizawa D14/210
D317,919 S * 7/1991 Kawanabe D14/210
D369,356 S * 4/1996 Olson D14/214
D422,590 S * 4/2000 Kloss D14/194
D473,210 S * 4/2003 Solland D14/188

D560,656 S * 1/2008 Andre D14/214
D571,355 S * 6/2008 Koizumi D14/214
D659,670 S * 5/2012 Goetzen D14/194
D660,285 S * 5/2012 Lee D14/214
D672,748 S * 12/2012 Burlingame, III D14/214
D677,245 S * 3/2013 Joseph D14/204
D684,948 S * 6/2013 Burlingame D14/204
D710,328 S * 8/2014 Kim D14/212
D739,380 S * 9/2015 Bolton D14/214
D756,329 S * 5/2016 Warden D14/204
D761,762 S * 7/2016 Andrews D14/210
D768,602 S * 10/2016 Reichert D14/204
D771,585 S * 11/2016 Espinosa D14/204

(Continued)

OTHER PUBLICATIONS

@aiFidelity—Twitter Posting, announced Dec. 22, 2014 [online],
[site visited Mar. 16, 2017]. Available from internet, URL: <https://
twitter.com/aifidelity?lang=en>.*

(Continued)

Primary Examiner — Keli L Hill

Assistant Examiner — Karra S Johnson

(74) *Attorney, Agent, or Firm* — Studebaker & Brackett
PC

(57) **CLAIM**

The ornamental design for a speaker, as shown and
described.

DESCRIPTION

FIG. 1 is a perspective view showing my new design for a
speaker,

FIG. 2 is a top view thereof,

FIG. 3 is a bottom view thereof,

FIG. 4 is a front view thereof,

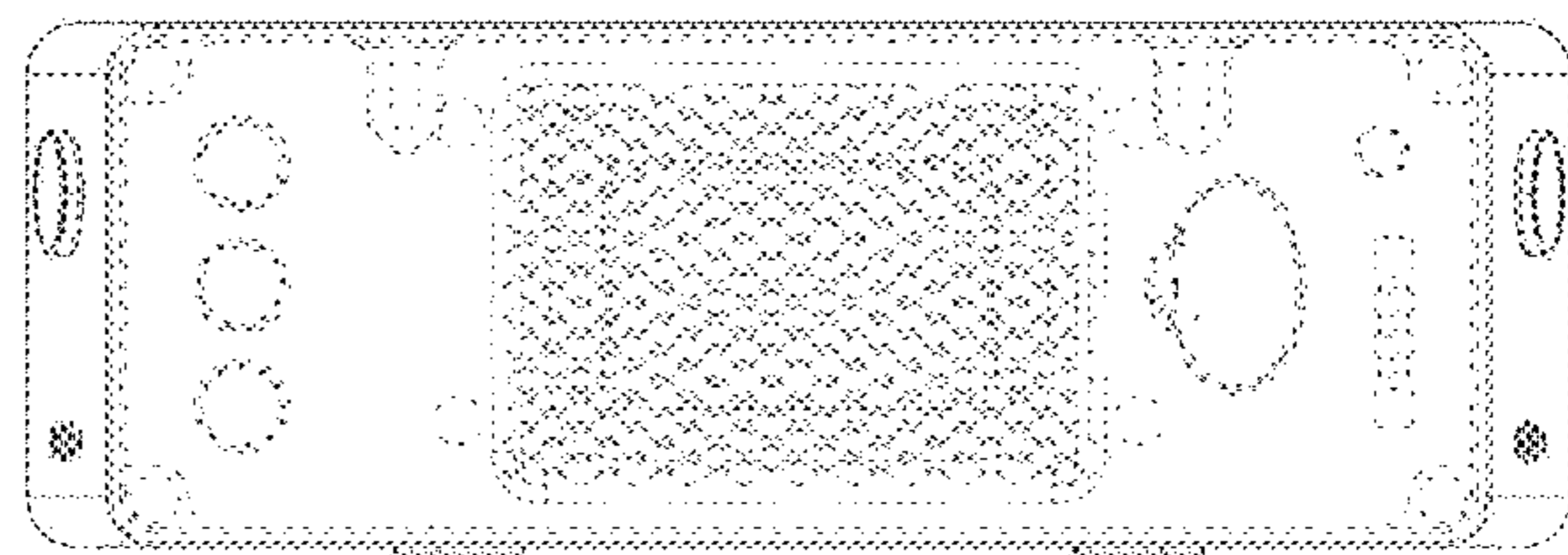
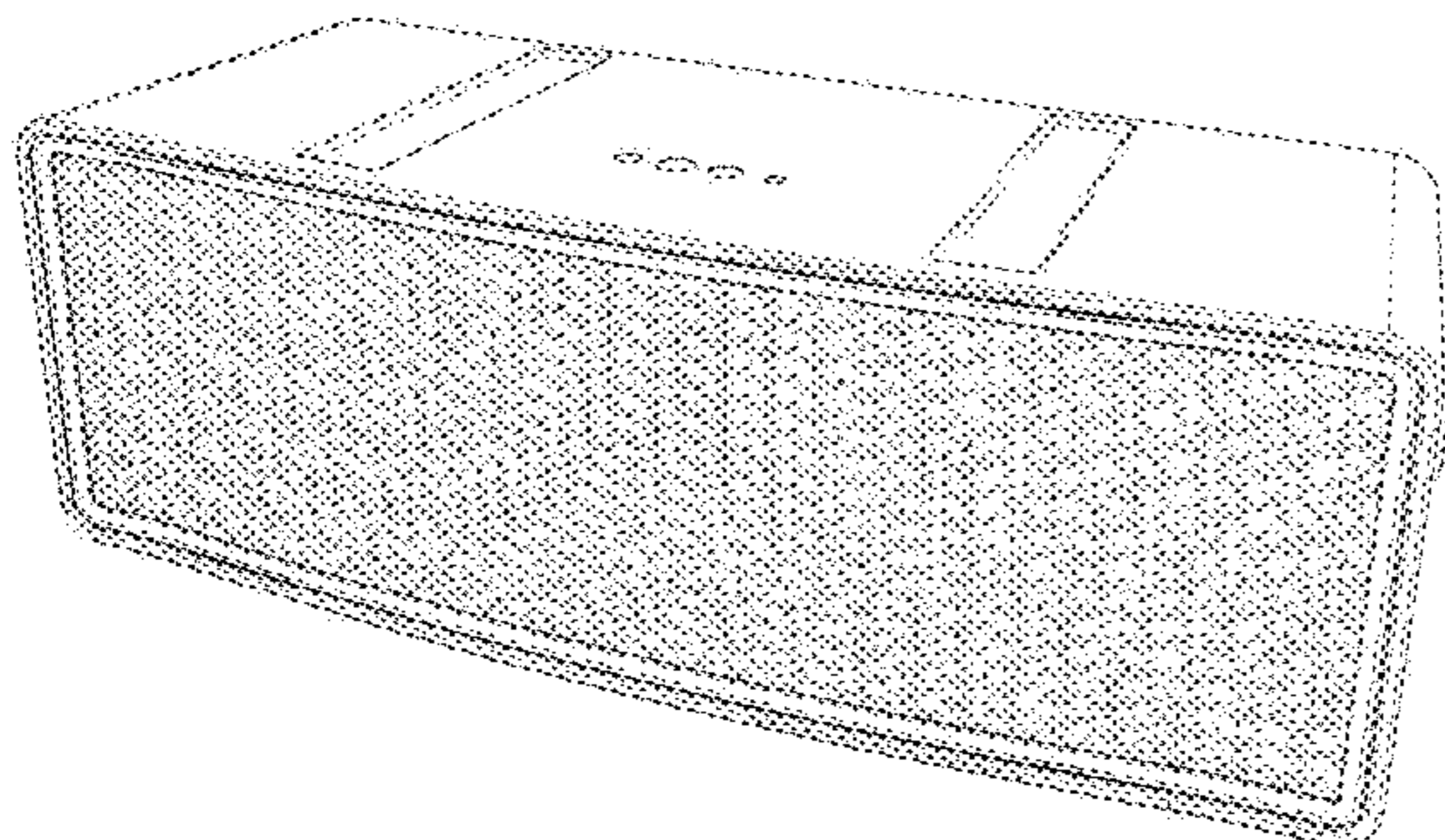
FIG. 5 is a rear view thereof,

FIG. 6 is a right side view thereof; and,

FIG. 7 is a left side view thereof.

The broken lines showing features of the speaker form no
part of the claimed design.

1 Claim, 7 Drawing Sheets



(56)

References Cited

U.S. PATENT DOCUMENTS

2014/0355806 A1* 12/2014 Graff H04R 1/025
381/334
2015/0063619 A1* 3/2015 Wenger H04R 1/026
381/334

OTHER PUBLICATIONS

Backerjack—AiFi Speakers Review, announced Jan. 25, 2015 [online], [site visited Mar. 16, 2017]. Available from internet, URL: <<http://backerjack.com/aifi-speakers-promise-great-sound-lego-like-stacking-capabilities/>>.*

The Verge—Sonos Play:3 review, announced Oct. 12, 2011 [online], [site visited Mar. 16, 2017]. Available from internet, URL: <<http://www.theverge.com/2011/10/12/2481479/sonos-play-3-re-view>>.*

* cited by examiner

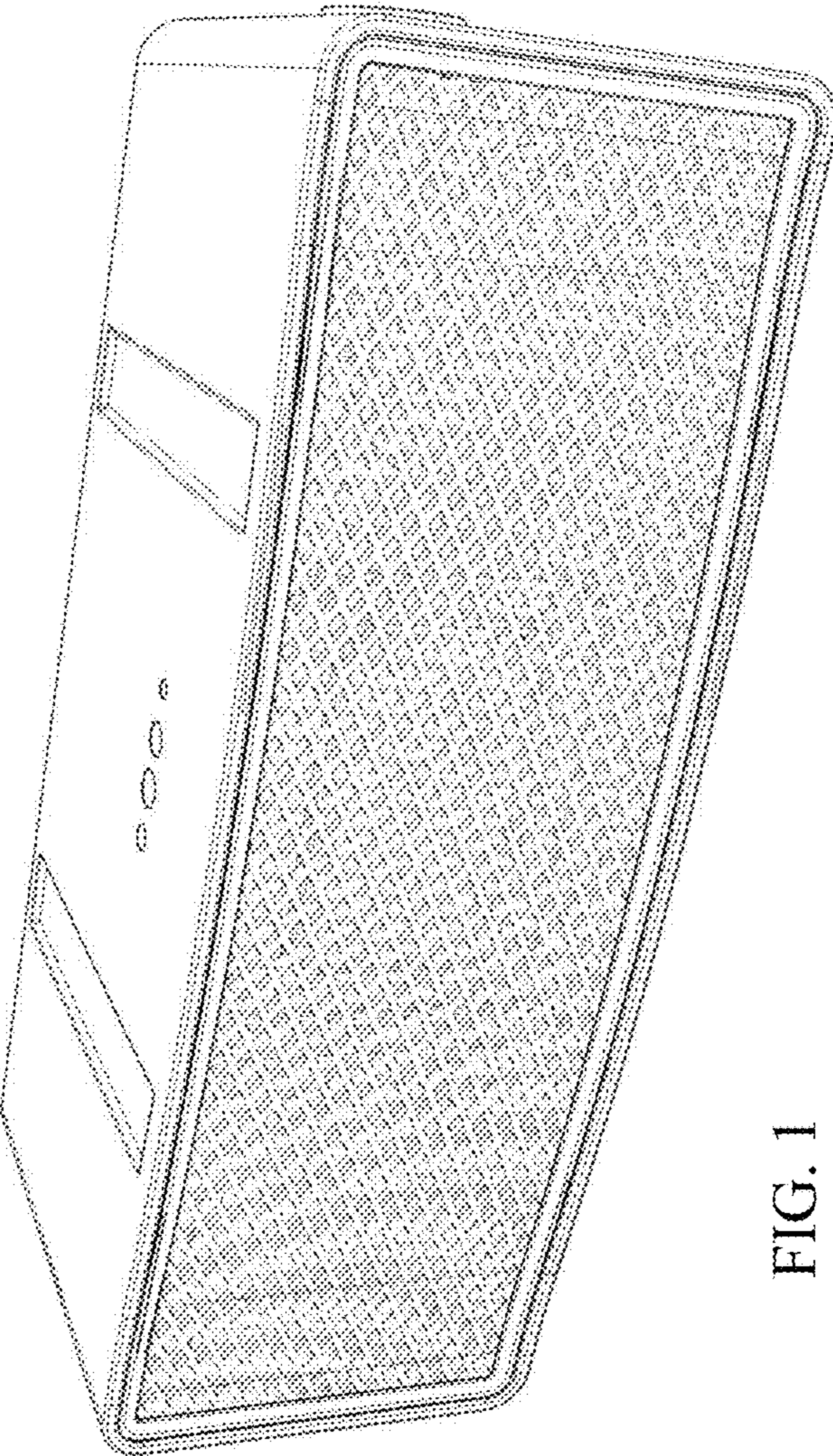


FIG. 1

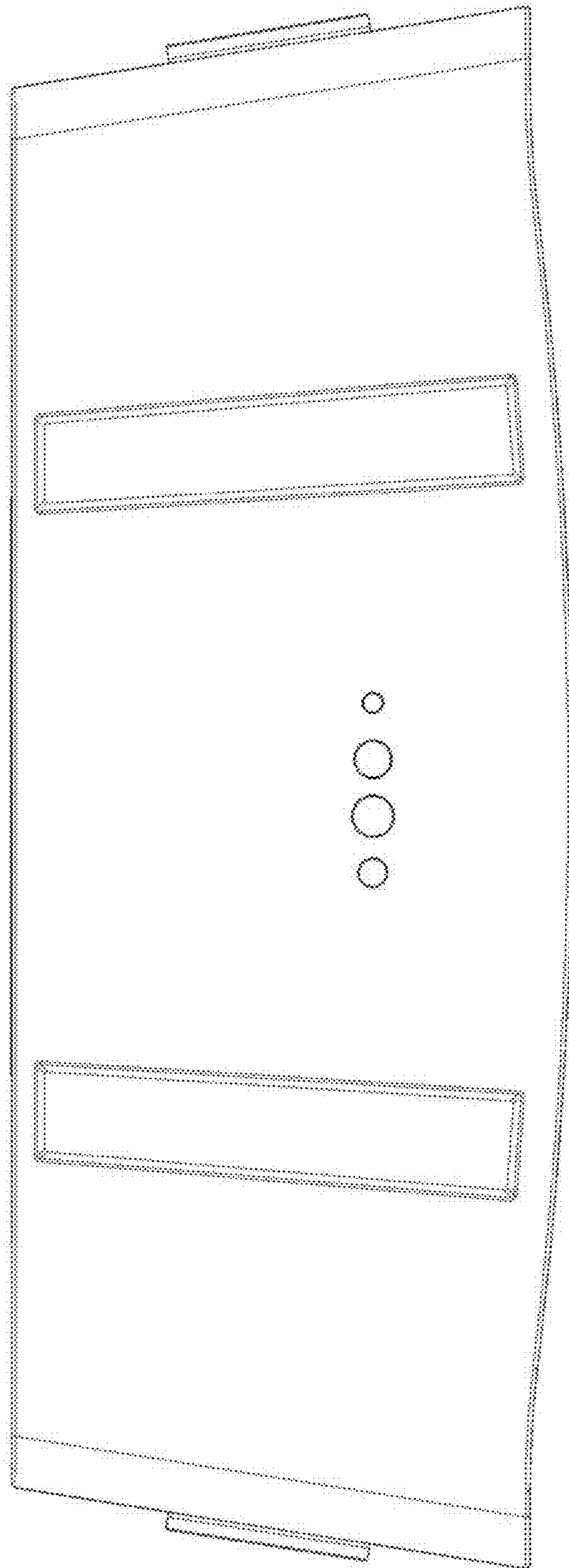


FIG. 2

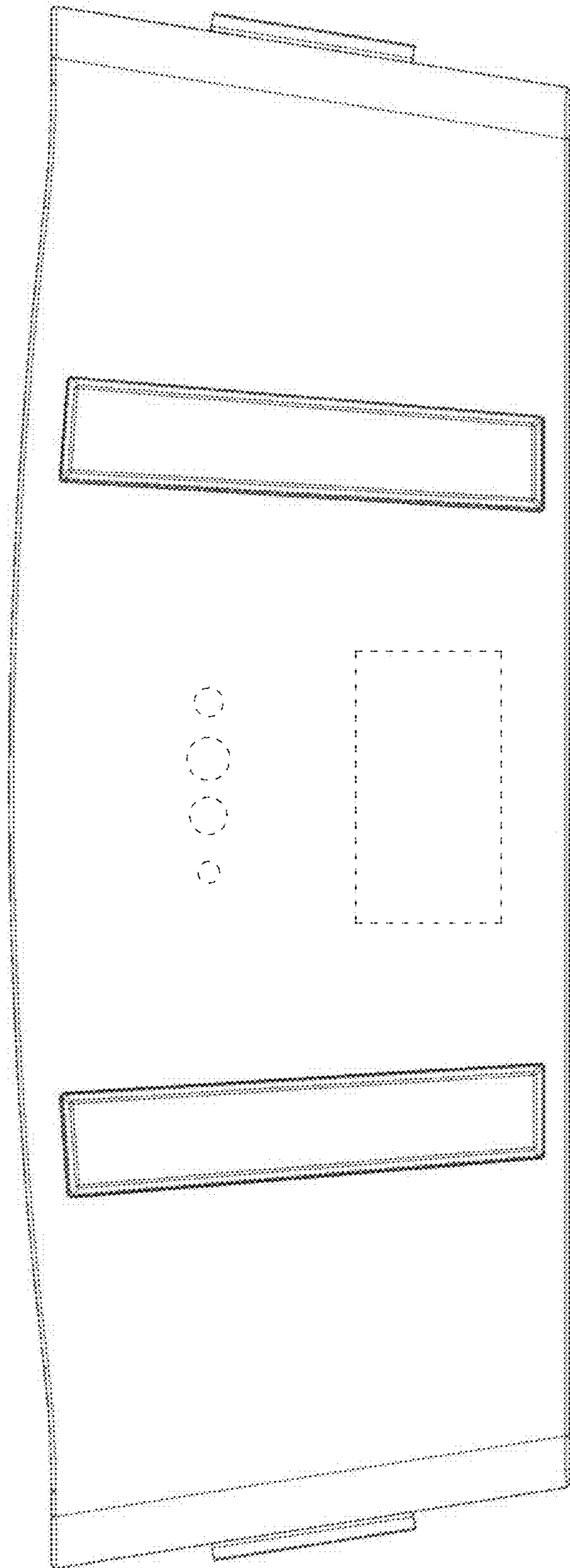


FIG. 3

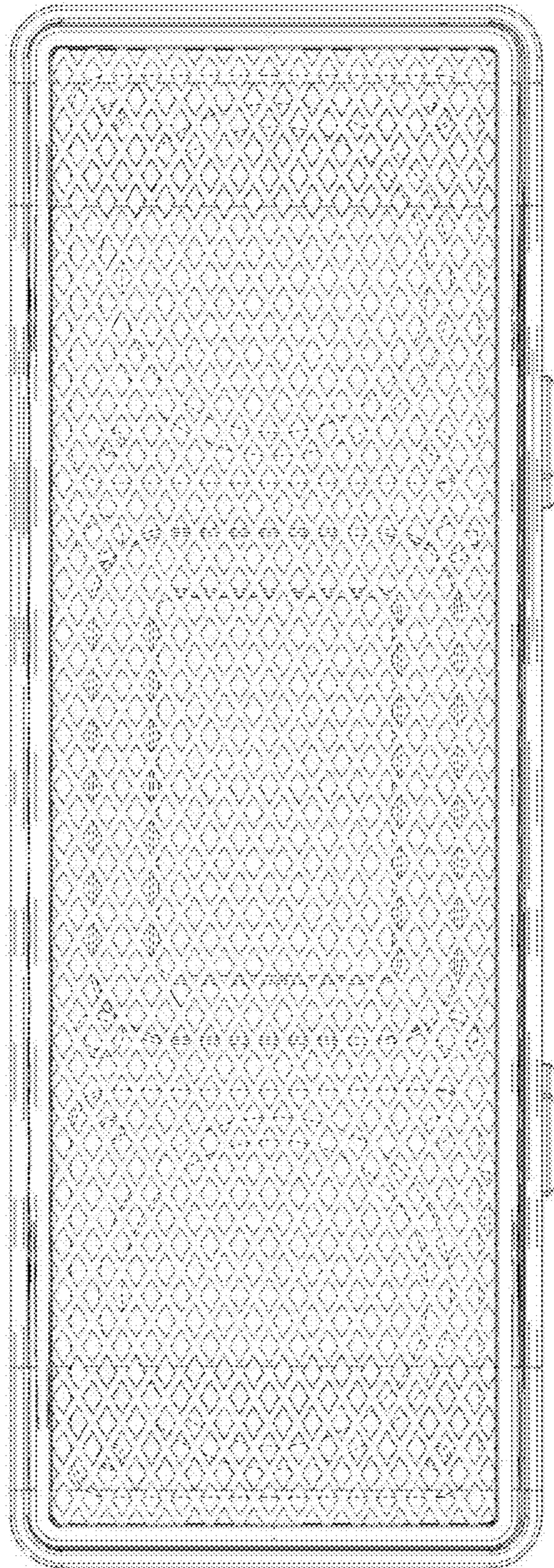


FIG. 4

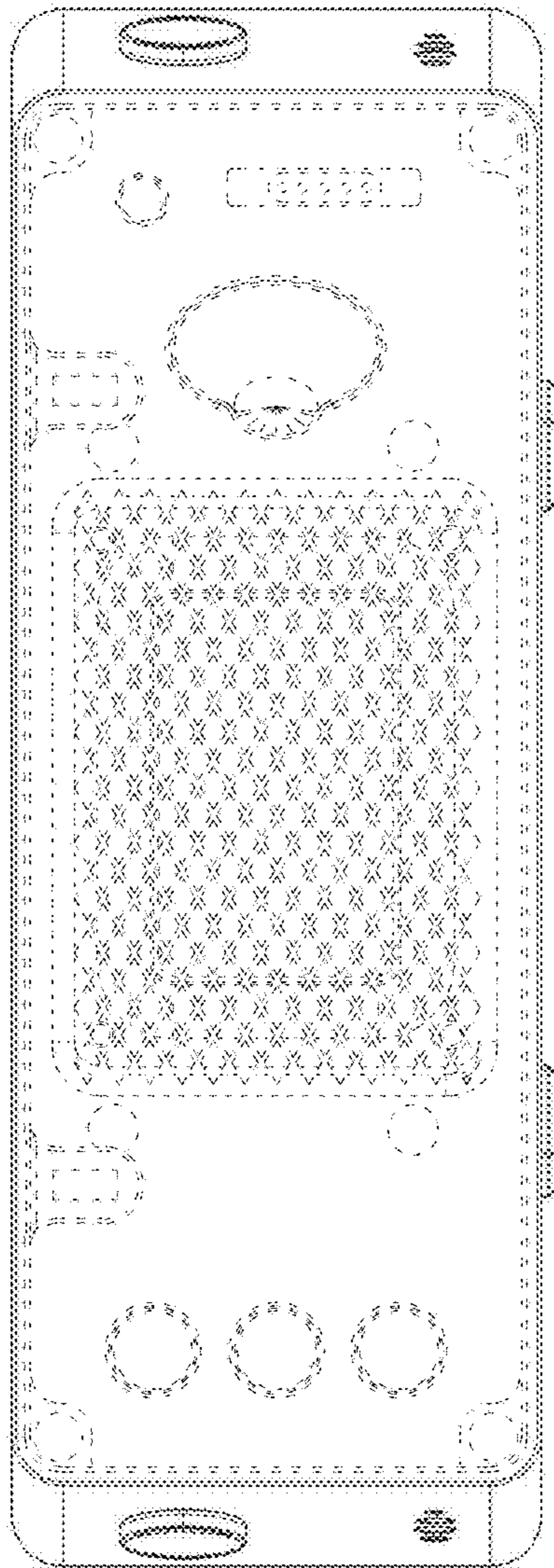


FIG. 5

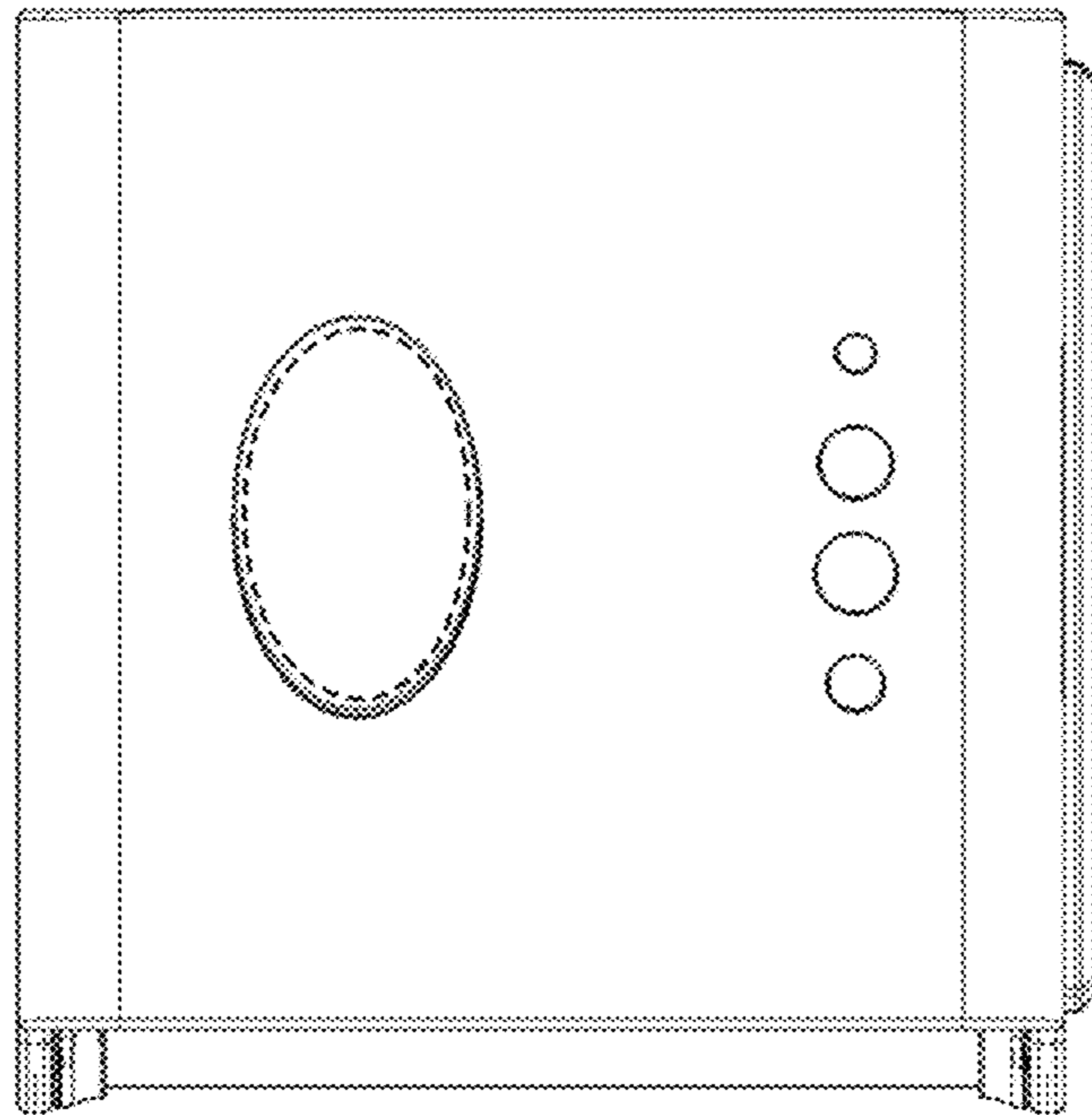


FIG. 6

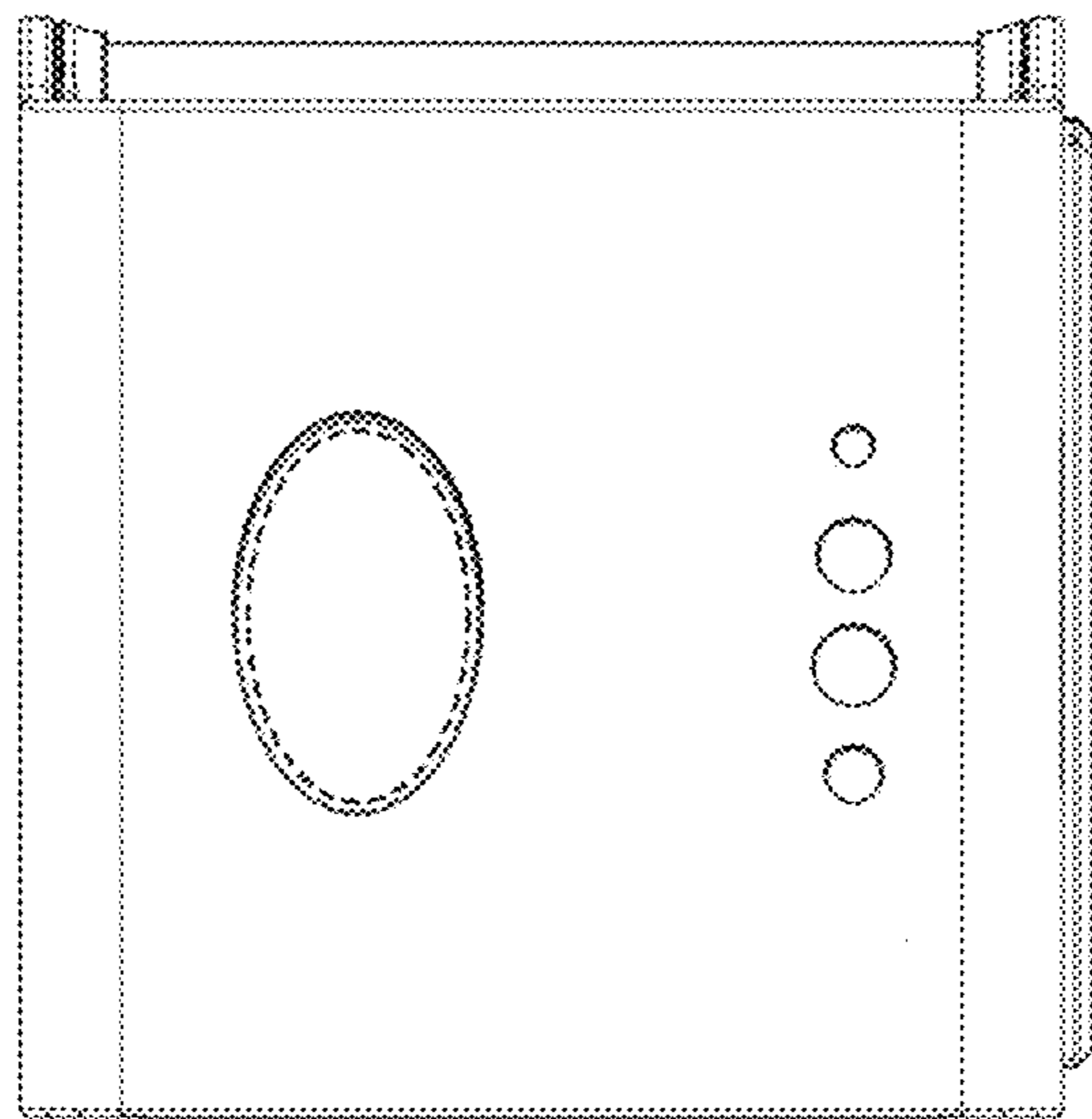


FIG. 7