



US00D803184S

(12) **United States Design Patent** (10) **Patent No.:** **US D803,184 S**
Loh Jun Kern et al. (45) **Date of Patent:** **** Nov. 21, 2017**

(54) **PAIR OF EARPHONES**

(71) Applicant: **Sennheiser electronic GmbH & Co. KG**, Wedemark (DE)

(72) Inventors: **Rodney Loh Jun Kern**, Singapore (SG); **Chang Tat Lee**, Singapore (SG); **Alden Koh**, Singapore (SG); **Thomas Pierre Rene Tellier**, Singapore (SG)

(73) Assignee: **Sennheiser electronic GmbH & Co. KG**, Wedemark (DE)

(**) Term: **15 Years**

(21) Appl. No.: **29/561,360**

(22) Filed: **Apr. 15, 2016**

Related U.S. Application Data

(62) Division of application No. 29/519,004, filed on Mar. 2, 2015, now Pat. No. Des. 774,489.

(30) **Foreign Application Priority Data**

Sep. 3, 2014 (EM) 002530527-0001
Sep. 3, 2014 (EM) 002530527-0004

(Continued)

(51) **LOC (10) Cl.** **14-01**

(52) **U.S. Cl.**
USPC **D14/205**; D14/223

(58) **Field of Classification Search**
USPC D14/205, 223; 181/129, 130, 135;
379/430, 431; 381/380, 381; 455/90.3,
455/575.1, 569.1

(Continued)

(56) **References Cited**

U.S. PATENT DOCUMENTS

1,406,510 A 2/1922 Weber
3,440,365 A 4/1969 Bryant et al.

(Continued)

Primary Examiner — Paula Allen Greene

(74) *Attorney, Agent, or Firm* — Haug Partners LLP

(57) **CLAIM**

The ornamental design for a pair of earphones, as shown and described.

DESCRIPTION

FIG. 1.1 is an isometric view of the pair of earphones in accordance with a first embodiment of the invention.

FIG. 1.2 is a left side view of the pair of earphones in accordance with a first embodiment of the invention.

FIG. 1.3 is a rear side view of the pair of earphones in accordance with a first embodiment of the invention.

FIG. 1.4 is a right side view of the pair of earphones in accordance with a first embodiment of the invention.

FIG. 1.5 is a front side view of the earphones in accordance with a first embodiment of the invention.

FIG. 1.6 is a top view of the pair of earphones in accordance with a first embodiment of the invention.

FIG. 1.7 is a bottom view of the pair of earphones in accordance with a first embodiment of the invention.

FIG. 2.1 is an isometric view of the pair of earphones in accordance with a second embodiment of the invention.

FIG. 2.2 is a left side view of the pair of earphones in accordance with a second embodiment of the invention.

FIG. 2.3 is a rear side view of the pair of earphones in accordance with a second embodiment of the invention.

FIG. 2.4 is a right side view of the pair of earphones in accordance with a second embodiment of the invention.

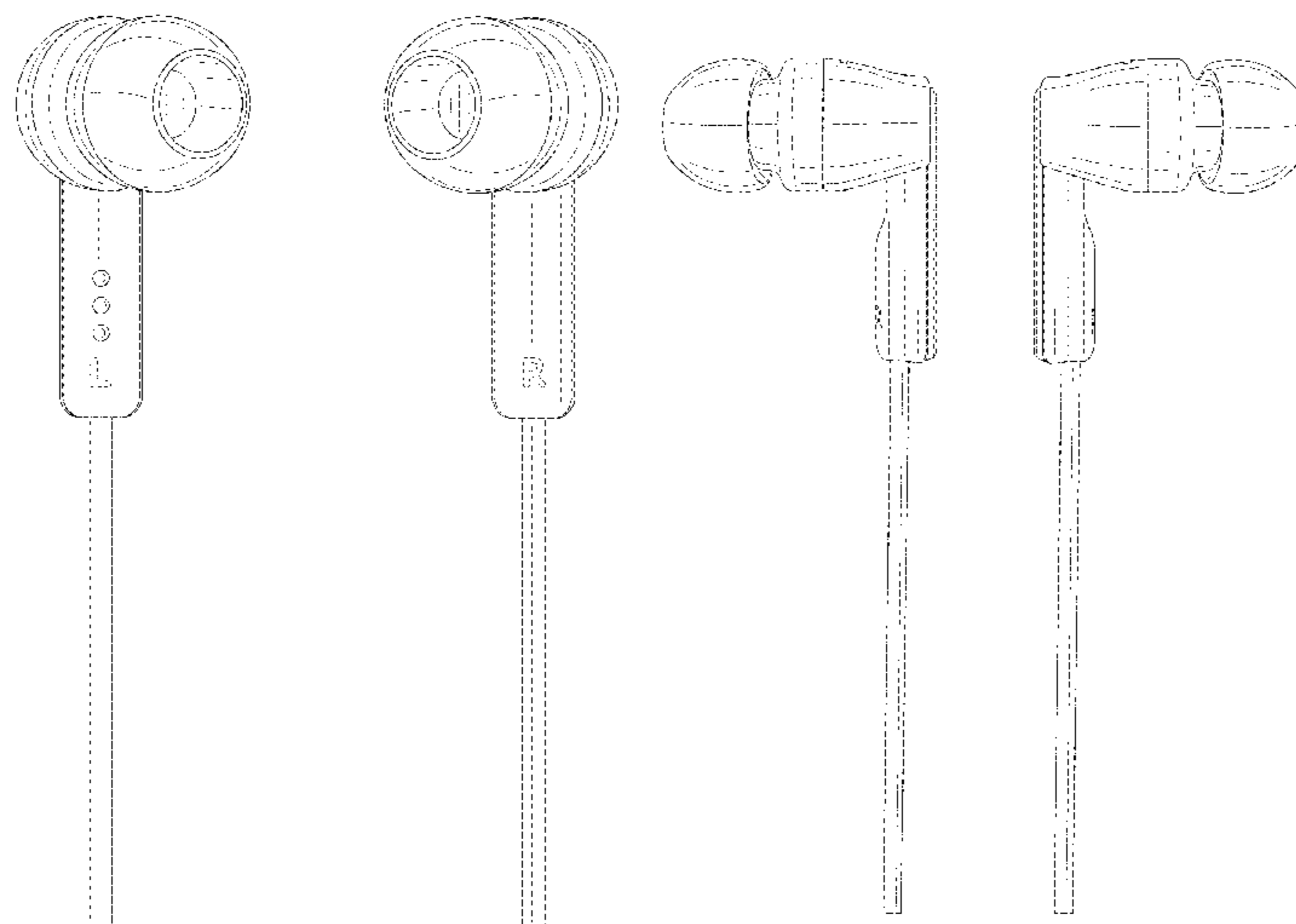
FIG. 2.5 is a front side view of the pair of earphones in accordance with a second embodiment of the invention.

FIG. 2.6 is a top view of the pair of earphones in accordance with a second embodiment of the invention; and,

FIG. 2.7 is a bottom view of the pair of earphones in accordance with a second embodiment of the invention.

The broken lines shown in the figures are for the purpose of illustrating structure that forms no part of the claimed design.

1 Claim, 14 Drawing Sheets



(30) Foreign Application Priority Data

Sep. 3, 2014 (EM) 002530527-0008
 Sep. 3, 2014 (EM) 002530527-0013

(58) Field of Classification Search

CPC H04R 1/10; H04R 1/1016; H04R 1/1066;
 H04R 25/00; H04R 1/1091
 See application file for complete search history.

(56) References Cited

U.S. PATENT DOCUMENTS

4,720,857 A 1/1988 Burris et al.
 D316,550 S 4/1991 Sogabe et al.
 D340,932 S 11/1993 Yan et al.
 5,410,608 A 4/1995 Lucey et al.
 D357,921 S * 5/1995 Ming-Chin D14/223
 D382,874 S * 8/1997 Peschke D14/142
 D431,553 S 10/2000 Suzuki et al.
 D485,548 S 1/2004 Obata
 D512,049 S * 11/2005 Yang D14/205
 D538,784 S * 3/2007 Eklund D14/205
 D550,657 S 9/2007 Gan et al.
 D554,109 S * 10/2007 Ledbetter D14/223
 D555,152 S * 11/2007 Wang D14/223
 D566,099 S 4/2008 Komiyama
 D567,217 S 4/2008 Kamo et al.
 D569,841 S 5/2008 Chung et al.
 D572,242 S 7/2008 Yang
 D573,977 S * 7/2008 Ledbetter D14/205
 D583,804 S * 12/2008 Mahler D14/223
 D589,933 S * 4/2009 Zeiss D14/205
 D591,264 S 4/2009 Hong et al.
 D591,721 S 5/2009 Densho
 7,551,748 B2 6/2009 Kamo et al.
 D597,084 S * 7/2009 Gondo D14/223
 D598,894 S 8/2009 Masuda et al.
 D599,778 S 9/2009 Ando

D601,548 S * 10/2009 Morisawa D14/223
 D604,272 S * 11/2009 Kitayama D14/223
 D605,170 S * 12/2009 Keinanen D14/205
 D605,628 S 12/2009 Ando
 D614,168 S 4/2010 Rogers et al.
 D619,122 S 7/2010 Nomura
 D621,389 S 8/2010 Nagayama et al.
 D626,117 S 10/2010 Lowry
 D627,764 S 11/2010 Tsai et al.
 D636,763 S * 4/2011 Walter D14/223
 D637,181 S 5/2011 Fuller et al.
 D641,008 S * 7/2011 Lee D14/223
 D641,738 S * 7/2011 Perez D14/223
 D642,163 S 7/2011 Lee et al.
 D643,417 S * 8/2011 Lee D14/223
 D656,481 S * 3/2012 McManigal D14/205
 D657,780 S 4/2012 Dahlberg
 D664,951 S 8/2012 Ang et al.
 D671,531 S * 11/2012 Kim D14/223
 D673,531 S 1/2013 Lee et al.
 D695,721 S * 12/2013 Thompson D14/223
 D697,050 S * 1/2014 Thompson D14/206
 D700,905 S 3/2014 Pavitsich
 D702,668 S 4/2014 Narita et al.
 D710,334 S 8/2014 Yang
 D711,356 S 8/2014 Yang
 D711,858 S 8/2014 Yang
 D718,285 S * 11/2014 Shibusawa D14/223
 D718,286 S 11/2014 Yang
 D728,533 S * 5/2015 Poulsen D14/223
 D729,775 S 5/2015 Seo et al.
 D752,542 S * 3/2016 Lamar D14/205
 D760,189 S * 6/2016 Loh Jun Kern D14/205
 D774,489 S * 12/2016 Loh Jun Kern D14/205
 D780,714 S * 3/2017 Vogt, Jr. D14/205
 2007/0098201 A1 5/2007 Chen
 2016/0014498 A1 * 1/2016 Paschel H04R 1/1091
 381/380
 2016/0206222 A1 * 7/2016 Liu A61B 5/024

* cited by examiner

Fig. 1.1

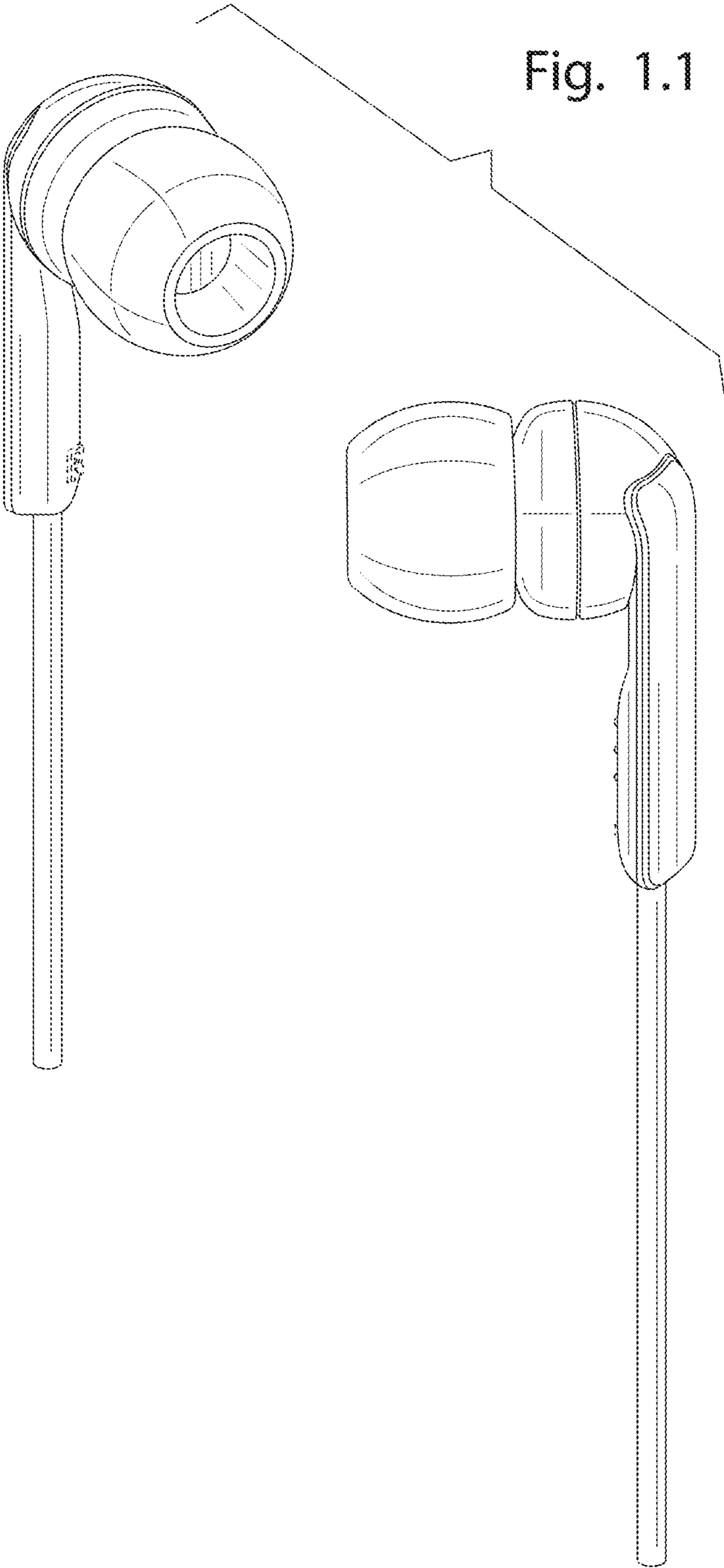


Fig. 1.2

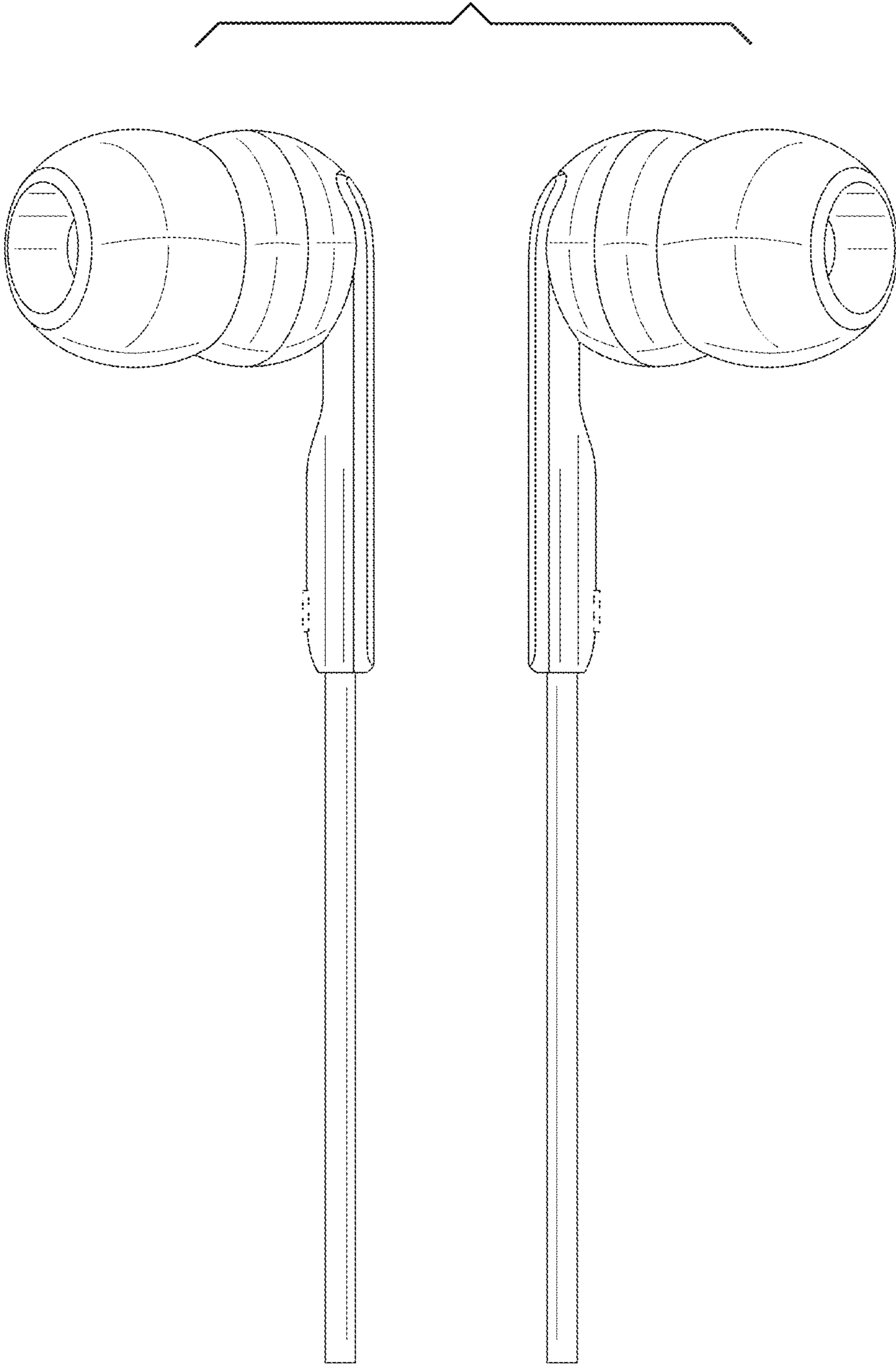


Fig. 1.3

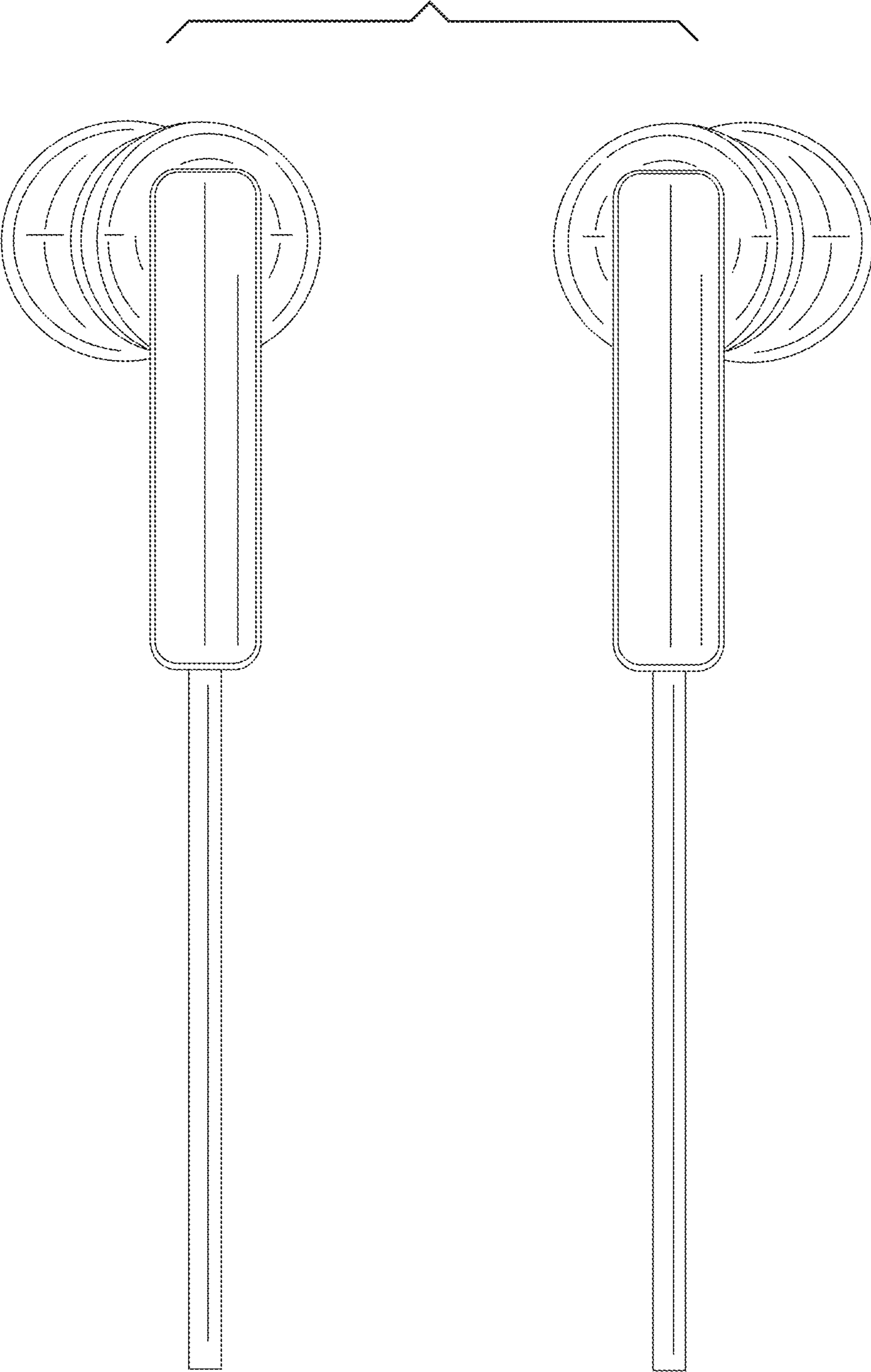


Fig. 1.4

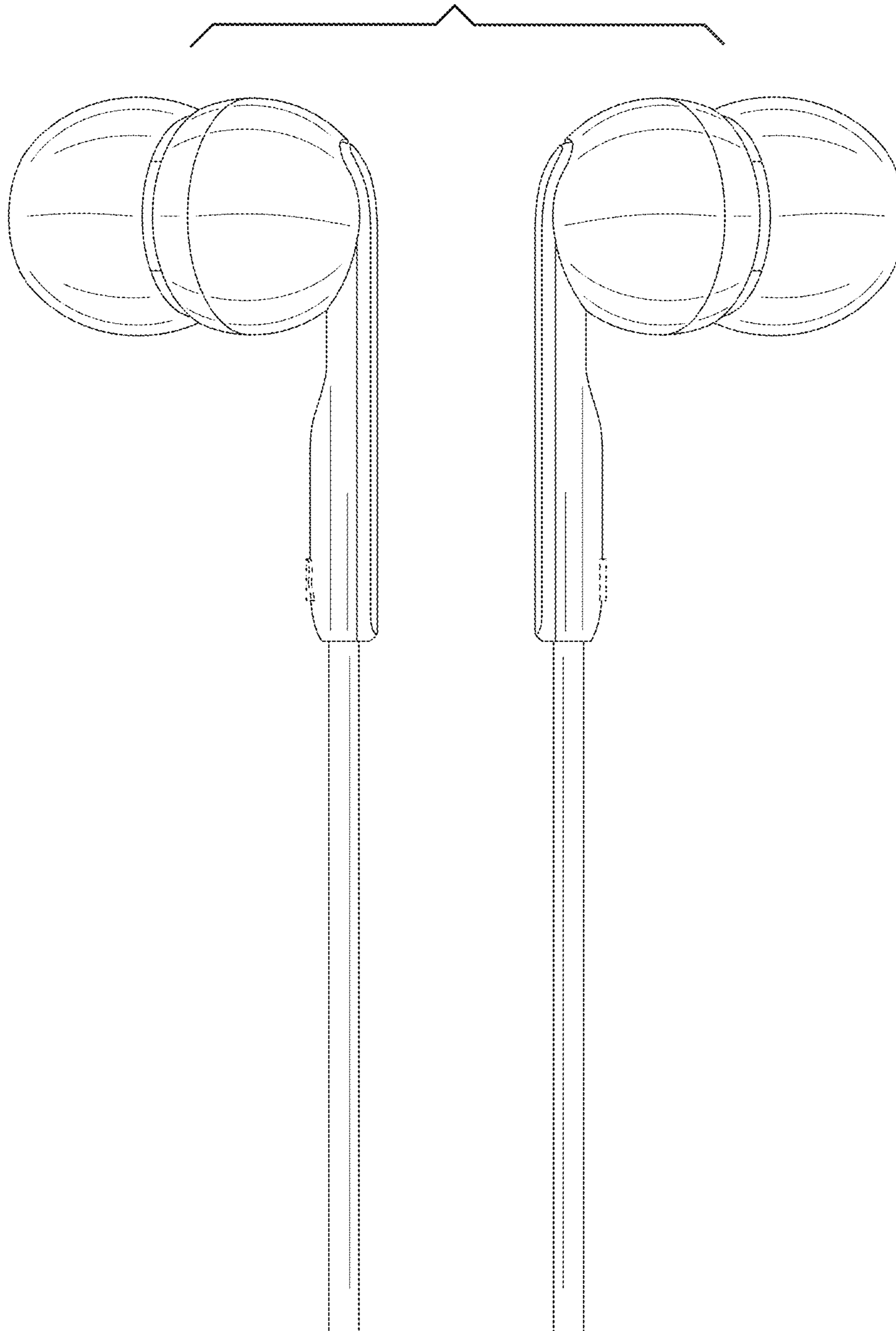


Fig. 1.5

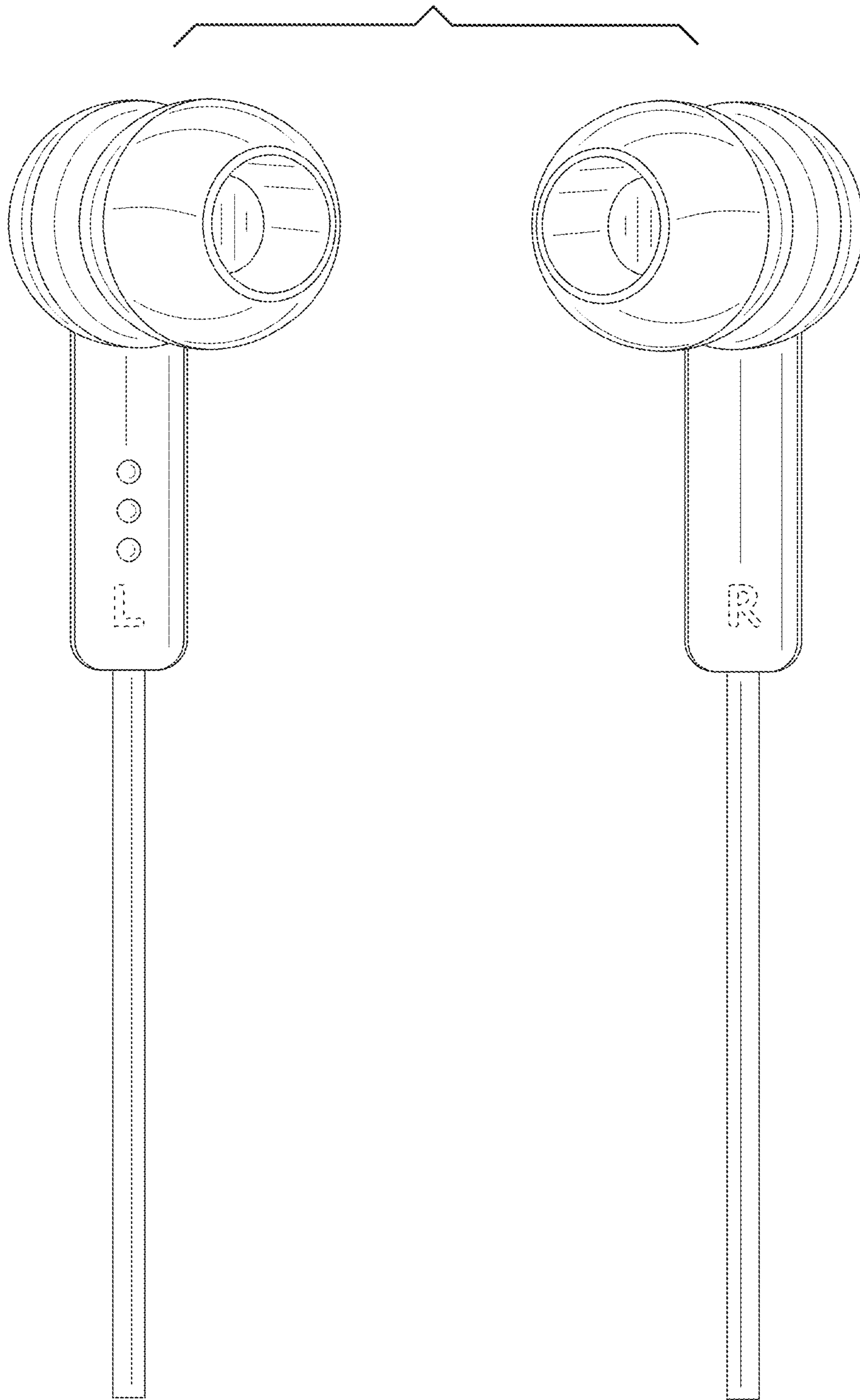


Fig. 1.6

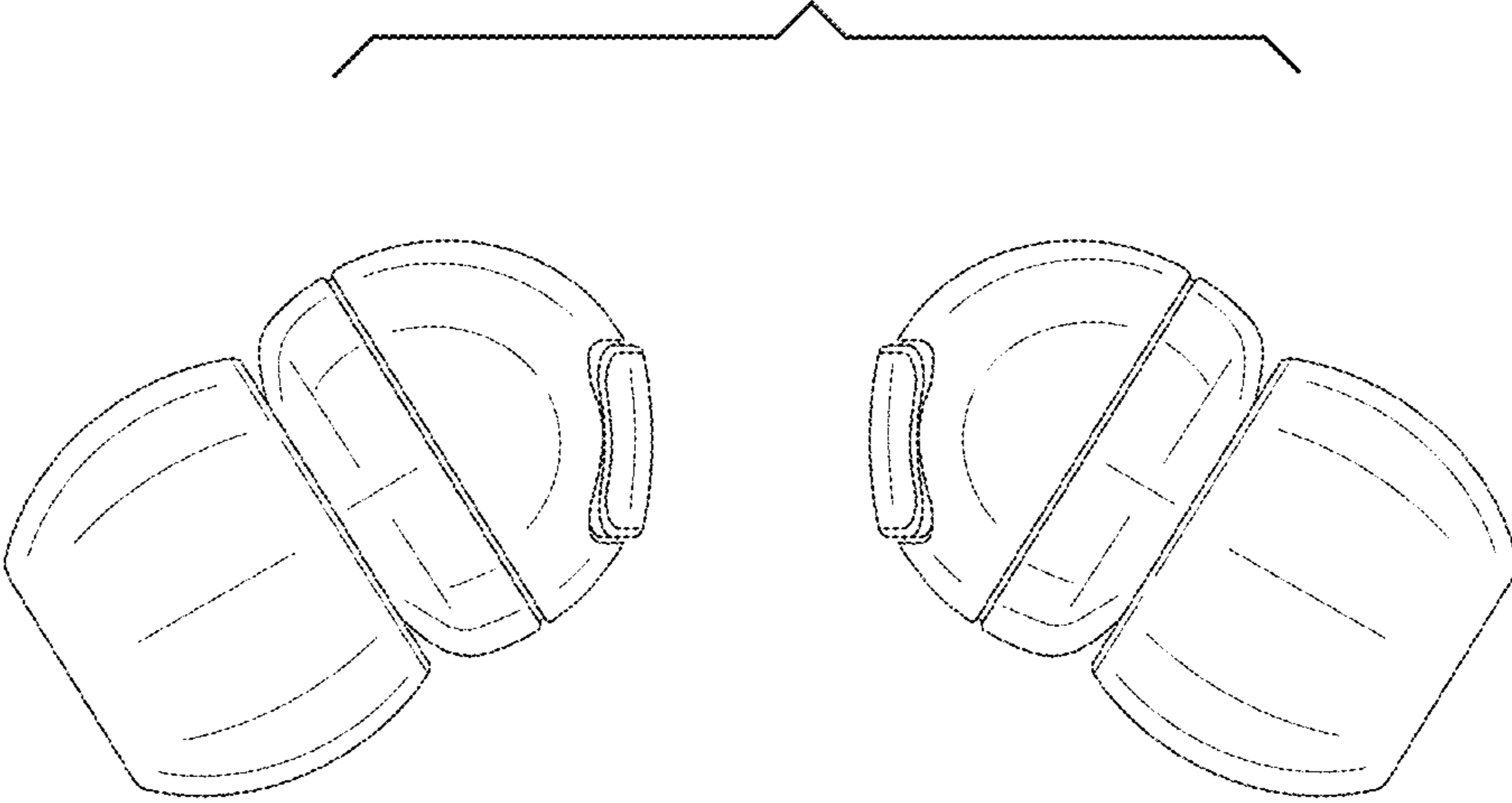
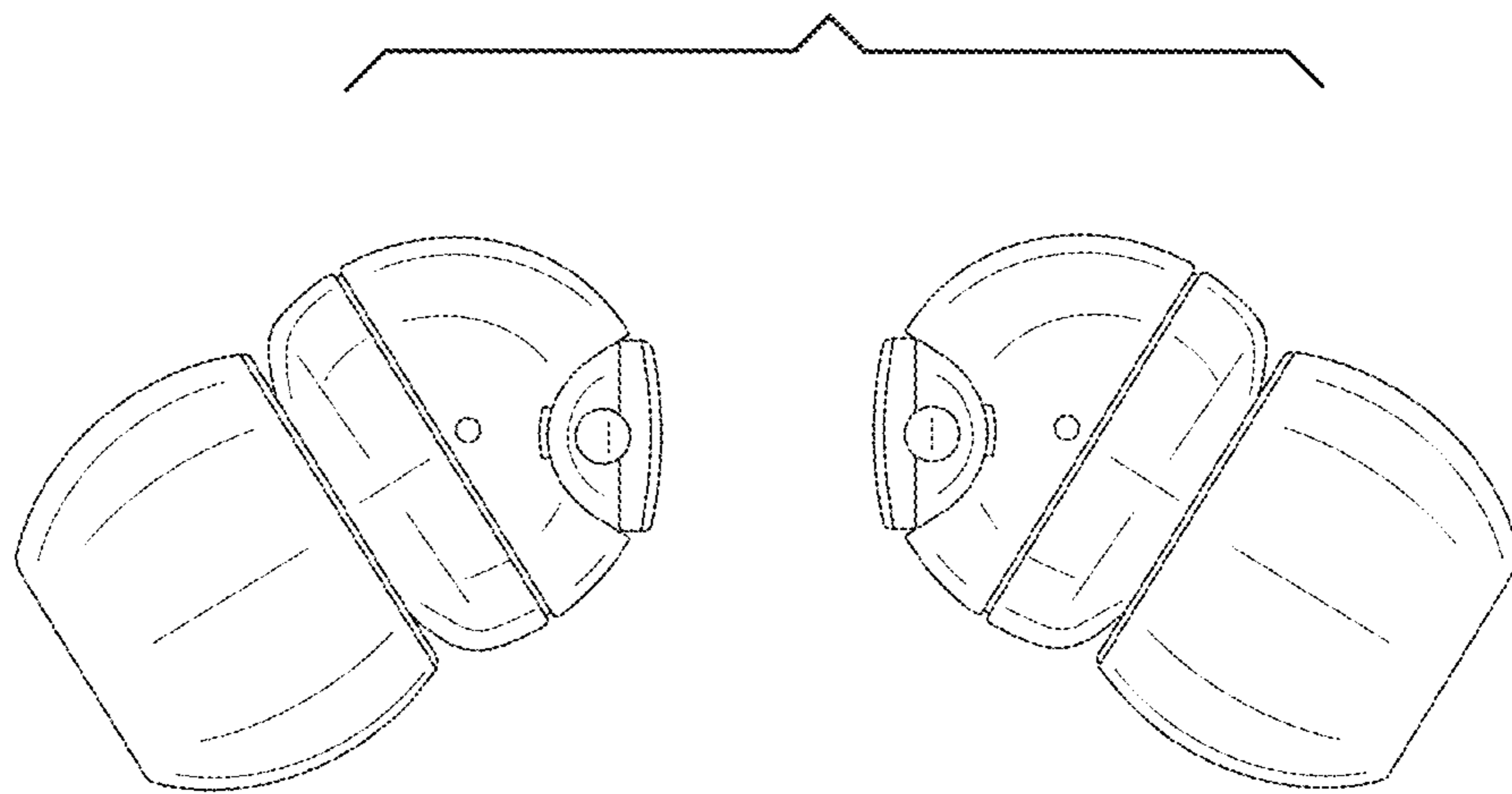


Fig. 1.7



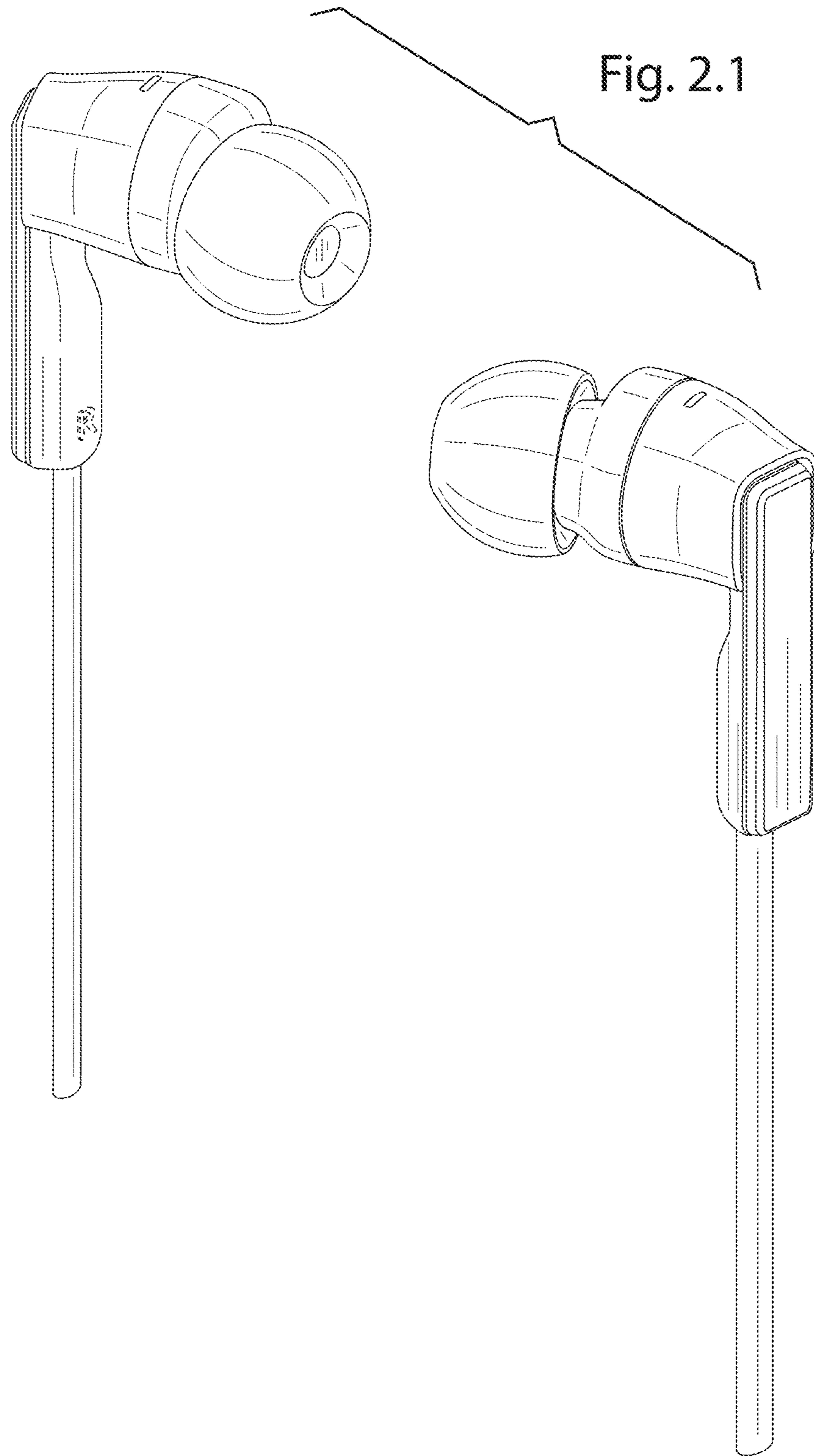


Fig. 2.2

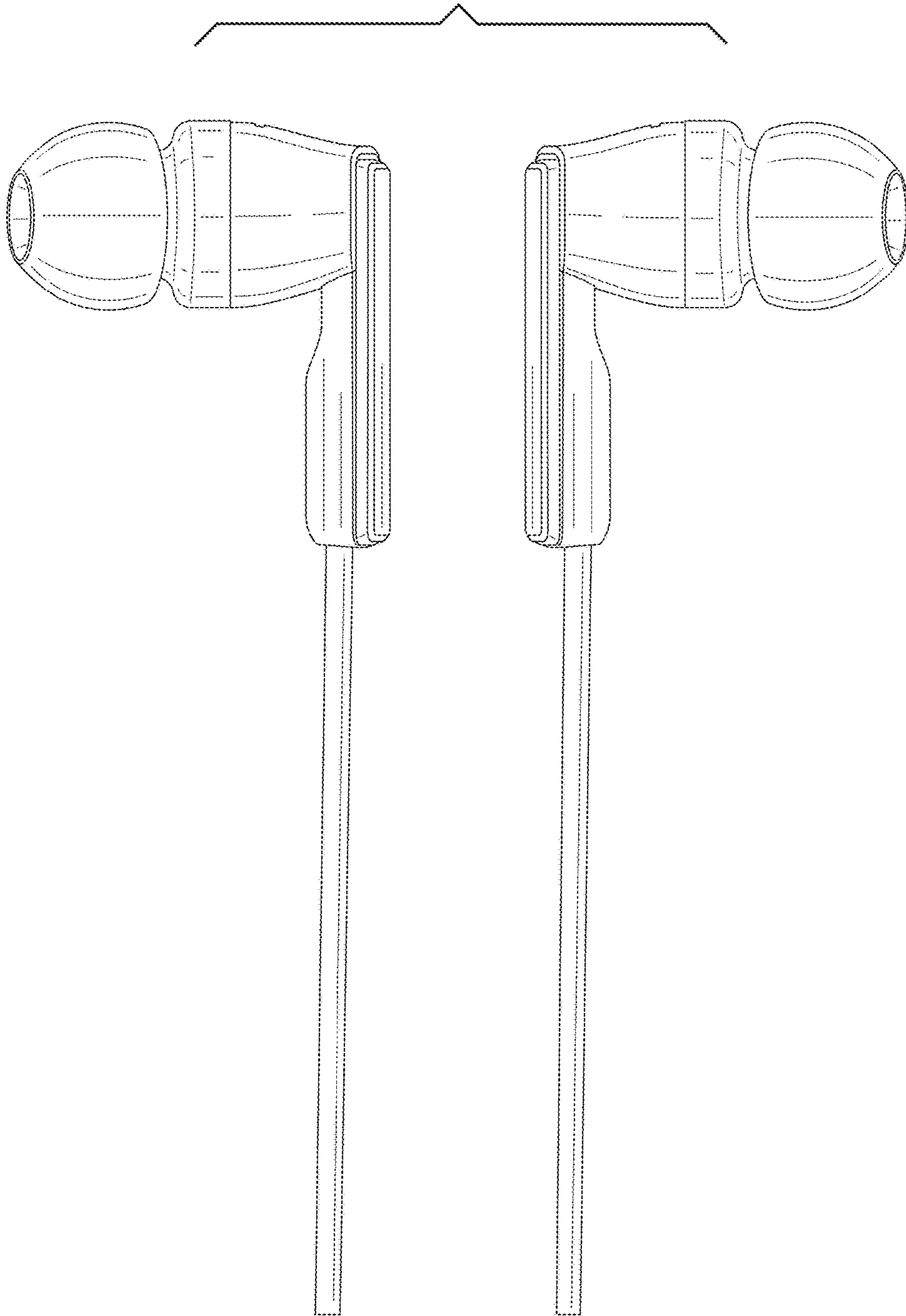


Fig. 2.3

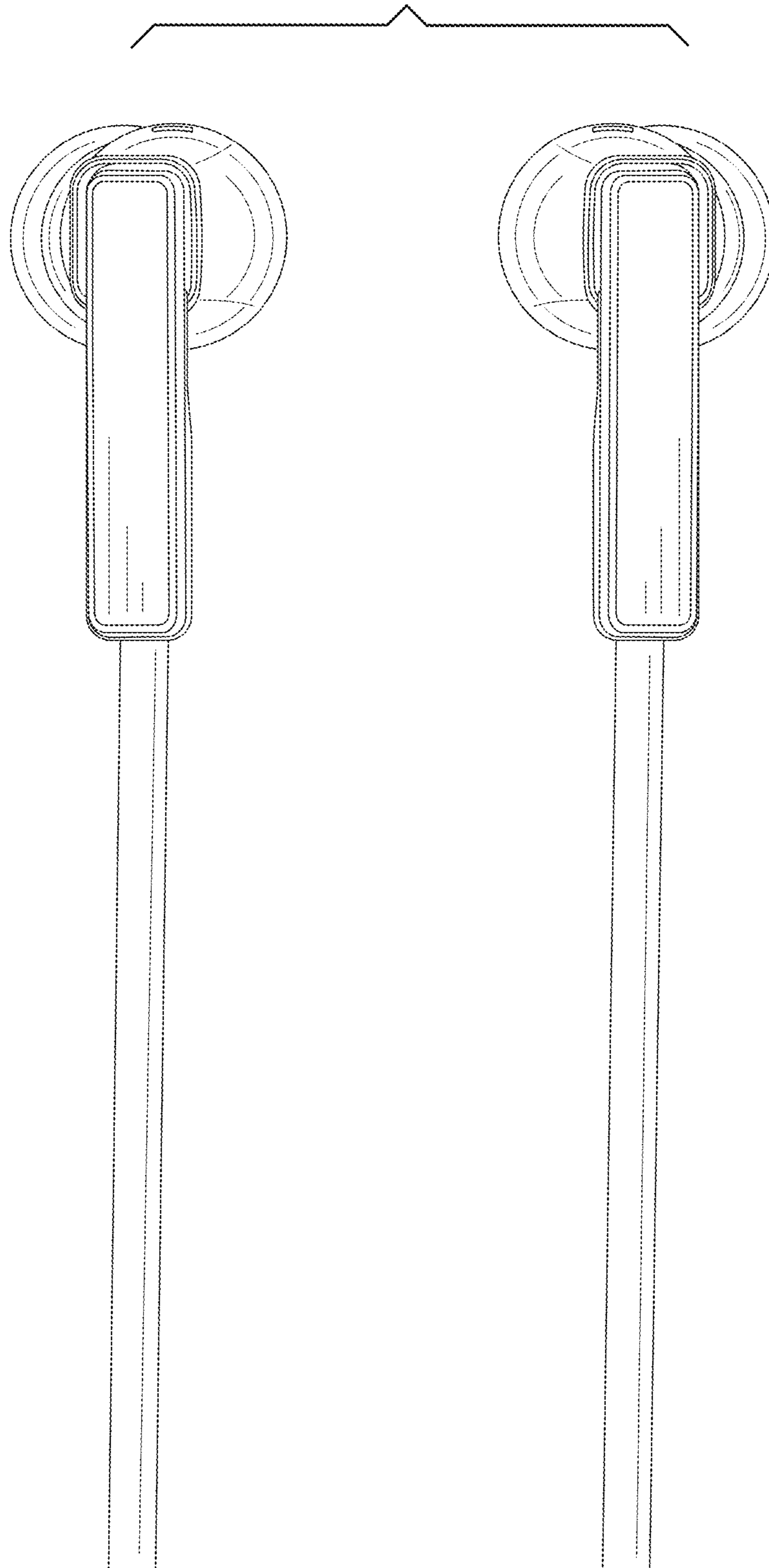


Fig. 2.4

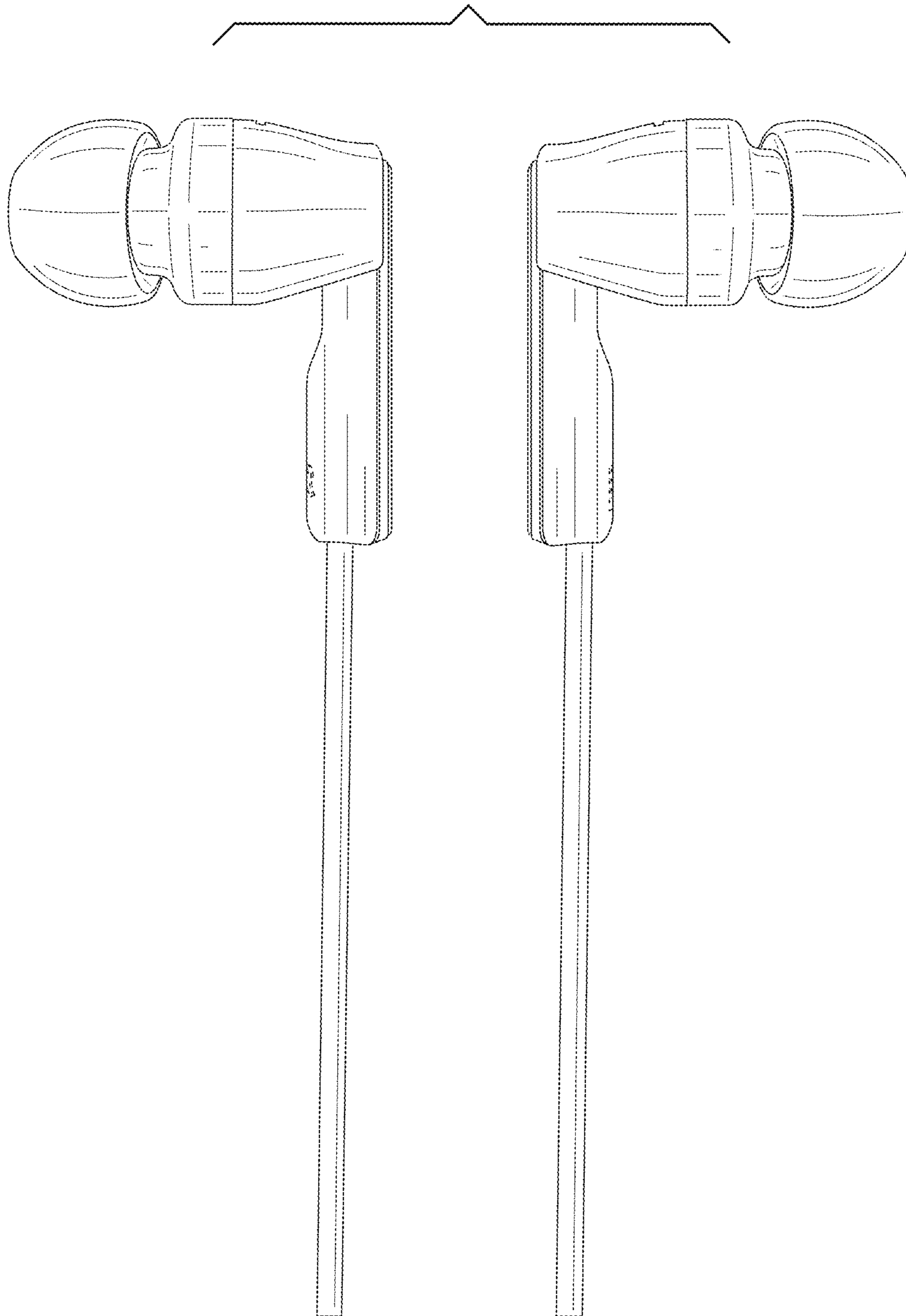


Fig. 2.5

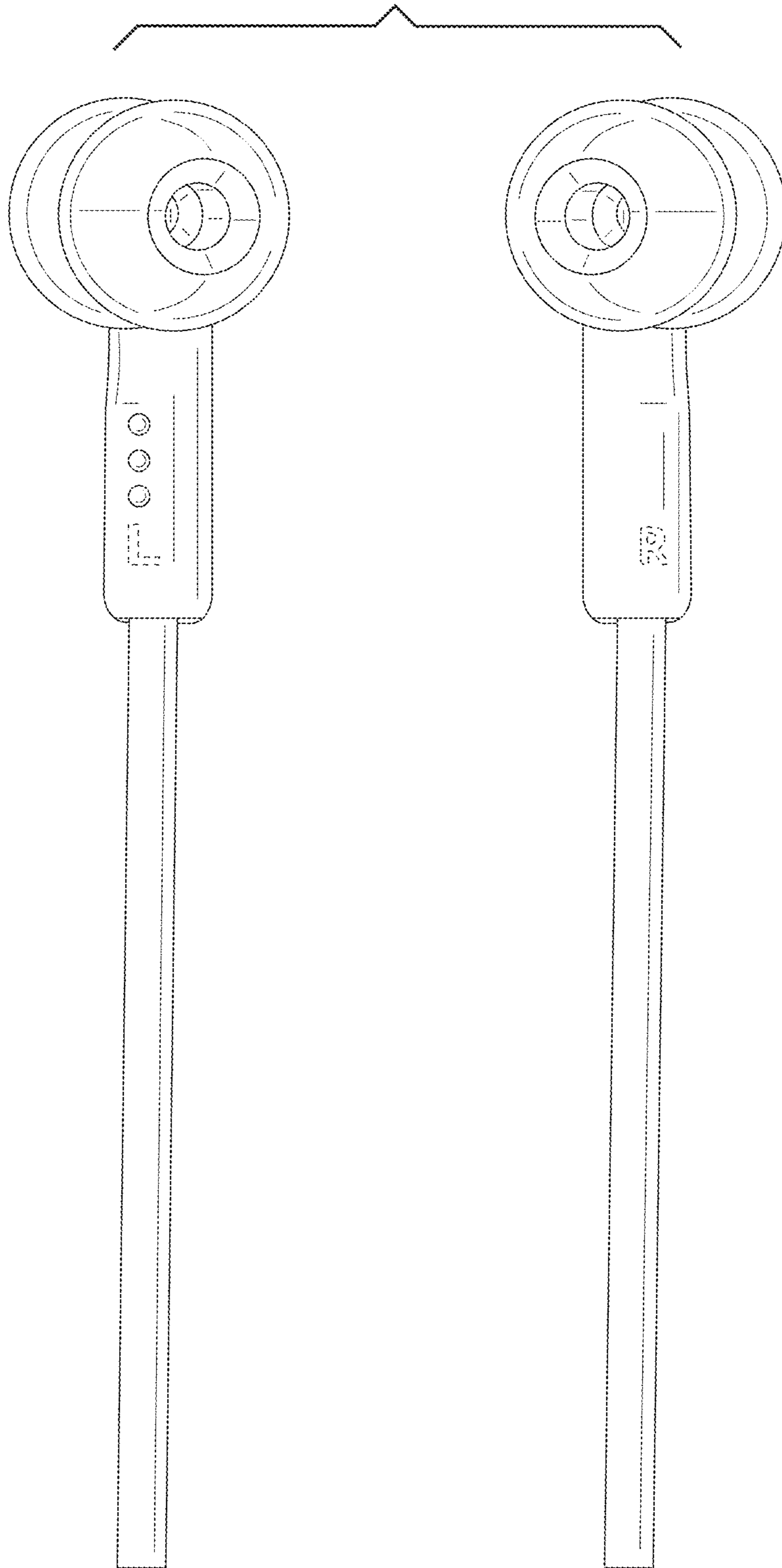


Fig. 2.6

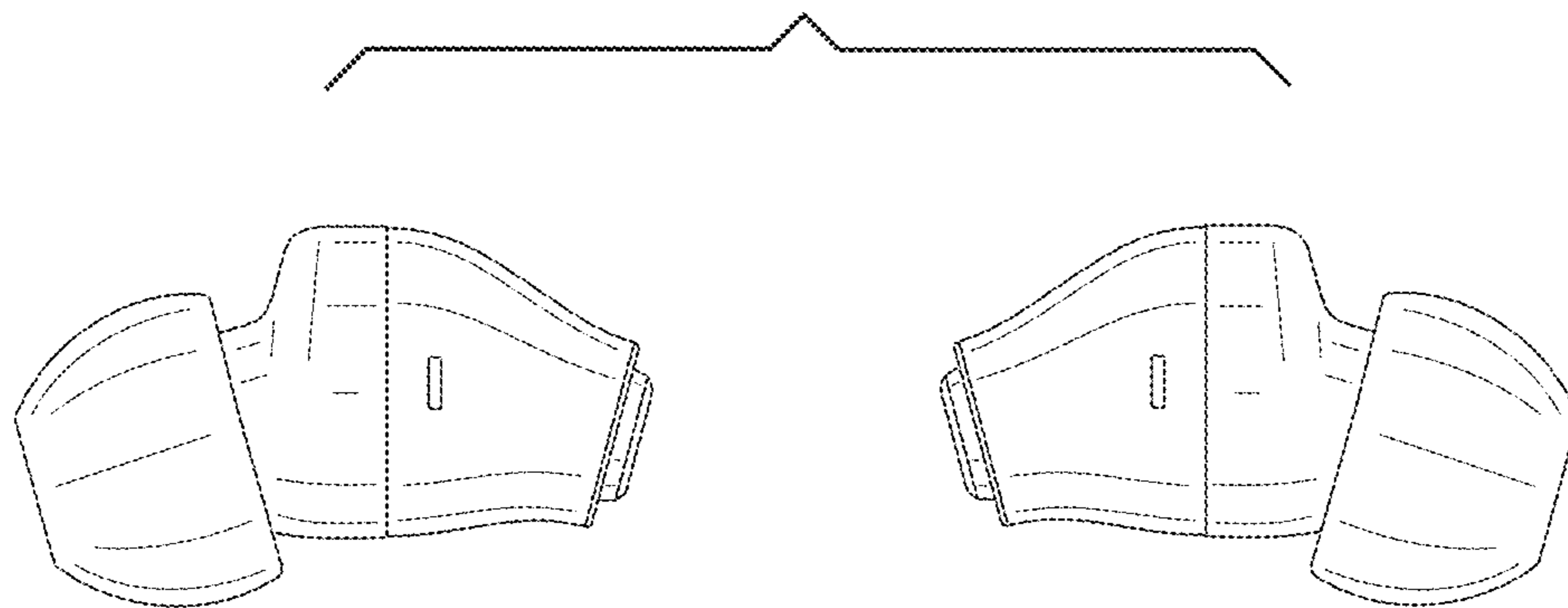


Fig. 2.7

