



US00D803183S

(12) **United States Design Patent** (10) **Patent No.:** **US D803,183 S**  
**Lum et al.** (45) **Date of Patent:** **\*\* Nov. 21, 2017**

(54) **LOUDSPEAKER**

D577,707 S \* 9/2008 Lee ..... D14/158  
D579,915 S \* 11/2008 Yeo ..... D14/214  
D580,907 S \* 11/2008 Ollila ..... D14/167

(Continued)

(71) Applicant: **Harman International Industries, Incorporated**, Northridge, CA (US)

(72) Inventors: **Myk Wayne Lum**, Irvine, CA (US);  
**Michael W. Silber**, Simi Valley, CA (US); **Kasin Chan**, Corona, CA (US)

(73) Assignee: **Harman International Industries, Incorporated**, Northridge, CA (US)

(\*\*) Term: **15 Years**

(21) Appl. No.: **29/540,589**

(22) Filed: **Sep. 25, 2015**

(51) **LOC (10) Cl.** ..... **14-01**

(52) **U.S. Cl.**  
USPC ..... **D14/204**

(58) **Field of Classification Search**  
USPC ..... D14/167, 168, 170-172, 188,  
D14/203.1-203.8, 204, 210, 214;  
181/143, 144, 148, 153, 157, 198, 199;  
369/6-12; 381/300-303, 361-364, 366,  
381/386-388

CPC ..... G06F 1/1688; G10K 9/22; H04N 5/64;  
H04R 1/02; H04R 1/021; H04R 1/025;  
H04R 1/026; H04R 1/028; H04R 1/403;  
H04R 1/2803; H04R 1/2834; H04R 5/02;  
H04R 9/06; H04R 19/013; H04R  
2201/021; H04R 2400/00; H04R 2499/11;  
H05K 5/00; H05K 5/0086

See application file for complete search history.

(56) **References Cited**

**U.S. PATENT DOCUMENTS**

D445,776 S \* 7/2001 Ishii ..... D14/167  
D486,829 S \* 2/2004 Wang ..... D14/480.5  
D502,166 S \* 2/2005 Nakamura ..... D14/480.5  
D506,471 S \* 6/2005 Iikura ..... D14/480.5  
D550,702 S \* 9/2007 Lee ..... D14/496  
D560,617 S \* 1/2008 Poulet ..... D13/158

**OTHER PUBLICATIONS**

Kinivo BTX350 Wireless Bluetooth Speaker, announced Jun. 2013, [online], site visited Oct. 27, 2016. Available from Internet, <URL: <http://www.gadgetlite.com>>.\*

*Primary Examiner* — Ian Simmons

*Assistant Examiner* — Janice Lim

(74) *Attorney, Agent, or Firm* — Plumsea Law Group, LLC

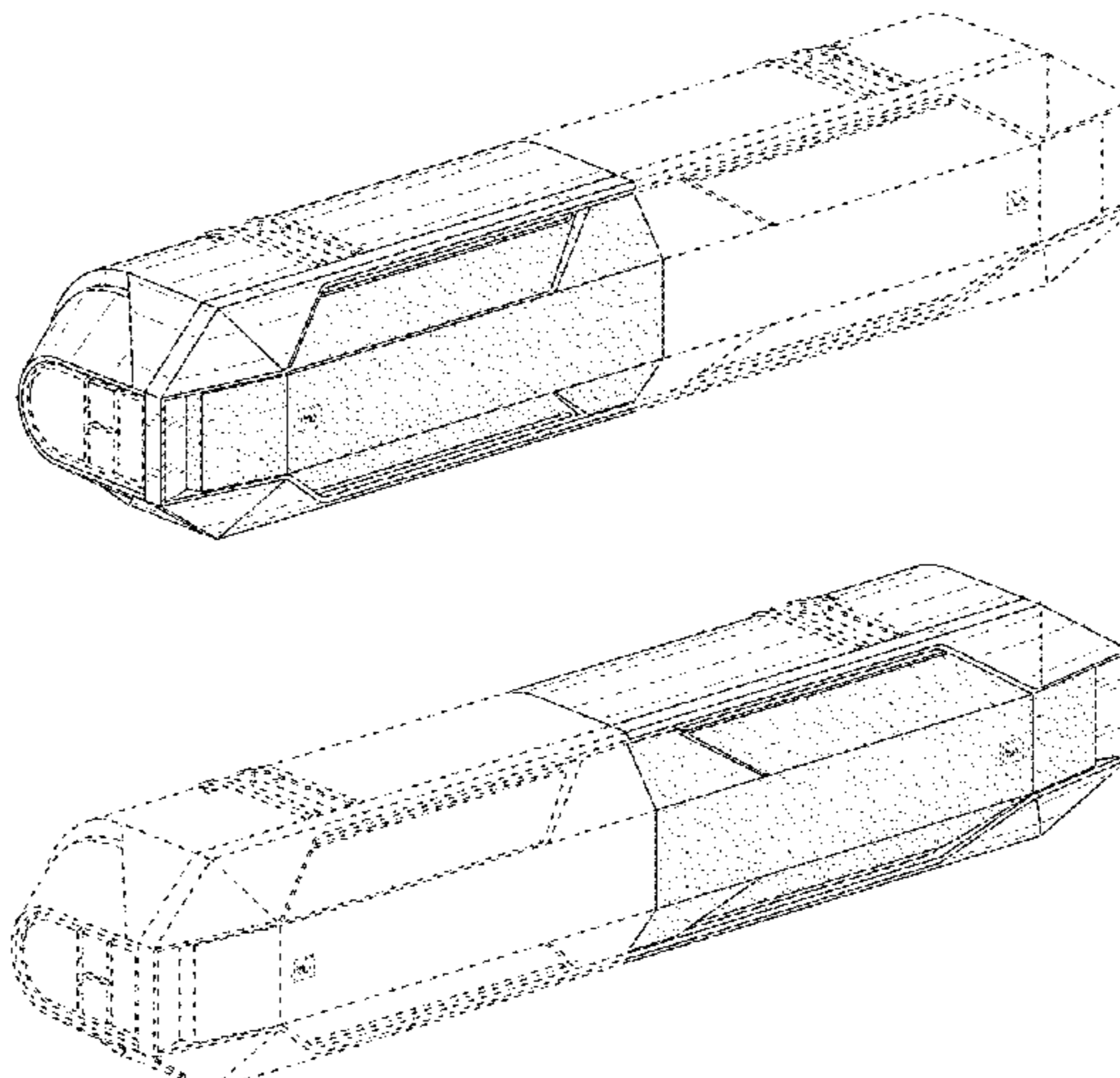
(57) **CLAIM**

The ornamental design for a loudspeaker, as shown and described.

**DESCRIPTION**

FIG. 1 is a perspective view of a first embodiment, of a loudspeaker, showing our new design;  
FIG. 2 is a front elevational view thereof;  
FIG. 3 is a rear elevational view thereof;  
FIG. 4 is a side elevational view thereof;  
FIG. 5 is an opposite side elevational view thereof;  
FIG. 6 is a top plan view thereof;  
FIG. 7 is a bottom plan view thereof;  
FIG. 8 is a perspective view thereof, shown in use;  
FIG. 9 is a perspective view of a second embodiment, of a loudspeaker, showing our new design;  
FIG. 10 is a front elevational view thereof;  
FIG. 11 is a rear elevational view thereof;  
FIG. 12 is a side elevational view thereof;  
FIG. 13 is an opposite side elevational view thereof;  
FIG. 14 is a top plan view thereof;  
FIG. 15 is a bottom plan view thereof; and,  
FIG. 16 is a perspective view thereof, shown in use.  
The broken line portions show unclaimed subject matter only and form no part of the claimed design.

**1 Claim, 14 Drawing Sheets**



(56)

**References Cited**

U.S. PATENT DOCUMENTS

D612,866 S \* 3/2010 Sukeda ..... D14/496  
D633,496 S \* 3/2011 Busri ..... D14/358  
D648,340 S \* 11/2011 Okura ..... D14/480.7  
D648,730 S \* 11/2011 Huang ..... D14/480.5  
D675,187 S \* 1/2013 Nousiainen ..... D14/204  
D756,961 S 5/2016 White et al.  
D756,962 S 5/2016 White et al.  
D756,963 S 5/2016 White et al.  
D756,964 S 5/2016 White et al.  
D757,686 S 5/2016 White et al.  
D757,687 S 5/2016 White et al.  
9,469,254 B1 10/2016 White et al.

\* cited by examiner

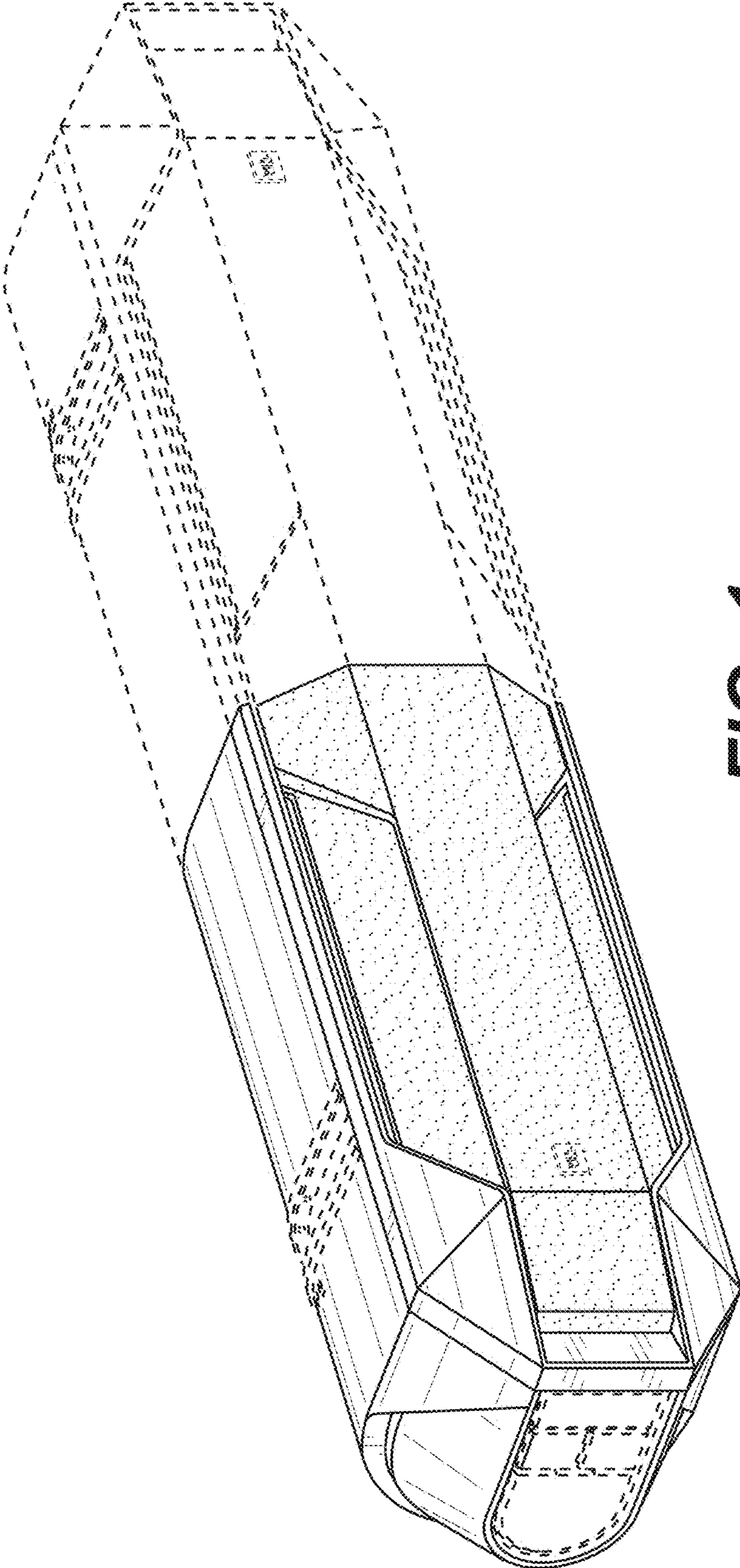
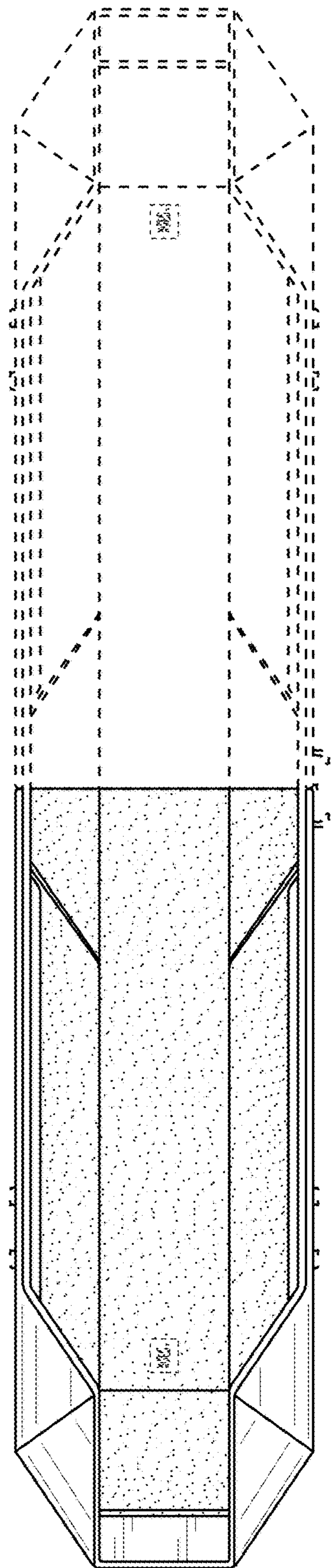
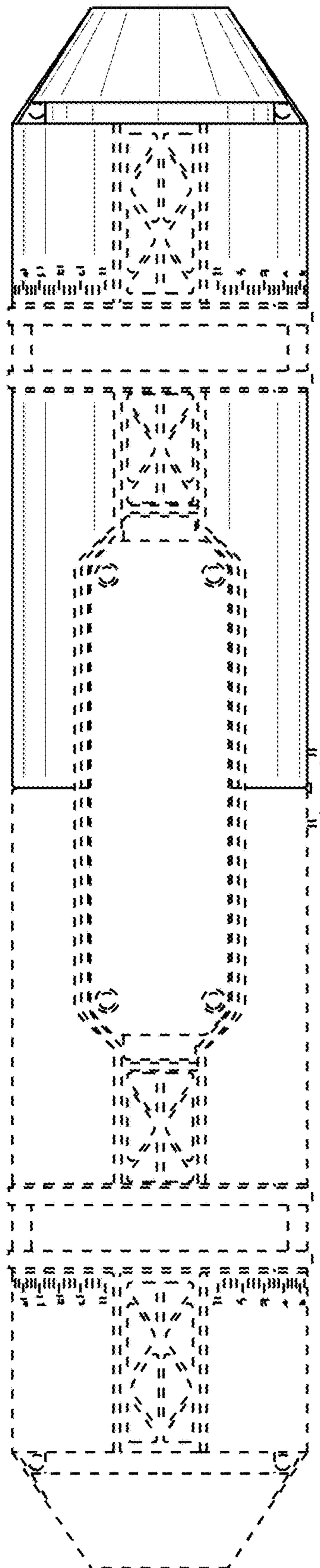


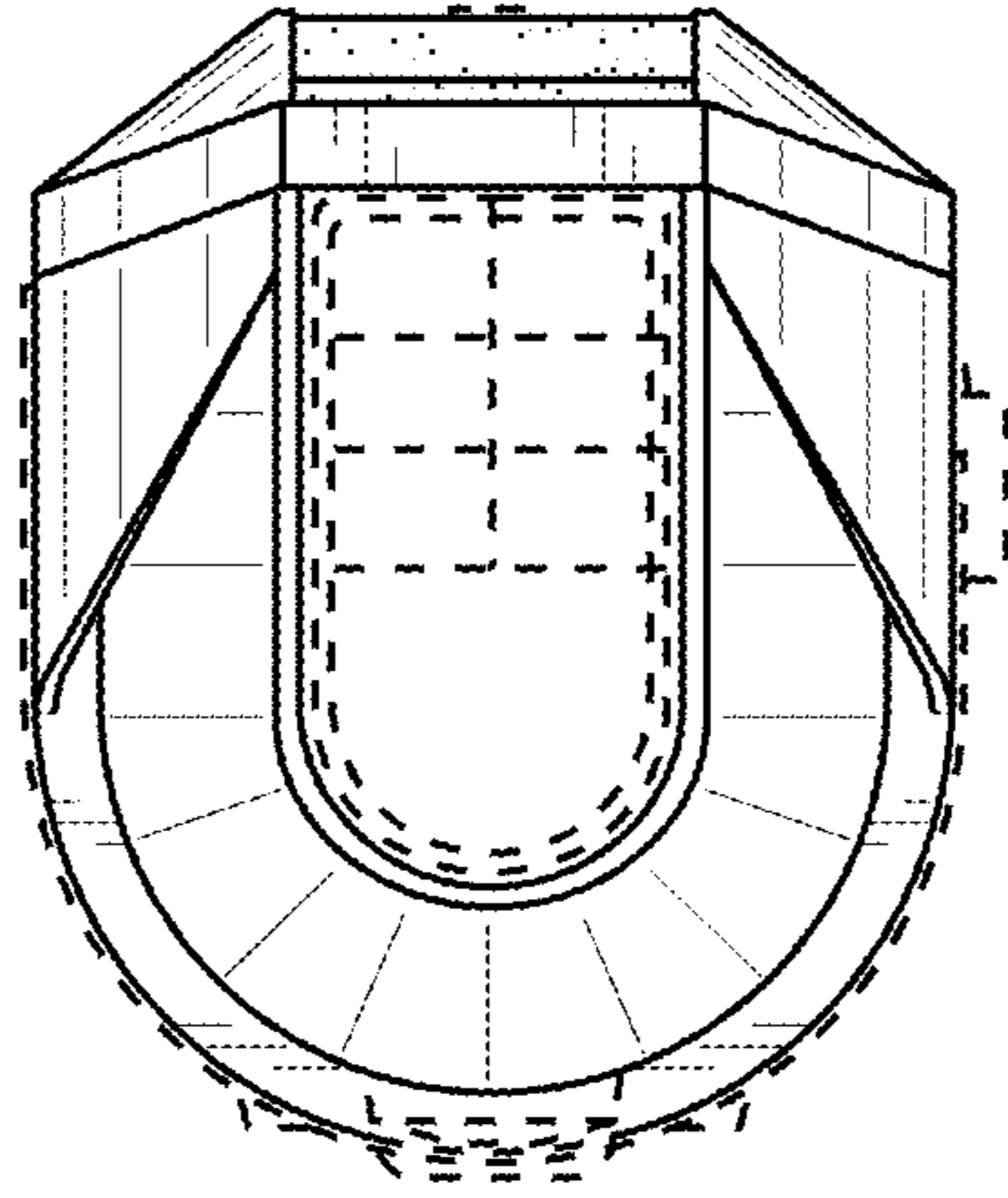
FIG. 1



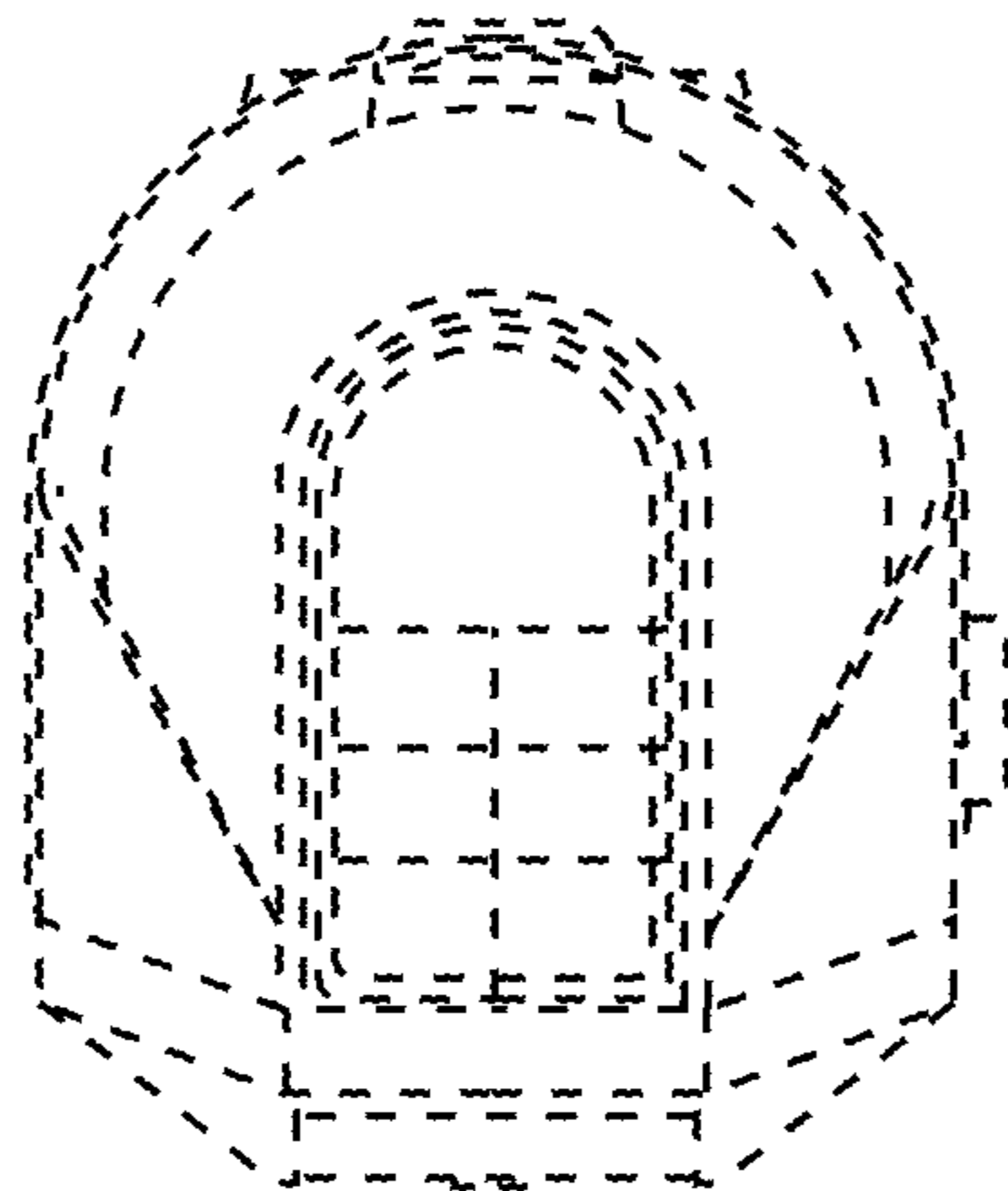
**FIG. 2**



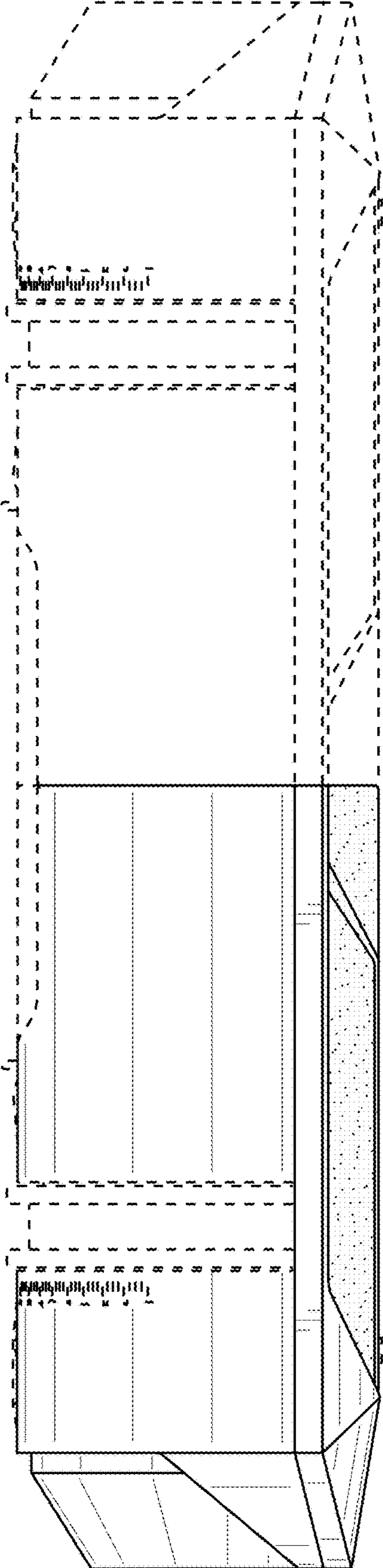
**FIG. 3**



**FIG. 5**



**FIG. 4**



**FIG. 6**

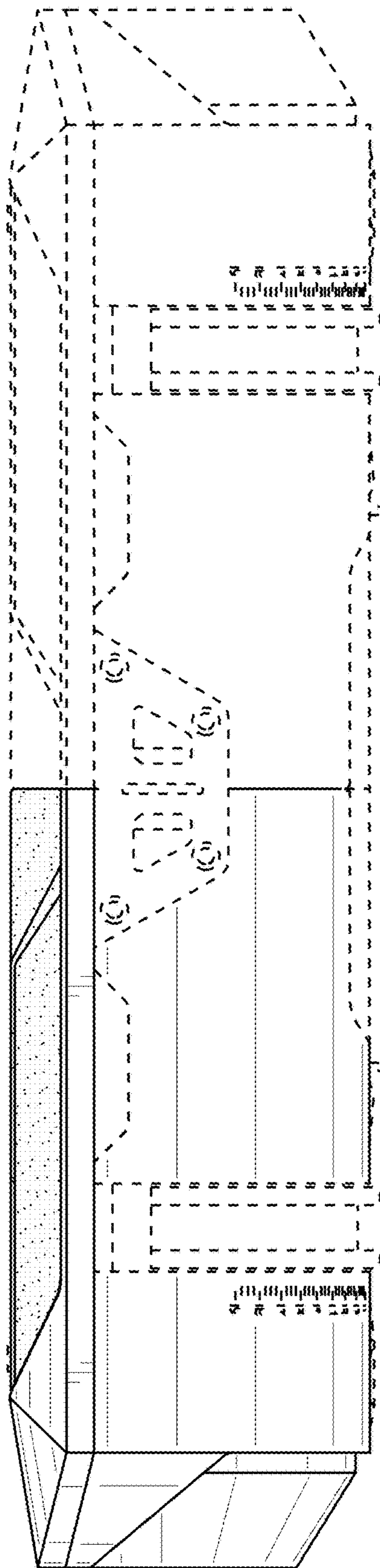


FIG. 7



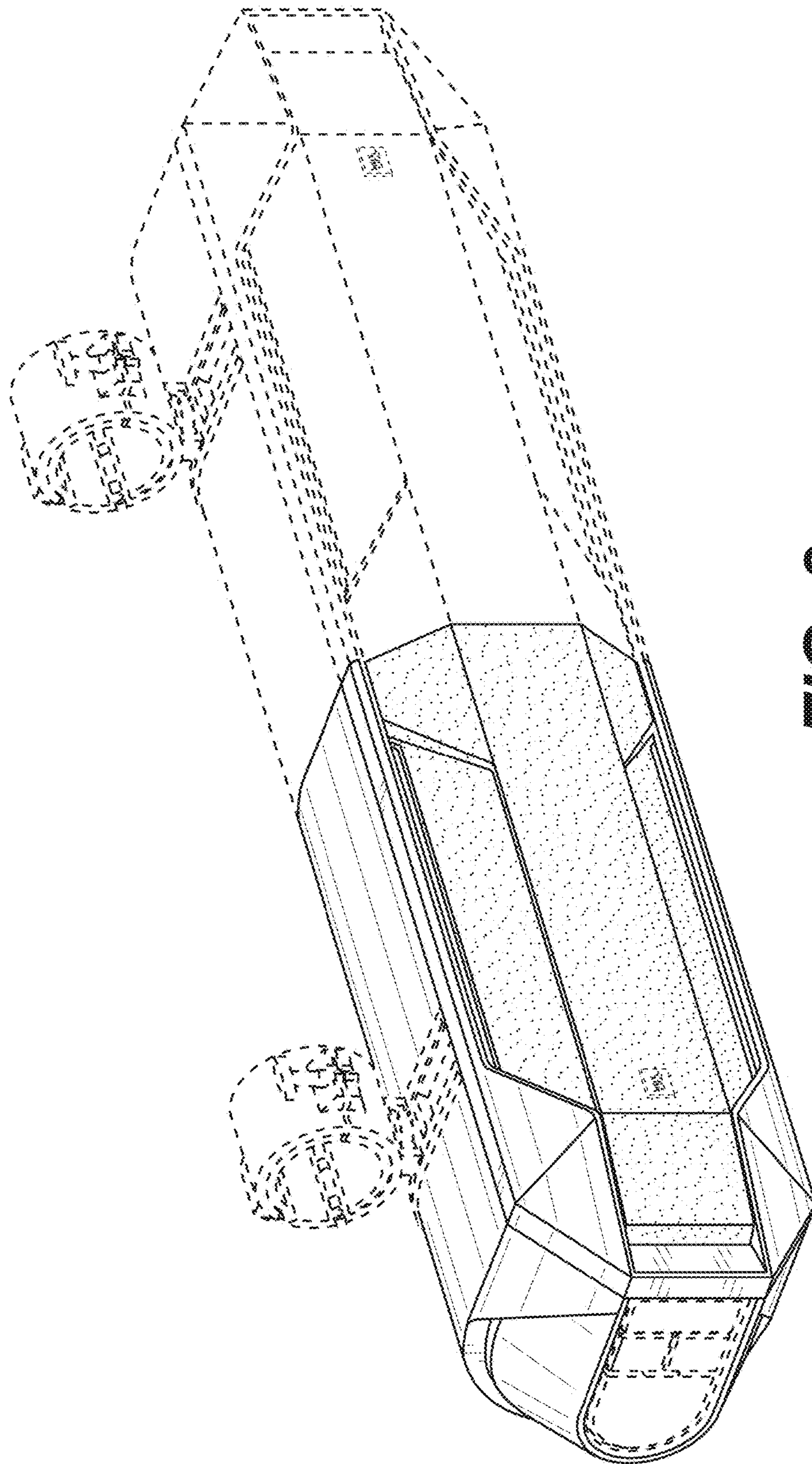


FIG. 8

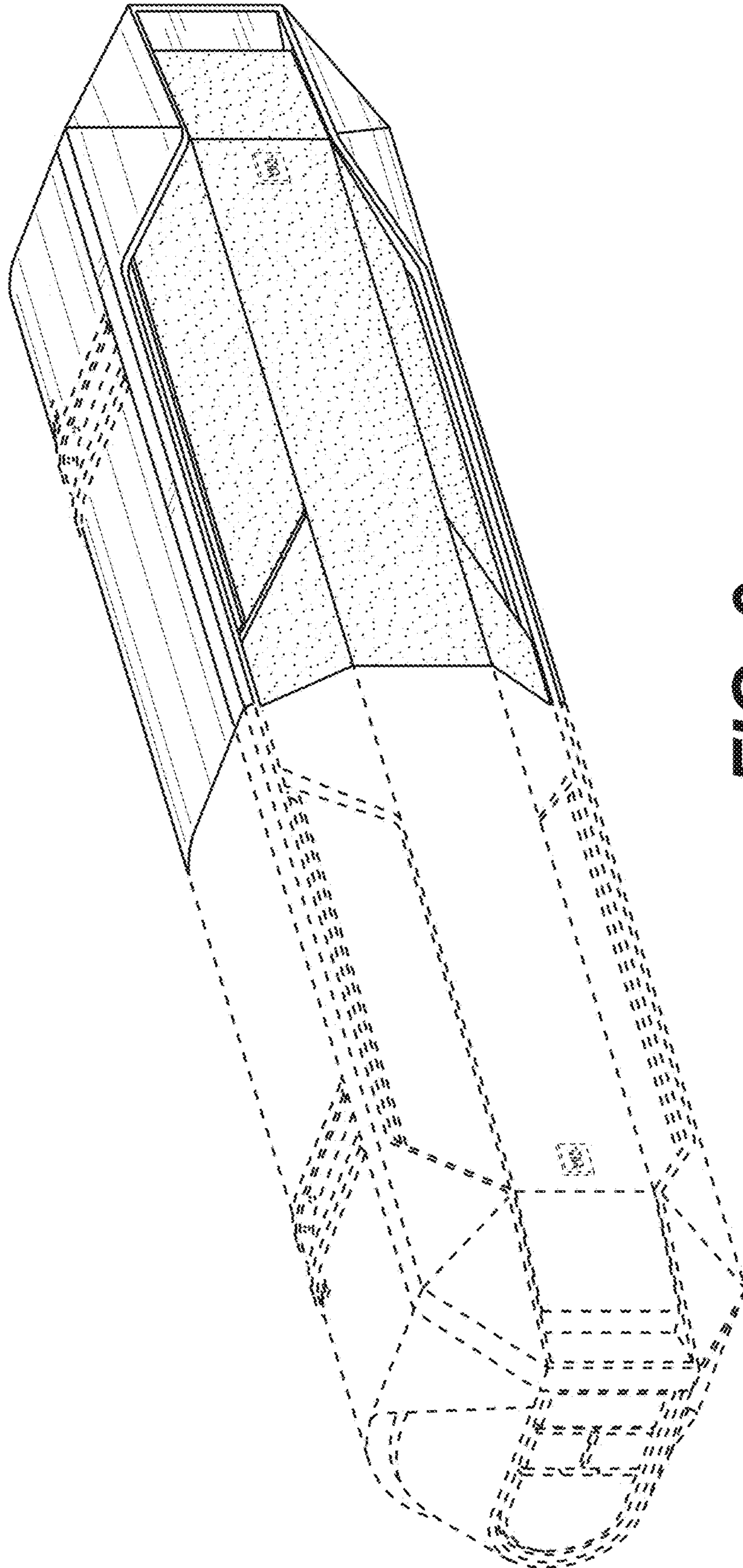
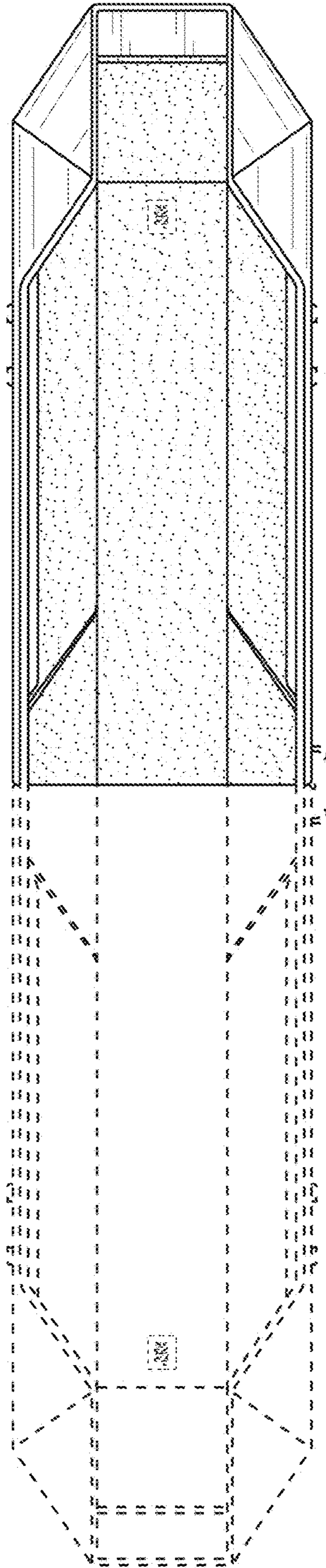
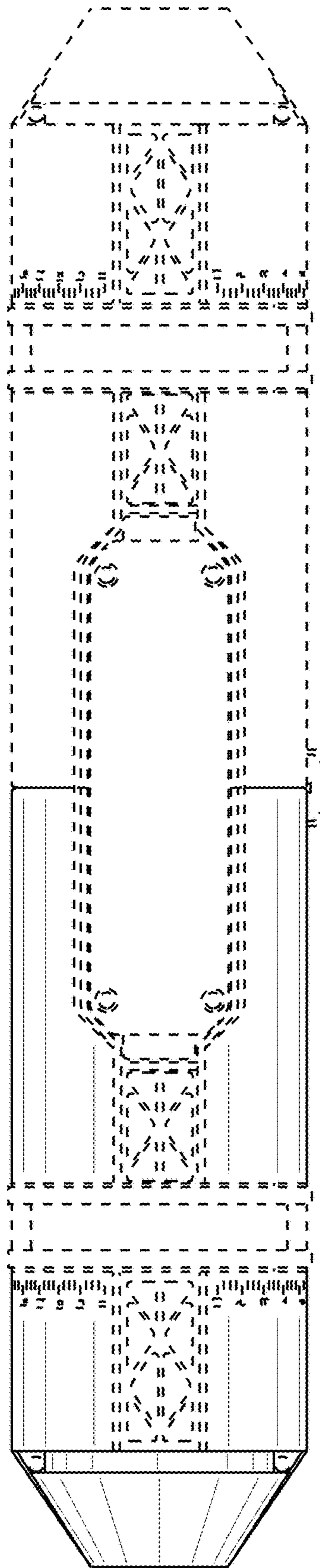


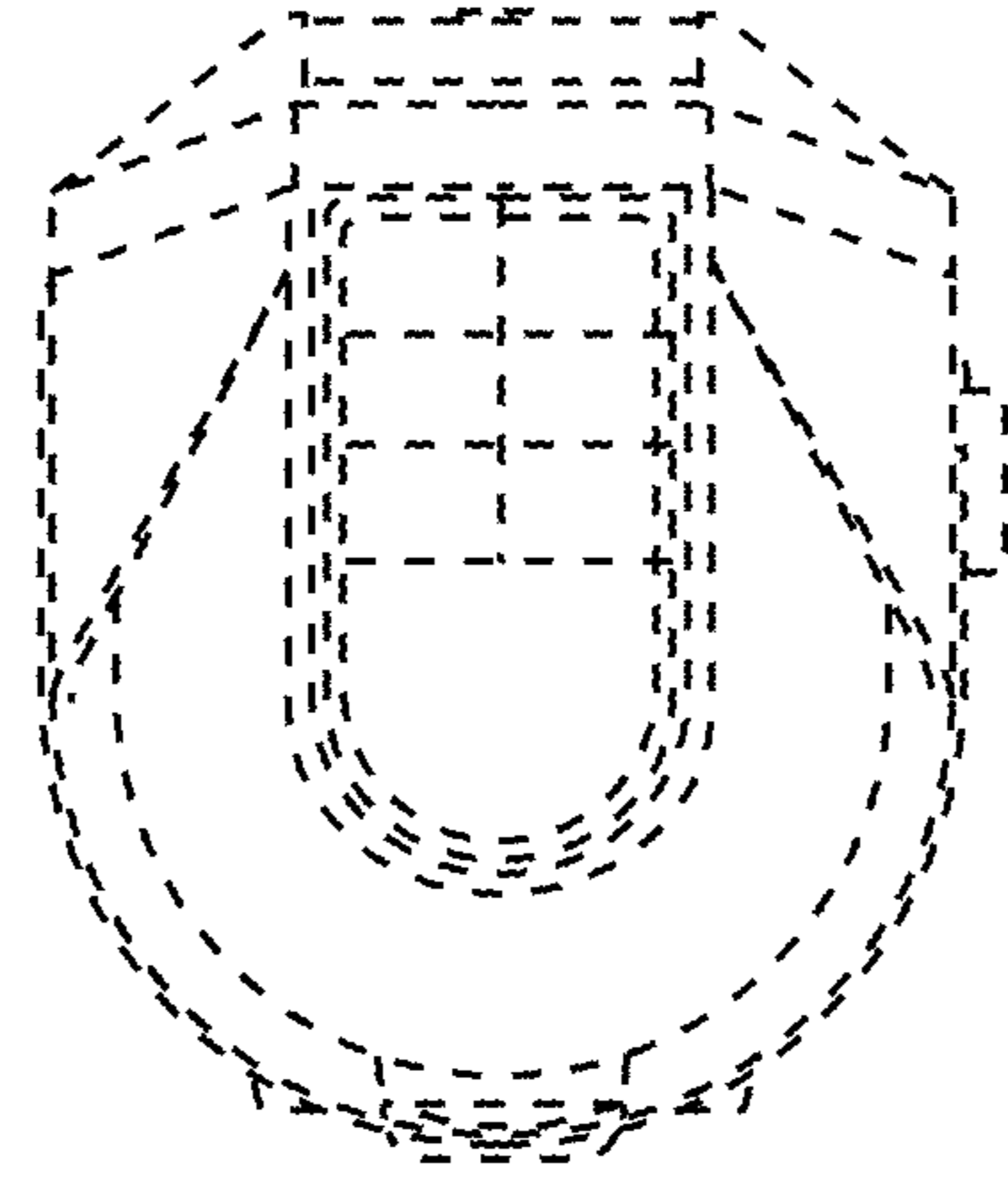
FIG. 9



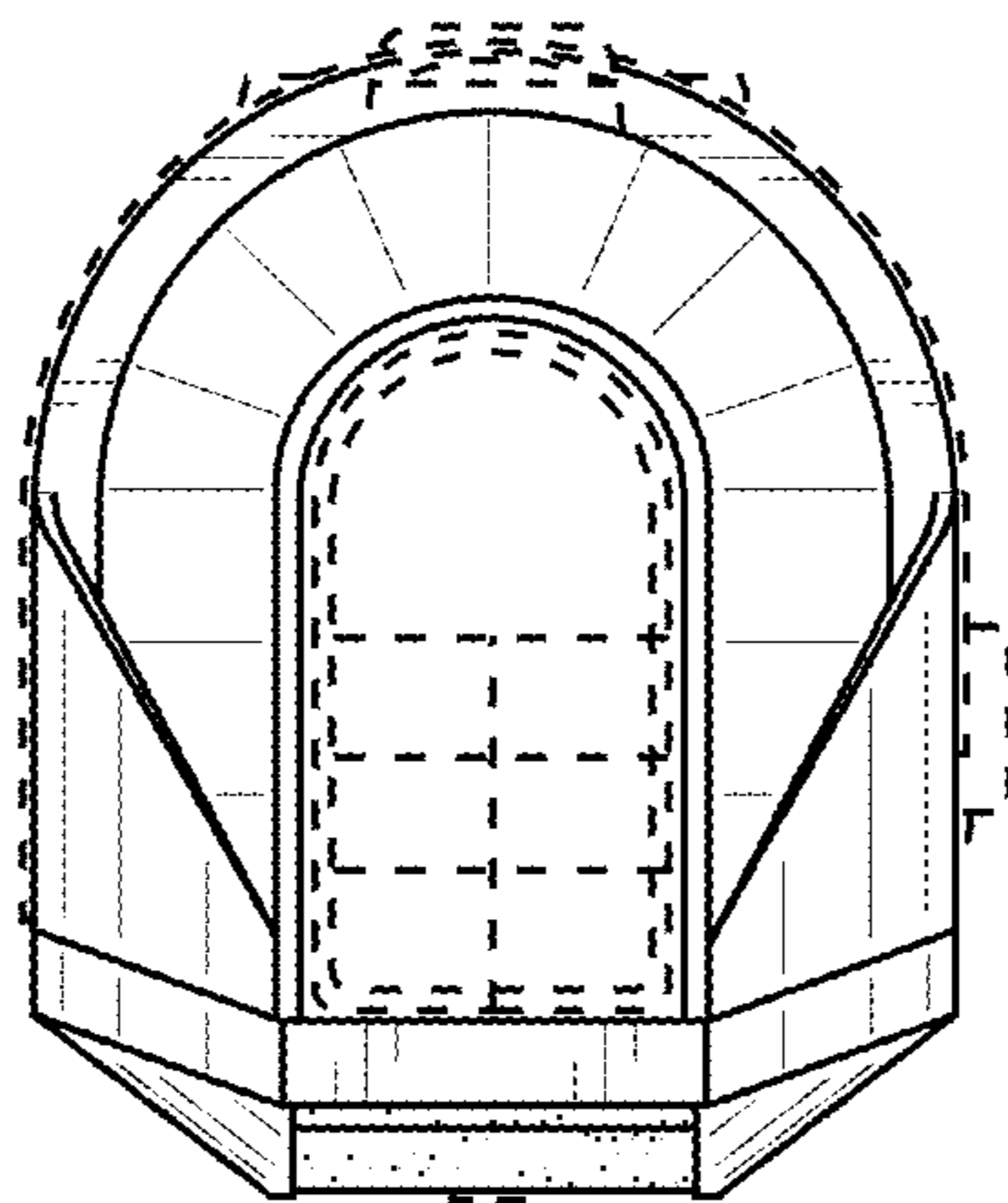
**FIG. 10**



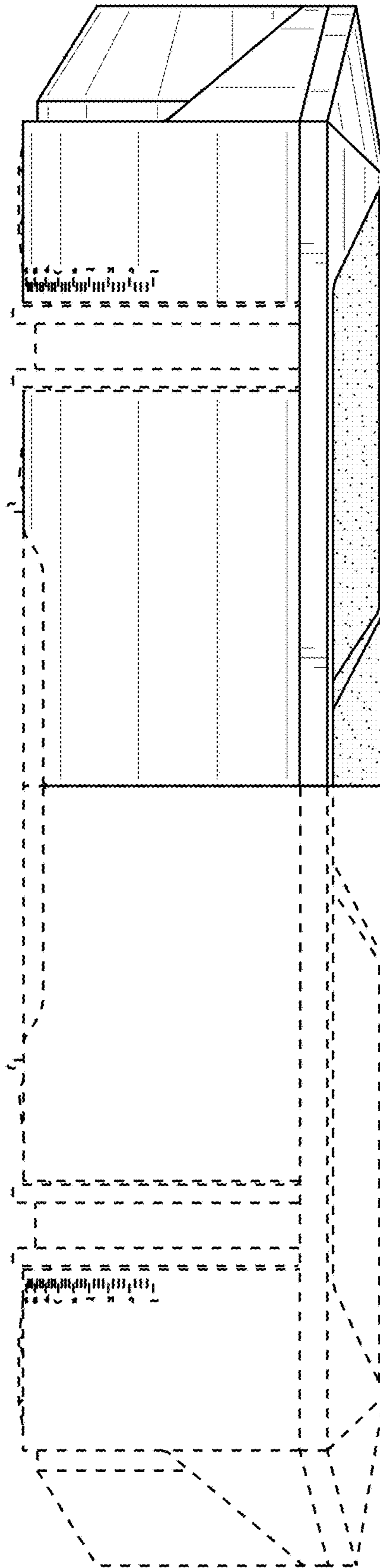
**FIG. 11**



**FIG. 12**



**FIG. 13**



**FIG. 14**



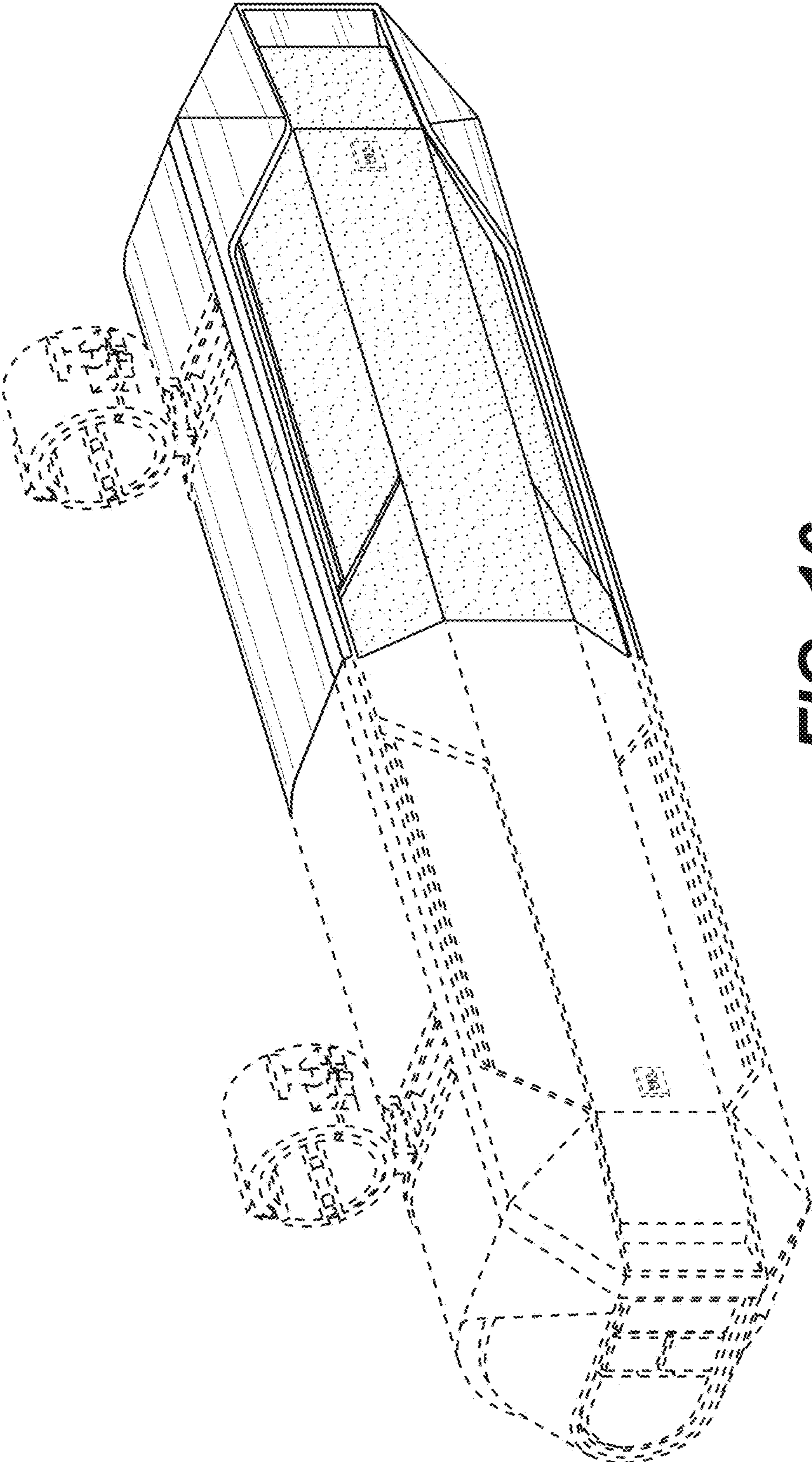


FIG. 16