



US00D803181S

(12) **United States Design Patent** (10) **Patent No.:** **US D803,181 S**
Feng (45) **Date of Patent:** **** Nov. 21, 2017**

(54) **BLUETOOTH LED LAVA SPEAKER**

(71) Applicant: **Xuan Feng**, Shenzhen (CN)

(72) Inventor: **Xuan Feng**, Shenzhen (CN)

(**) Term: **15 Years**

(21) Appl. No.: **29/585,514**

(22) Filed: **Nov. 25, 2016**

(51) **LOC (10) Cl.** **14-02**

(52) **U.S. Cl.**

USPC **D14/172**; D14/204; D14/207

(58) **Field of Classification Search**

USPC D14/204, 207, 210–216, 172, 209.1,
D14/203.2, 189; 181/143, 144, 147, 148,
181/150–153, 157, 198, 199;
381/300–303, 306, 332, 333, 336, 345,
381/361–364, 386–388; D11/160, 162,
D11/606–609, 832; 455/344–347;
369/6–12; D9/683, 500, 738, 763;
D7/300, 601–606

CPC H04R 1/00; H04R 1/02; H04R 2400/00;
H05K 5/00

See application file for complete search history.

(56) **References Cited**

U.S. PATENT DOCUMENTS

D563,391 S * 3/2008 Skurdal D14/172
D609,718 S * 2/2010 Chang D14/203.3

D615,530 S * 5/2010 Dobson D14/216
D719,137 S * 12/2014 Cheng D14/216
9,197,951 B1 * 11/2015 Yang H04R 9/06
D753,630 S * 4/2016 Kim D14/216
D753,631 S * 4/2016 Holzer D14/216
D762,621 S * 8/2016 Bolton D14/216
D780,153 S * 2/2017 Lukic D14/204
9,584,775 B2 * 2/2017 Siminoff H04M 11/025
9,609,406 B2 * 3/2017 Guo H04R 1/02
9,641,921 B2 * 5/2017 Garfio H04R 1/02

* cited by examiner

Primary Examiner — Prabhakar Deshmukh

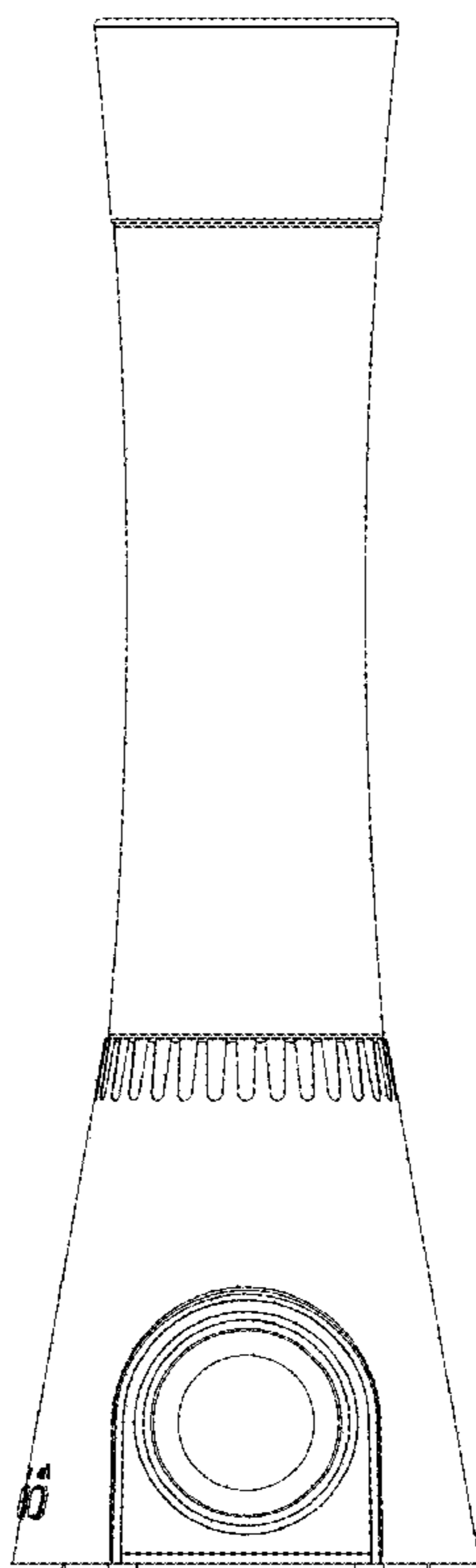
(57) **CLAIM**

The ornamental design for a bluetooth LED lava speaker, as shown.

DESCRIPTION

FIG. 1 is a front elevational view of a bluetooth LED lava speaker showing my new design;
FIG. 2 is a rear elevational view thereof;
FIG. 3 is a left side view thereof;
FIG. 4 is a right side view thereof;
FIG. 5 is a top plan view thereof;
FIG. 6 is a bottom plan view thereof;
FIG. 7 is a perspective view thereof; and,
FIG. 8 is another perspective view thereof.

1 Claim, 5 Drawing Sheets



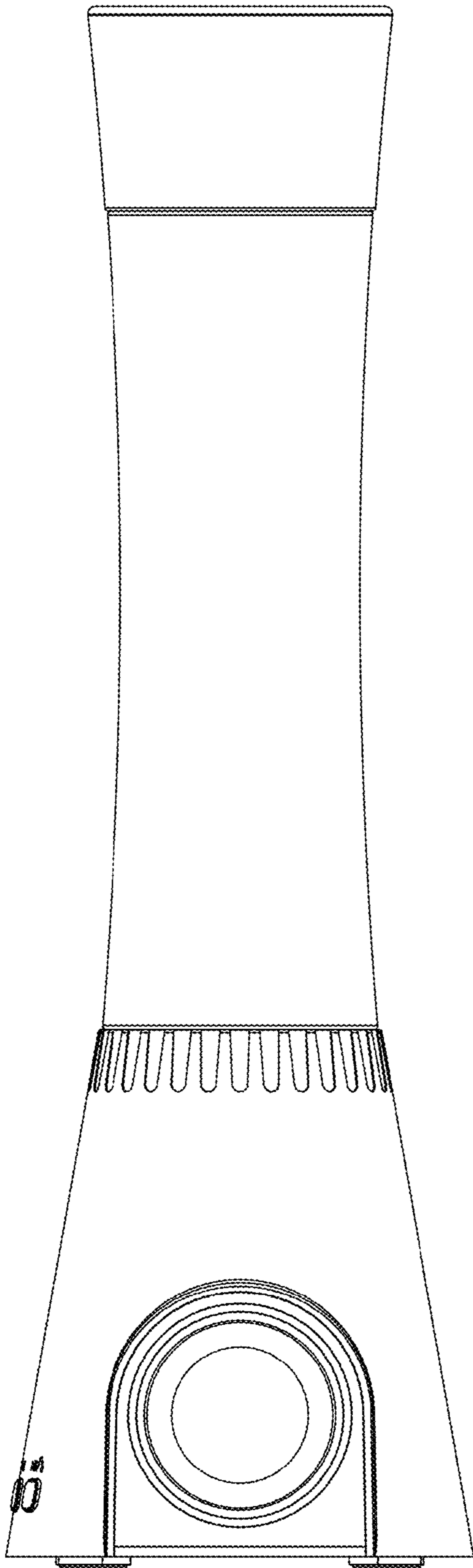


FIG. 1

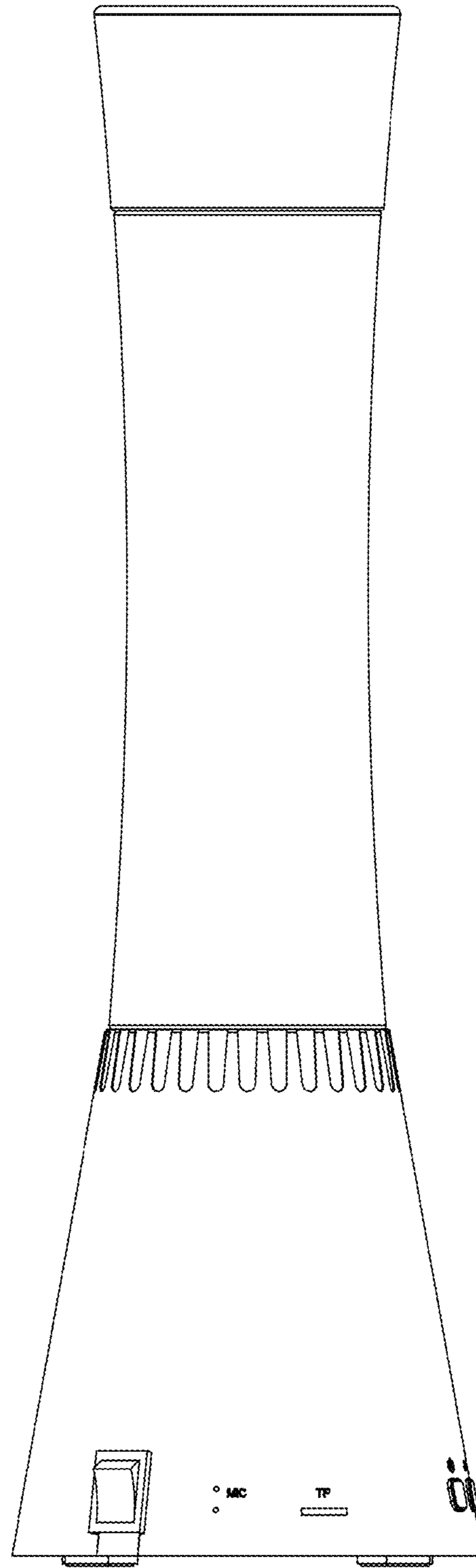


FIG. 2

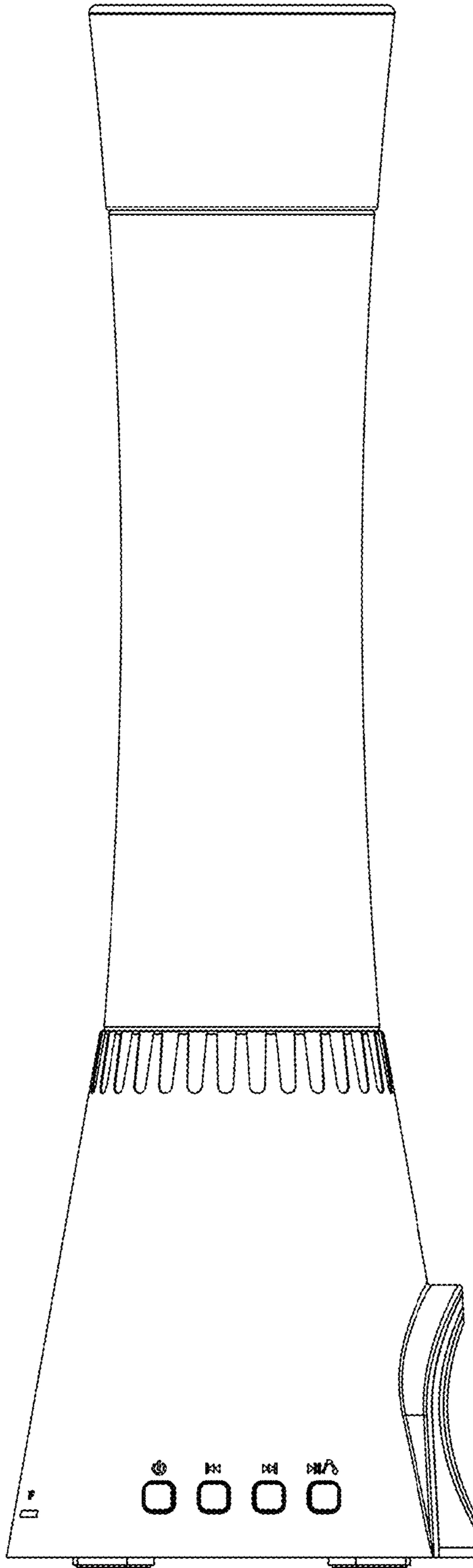


FIG. 3

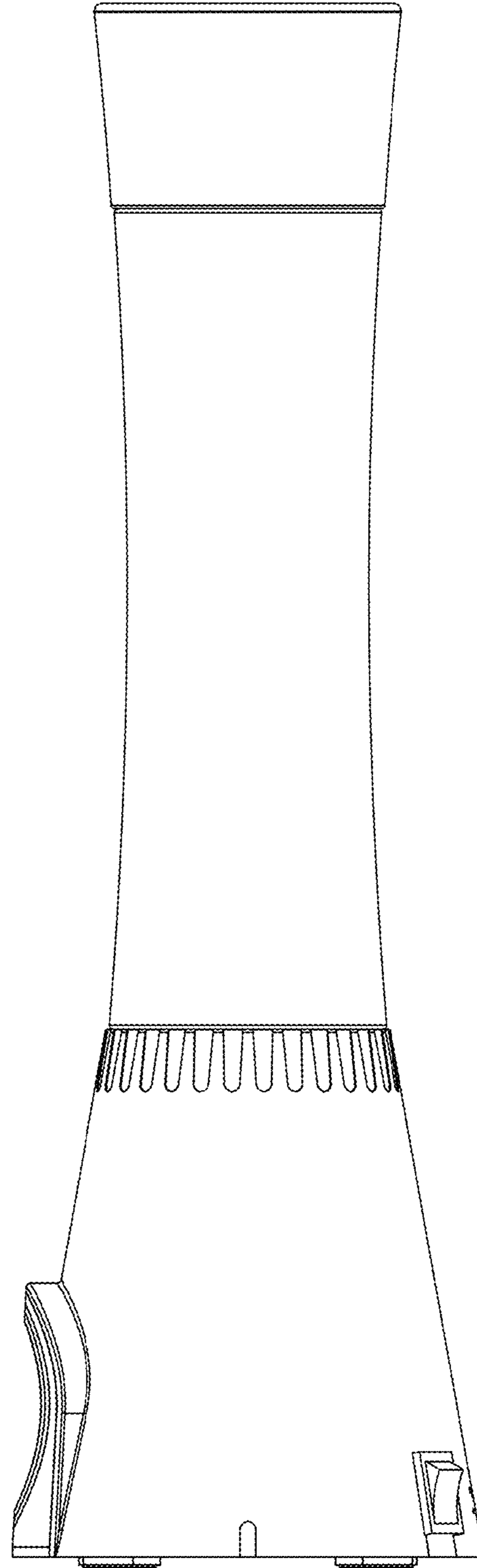


FIG. 4

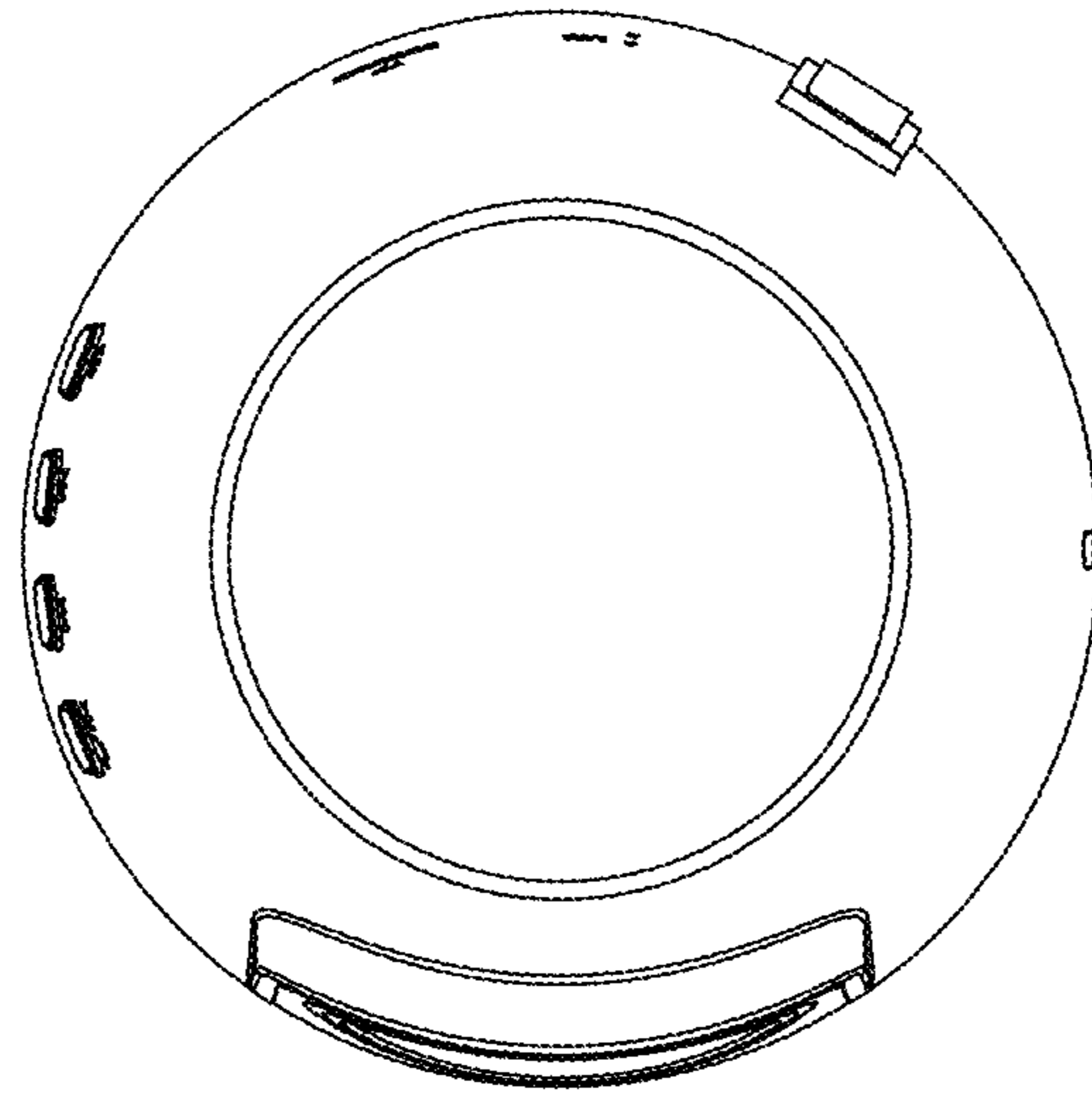


FIG. 5

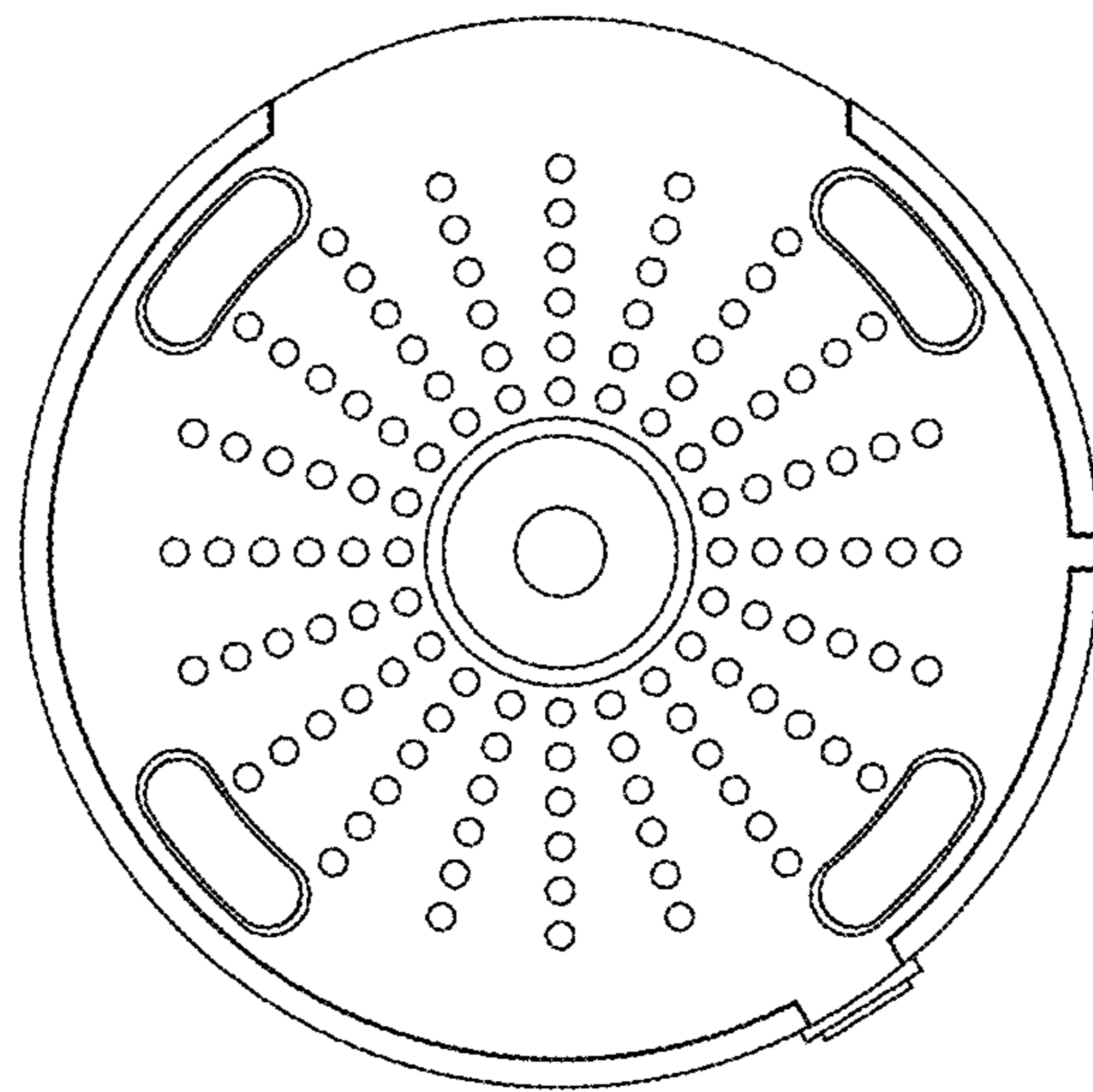


FIG. 6

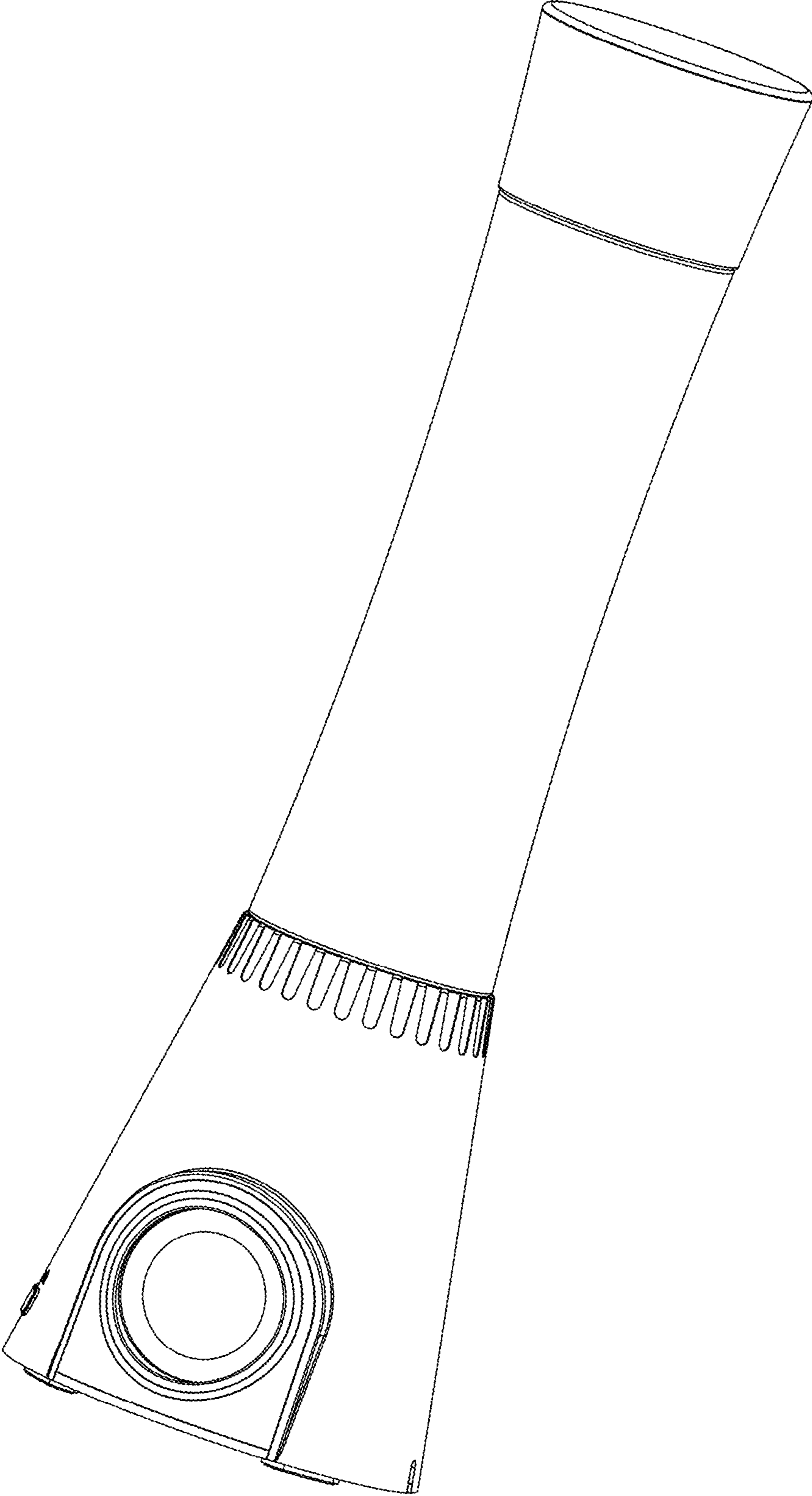


FIG. 7

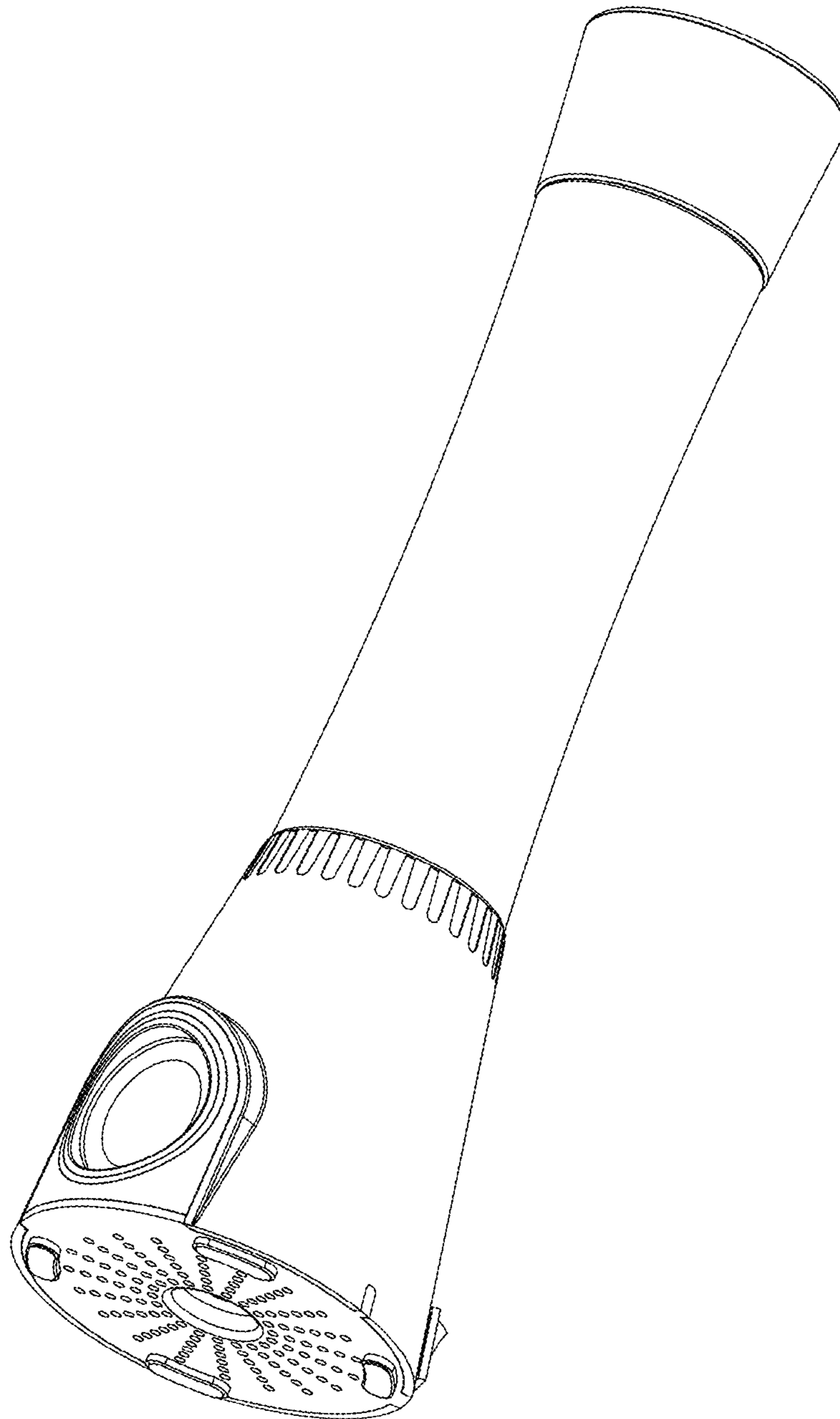


FIG. 8