



US00D803180S

(12) **United States Design Patent** (10) **Patent No.:** **US D803,180 S**
Nishimura et al. (45) **Date of Patent:** **** Nov. 21, 2017**

(54) **IMAGE DISPLAY APPARATUS FOR A MEDICAL DEVICE**
(71) Applicant: **Toshiba Medical Systems Corporation**, Otawara-shi, Tochigi-ken (JP)
(72) Inventors: **Kana Nishimura**, Tokyo (JP); **Yu Ueda**, Utsunomiya (JP)
(73) Assignee: **Toshiba Medical Systems Corporation**, Otawara-shi, Tochigi-ken (JP)

(**) Term: **15 Years**

(21) Appl. No.: **29/587,761**

(22) Filed: **Dec. 15, 2016**

(30) **Foreign Application Priority Data**

Sep. 8, 2016 (JP) 2016-019386

(51) **LOC (10) Cl.** **24-01**

(52) **U.S. Cl.**
USPC **D14/158**

(58) **Field of Classification Search**
USPC D24/107, 158-161, 185, 186, 187, 231;
D16/221, 225, 229, 235
CPC A61B 5/0042; A61B 5/055; A61B 6/03;
A61B 6/035; G01R 33/283; G01R 33/4806; G01R 33/4812; G03B 21/145;
G03B 21/30; G03B 21/54; G03B 21/585
See application file for complete search history.

(56) **References Cited**

U.S. PATENT DOCUMENTS

5,221,902 A * 6/1993 Jones G01R 33/36
324/318
D399,971 S * 10/1998 Scherer D24/231

D663,428 S * 7/2012 Goransson D24/185
D683,024 S * 5/2013 Baba D24/158
D717,437 S * 11/2014 Yamada D24/158
D719,656 S * 12/2014 Yamada D24/158
D719,657 S * 12/2014 Yamada D24/158
D725,779 S * 3/2015 Braswell, Jr. D24/158
D745,165 S * 12/2015 McGinley D24/159
2006/0074295 A1 * 4/2006 Kucharczyk A61B 5/055
600/422
2006/0224061 A1 * 10/2006 Woo A61B 5/055
600/410

FOREIGN PATENT DOCUMENTS

JP D1171667 2/2003
JP D1401936 10/2010

* cited by examiner

Primary Examiner — Anhdao Doan

(74) *Attorney, Agent, or Firm* — Banner & Witcoff, Ltd.

(57) **CLAIM**

The ornamental design for a image display apparatus for a medical device, as shown and described.

DESCRIPTION

FIG. 1 is a first perspective view of an image display apparatus for a medical device showing our new design; FIG. 2 is a second perspective view thereof; FIG. 3 is a front view thereof; FIG. 4 is rear view thereof; FIG. 5 is a top view thereof; FIG. 6 is a bottom view thereof; and, FIG. 7 is a side view thereof.

1 Claim, 4 Drawing Sheets

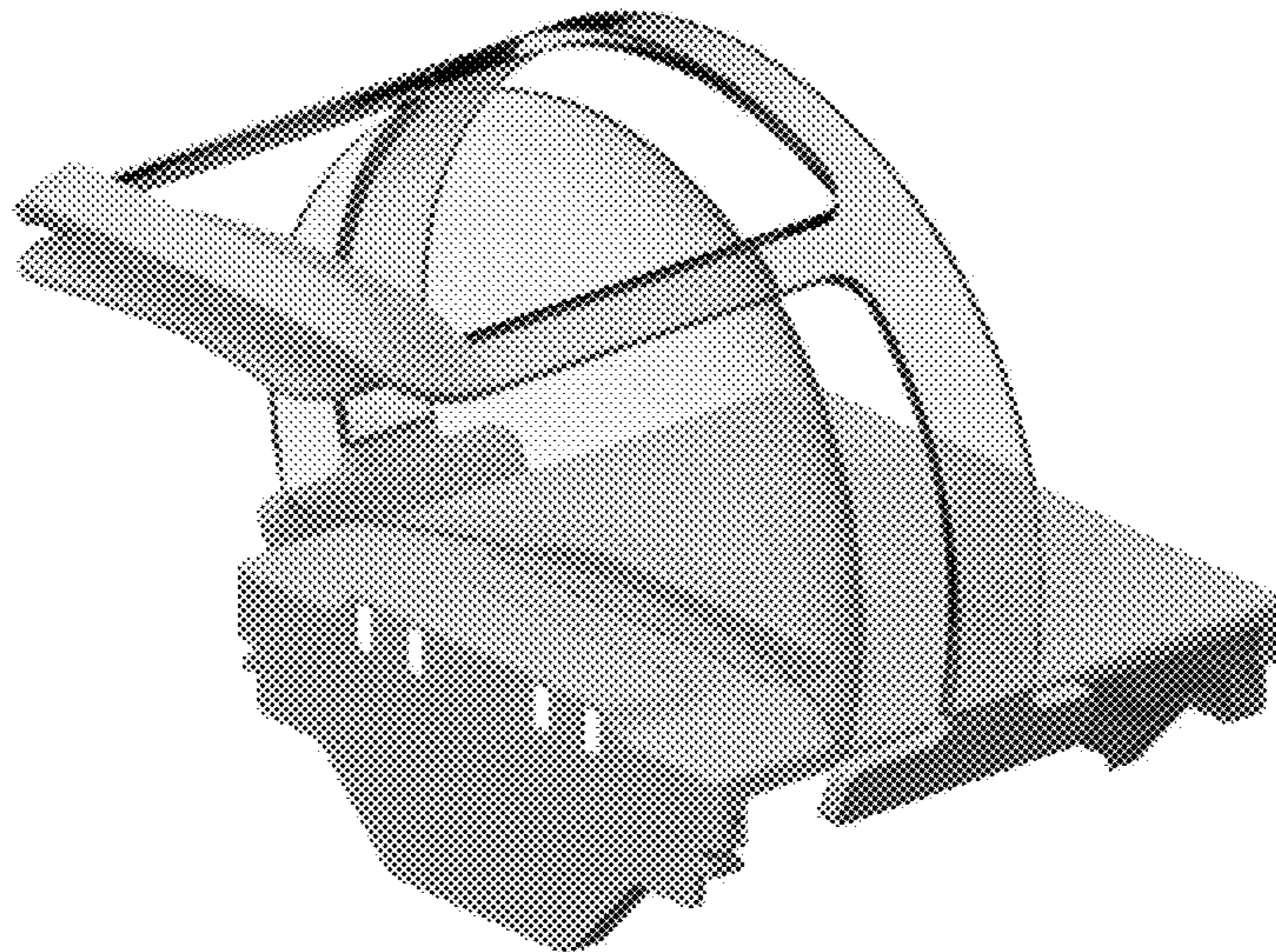


FIG. 1

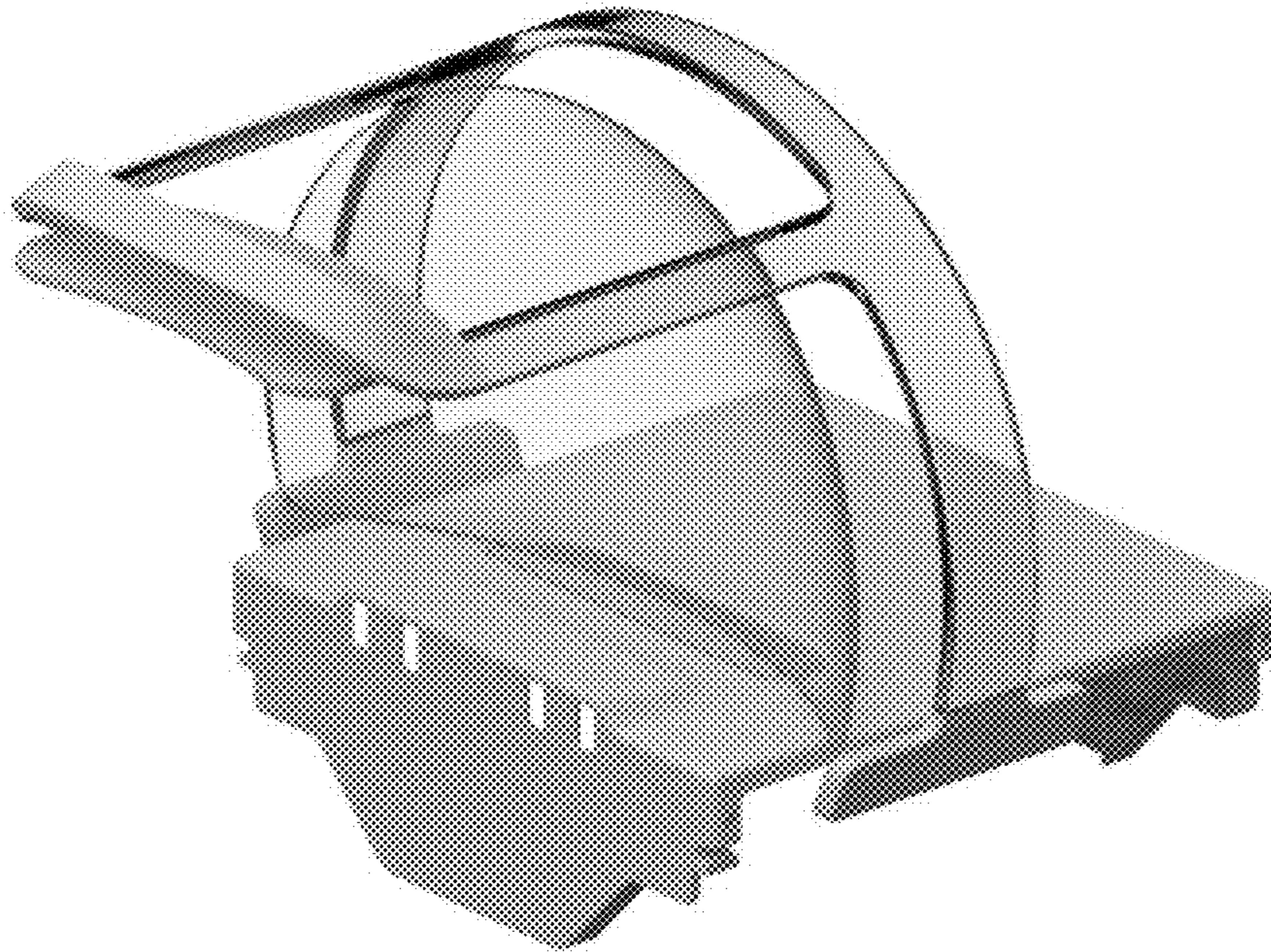


FIG. 2

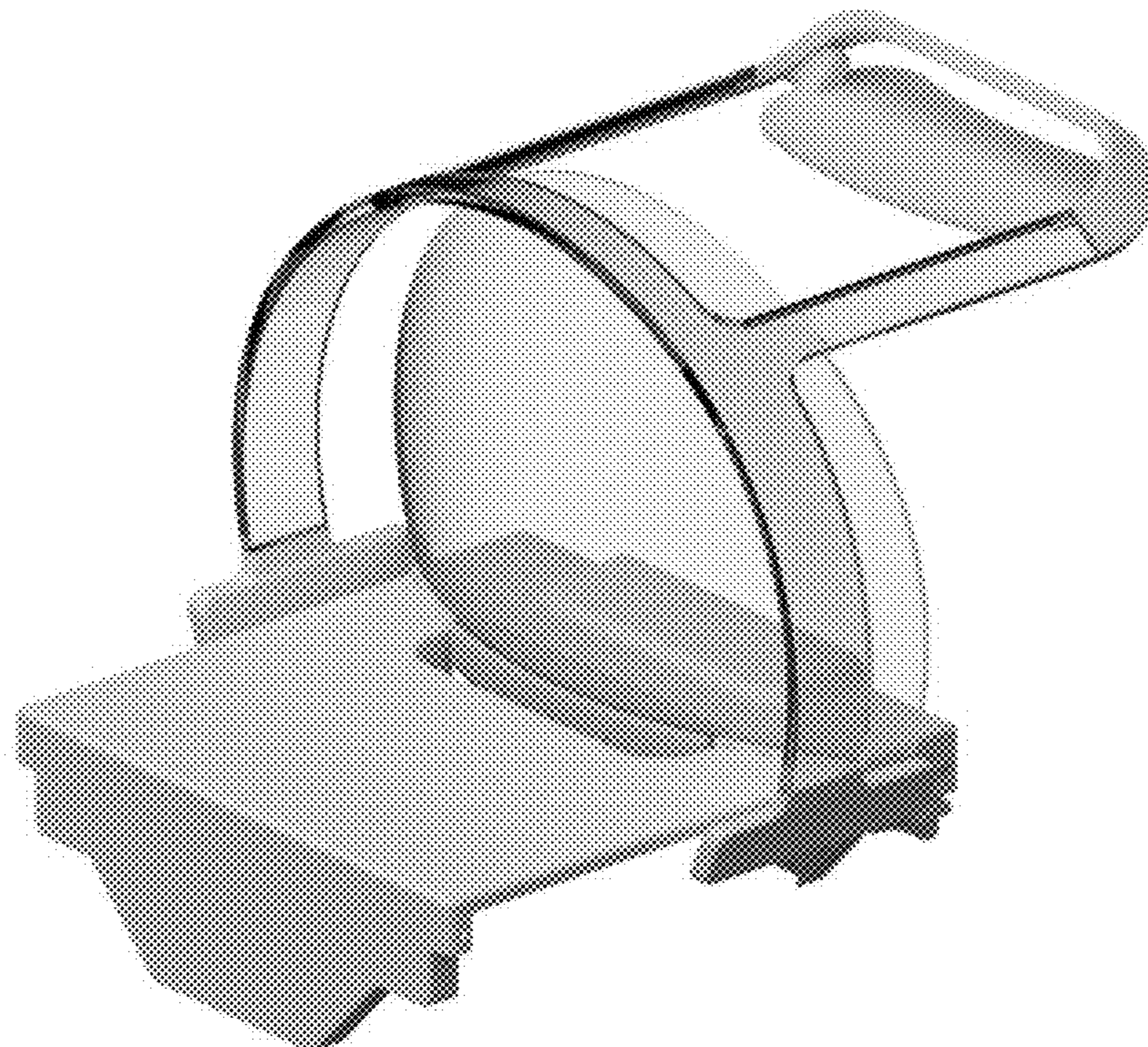


FIG.3

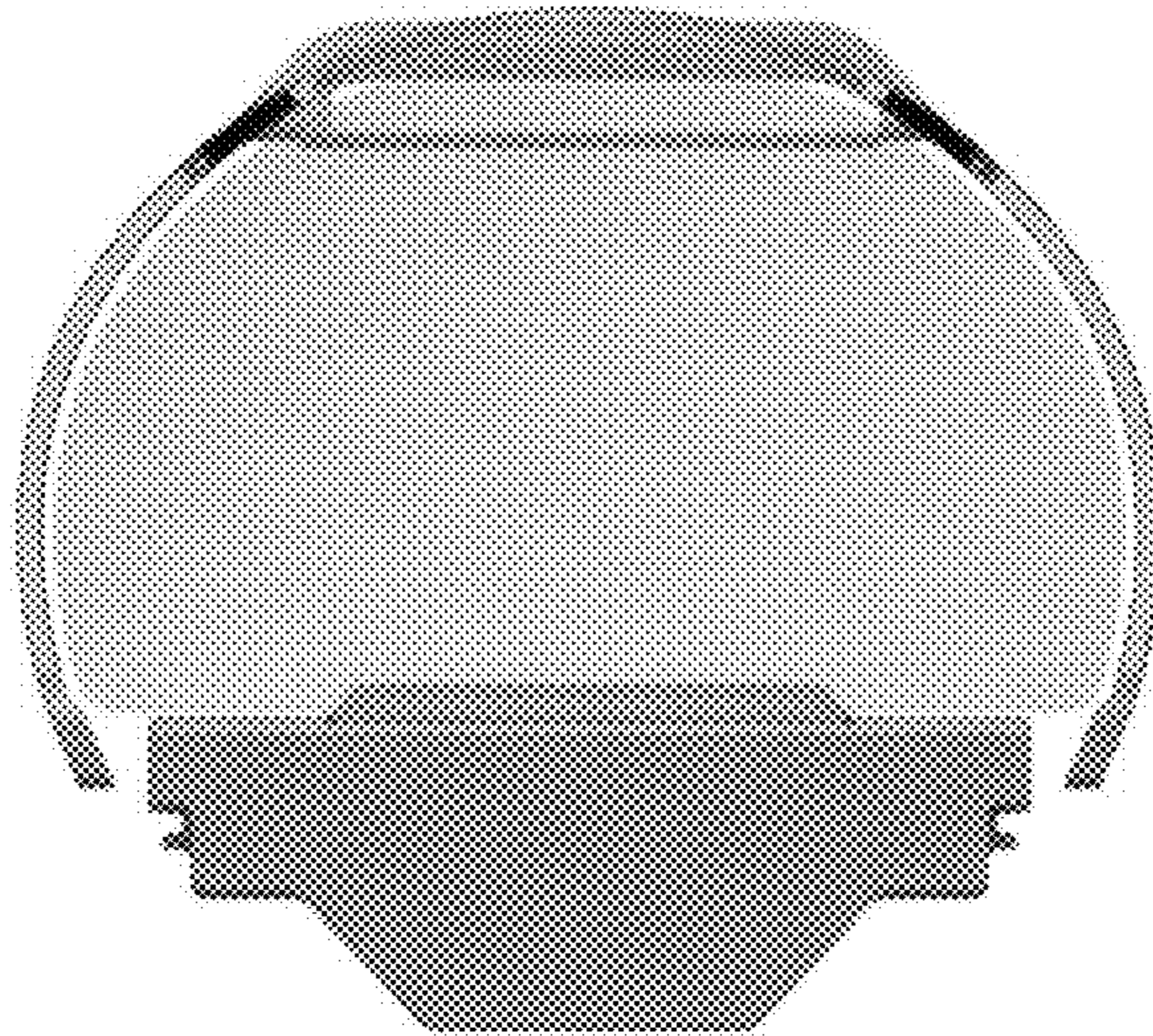


FIG.4

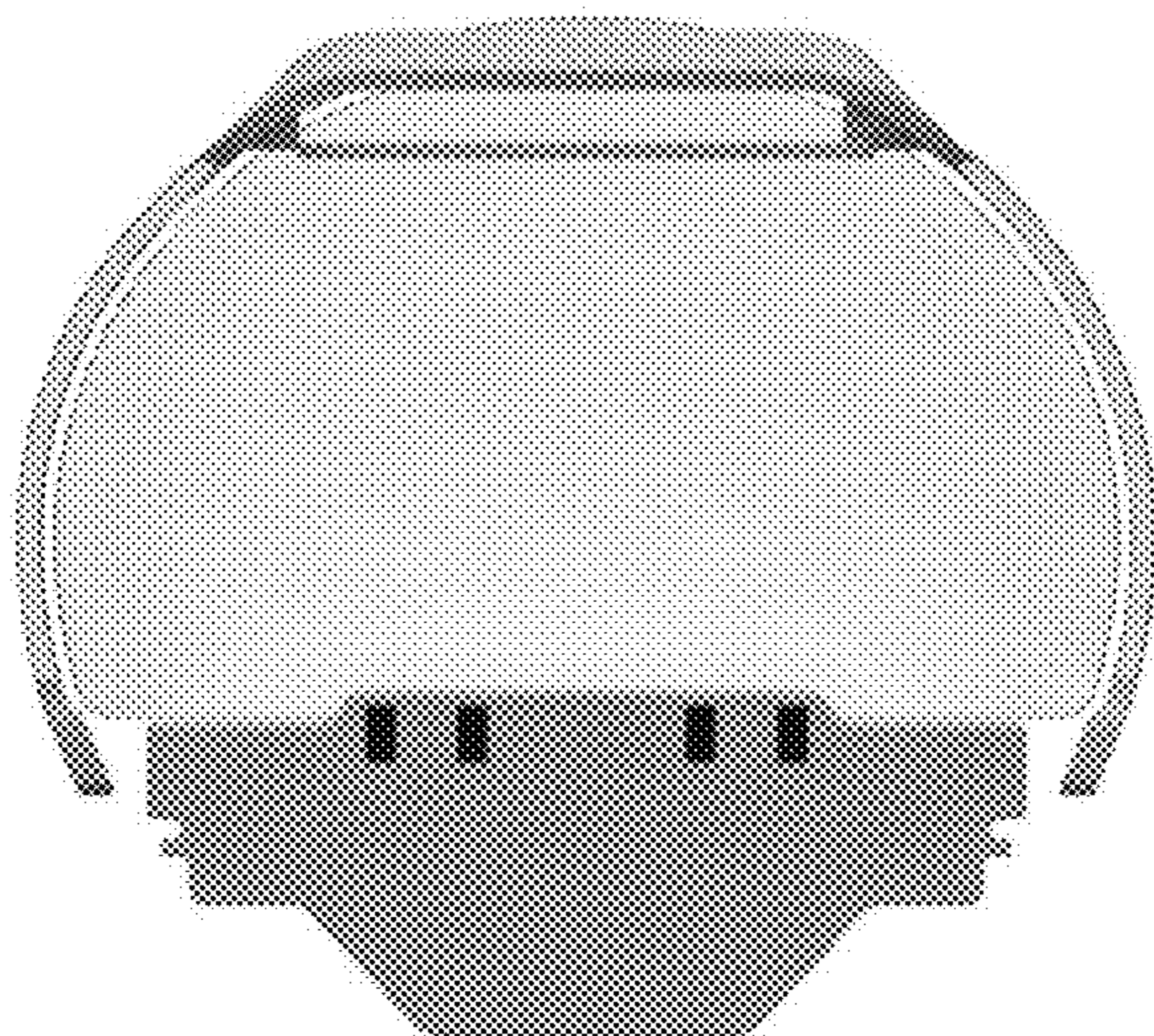


FIG.5

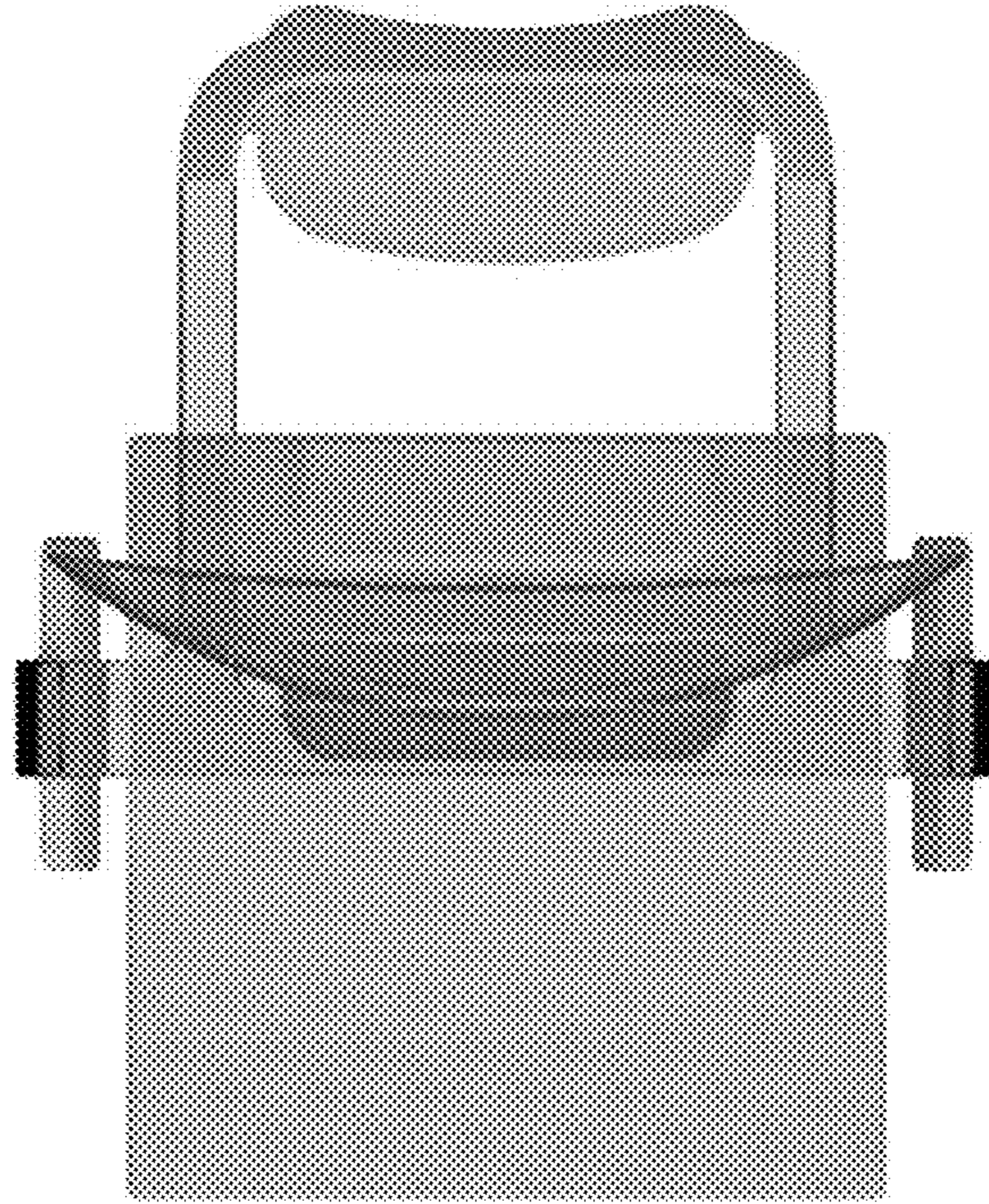


FIG.6

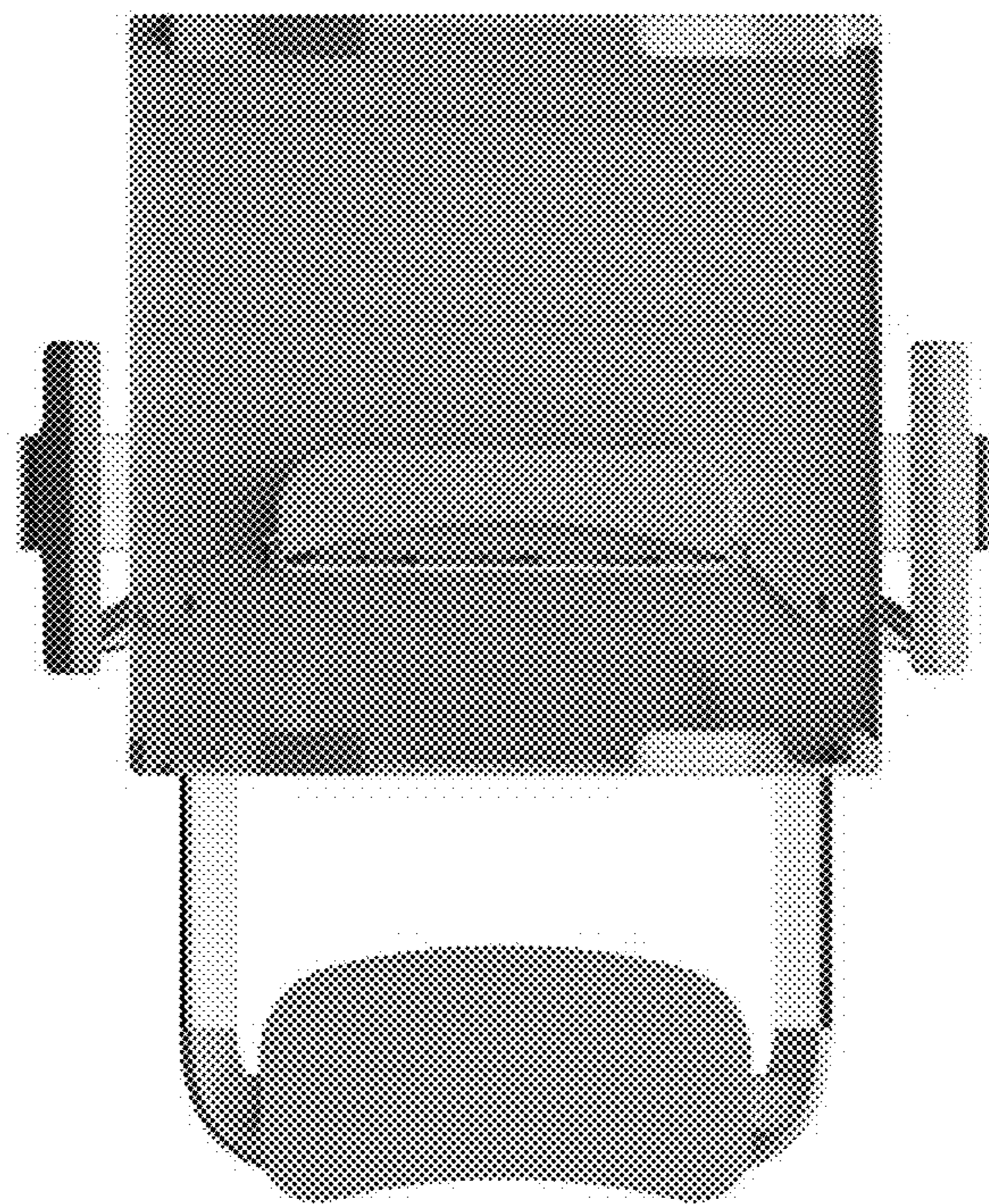


FIG. 7

