



US00D803178S

(12) **United States Design Patent**
Cho et al.

(10) **Patent No.:** **US D803,178 S**

(45) **Date of Patent:** **** Nov. 21, 2017**

(54) **MOBILE PHONE**

(71) Applicant: **LG ELECTRONICS INC.**, Seoul (KR)

(72) Inventors: **Minsu Cho**, Seoul (KR); **Boyoung Lee**, Seoul (KR)

(73) Assignee: **LG ELECTRONICS INC.**, Seoul (KR)

(**) Term: **15 Years**

(21) Appl. No.: **29/556,298**

(22) Filed: **Feb. 29, 2016**

(30) **Foreign Application Priority Data**

Aug. 31, 2015 (KR) 30-2015-0043884

(51) **LOC (10) Cl.** **14-03**

(52) **U.S. Cl.**
USPC **D14/138 AD**

(58) **Field of Classification Search**

USPC D14/138 AA, 138 AB, 138 AD, 138 AC,
D14/138 C, 138 G, 138 R, 248, 250, 253,
D14/341, 440; D3/215, 218, 269;
D21/324, 329, 330, 332
CPC . E06B 2009/405; G09F 13/22; B65H 75/364;
H04M 1/03; H04B 1/3888; H04N 5/2252
See application file for complete search history.

(56) **References Cited**

U.S. PATENT DOCUMENTS

4,326,727 A * 4/1982 Rock B62D 25/18
248/316.7
D268,242 S * 3/1983 Fitchett D6/303
D342,611 S * 12/1993 Andrews D6/311
D347,832 S * 6/1994 Kaye D14/389
6,474,009 B2 * 11/2002 Hahn G09F 1/10
24/460

(Continued)

FOREIGN PATENT DOCUMENTS

JP 63117472 A * 5/1988 H01L 31/04

OTHER PUBLICATIONS

Simpson, M., A futuristic look into Playstation game play, Oct. 22, 2008, Phys.org, [online], Retrieved Jan. 17, 2017 from <URL:https://phys.org/news/2008-10-futuristic-playstation-game.html>.*

(Continued)

Primary Examiner — Sheryl Lane

Assistant Examiner — Calvin E Vansant

(74) *Attorney, Agent, or Firm* — Birch, Stewart, Kolasch & Birch, LLP

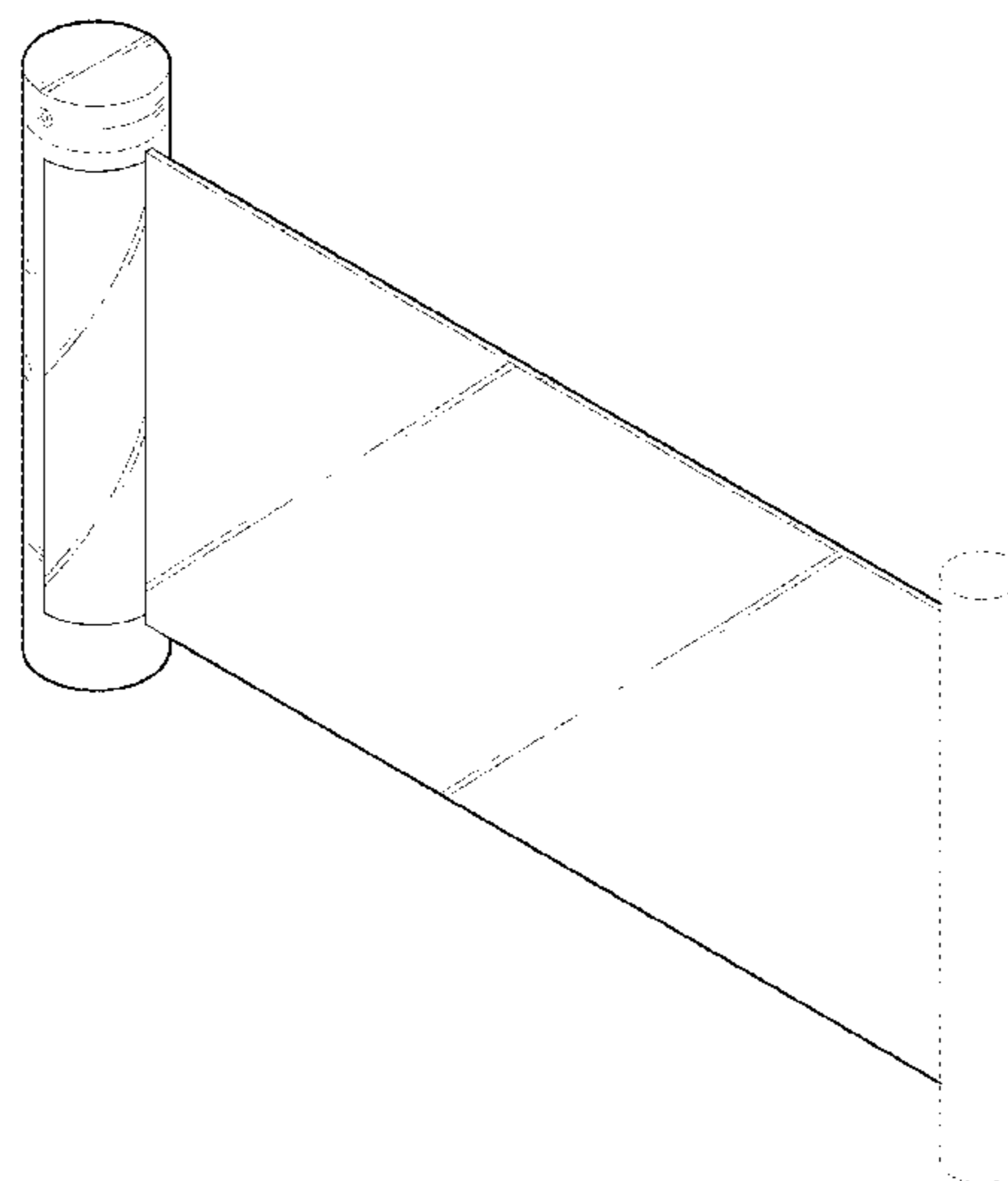
(57) **CLAIM**

The ornamental design for a mobile phone, as shown and described.

DESCRIPTION

FIG. 1 is a front perspective view of a mobile phone showing our new design in which the display part has been unrolled; FIG. 2 is a front view thereof; FIG. 3 is a rear view thereof; FIG. 4 is a left side view thereof; FIG. 5 is a right side view thereof; FIG. 6 is a top plan view thereof where the bottom plan view is a mirror image; FIG. 7 is a rear perspective view thereof; FIG. 8 is a front perspective view thereof in which the display part has been rolled; FIG. 9 is a front view of FIG. 8; FIG. 10 is a rear view of FIG. 8; and, FIG. 11 is a top plan view of FIG. 8 where the bottom plan view is a mirror image. The broken lines depict portions of the mobile phone that form no part of the claimed design.

1 Claim, 11 Drawing Sheets



(56)

References Cited

U.S. PATENT DOCUMENTS

6,498,597 B1 * 12/2002 Sawano G09F 11/29
 345/107
 D503,045 S * 3/2005 Hahn D6/300
 D518,109 S * 3/2006 Opolka D20/42
 7,184,086 B2 * 2/2007 Tamura H04N 5/2251
 348/333.06
 7,463,238 B2 * 12/2008 Funkhouser G06F 1/1601
 345/107
 7,679,644 B2 * 3/2010 Funato H04N 1/00127
 348/207.2
 7,830,333 B2 * 11/2010 Aoki G06F 1/1601
 345/1.3
 D633,147 S * 2/2011 Parshad D19/86
 D641,750 S * 7/2011 Hu D14/341
 8,502,788 B2 * 8/2013 Cho G06F 1/1626
 345/173
 D691,132 S * 10/2013 Sharma D14/341
 D706,261 S * 6/2014 Sharma D14/341
 9,063,269 B1 * 6/2015 Montelongo G02B 27/02
 D735,709 S * 8/2015 Daniel D14/341
 9,098,241 B1 * 8/2015 Cho H05K 1/028
 9,111,470 B2 * 8/2015 Anderson G09F 9/301
 9,189,028 B2 * 11/2015 Nakhimov G06F 1/1652
 D744,998 S * 12/2015 Ahn D14/341
 9,250,708 B2 * 2/2016 Natarajan G06F 3/0221
 2003/0071800 A1 * 4/2003 Vincent G02F 1/15
 345/204
 2003/0160892 A1 * 8/2003 Tamura H04N 5/2251
 348/333.07
 2005/0110702 A1 * 5/2005 Aoki G06F 1/1601
 345/30
 2006/0207142 A1 * 9/2006 Kochan G09F 11/29
 40/604

2006/0222442 A1 * 10/2006 Lin B43K 29/12
 401/195
 2008/0086925 A1 * 4/2008 Yang H04M 1/0268
 40/610
 2008/0212271 A1 * 9/2008 Misawa G02F 1/133305
 361/679.01
 2010/0033435 A1 * 2/2010 Huitema G06F 1/1615
 345/173
 2014/0268532 A1 * 9/2014 Nicol G09F 15/0062
 361/679.26
 2014/0362512 A1 * 12/2014 Hinson G06F 15/025
 361/679.21
 2015/0047796 A1 * 2/2015 Peng E06B 9/42
 160/323.1
 2015/0048349 A1 * 2/2015 Kawata H01L 51/0097
 257/40
 2015/0220119 A1 * 8/2015 Seo G06F 3/041
 345/173
 2016/0034000 A1 * 2/2016 Lee G06F 1/1652
 361/749
 2016/0079329 A1 * 3/2016 Lee G06F 1/1643
 257/40
 2016/0205791 A1 * 7/2016 Kim G06F 1/1652
 361/679.01
 2016/0226021 A1 * 8/2016 Lee H01L 51/5253
 2016/0299531 A1 * 10/2016 Vertegaal G06F 1/1666
 2016/0349971 A1 * 12/2016 Chi G09G 5/373
 2016/0370877 A1 * 12/2016 Seo G06F 1/1652

OTHER PUBLICATIONS

Lee, T., iRoll concept phone aims to be a space saver, Ubergizmo.com, Jul. 5, 2011, ubergizmo.com, [online], Retrieved Jan. 17, 2017 from <URL: <http://www.ubergizmo.com/2011/07/i-roll-concept-phone-aims-to-be-a-space-saver/>>.*

* cited by examiner

FIG. 1

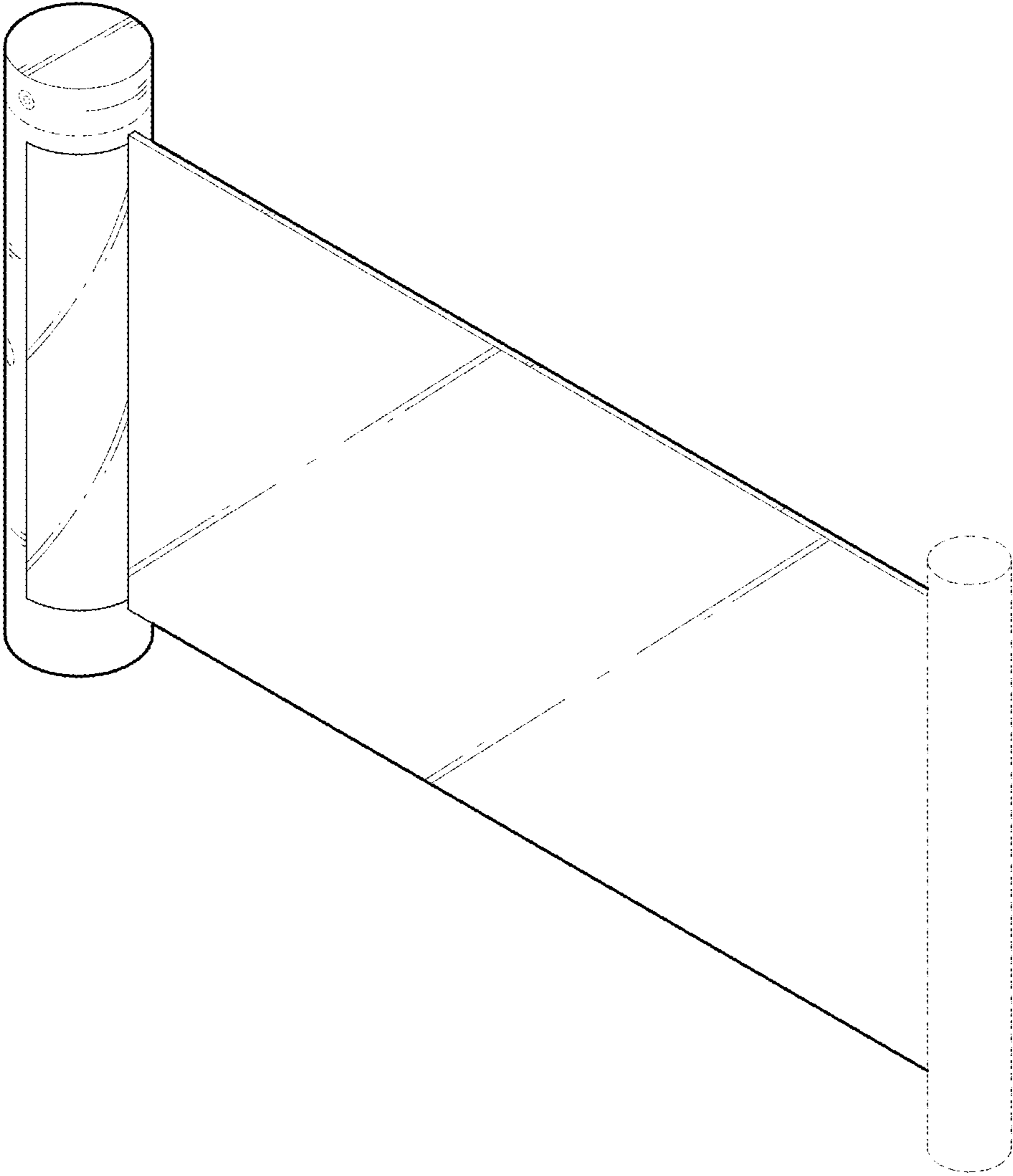


FIG. 2

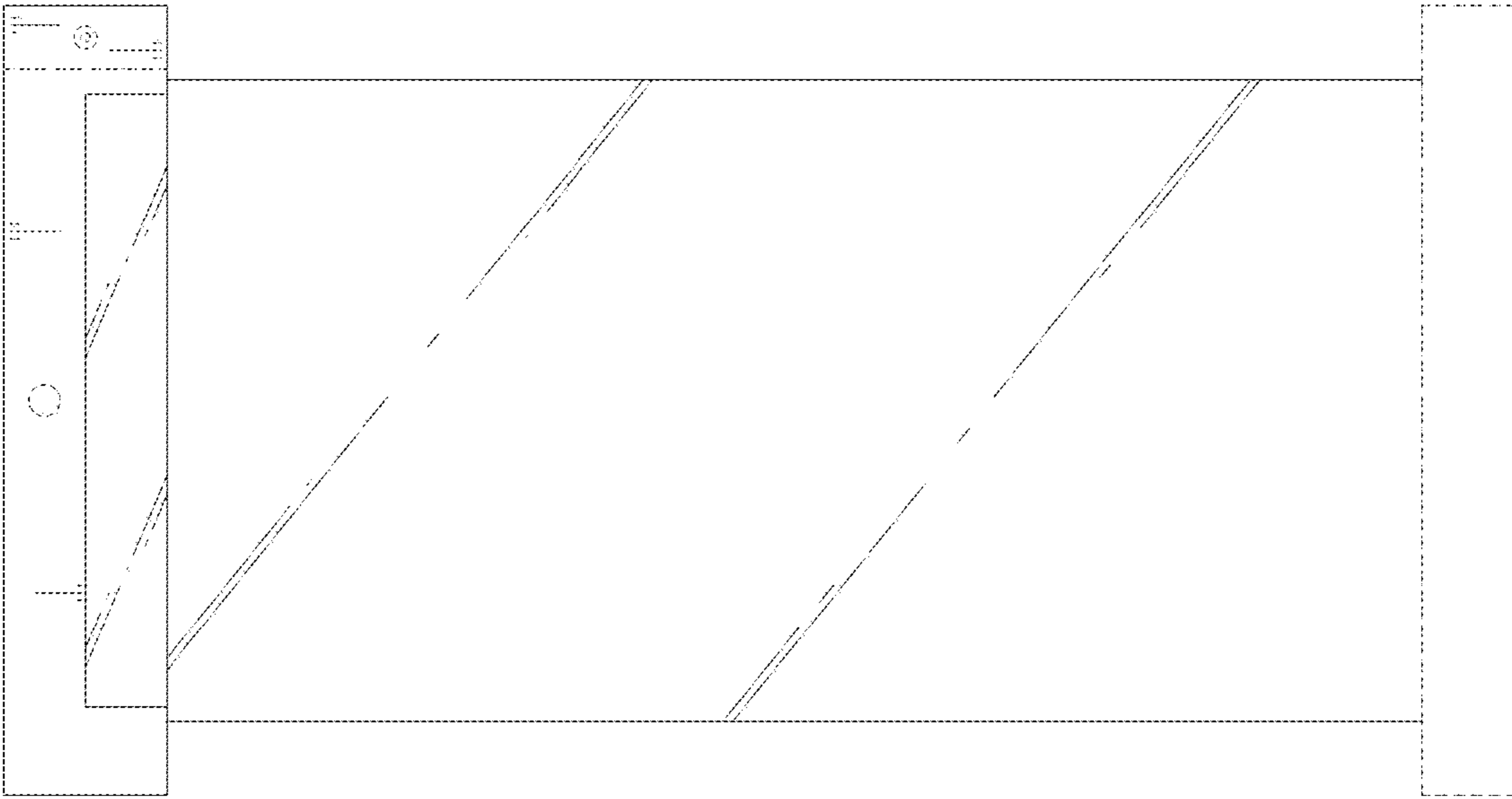


FIG. 3

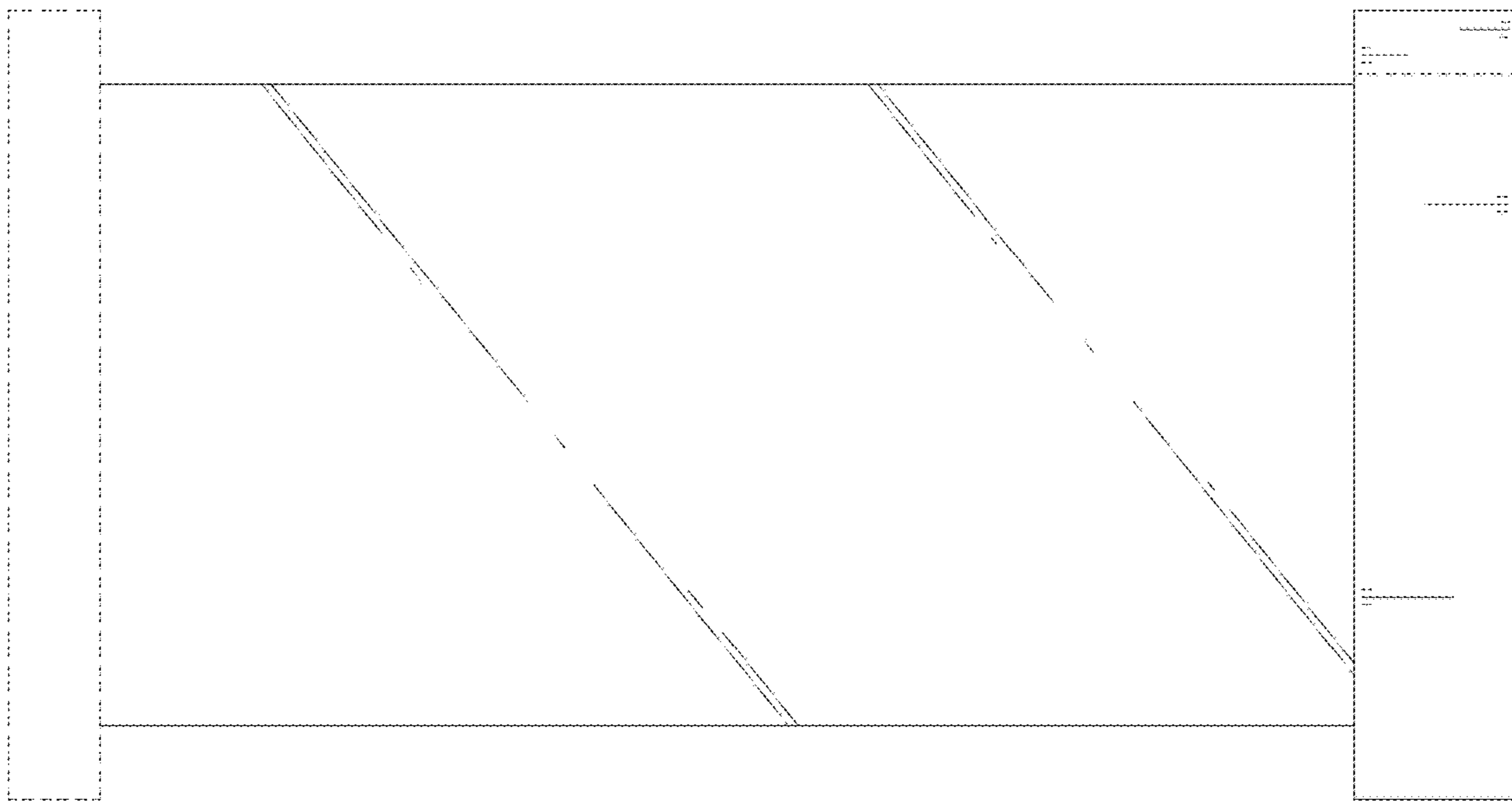


FIG. 4

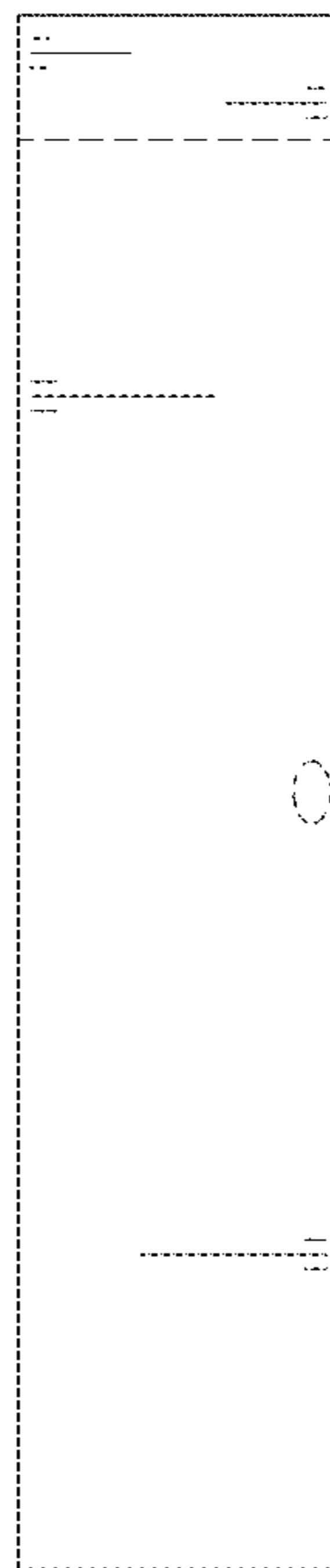


FIG. 5

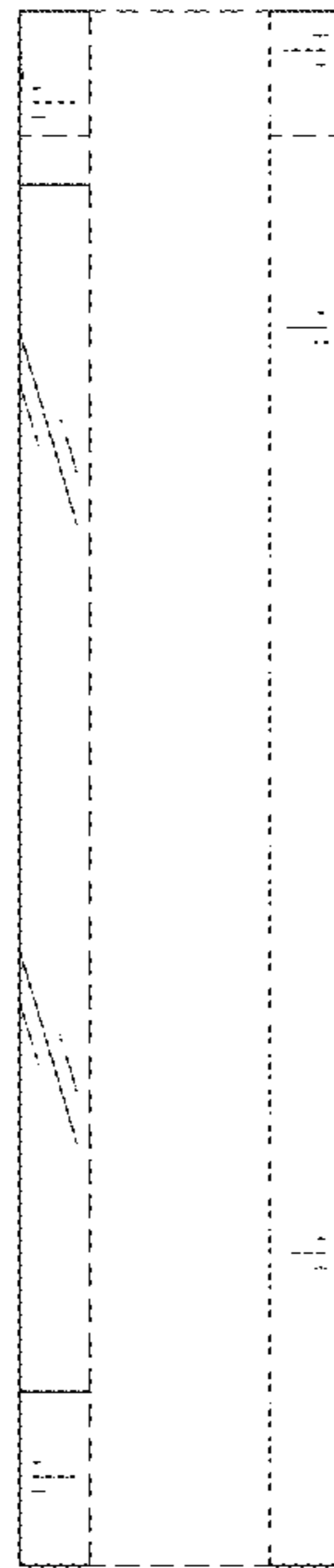


FIG. 6

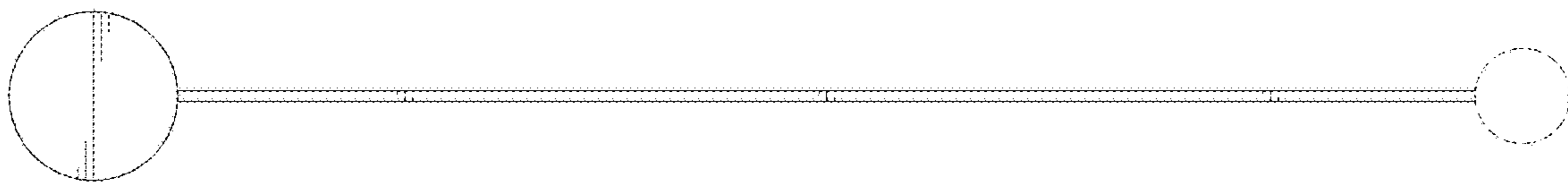


FIG. 7

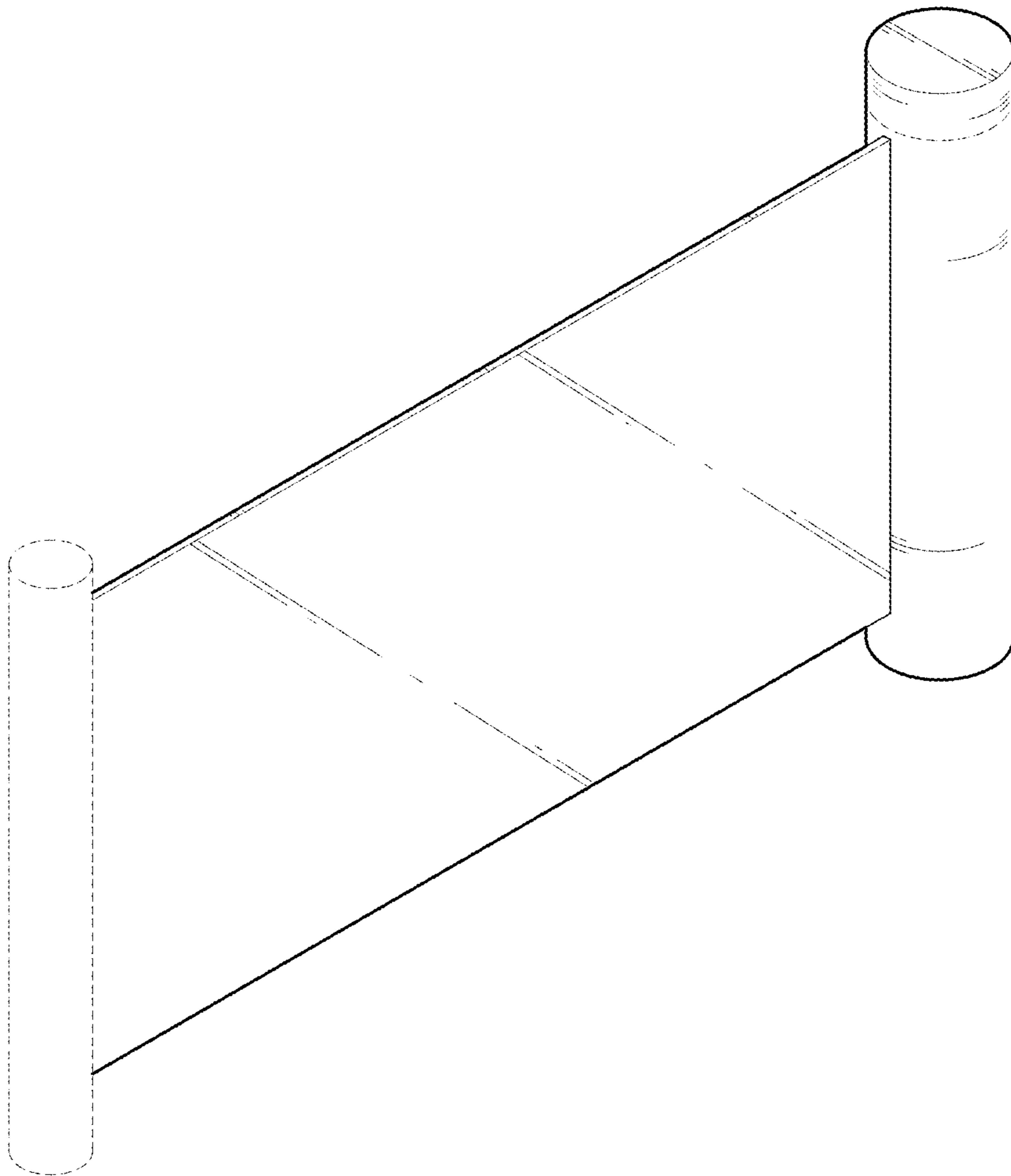


FIG. 8

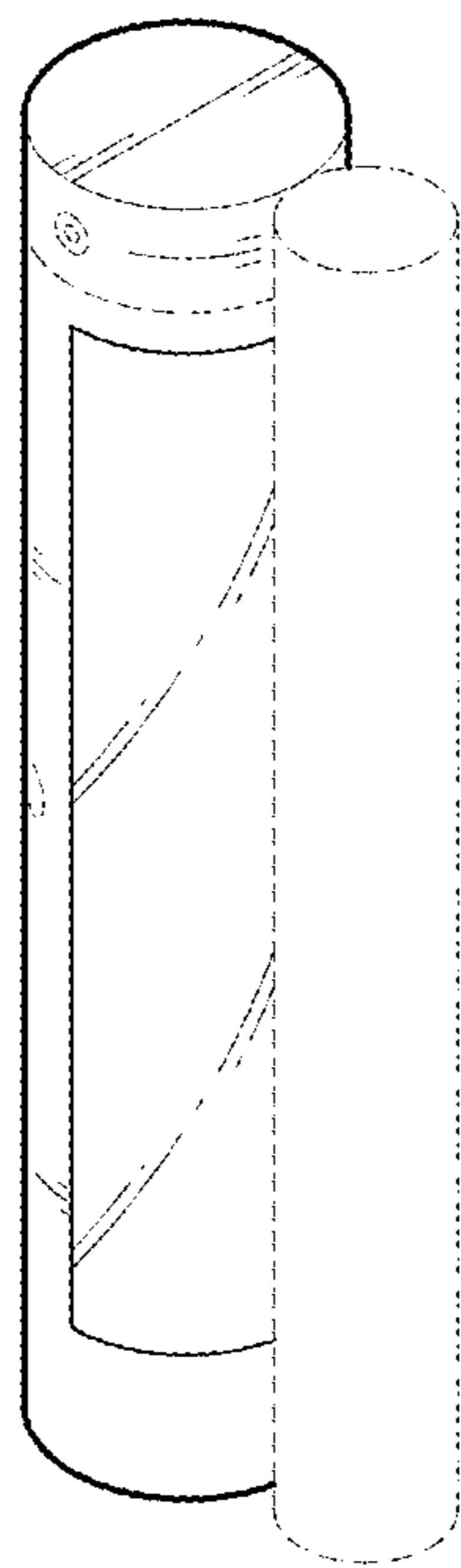


FIG. 9

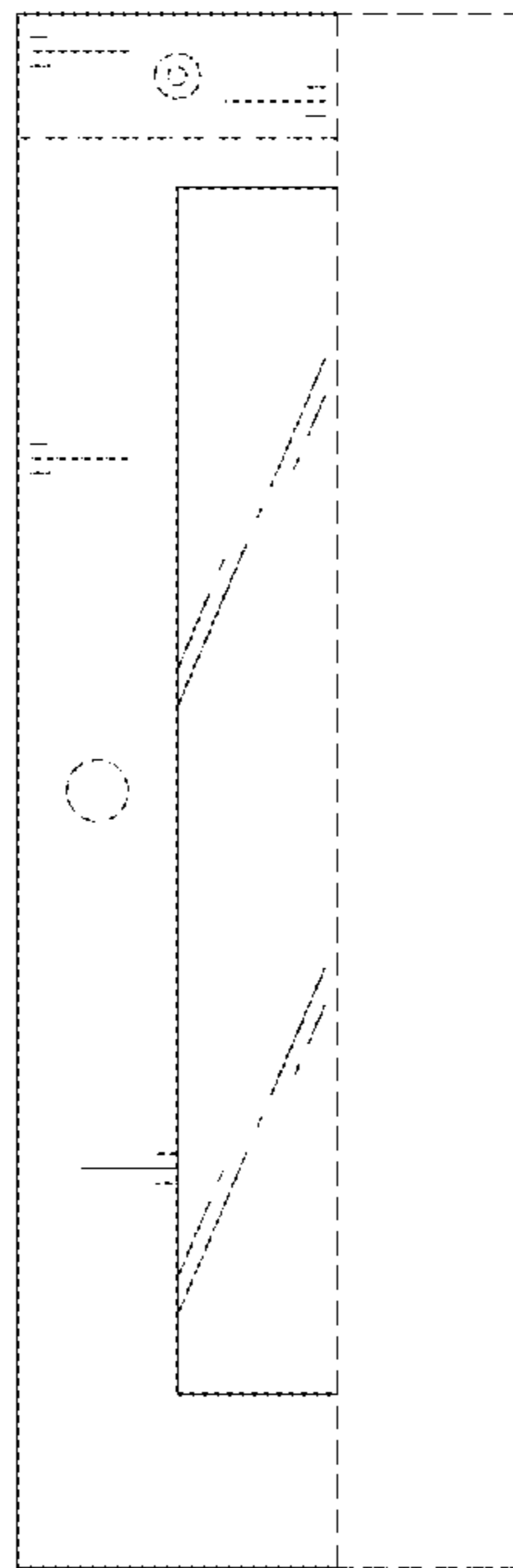


FIG. 10

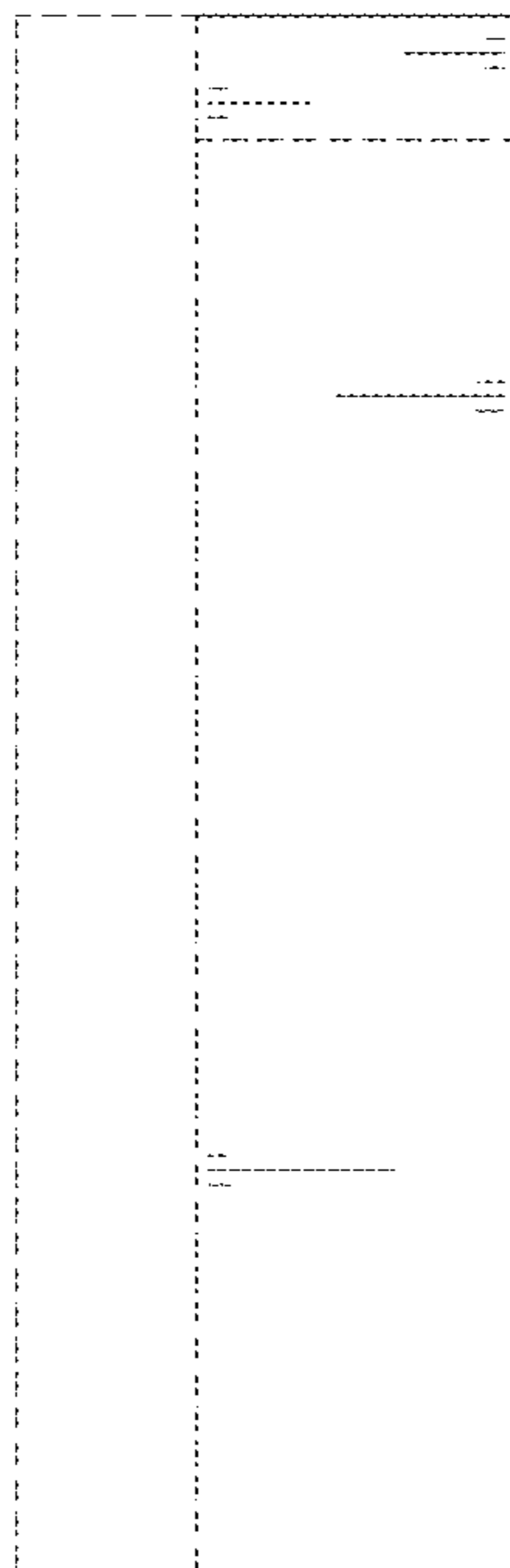


FIG. 11

