



US00D803174S

(12) **United States Design Patent** (10) **Patent No.:** **US D803,174 S**  
**Coffey et al.** (45) **Date of Patent:** **\*\* Nov. 21, 2017**

(54) **VIDEO CONFERENCING APPARATUS**

(56) **References Cited**

(71) Applicants: **John Coffey**, Westford, MA (US); **Jean Pierre Carney**, Sudbury, MA (US); **Timothy D Root**, Nashua, NH (US); **Barret Wolber**, Nashua, NH (US); **John W Wolber**, Nashua, NH (US); **Jonathan Schau**, Sudbury, MA (US); **Mathieu Zastawny**, Jersey City, NJ (US); **Lance Hazelton**, West New York, NJ (US); **John Moldauer**, Hoboken, NJ (US)

U.S. PATENT DOCUMENTS

D472,542 S	*	4/2003	Oikawa .....	D14/172
D660,284 S	*	5/2012	Carbone .....	D14/214
D681,607 S	*	5/2013	Nishii .....	D14/214
D703,194 S	*	4/2014	Jacobs .....	D14/225
D709,542 S	*	7/2014	Bailey .....	D16/202
D742,845 S	*	11/2015	Ostensen .....	D14/126
D756,322 S	*	5/2016	Ostensen .....	D14/126
D760,674 S	*	7/2016	Chalabi .....	D14/125
D767,756 S	*	9/2016	Sabin .....	D24/111

\* cited by examiner

(72) Inventors: **John Coffey**, Westford, MA (US); **Jean Pierre Carney**, Sudbury, MA (US); **Timothy D Root**, Nashua, NH (US); **Barret Wolber**, Nashua, NH (US); **John W Wolber**, Nashua, NH (US); **Jonathan Schau**, Sudbury, MA (US); **Mathieu Zastawny**, Jersey City, NJ (US); **Lance Hazelton**, West New York, NJ (US); **John Moldauer**, Hoboken, NJ (US)

*Primary Examiner* — Randall Gholson

(74) *Attorney, Agent, or Firm* — Robert Schuler

(57) **CLAIM**

The ornamental design for a video conferencing apparatus, as shown and described.

**DESCRIPTION**

(73) Assignee: **Revo Labs, Inc**, Sudbury, MA (US)

FIG. 1 is a perspective view showing the top and front sides of a video conferencing apparatus.

(\*\*) Term: **15 Years**

FIG. 2 is a front side elevation view of the video conferencing apparatus in FIG. 1.

(21) Appl. No.: **29/585,775**

FIG. 3 is a top plan view of the video conferencing apparatus in FIG. 1.

(22) Filed: **Nov. 29, 2016**

FIG. 4 is a bottom plan view of the video conferencing apparatus in FIG. 1.

(51) **LOC (10) Cl.** ..... **14-03**

(52) **U.S. Cl.**  
USPC ..... **D14/125; D14/129**

FIG. 5 is a left side elevation view of the video conferencing apparatus in FIG. 1; and,

(58) **Field of Classification Search**

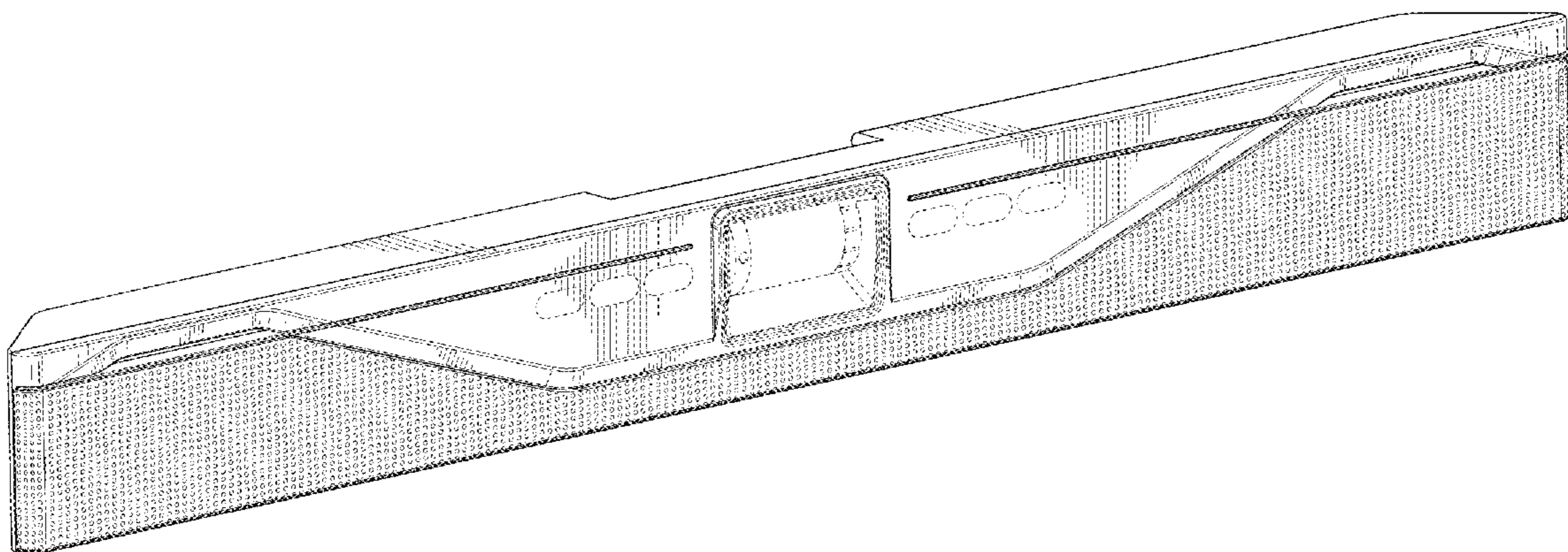
USPC ..... D14/125, 129, 357, 358, 496, 188, 242, D14/432; D13/184; 348/10, 460, 706, 348/731; 340/825.03; 455/6.1, 6.2; 312/223.1, 7.2

FIG. 6 is a right side elevation view of the video conferencing apparatus in FIG. 1.

CPC ..... H04N 21/00; H04N 21/20; H04N 21/40  
See application file for complete search history.

The broken lines appearing in the Figures depict portions of the video conferencing apparatus that form no part of the claimed design.

**1 Claim, 4 Drawing Sheets**



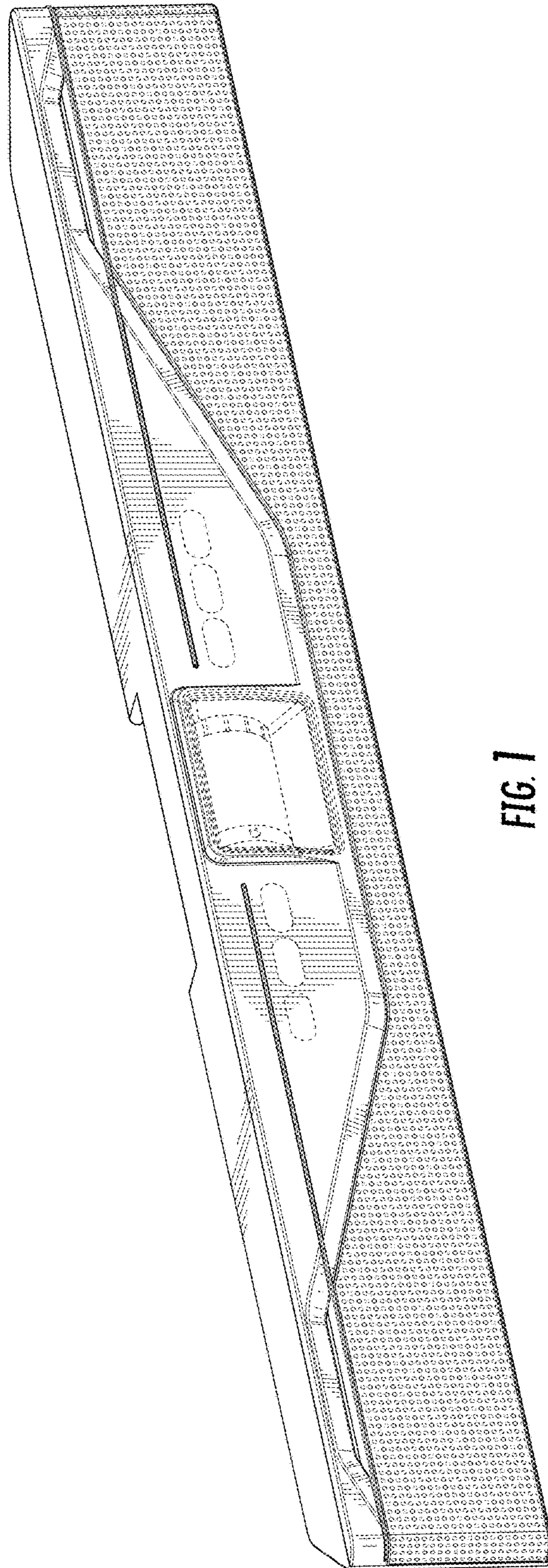


FIG. 1

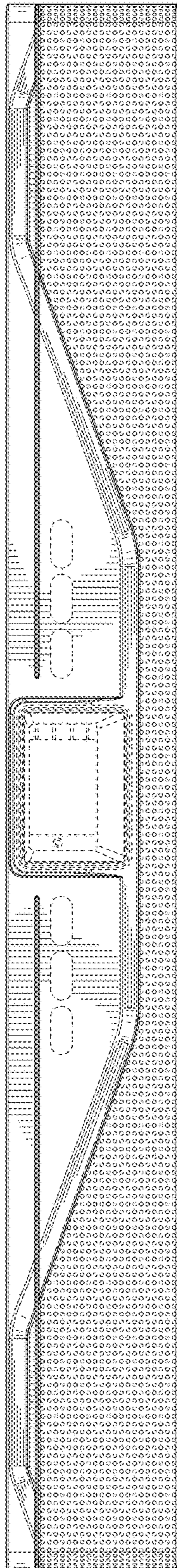


FIG. 2

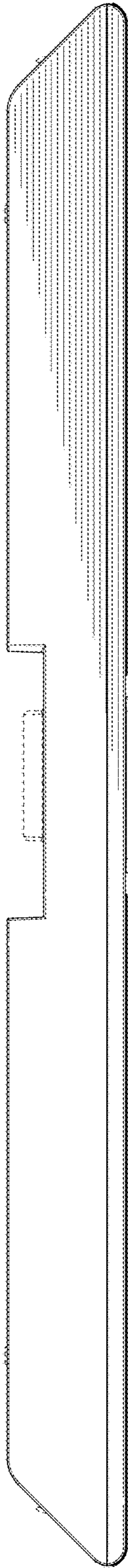


FIG. 3

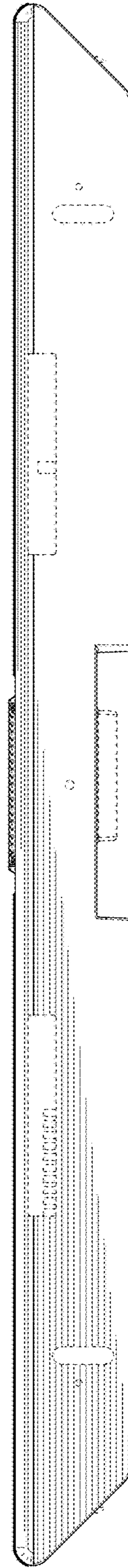
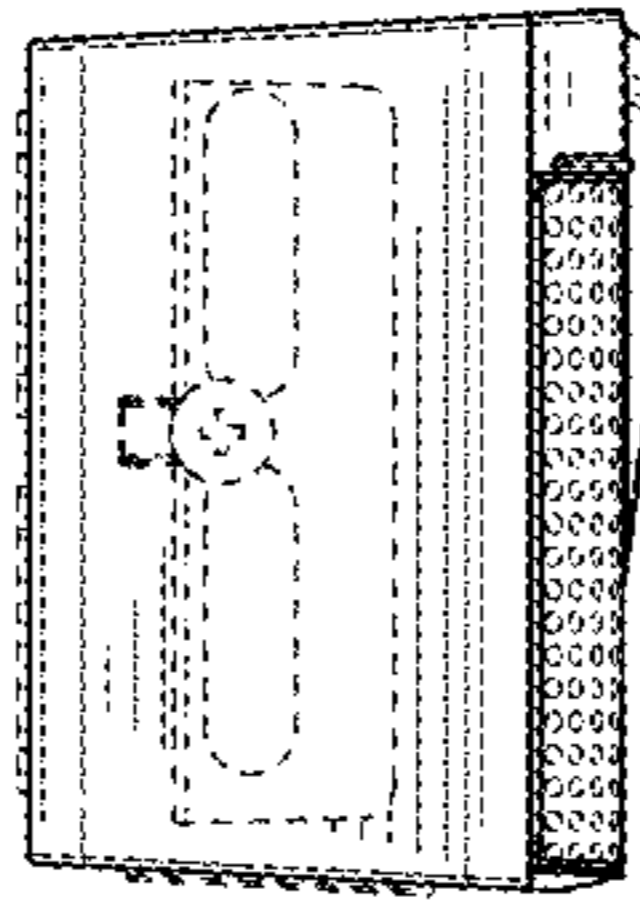
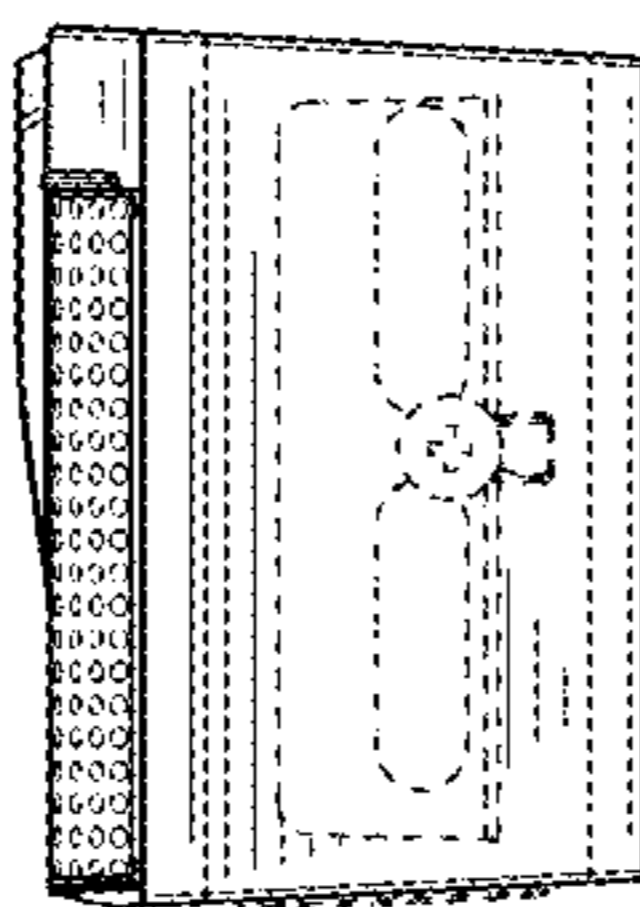


FIG. 4



**FIG. 5**



**FIG. 6**