



US00D803168S

(12) **United States Design Patent**  
**Bergum**

(10) **Patent No.:** **US D803,168 S**

(45) **Date of Patent:** **\*\* Nov. 21, 2017**

(54) **CONTROL PANEL COVER**

(71) Applicant: **S.J. Electro Systems, Inc.**, Detroit Lakes, MN (US)

(72) Inventor: **Alan J. Bergum**, Detroit Lakes, MN (US)

(73) Assignee: **S. J. Electro Systems, Inc.**, Detroit Lakes, MN (US)

(\*\*) Term: **15 Years**

(21) Appl. No.: **29/580,482**

(22) Filed: **Oct. 10, 2016**

**Related U.S. Application Data**

(62) Division of application No. 29/506,733, filed on Oct. 20, 2014, now Pat. No. Des. 780,703.

(51) **LOC (10) Cl.** ..... **13-03**

(52) **U.S. Cl.**  
USPC ..... **D13/177; D13/184**

(58) **Field of Classification Search**  
USPC ..... D13/152, 158, 173, 177, 184; D15/7  
CPC ..... H02B 1/50; H02G 3/0493; H02G 3/08;  
H02G 3/081; H02G 3/088; H02G 3/10;  
H02G 3/14; H02G 3/121; H05K 5/00;  
H05K 5/02; H05K 5/0204; H05K 5/0234;  
H05K 5/03; H05K 5/06; H05K 5/061;  
Y10T 137/7021

See application file for complete search history.

(56) **References Cited**

**U.S. PATENT DOCUMENTS**

D127,156 S	5/1941	Koons
3,226,881 A	1/1966	Garrett
D210,286 S	2/1968	Venema
3,868,040 A	2/1975	Langmack, Jr. et al.
4,158,102 A	6/1979	Bright
4,365,108 A	12/1982	Bright

D271,970 S	12/1983	Velsher et al.
4,556,080 A	12/1985	Picaud
D298,031 S	10/1988	Channell
D301,478 S	6/1989	Yankoff
D305,420 S	1/1990	Bujak, Jr. et al.
D314,182 S	1/1991	Moerman
D345,145 S	3/1994	Fogg et al.
5,394,898 A	3/1995	Turner
D374,658 S	10/1996	Bever et al.
D386,952 S	12/1997	Jasso, Jr.
D428,602 S	7/2000	Taylor

(Continued)

**OTHER PUBLICATIONS**

“EZ Series Plugger Panel and Simplex Panel,” SJE-Rhombus®, 2 pages (©SJE-Rhombus Feb. 2010).

(Continued)

*Primary Examiner* — Selina Sikder

(74) *Attorney, Agent, or Firm* — Dicke, Billig & Czaja, PLLC

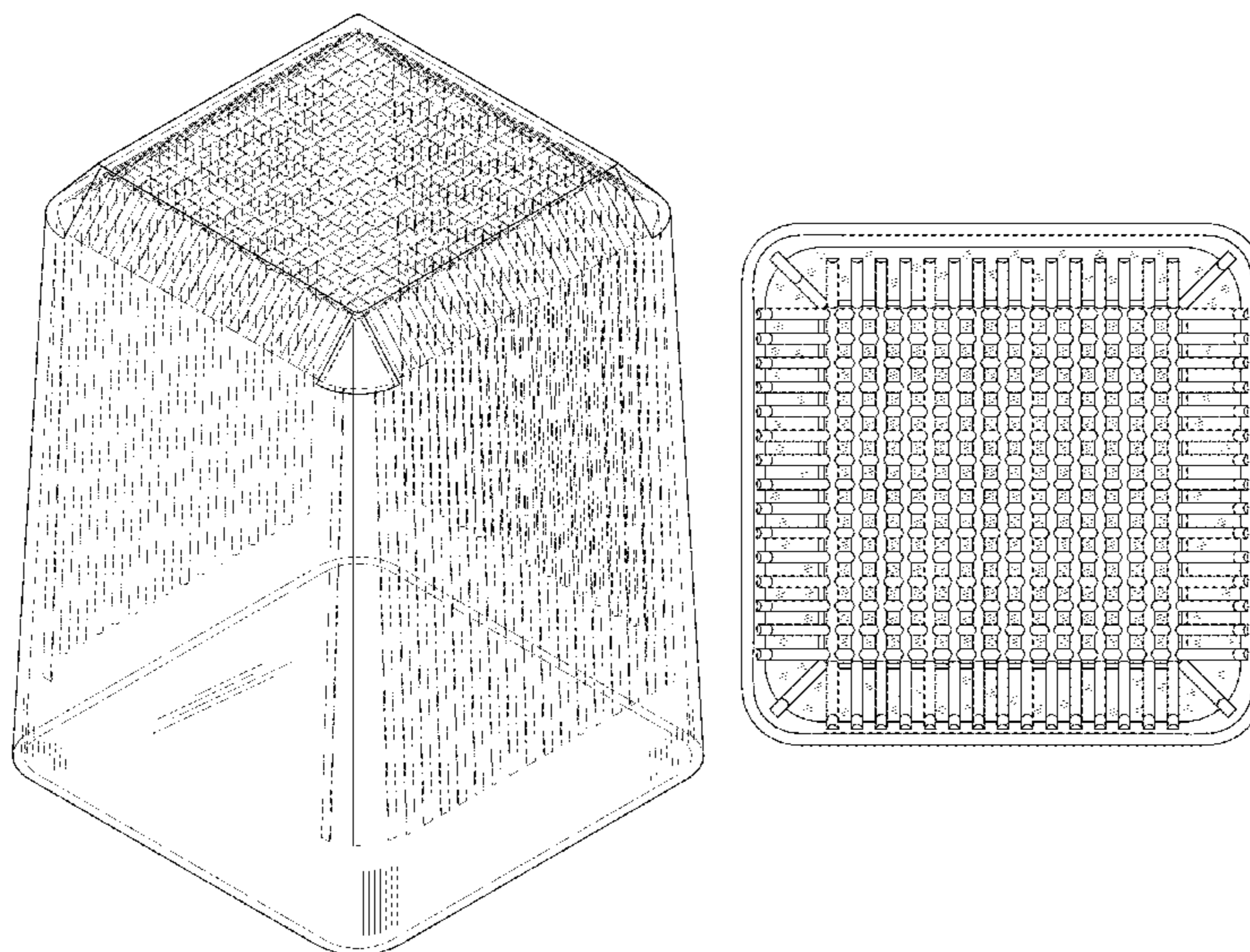
(57) **CLAIM**

The ornamental design for a control panel cover, as shown and described.

**DESCRIPTION**

FIG. 1 is a perspective view of a control panel cover showing my new design;  
FIG. 2 is a front view thereof;  
FIG. 3 is a rear view thereof;  
FIG. 4 is a left view thereof;  
FIG. 5 is a right view thereof;  
FIG. 6 is a top view thereof;  
FIG. 7 is a bottom view thereof;  
FIG. 8 is a cross sectional view taken along line 8-8 of FIG. 2; and,  
FIG. 9 is a cross sectional view taken along line 9-9 of FIG. 2.

**1 Claim, 9 Drawing Sheets**



(56)

**References Cited**

U.S. PATENT DOCUMENTS

D430,849	S	9/2000	Leschinger et al.	
D430,865	S	9/2000	Cosley et al.	
6,218,614	B1	4/2001	Kern	
6,362,419	B1	3/2002	Gallagher et al.	
6,474,358	B1	11/2002	Malkvist	
6,518,499	B1	2/2003	Kessler	
6,536,462	B1	3/2003	Laugen	
6,624,990	B1	9/2003	Lortscher	
6,749,080	B1	6/2004	White	
7,491,884	B2	2/2009	Schmidt et al.	
D637,208	S	5/2011	Zauner et al.	
8,511,336	B1	8/2013	Schumacher	
9,161,463	B2	10/2015	Takamura et al.	
9,297,186	B2	3/2016	Chen et al.	
D780,703	S *	3/2017	Bergum .....	D13/177
2007/0012473	A1	1/2007	Yapp et al.	
2008/0093098	A1	4/2008	Golbin	
2015/0122618	A1	5/2015	Amst et al.	

OTHER PUBLICATIONS

“Observer 100” Series Pedestal Alarm, SPI Septic Products, Inc., 2 pages.

\* cited by examiner



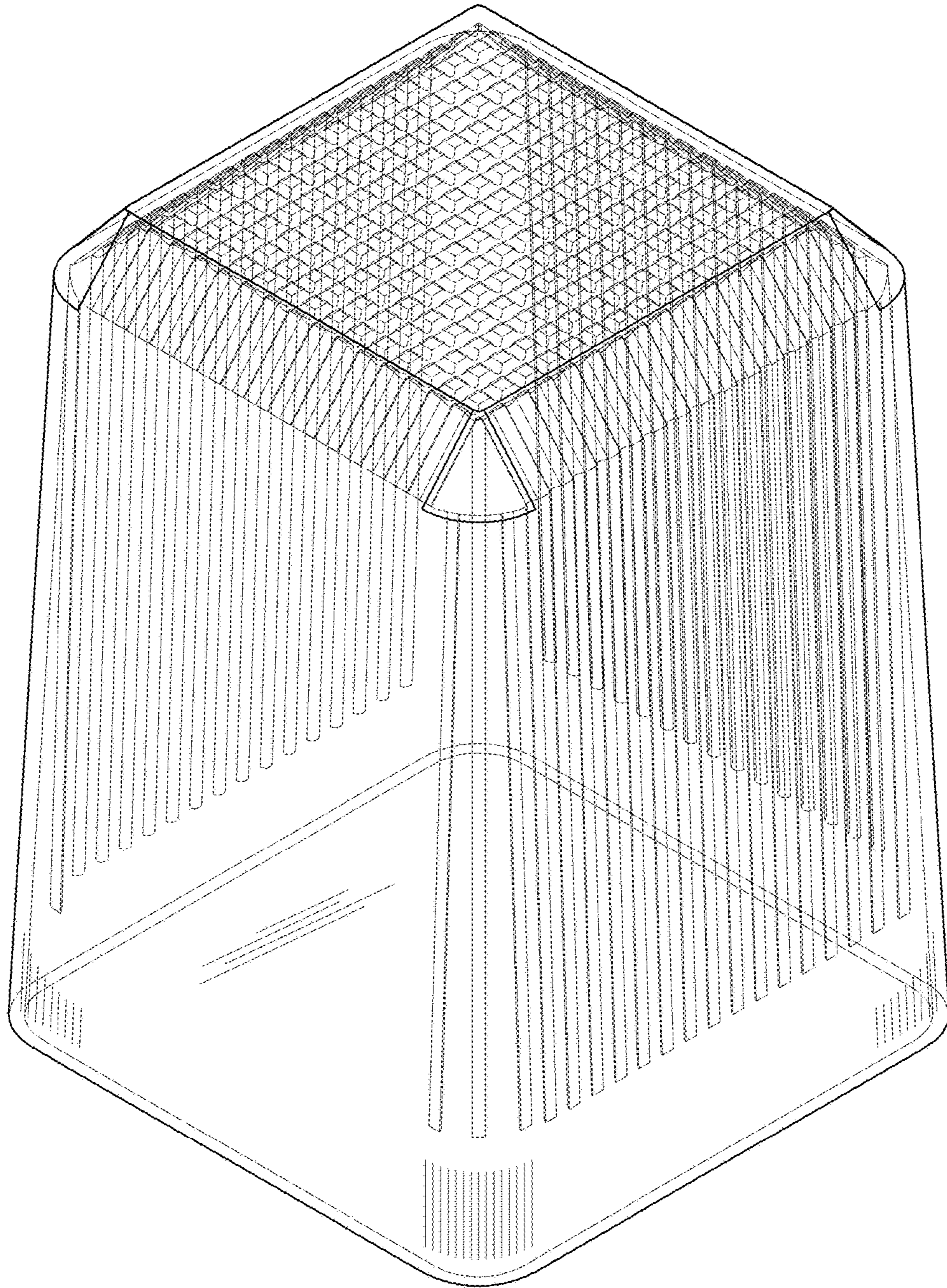


FIG. 1

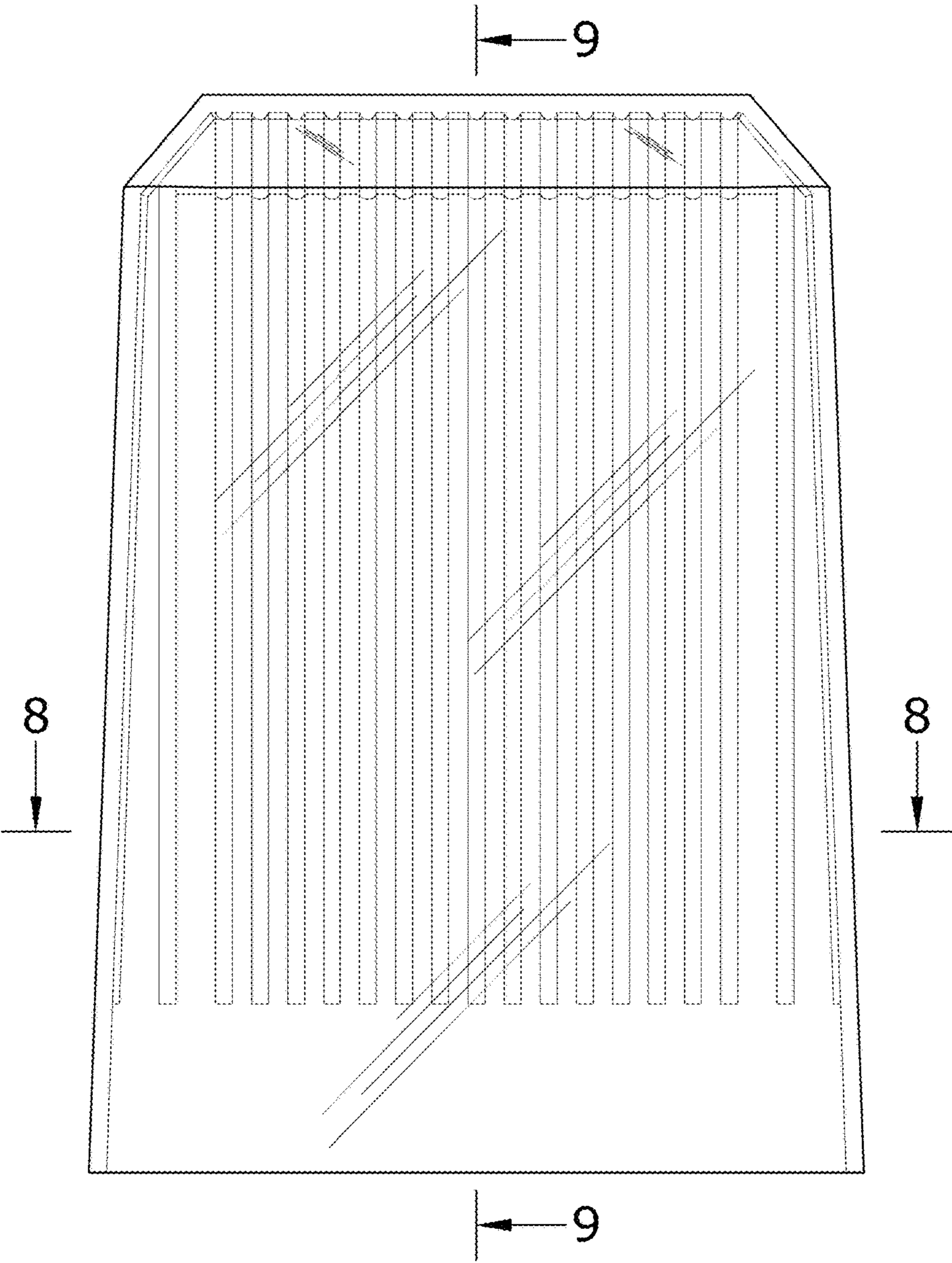


FIG. 2



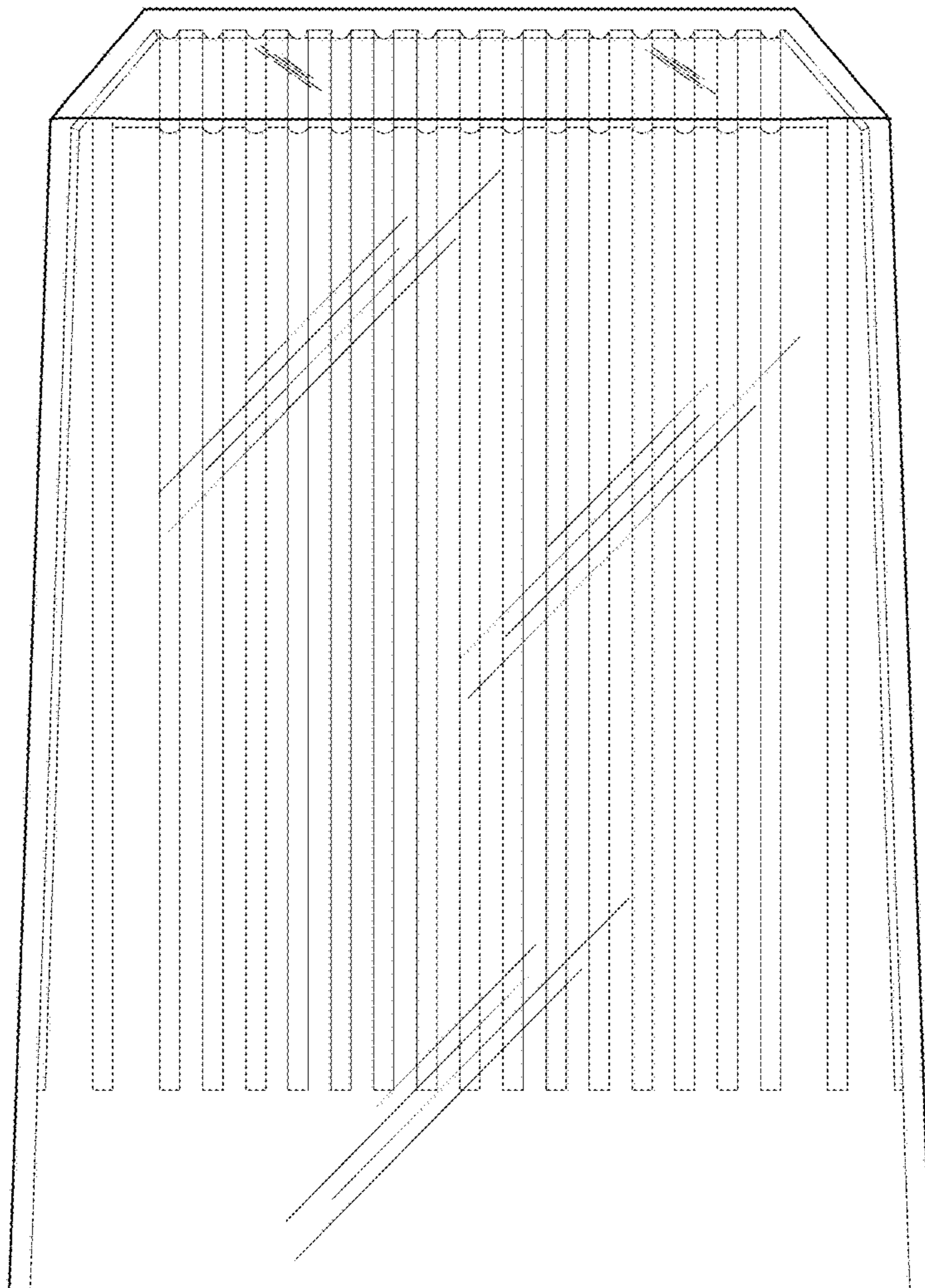


FIG. 3

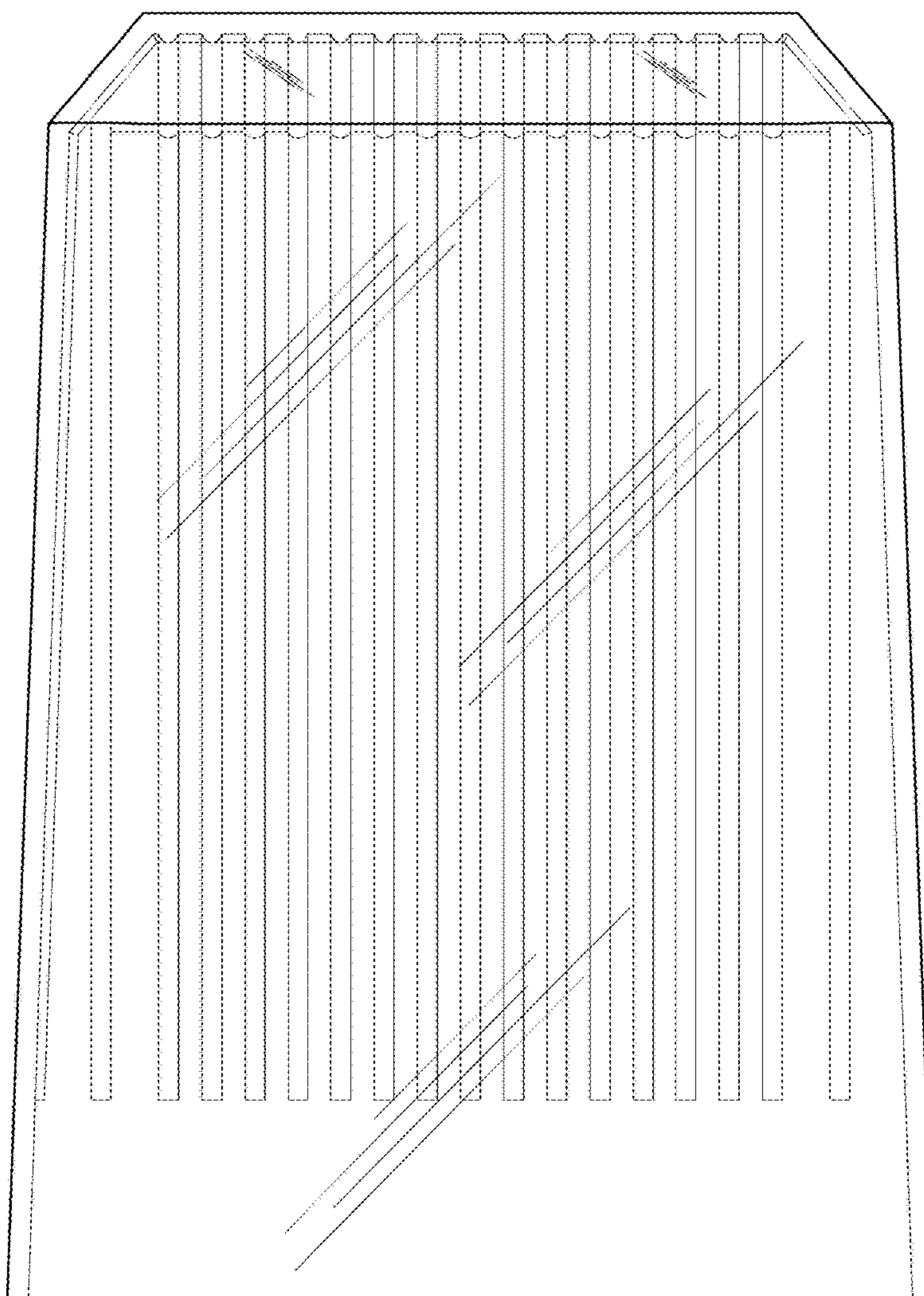


FIG. 4

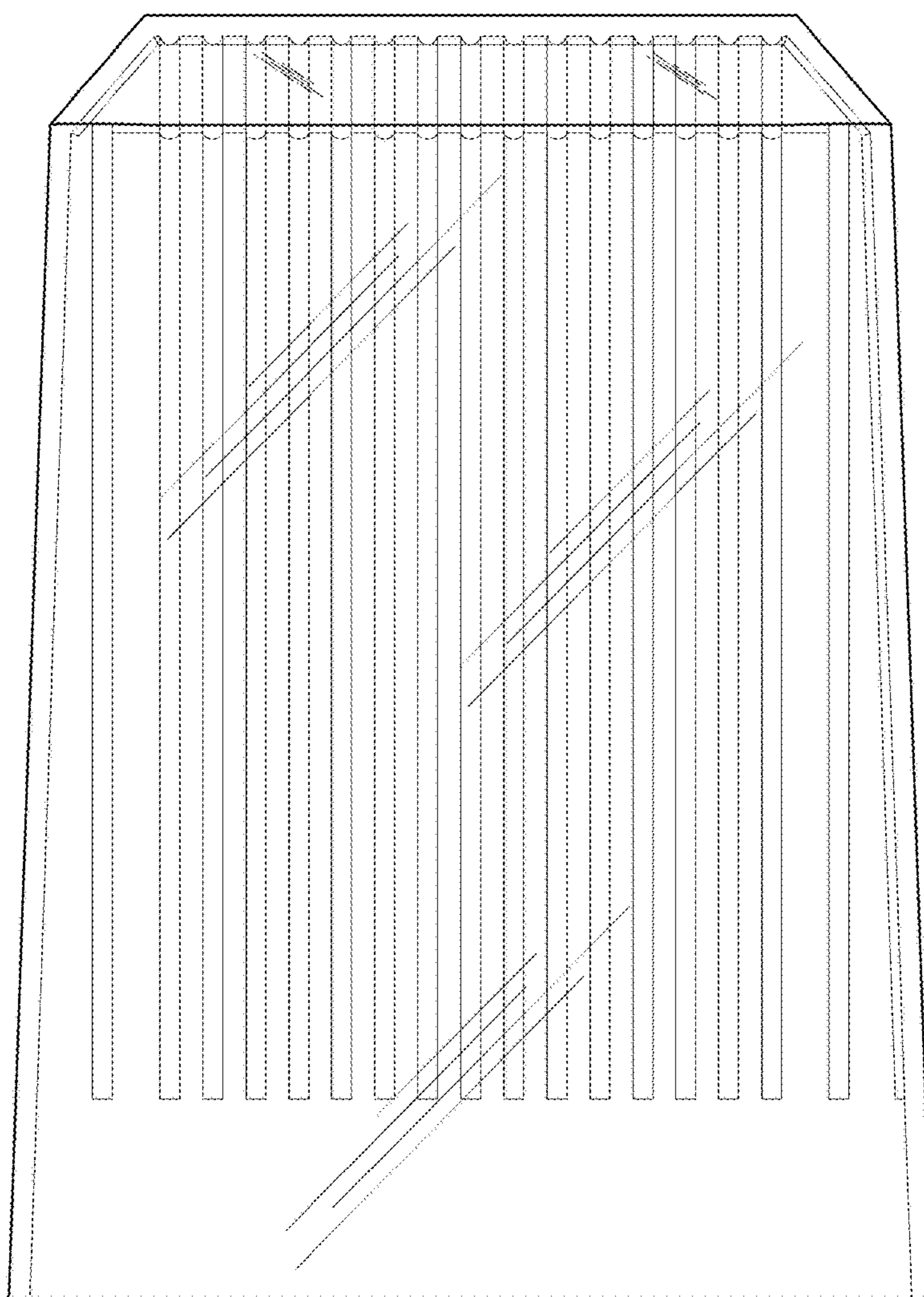


FIG. 5

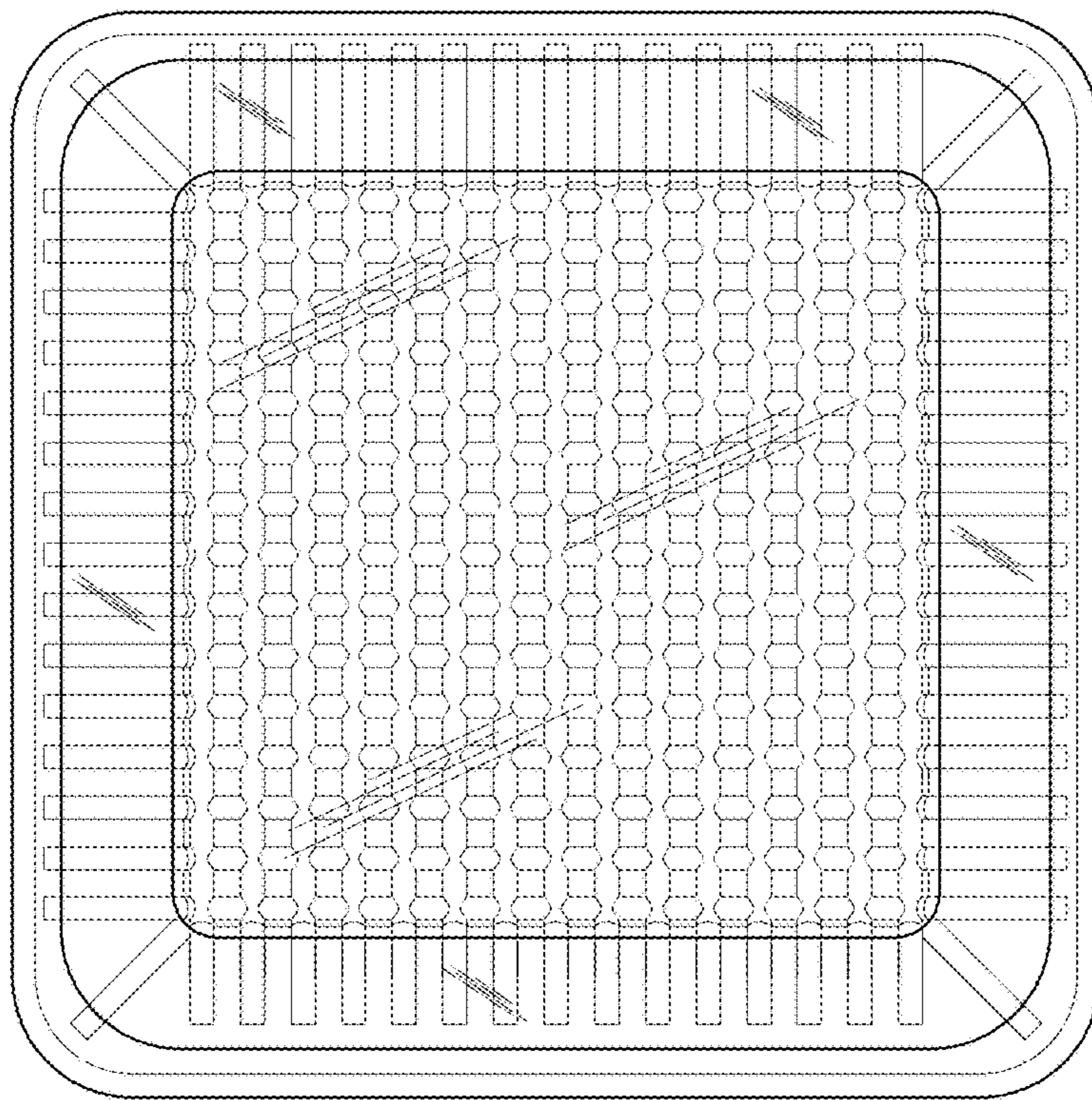


FIG. 6



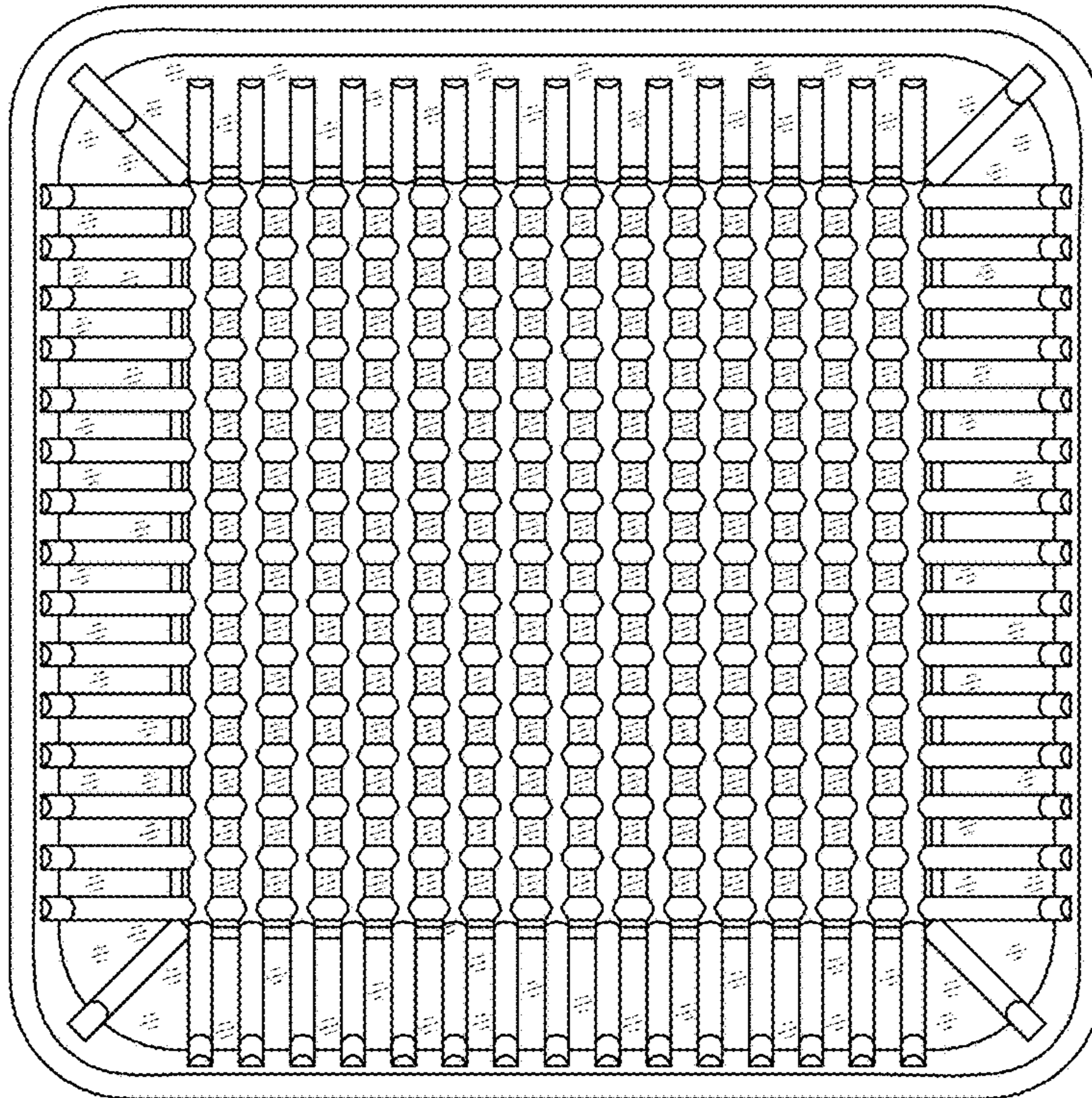


FIG. 7

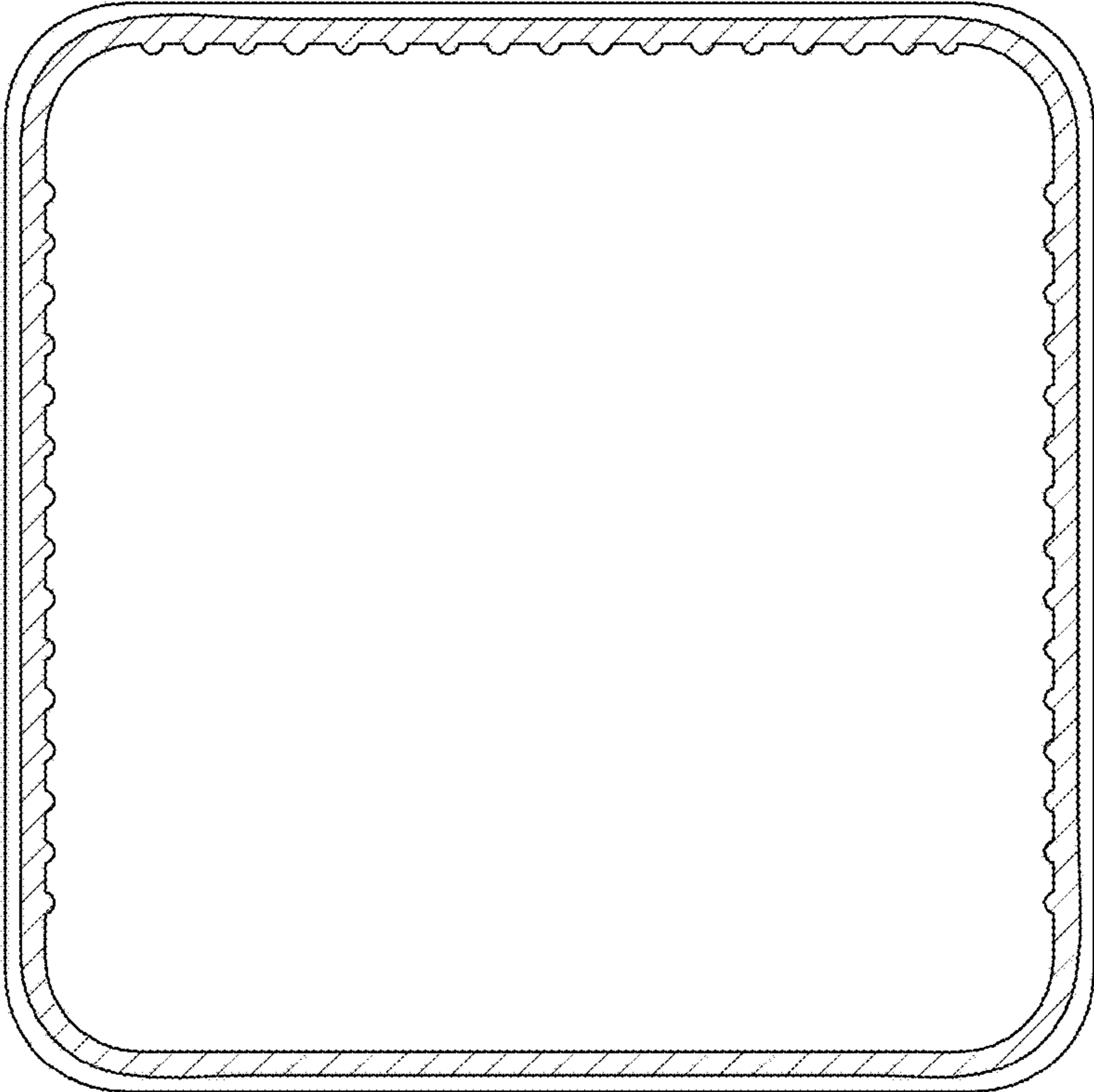


FIG. 8

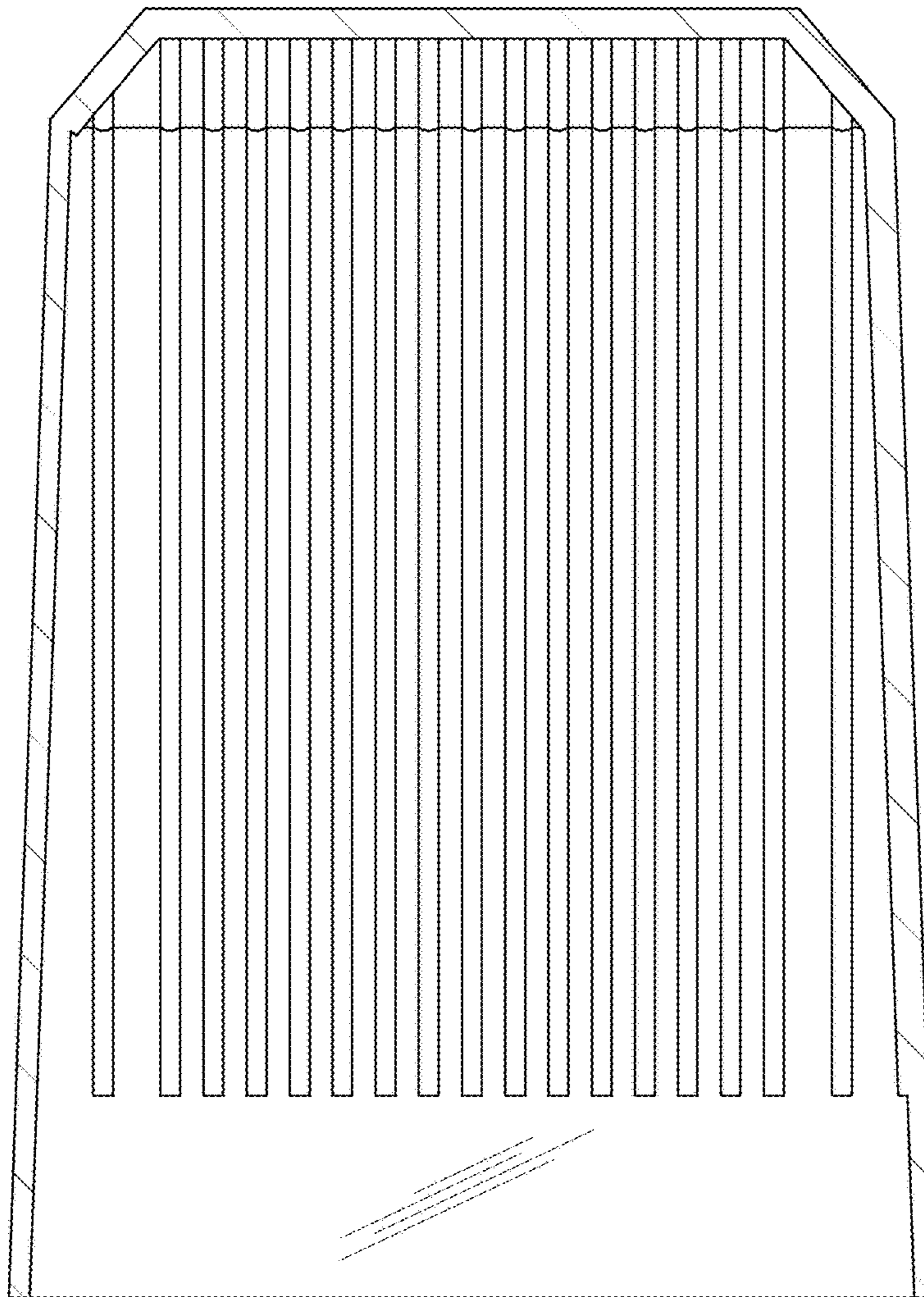


FIG. 9