



US00D803164S

(12) **United States Design Patent** (10) **Patent No.:** **US D803,164 S**
Noble (45) **Date of Patent:** **** Nov. 21, 2017**

(54) **POWER CORD CONTROLLER**
(71) Applicant: **Jack Noble**, Sedro Woolley, WA (US)
(72) Inventor: **Jack Noble**, Sedro Woolley, WA (US)
(73) Assignee: **Nifty Tools, LLC**, Sedro Woolley, WA (US)
(**) Term: **14 Years**
(21) Appl. No.: **29/496,801**
(22) Filed: **Jul. 17, 2014**
(51) **LOC (10) Cl.** **13-03**
(52) **U.S. Cl.**
USPC **D13/155**
(58) **Field of Classification Search**
USPC D13/110, 120-122, 123, 133, 137.1, D13/139.1, 139.4, 152, 154, 155, 156, D13/158, 162, 164, 173, 177, 184, 199; 174/67, 66; 439/147-149, 373, 391, 535, 439/536, 538; 220/241, 242; 361/600, 361/707, 752; D8/356
CPC H02G 3/14; H02G 3/081; H05K 5/0217; H01R 13/447
See application file for complete search history.

D285,529 S 9/1986 Huxhold et al.
D297,110 S * 8/1988 Zagorski 141/392
D297,412 S 8/1988 Allen
4,775,121 A 10/1988 Carty
4,799,641 A 1/1989 Koreski
4,878,586 A * 11/1989 Bancroft A47F 5/0807
206/702
D323,286 S 1/1992 Roetting
D336,421 S 6/1993 Grubicy et al.
D342,938 S 1/1994 Cheatham
D394,600 S * 5/1998 McCoy D8/354
D404,010 S * 1/1999 Viklund D13/155
D404,364 S * 1/1999 Viklund D13/155
D407,963 S * 4/1999 Gretz D8/356
D439,503 S * 3/2001 Paliga D8/356
D439,828 S 4/2001 Kiely et al.
6,241,200 B1 6/2001 Camporeale et al.
D463,253 S * 9/2002 Carty D8/356
6,458,104 B2 10/2002 Gautsche
D468,996 S * 1/2003 Sarkinen D8/356
D534,060 S 12/2006 Kiely
7,438,265 B2 10/2008 Urzua

(Continued)

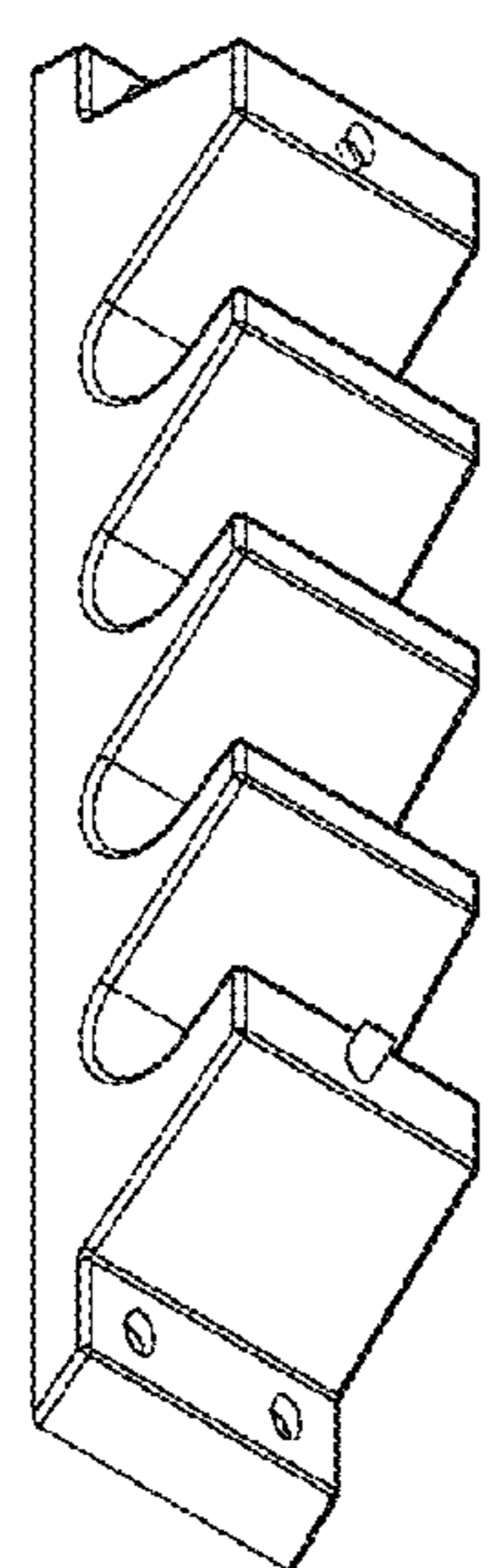
Primary Examiner — Derrick Holland
Assistant Examiner — Jennifer O King
(74) *Attorney, Agent, or Firm* — Schacht Law Office, Inc.; Dwayne Rogge

(57) **CLAIM**
The ornamental design for a power cord controller, as shown and described.

(56) **References Cited**
U.S. PATENT DOCUMENTS
254,333 A 2/1882 Kane
887,272 A 5/1908 Robinson
1,334,545 A 3/1920 Londelius, Jr.
1,472,955 A 11/1923 Behringer
D138,739 S * 9/1944 Harris D8/356
3,360,229 A * 12/1967 Beyer A47G 1/20
248/339
D228,737 S 10/1973 Mathews
D261,960 S * 11/1981 Mathews D8/356
4,431,152 A 2/1984 Reed

DESCRIPTION
FIG. 1 is a bottom isometric view of a power cord controller. FIG. 2 is a rear view thereof. FIG. 3 is a front view thereof. FIG. 4 is a right side view thereof with the opposing side view being a mirror image thereof. FIG. 5 is a top view thereof; and, FIG. 6 is a bottom view thereof.

1 Claim, 1 Drawing Sheet



(56)

References Cited

U.S. PATENT DOCUMENTS

D580,661	S	11/2008	Belokin	
D582,686	S	12/2008	Belokin	
7,521,633	B2	4/2009	Jostmeier et al.	
D612,225	S	3/2010	Forte	
D640,527	S *	6/2011	Hoek	D8/356
D666,896	S	9/2012	Pinholster, Jr. et al.	
D668,130	S *	10/2012	Pawluk	D8/356
8,840,071	B2	9/2014	Oh et al.	
D719,103	S	12/2014	Liang et al.	
D728,349	S *	5/2015	Lake	D8/356
D747,113	S	1/2016	Goodman et al.	
D755,043	S *	5/2016	Bailey	D8/394
D769,198	S *	10/2016	Sajedian	D13/155
2016/0018024	A1	1/2016	Noble	

* cited by examiner

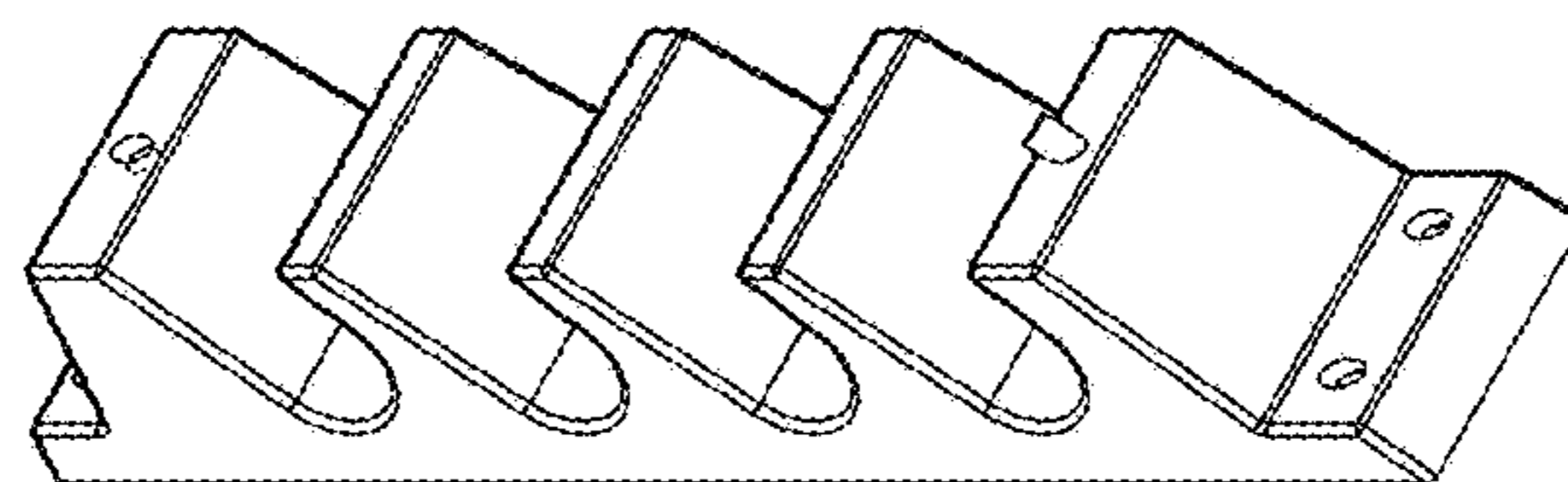


Fig. 1

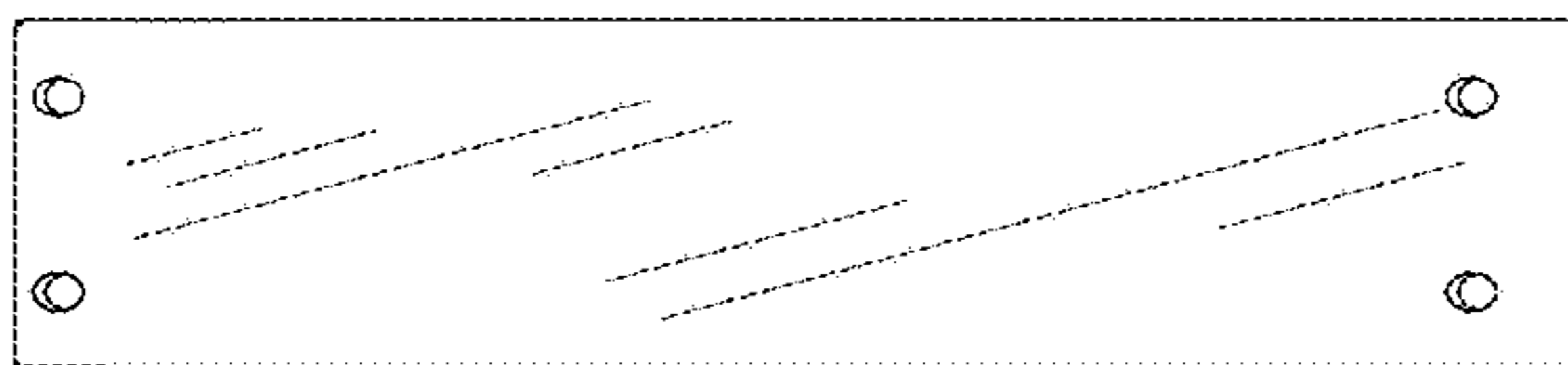


Fig. 2

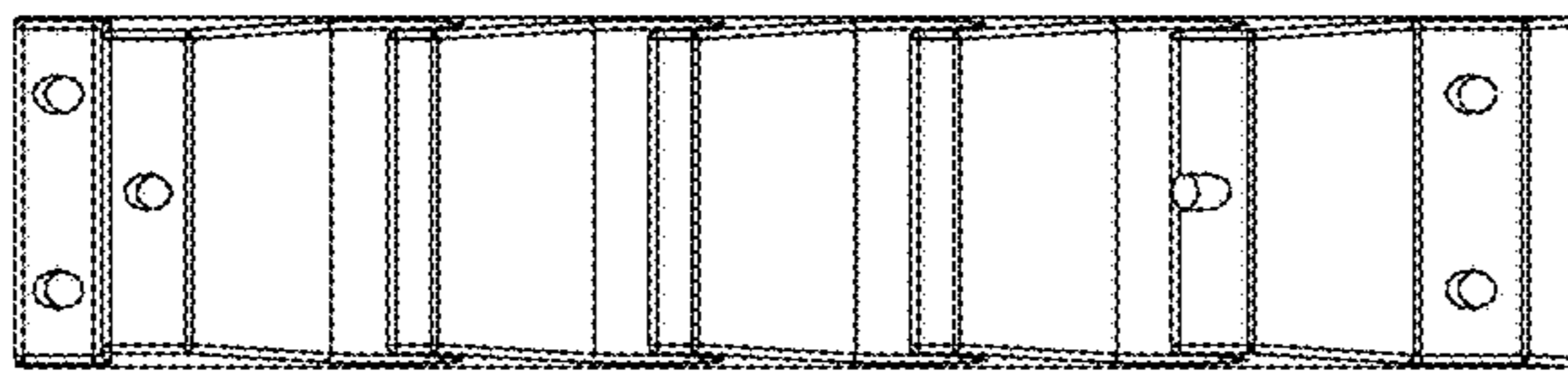


Fig. 3

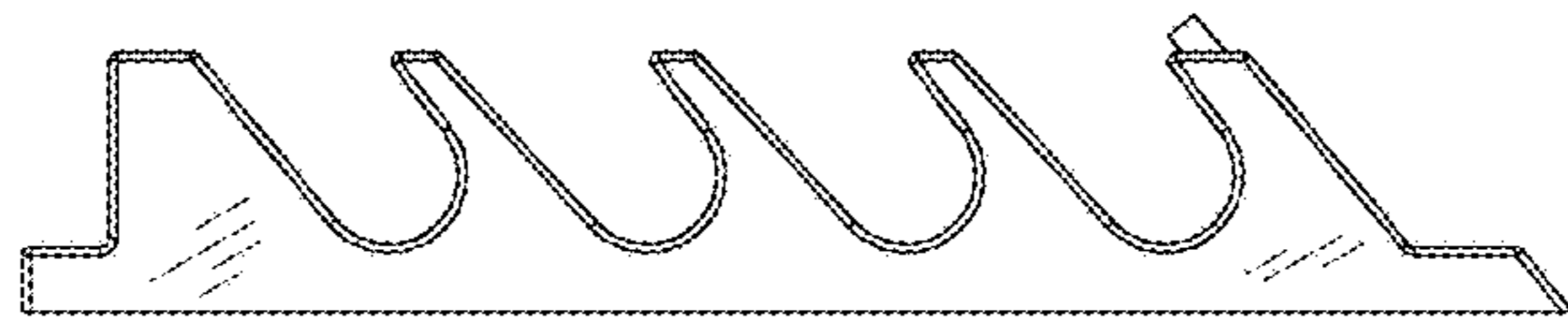


Fig. 4

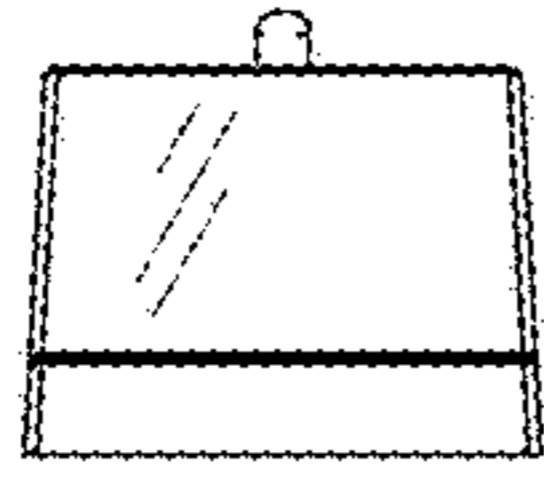


Fig. 5

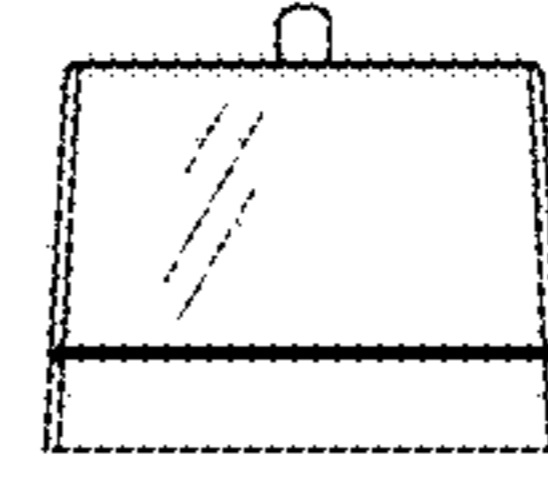


Fig. 6