



US00D803163S

(12) **United States Design Patent** (10) **Patent No.:** **US D803,163 S**
Bendlak et al. (45) **Date of Patent:** **** Nov. 21, 2017**

(54) **TIP RECEPTOR MOUNT FOR LIGHTNING PROTECTION SYSTEMS**

(71) Applicant: **ERICO INTERNATIONAL CORPORATION**, Solon, OH (US)

(72) Inventors: **Thomas Bendlak**, Macedonia, OH (US); **Matthew Flemming**, Medina, OH (US); **Daniel Pfaff**, Los Angeles, CA (US)

(73) Assignee: **ERICO INTERNATIONAL CORPORATION**, Solon, OH (US)

(**) Term: **15 Years**

(21) Appl. No.: **29/564,598**

(22) Filed: **May 13, 2016**

(51) **LOC (10) Cl.** **13-03**

(52) **U.S. Cl.**
USPC **D13/147**

(58) **Field of Classification Search**
USPC D13/123, 133, 146, 147-149, 153, 154, D13/156, 158, 183; D10/46, 75, 78, 79,
(Continued)

(56) **References Cited**

U.S. PATENT DOCUMENTS

D366,862 S * 2/1996 Lee D13/133
D434,377 S * 11/2000 Bussett D13/133
(Continued)

FOREIGN PATENT DOCUMENTS

CN 201679646 U 12/2010
CN 201805143 U 4/2011
(Continued)

OTHER PUBLICATIONS

Erico Blade Surface Receptor Assembly [online]© 2016 Pentair; retrieved from the Internet: <<http://www.erico.com/category.asp?category=R3246>>.

LM Wind Power [online home page]; retrieved from the Internet <<http://www.lmwindpower.com/products-and-services/features-and-add-ons>>.

Primary Examiner — George D Kirschbaum

Assistant Examiner — Joseph Kukella

(74) *Attorney, Agent, or Firm* — Quarles & Brady LLP

(57) **CLAIM**

The ornamental design for a tip receptor mount for lightning protection systems, as shown and described.

DESCRIPTION

FIG. 1 is a bottom, front, left isometric view of an ornamental design for a tip receptor mount for lightning protection systems;

FIG. 2 is a bottom, rear, left isometric view of the tip receptor mount of FIG. 1;

FIG. 3 is a bottom, front, right isometric view of the tip receptor mount of FIG. 1;

FIG. 4 is a bottom, rear, right isometric view of the tip receptor mount of FIG. 1;

FIG. 5 is a bottom plan view of the tip receptor mount of FIG. 1;

FIG. 6 is a top plan view of the tip receptor mount of FIG. 1;

FIG. 7 is a left side elevational view of the tip receptor mount of FIG. 1;

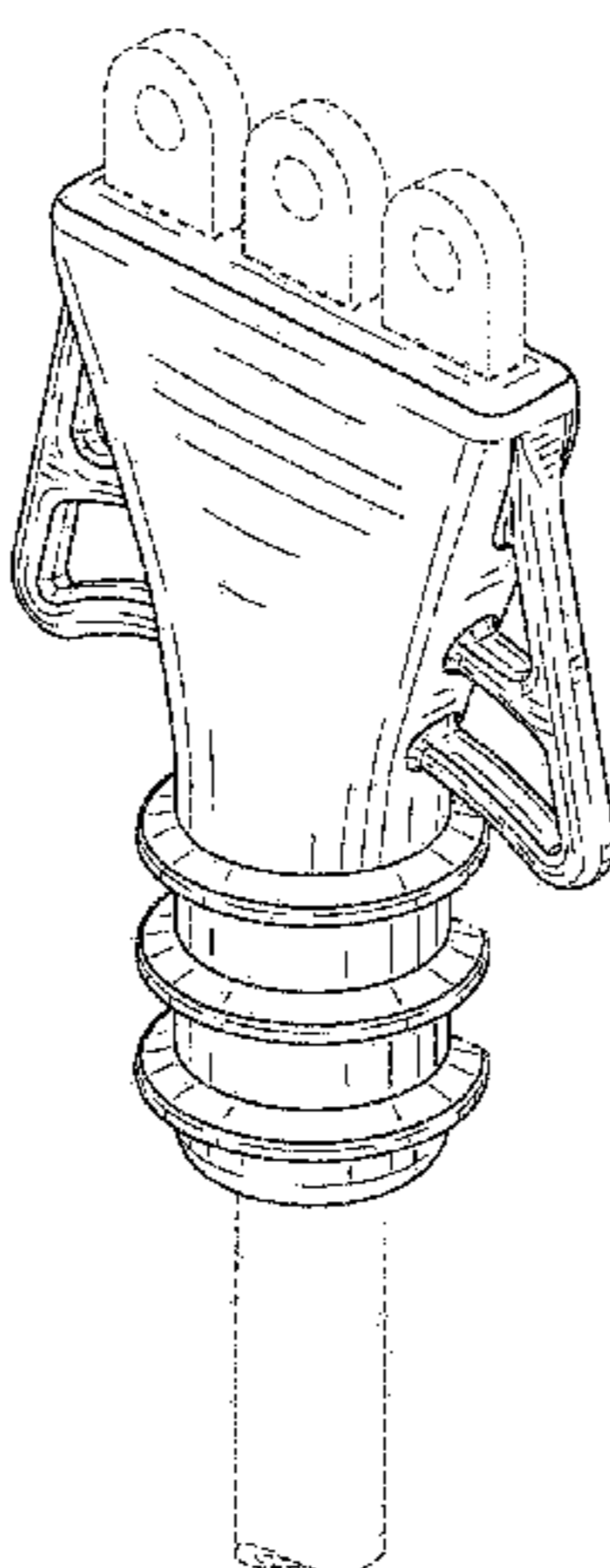
FIG. 8 is a right side elevational view of the tip receptor mount of FIG. 1;

FIG. 9 is a front elevational view of the tip receptor mount of FIG. 1; and,

FIG. 10 is a rear elevational view of the tip receptor mount of FIG. 1.

The ornamental design that is claimed is shown in solid lines in the drawings. The broken lines in the drawings are for illustrative purposes only and form no part of the claimed design. Any dash-dash broken lines in the drawings are included to illustrate unclaimed surfaces or environment of the claimed design. Any dash-dot-dash broken lines in the drawings are included to define unclaimed boundaries of the claimed design.

1 Claim, 4 Drawing Sheets



(58) **Field of Classification Search**

USPC D10/80, 103, 104.1, 106.1–106.9, 116.1,
 D10/118, 118.2, 119.1, 121, 125, 126,
 D10/132; D14/159; D26/24, 51, 61, 63,
 D26/65, 72, 80
 CPC G08B 17/06; G08B 17/10; G08B 17/103;
 G08B 17/107; G08B 21/12; G08B 21/22;
 G08B 15/00; H04M 11/02; H04M
 11/025; F03D 80/30

See application file for complete search history.

(56) **References Cited**

U.S. PATENT DOCUMENTS

6,457,943	B1	10/2002	Olsen et al.	
D478,048	S *	8/2003	Garver	D13/147
D492,652	S *	7/2004	McCoy	D13/147
6,979,179	B2	12/2005	Larsen	
7,040,864	B2	5/2006	Johansen et al.	
D590,346	S *	4/2009	Wu	D13/147
7,651,320	B2	1/2010	Hansen	
D612,336	S *	3/2010	Bodwell	D13/154
7,766,620	B2	8/2010	Stam et al.	
7,883,321	B2	2/2011	Bertelsen	
7,896,616	B2	3/2011	Livingston et al.	
7,942,640	B2	5/2011	Hiremath et al.	
8,133,031	B2	3/2012	Arinaga et al.	
D658,130	S *	4/2012	Bodwell	D13/154
8,177,509	B2	5/2012	Hansen	
8,182,227	B2	5/2012	Jacobsen et al.	
8,191,255	B2	6/2012	Kristensen et al.	
D677,627	S *	3/2013	Dobler	D13/133
8,430,631	B2	4/2013	Olsen	
8,517,681	B2	8/2013	Naka et al.	
8,562,296	B2	10/2013	Arocena De La Rua et al.	
8,632,306	B2	1/2014	Olsen	
8,727,723	B2	5/2014	Flemming et al.	

8,734,110	B2	5/2014	Kuroiwa et al.	
D708,142	S *	7/2014	Luther	D13/146
8,888,454	B2	11/2014	Hansen	
8,896,980	B2	11/2014	Kristensen et al.	
D741,803	S *	10/2015	Davidson, Jr.	D13/133
D741,806	S *	10/2015	Davidson, Jr.	D13/133
9,169,826	B2	10/2015	Muto	
D775,590	S *	1/2017	Smith	D13/147
D777,110	S *	1/2017	Ferretti	D13/146
2007/0081900	A1	4/2007	Nies	
2009/0196751	A1	8/2009	Jacobsen et al.	
2012/0020791	A1	1/2012	Flemming et al.	
2014/0112787	A1	4/2014	Bracht et al.	
2014/0118177	A1	5/2014	Appleton	
2014/0271190	A1	9/2014	Hansen	
2014/0301857	A1	10/2014	Richers et al.	
2015/0167642	A1	6/2015	Hansen	
2015/0292487	A1	10/2015	Ohlerich	
2015/0308415	A1	10/2015	Rajasingam et al.	
2015/0377217	A1	12/2015	Sandercock et al.	
2016/0090963	A1	3/2016	Hoffmann et al.	
2016/0090968	A1	3/2016	Hansen	

FOREIGN PATENT DOCUMENTS

CN	202645840	U	1/2013
CN	203098162	U	7/2013
CN	203925891	U	11/2014
EP	2930355	A1	10/2015
JP	2015132245	A	7/2015
JP	2015161283	A	9/2015
WO	2011080177	A1	7/2011
WO	2012076168	A2	6/2012
WO	2014200333	A1	12/2014
WO	2015055213	A1	4/2015
WO	2015055214	A1	4/2015
WO	2015055215	A1	4/2015
WO	2015124365	A1	8/2015

* cited by examiner

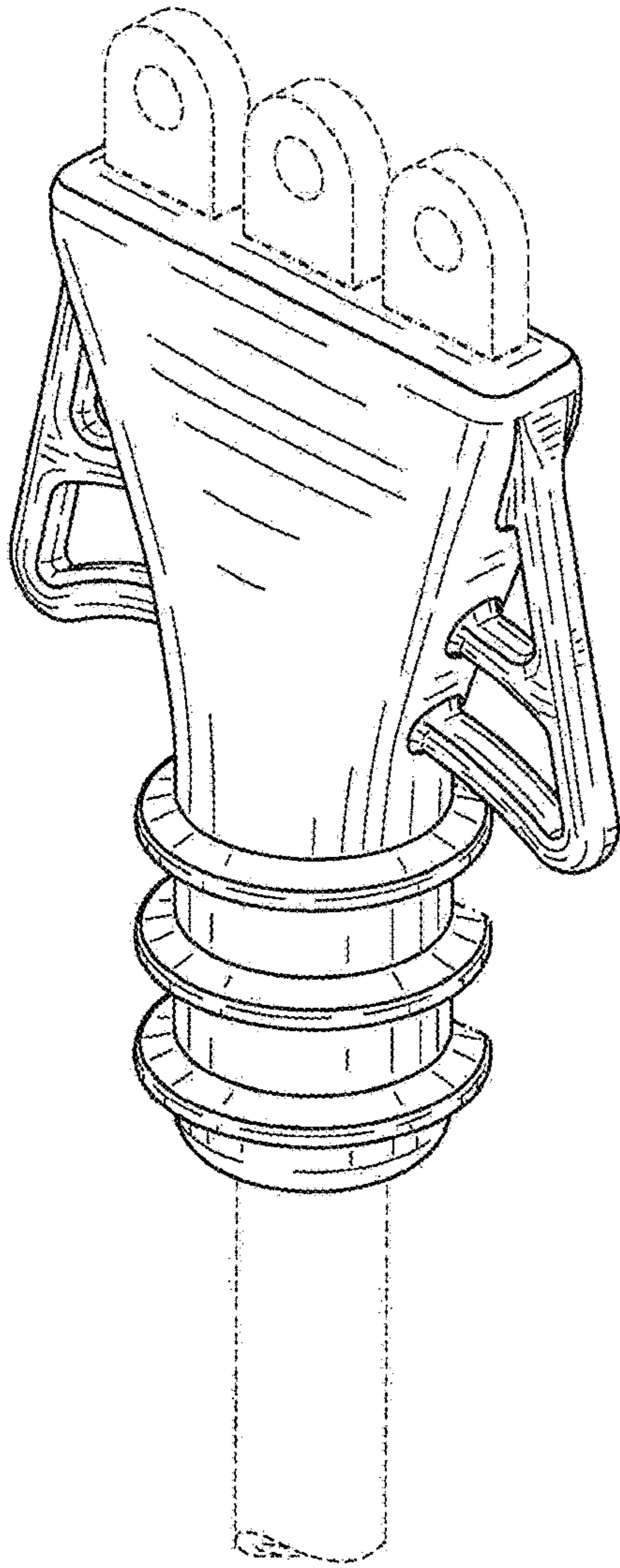


FIG. 1

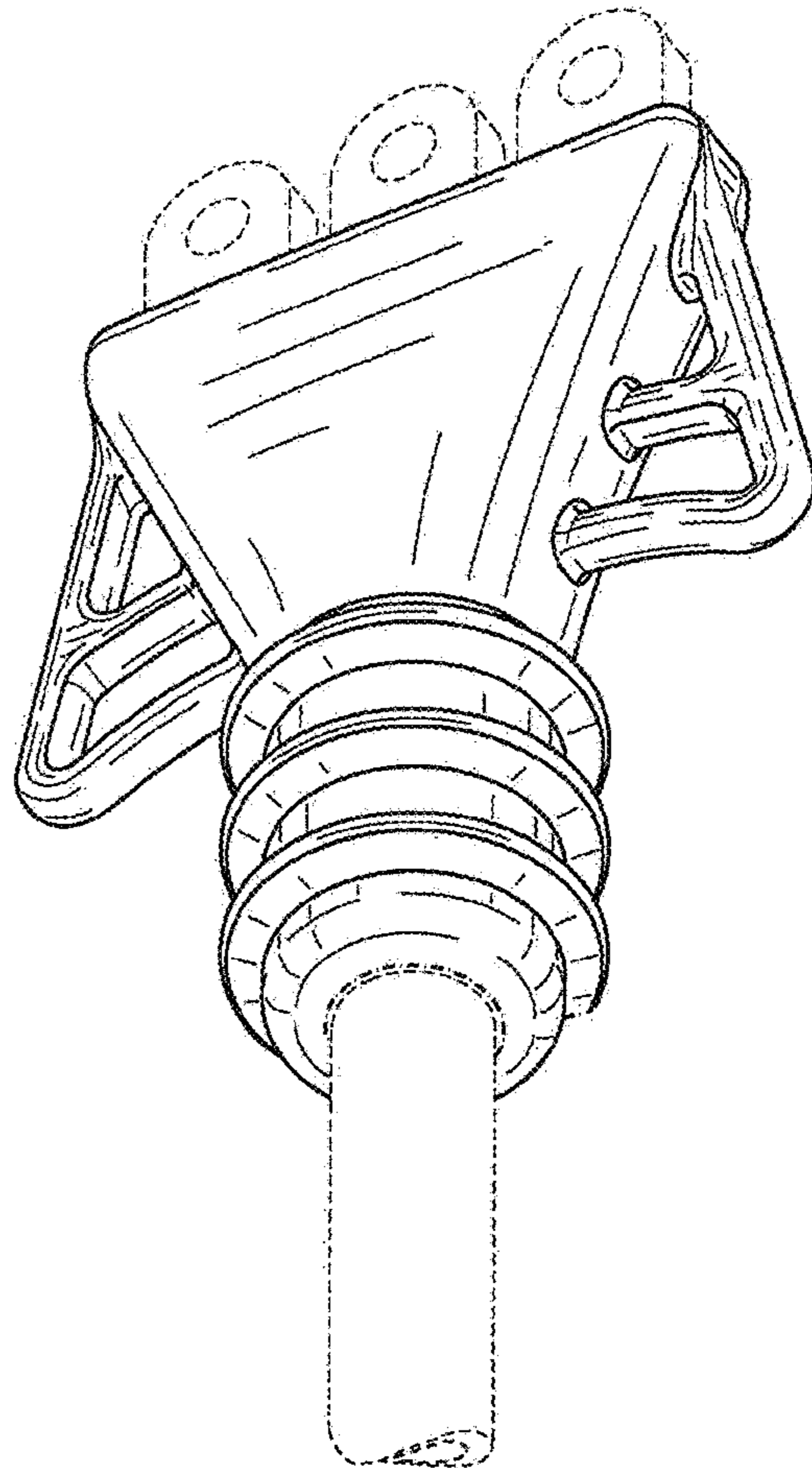


FIG. 2

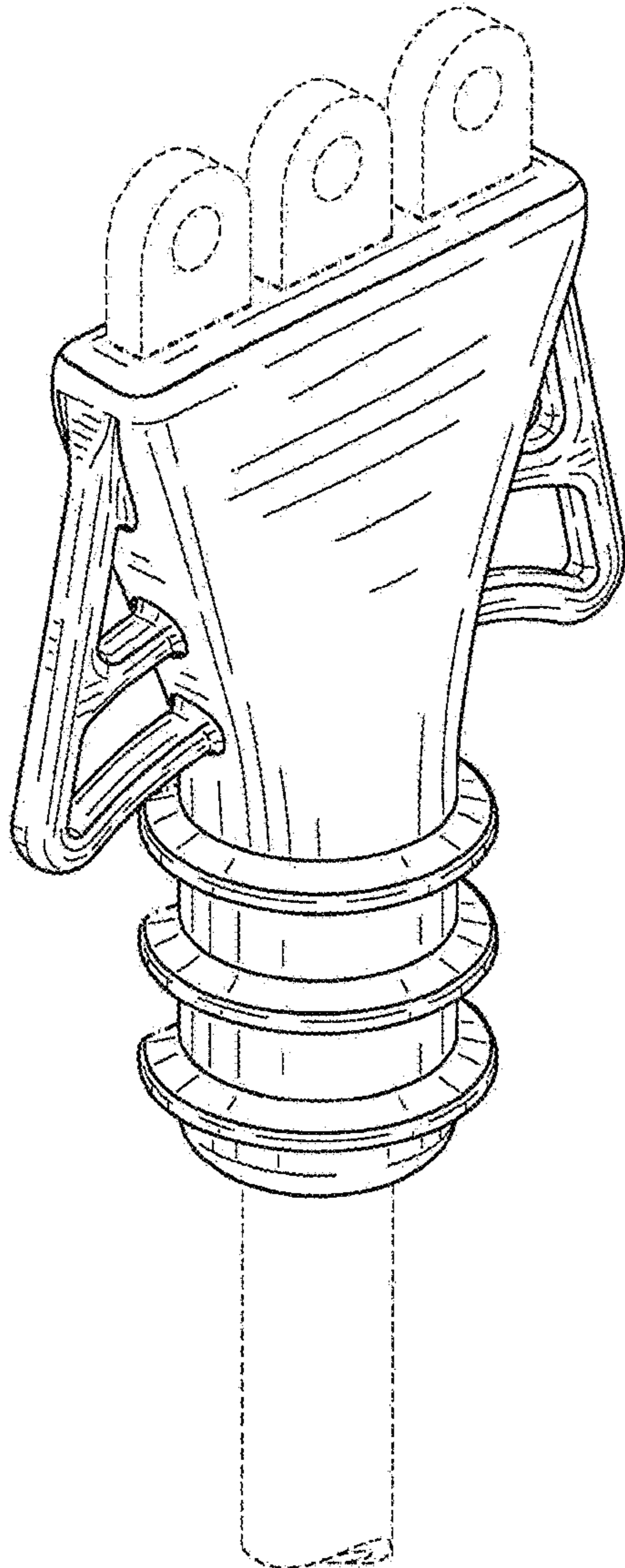


FIG. 3

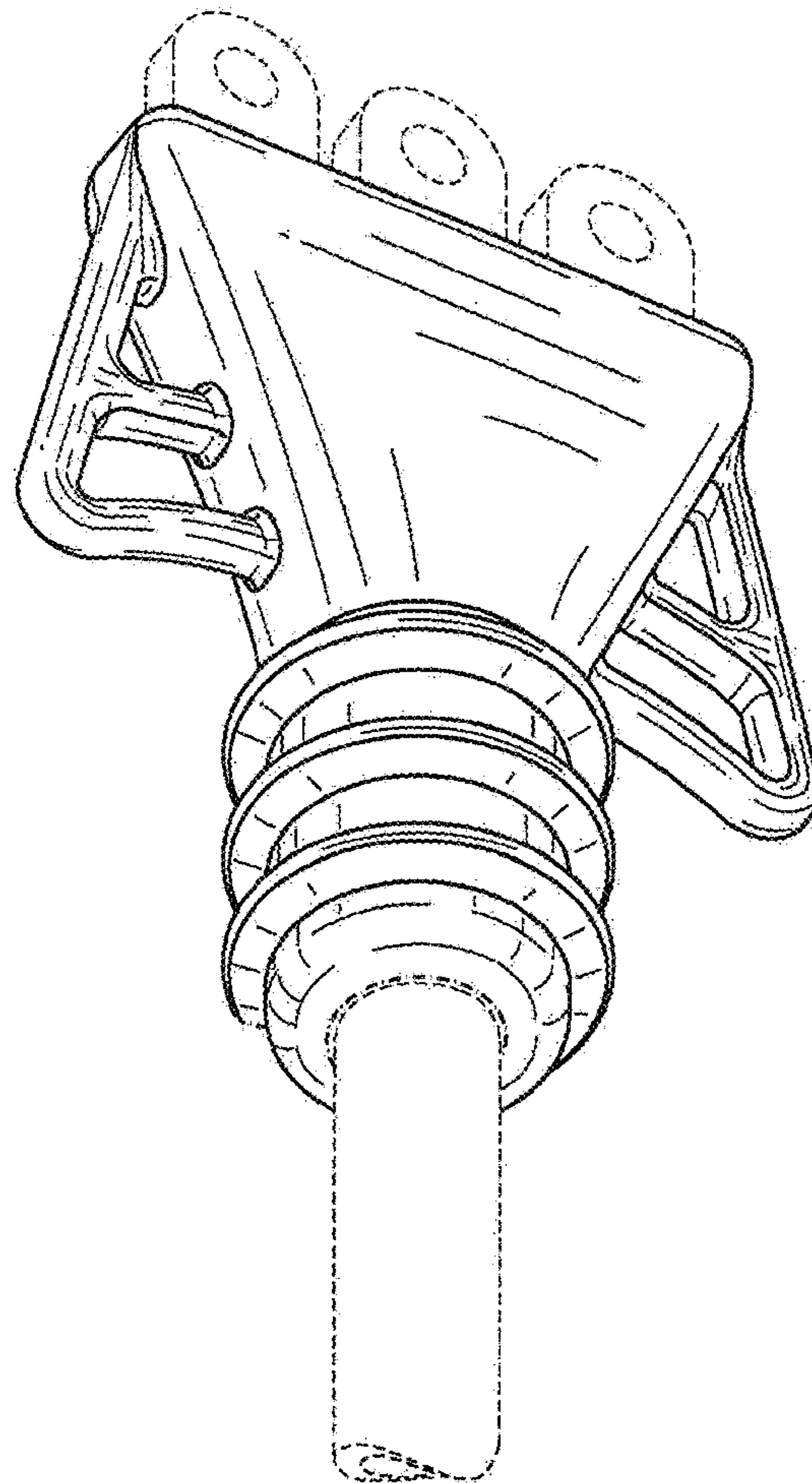


FIG. 4

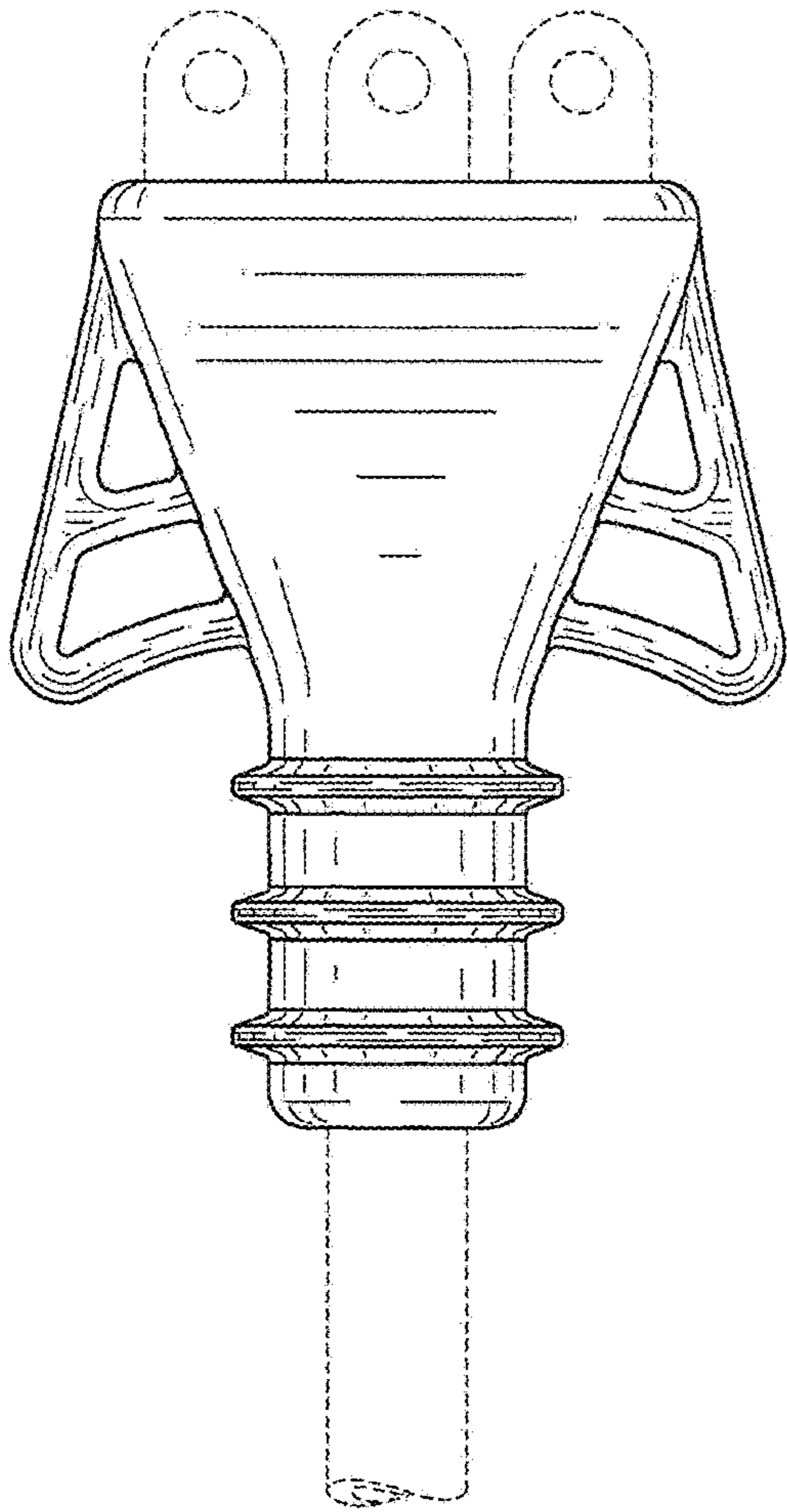


FIG. 5

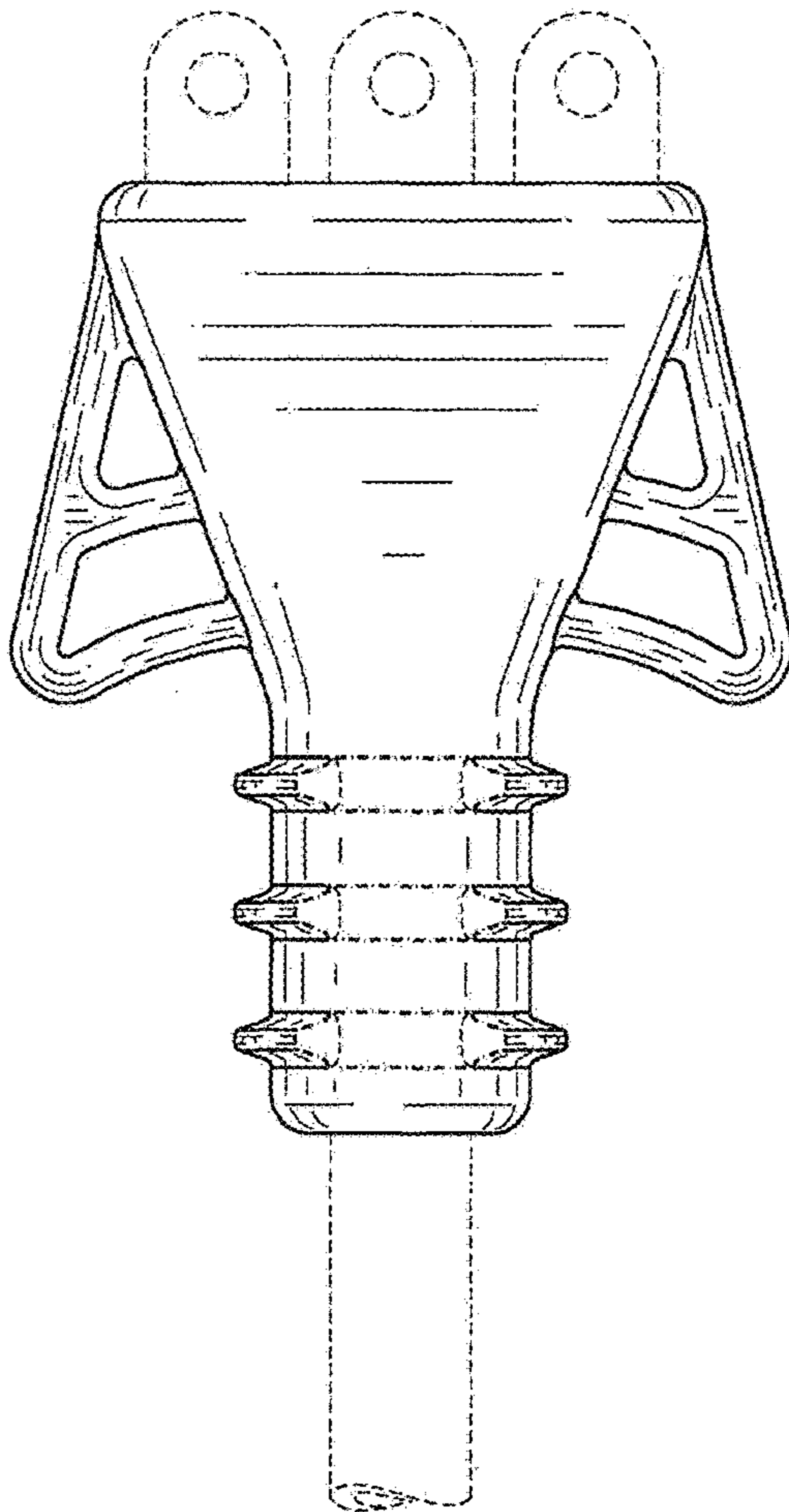


FIG. 6

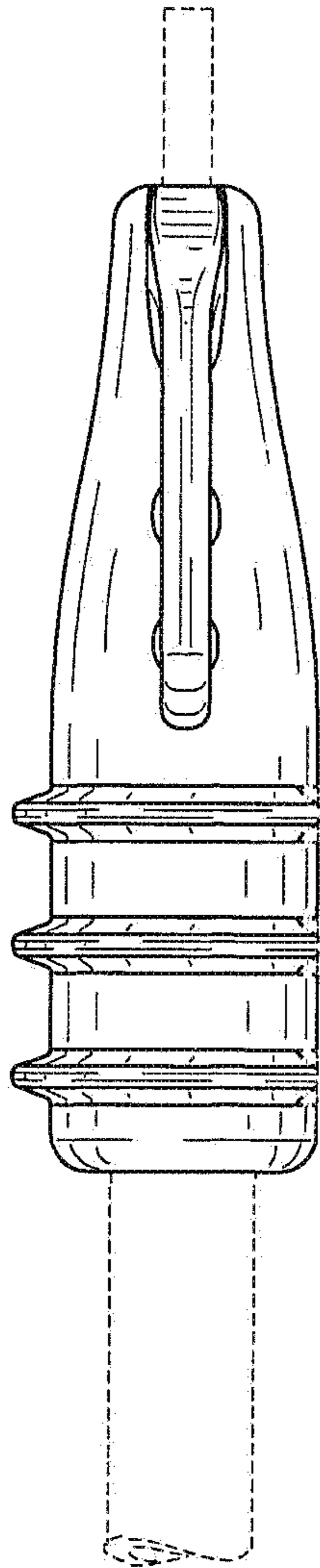


FIG. 7

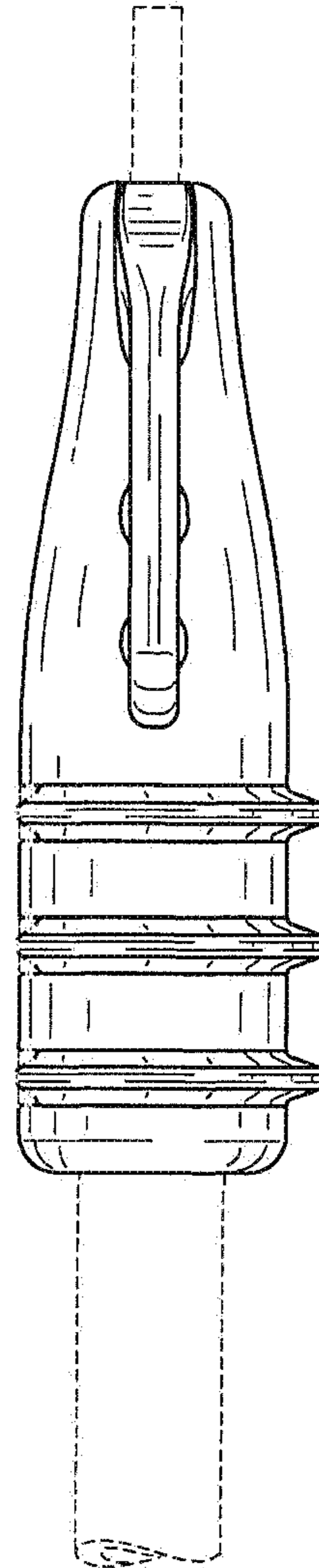


FIG. 8

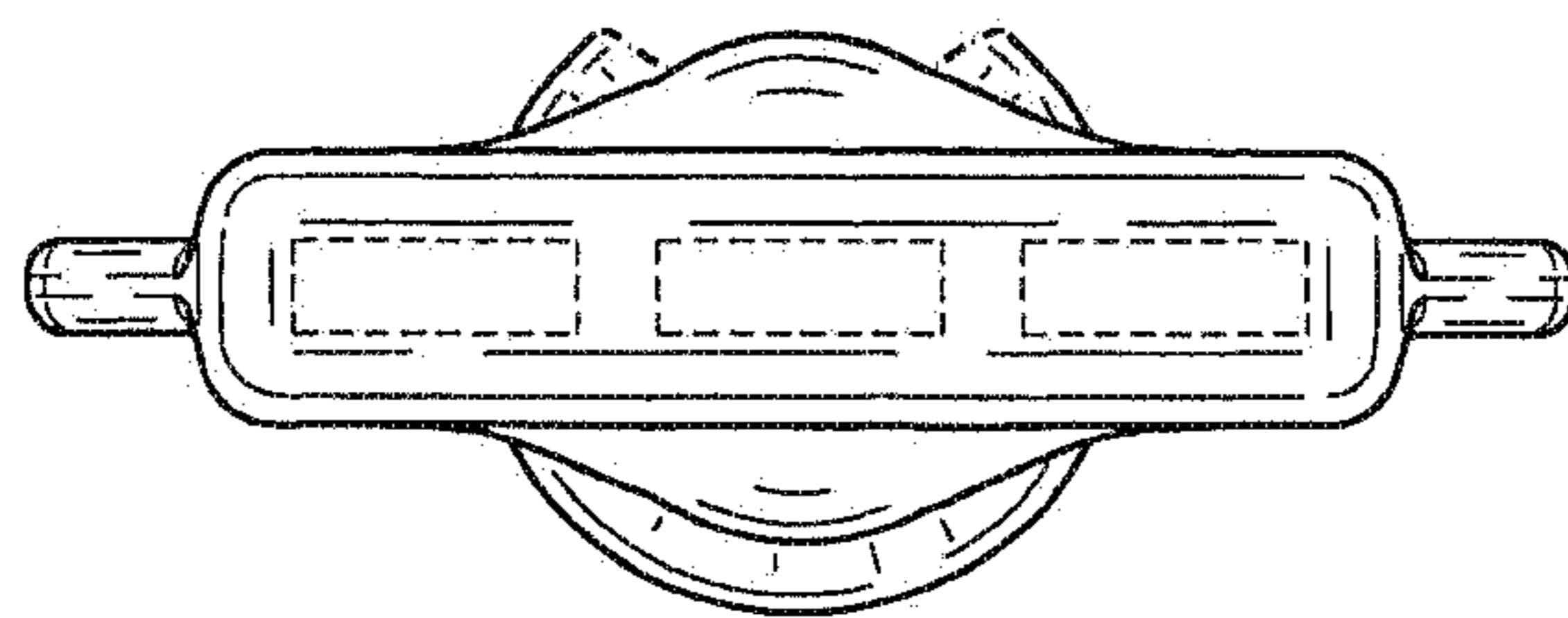


FIG. 9

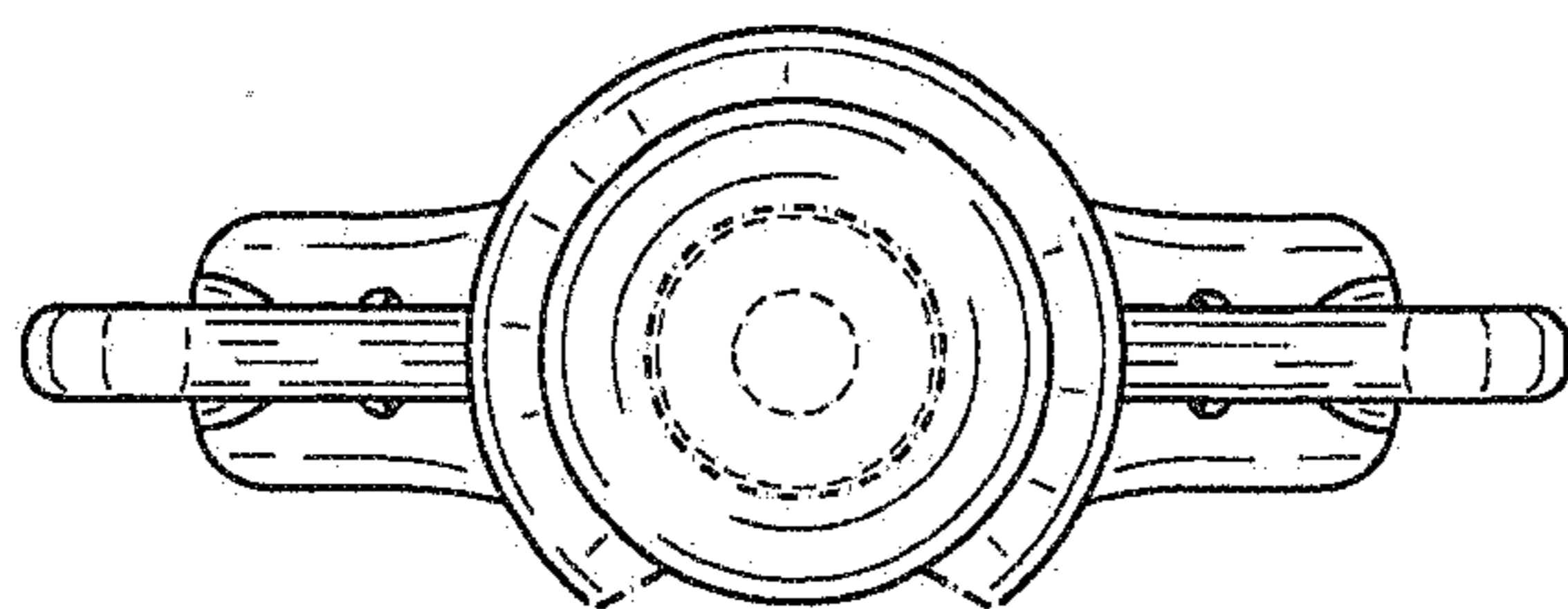


FIG. 10