



US00D803162S

(12) **United States Design Patent**  
**Li et al.**

(10) **Patent No.:** **US D803,162 S**

(45) **Date of Patent:** **\*\* \*Nov. 21, 2017**

(54) **CONNECTOR HOUSING**

(71) Applicant: **Molex, LLC**, Lisle, IL (US)

(72) Inventors: **Dixon Li**, Shanghai (CN); **Anson Yin**, Shanghai (CN)

(73) Assignee: **Molex, LLC**, Lisle, IL (US)

(\*) Notice: This patent is subject to a terminal disclaimer.

(\*\*) Term: **15 Years**

(21) Appl. No.: **29/563,128**

(22) Filed: **May 2, 2016**

(51) **LOC (10) Cl.** ..... **13-03**

(52) **U.S. Cl.**  
USPC ..... **D13/147**

(58) **Field of Classification Search**  
USPC ..... D13/133, 146, 147, 154, 155, 156, 184, D13/199

(Continued)

(56) **References Cited**

**U.S. PATENT DOCUMENTS**

D208,551 S \* 9/1967 Geis, Jr. .... D13/133  
D251,906 S \* 5/1979 Frantz ..... D13/147

(Continued)

**FOREIGN PATENT DOCUMENTS**

WO 2015/112975 A1 7/2015

*Primary Examiner* — Daniel Bui

(74) *Attorney, Agent, or Firm* — Banner & Witcoff, Ltd.

(57) **CLAIM**

The ornamental design for a connector housing, as shown and described.

**DESCRIPTION**

FIG. 1 is a front perspective view of a connector housing showing a first embodiment of our new design;  
FIG. 2 is a right side view thereof;  
FIG. 3 is a left side view thereof;

FIG. 4 is a front view thereof;  
FIG. 5 is a rear view thereof;  
FIG. 6 is a top view thereof;  
FIG. 7 is a bottom view thereof;  
FIG. 8 is a rear perspective view of a connector housing showing a second embodiment of our new design;  
FIG. 9 is a right side view thereof;  
FIG. 10 is a left side view thereof;  
FIG. 11 is a front view thereof;  
FIG. 12 is a rear view thereof;  
FIG. 13 is a top view thereof;  
FIG. 14 is a bottom view thereof;  
FIG. 15 is a rear perspective view of a connector housing showing a third embodiment of our new design;  
FIG. 16 is a right side view thereof;  
FIG. 17 is a left side view thereof;  
FIG. 18 is a front view thereof;  
FIG. 19 is a rear view thereof;  
FIG. 20 is a top view thereof;  
FIG. 21 is a bottom view thereof;  
FIG. 22 is a rear perspective view of a connector housing showing a fourth embodiment of our new design;  
FIG. 23 is a right side view thereof;  
FIG. 24 is a left side view thereof;  
FIG. 25 is a front view thereof;  
FIG. 26 is a rear view thereof;  
FIG. 27 is a top view thereof;  
FIG. 28 is a bottom view thereof;  
FIG. 29 is a rear perspective view of a connector housing showing a fifth embodiment of our new design;  
FIG. 30 is a right side view thereof;  
FIG. 31 is a left side view thereof;  
FIG. 32 is a front view thereof;  
FIG. 33 is a rear view thereof;  
FIG. 34 is a top view thereof;  
FIG. 35 is a bottom view thereof;  
FIG. 36 is a rear perspective view of a connector housing showing a sixth embodiment of our new design;  
FIG. 37 is a right side view thereof;  
FIG. 38 is a left side view thereof;  
FIG. 39 is a front view thereof;  
FIG. 40 is a rear view thereof;  
FIG. 41 is a top view thereof;  
FIG. 42 is a bottom view thereof;  
FIG. 43 is a rear perspective view of a connector housing showing a seventh embodiment of our new design;

(Continued)

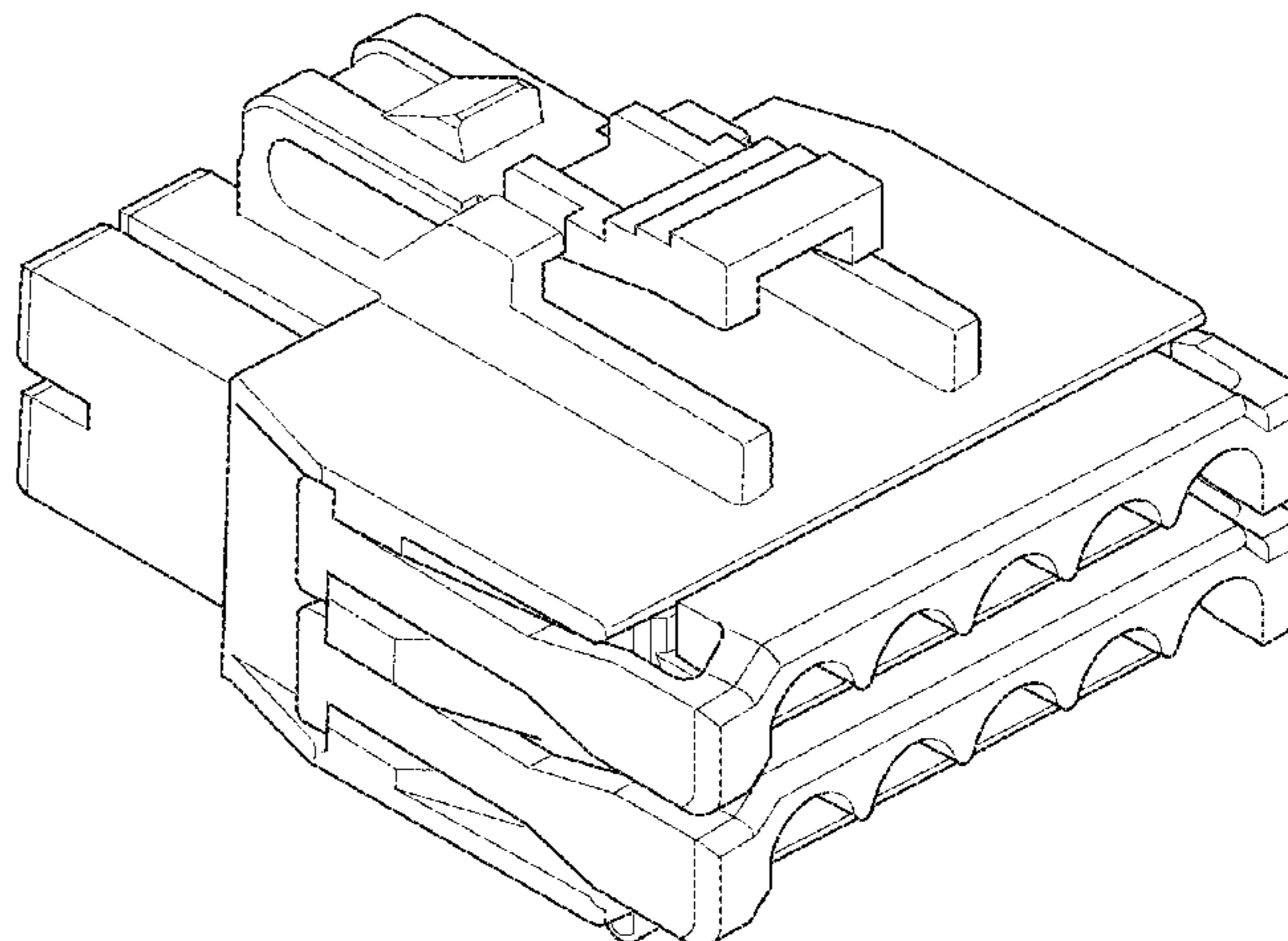
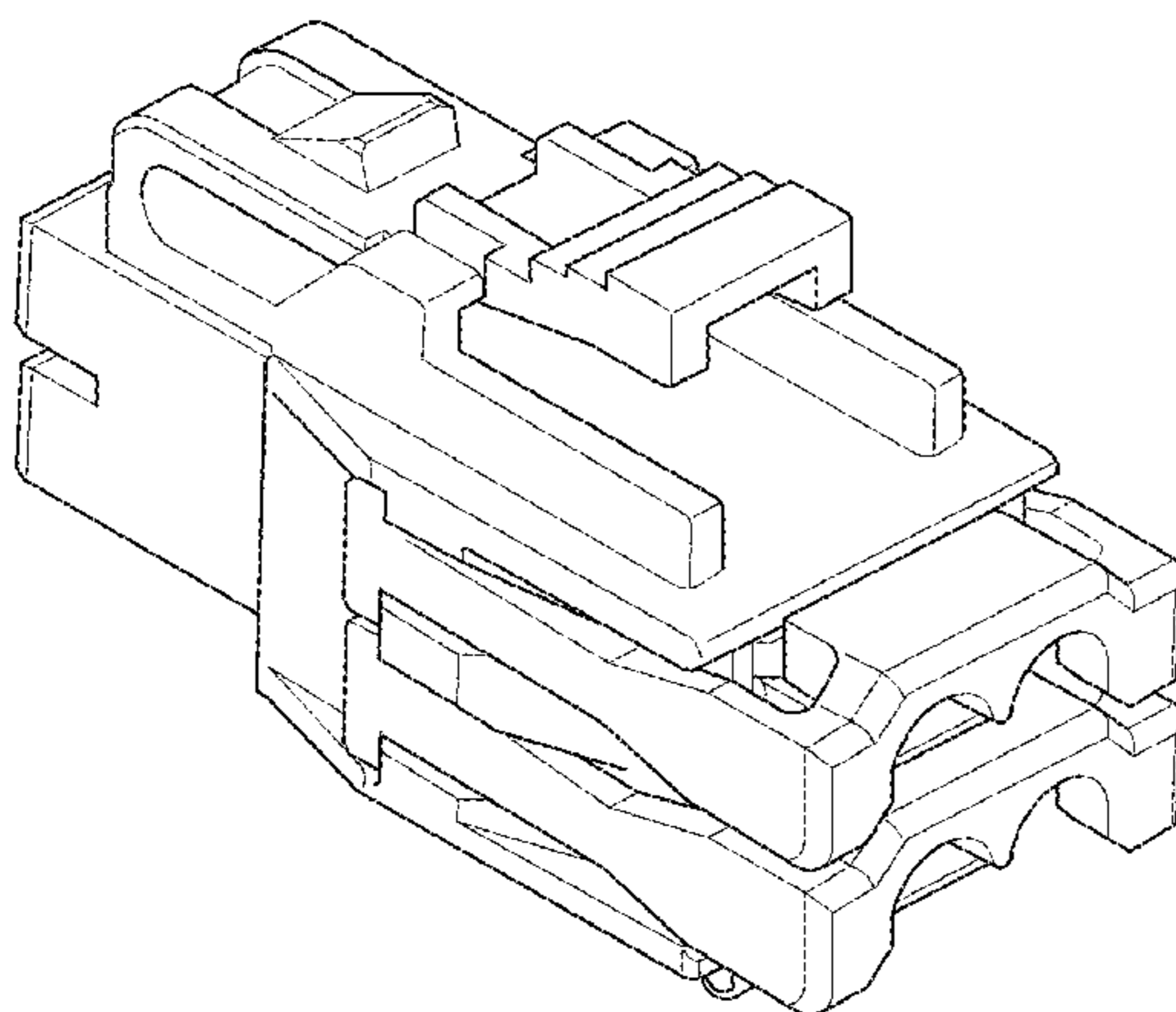


FIG. 44 is a right side view thereof;  
FIG. 45 is a left side view thereof;  
FIG. 46 is a front view thereof;  
FIG. 47 is a rear view thereof;  
FIG. 48 is a top view thereof; and,  
FIG. 49 is a bottom view thereof.

The connector housing in each embodiment is symmetrical about its longitudinal center plane. The broken lines in the drawing views represent unclaimed portions of the connector housing, which are shown for illustration purposes only and form no part of the claimed design.

**1 Claim, 49 Drawing Sheets**

(58) **Field of Classification Search**

CPC .... H01R 13/02; H01R 13/436; H01R 13/502;  
H01R 13/504; H01R 13/506; H01R  
13/514; H01R 13/5208; H01R 13/627;  
H01R 13/639; H01R 13/6581; H01R  
24/20; H01R 24/28

See application file for complete search history.

(56) **References Cited**

U.S. PATENT DOCUMENTS

D612,807 S *	3/2010	Mancini .....	D13/133
D613,250 S *	4/2010	Barrios .....	D13/147
D615,039 S *	5/2010	Mancini .....	D13/133
D623,597 S *	9/2010	Barrios .....	D13/147
D652,796 S *	1/2012	Smith .....	D13/133

\* cited by examiner

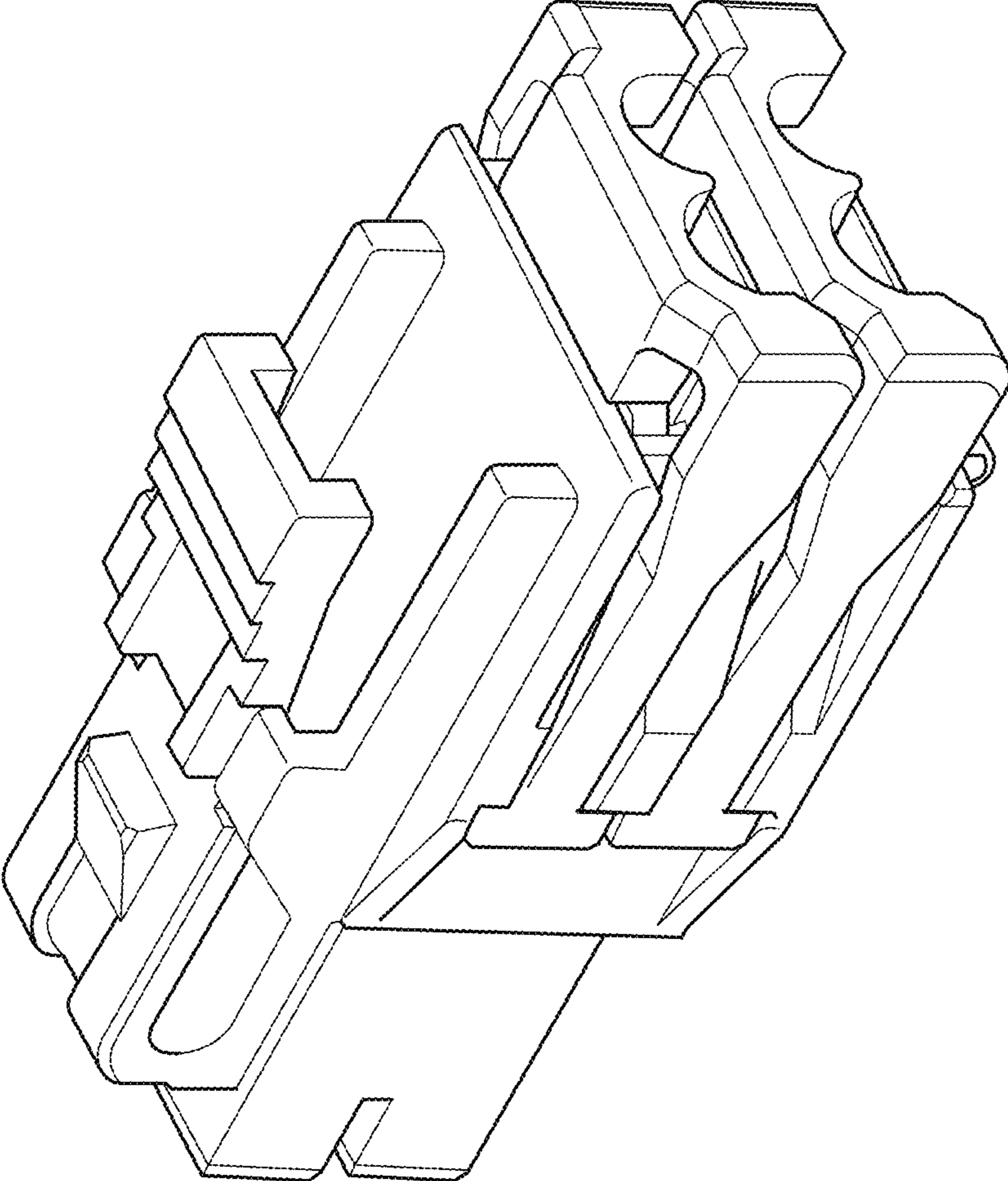


FIG. 1

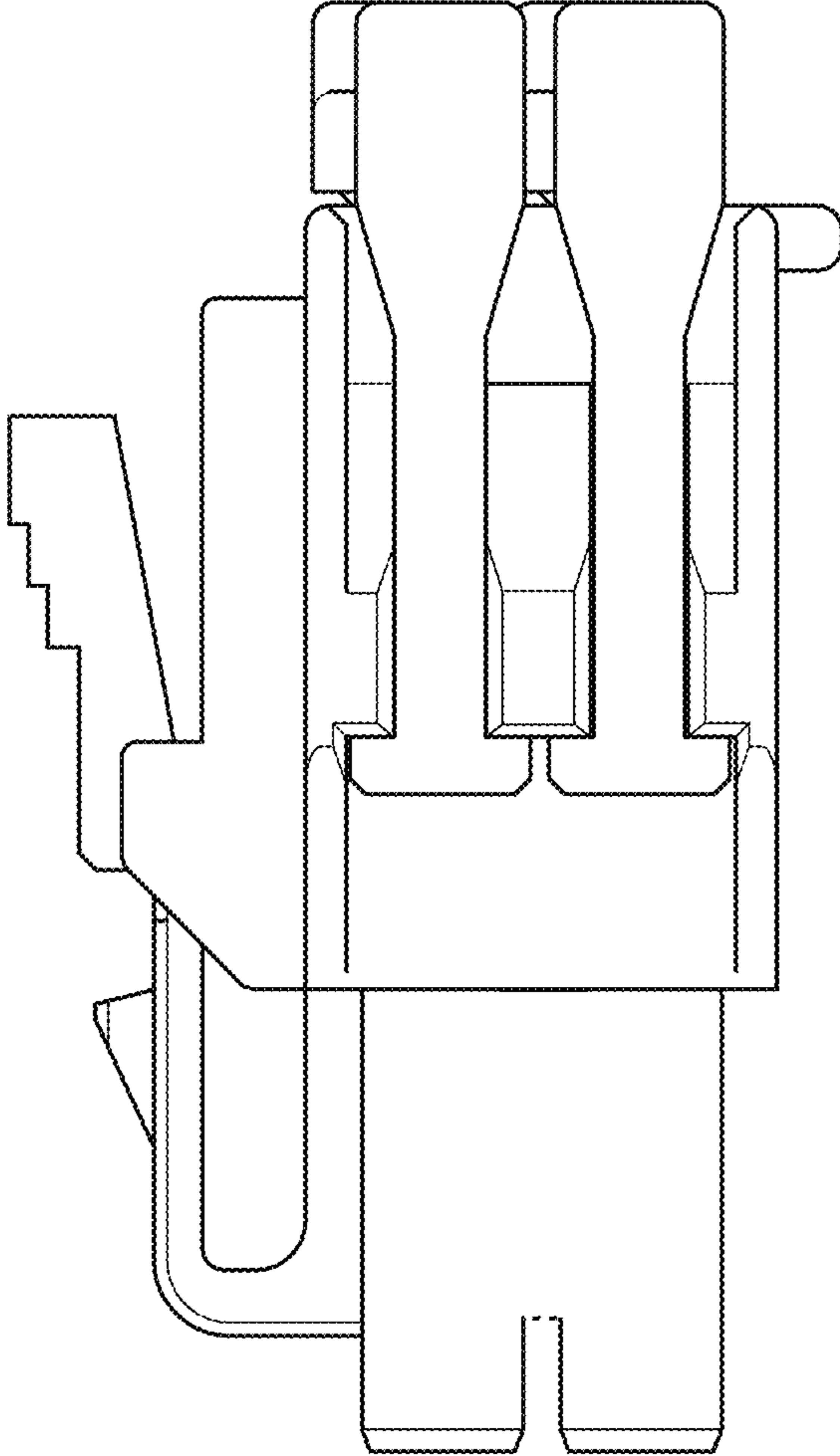


FIG. 2

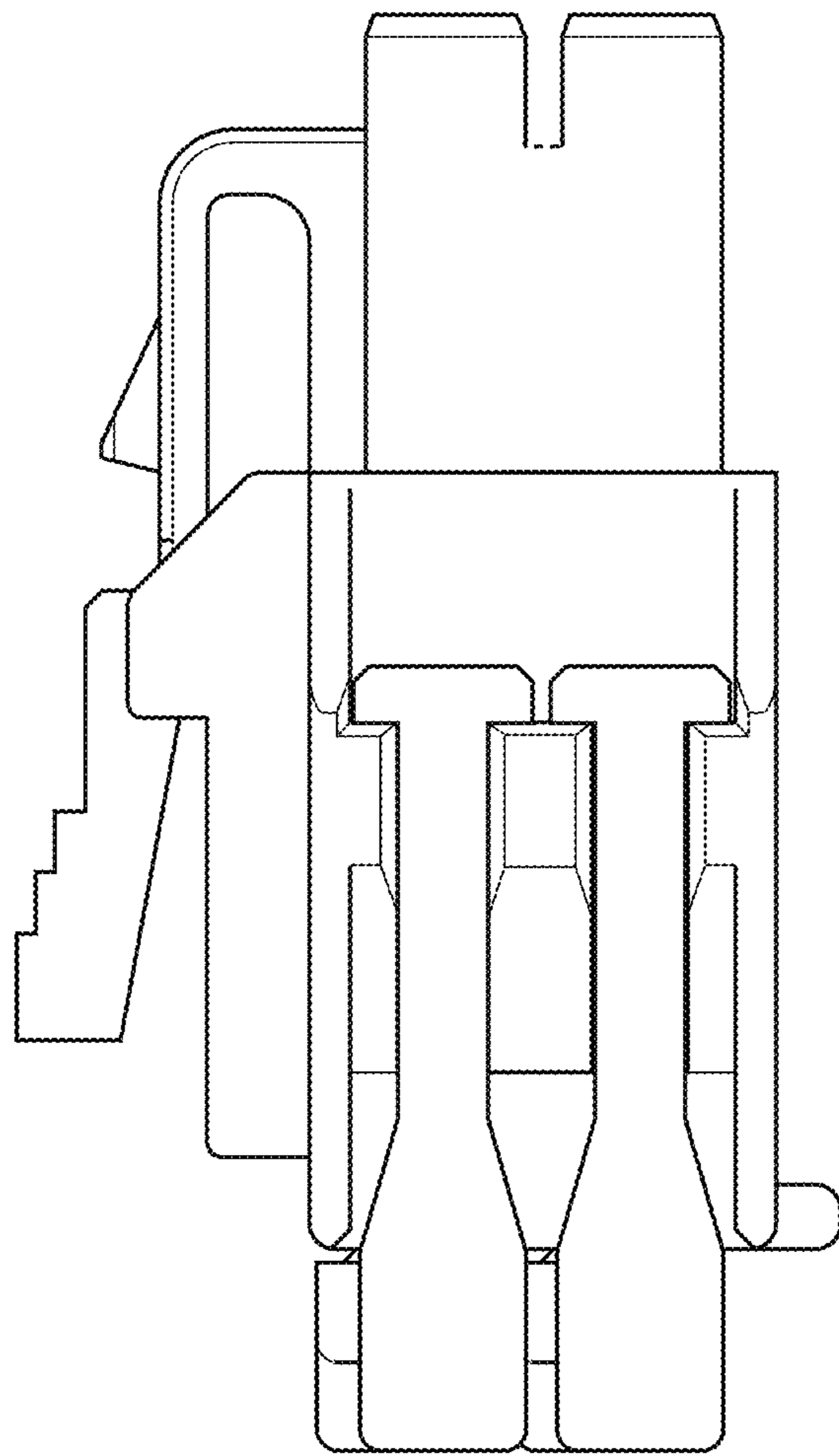


FIG. 3

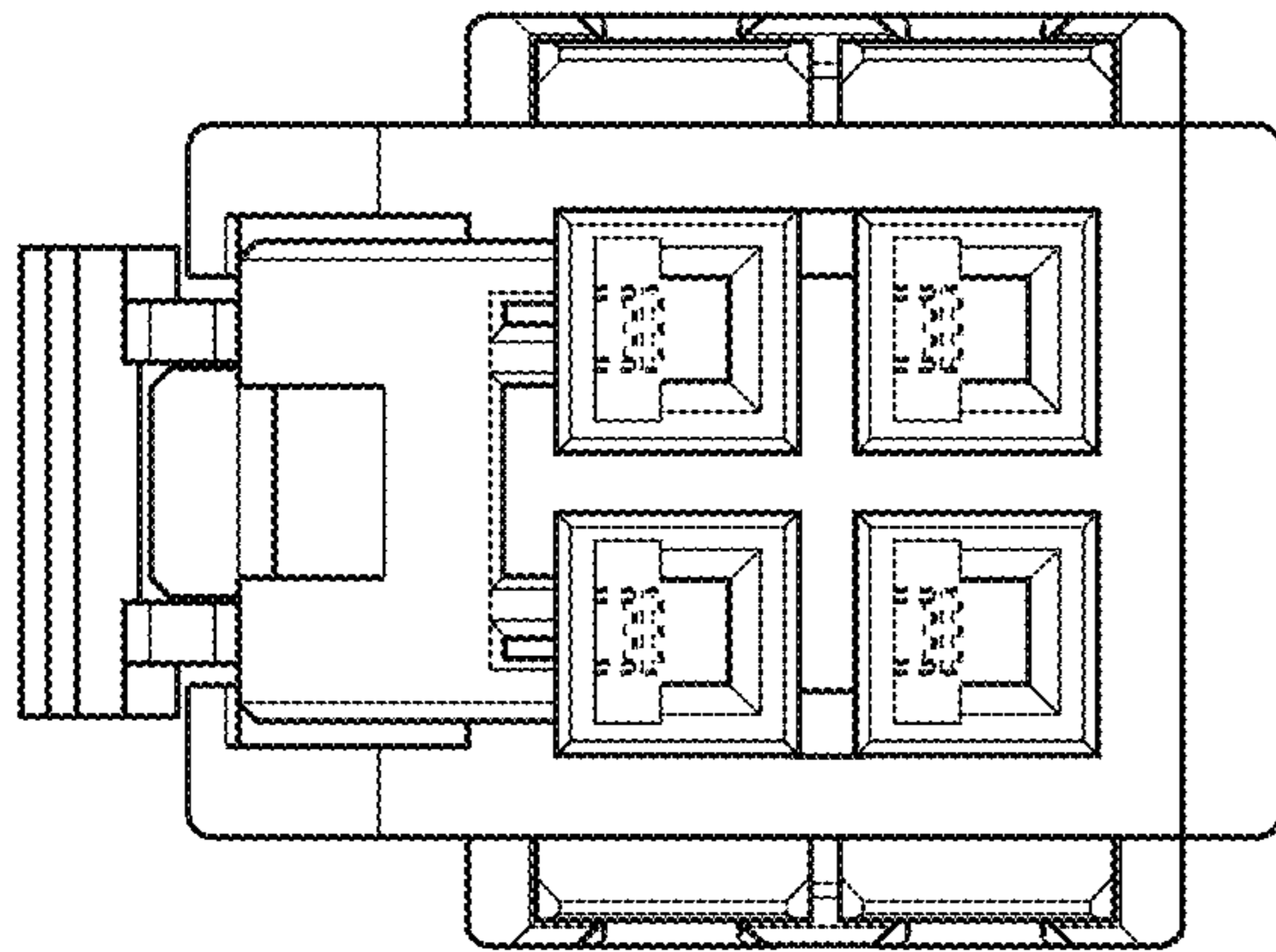


FIG. 4

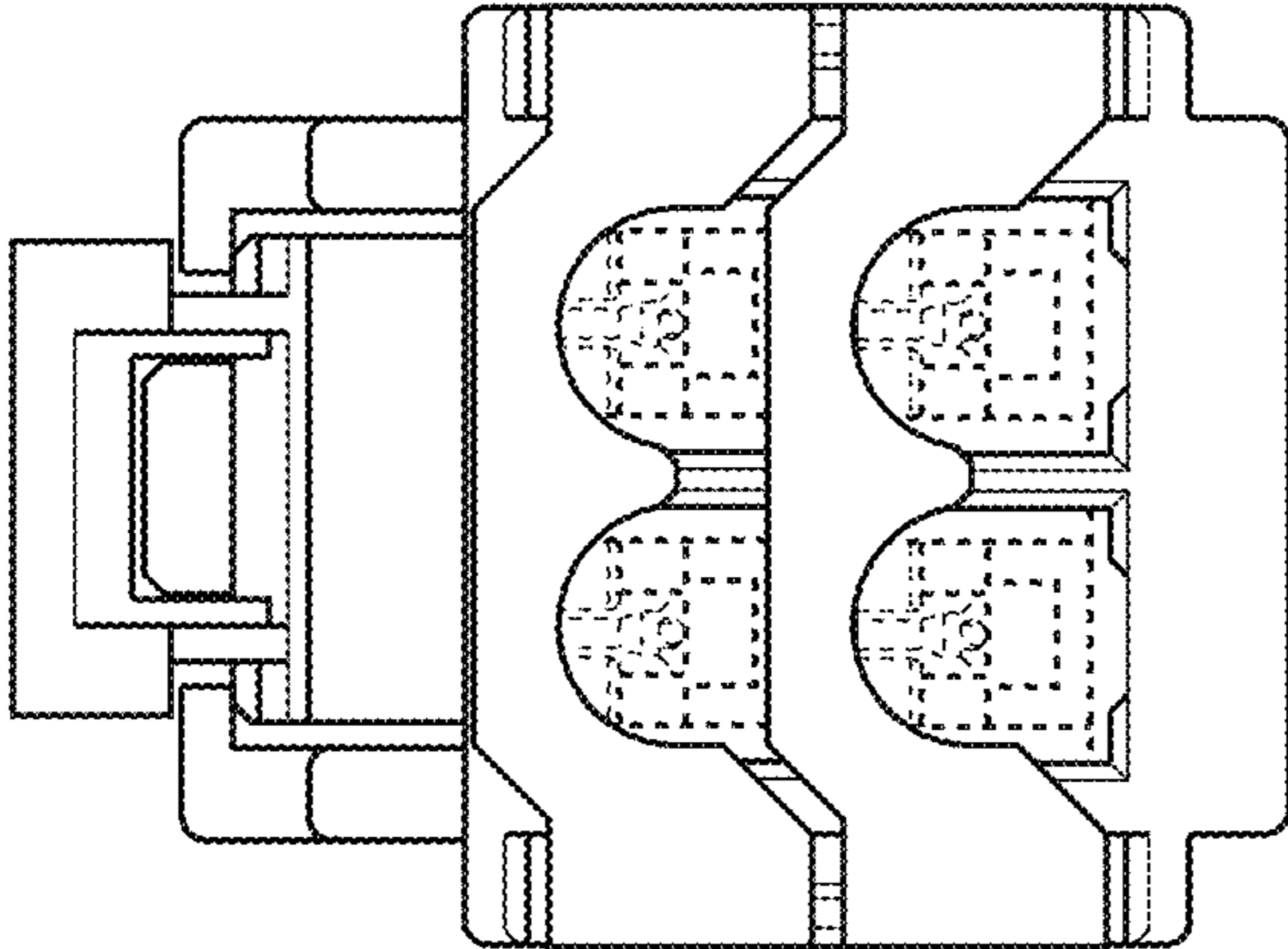


FIG. 5

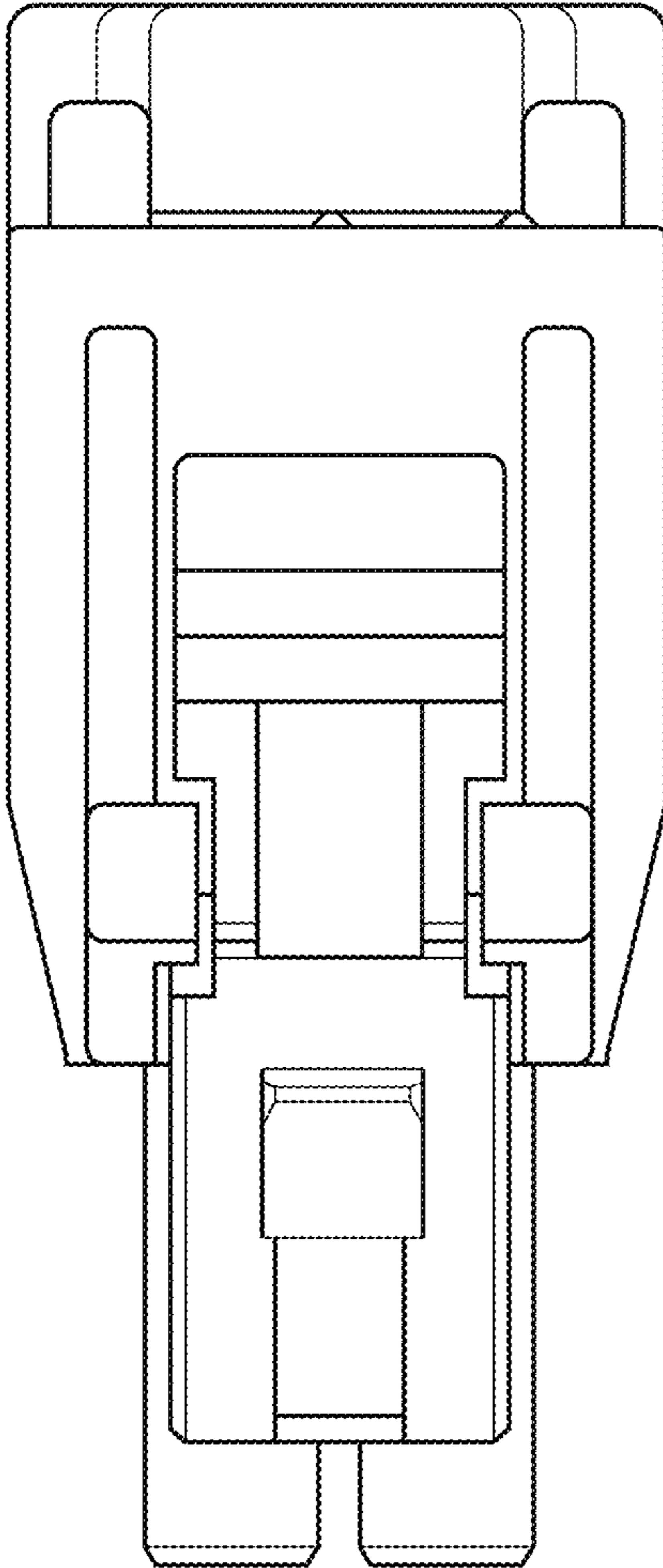


FIG. 6



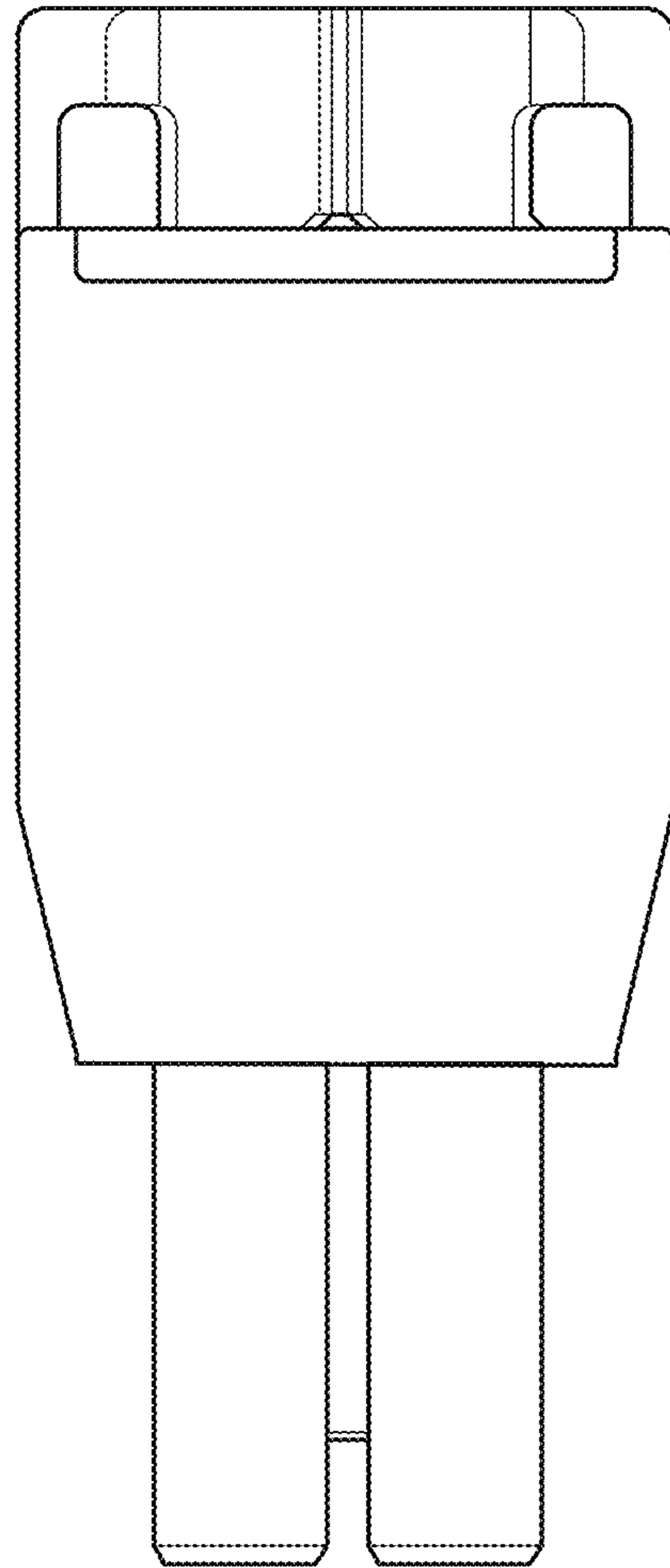


FIG. 7

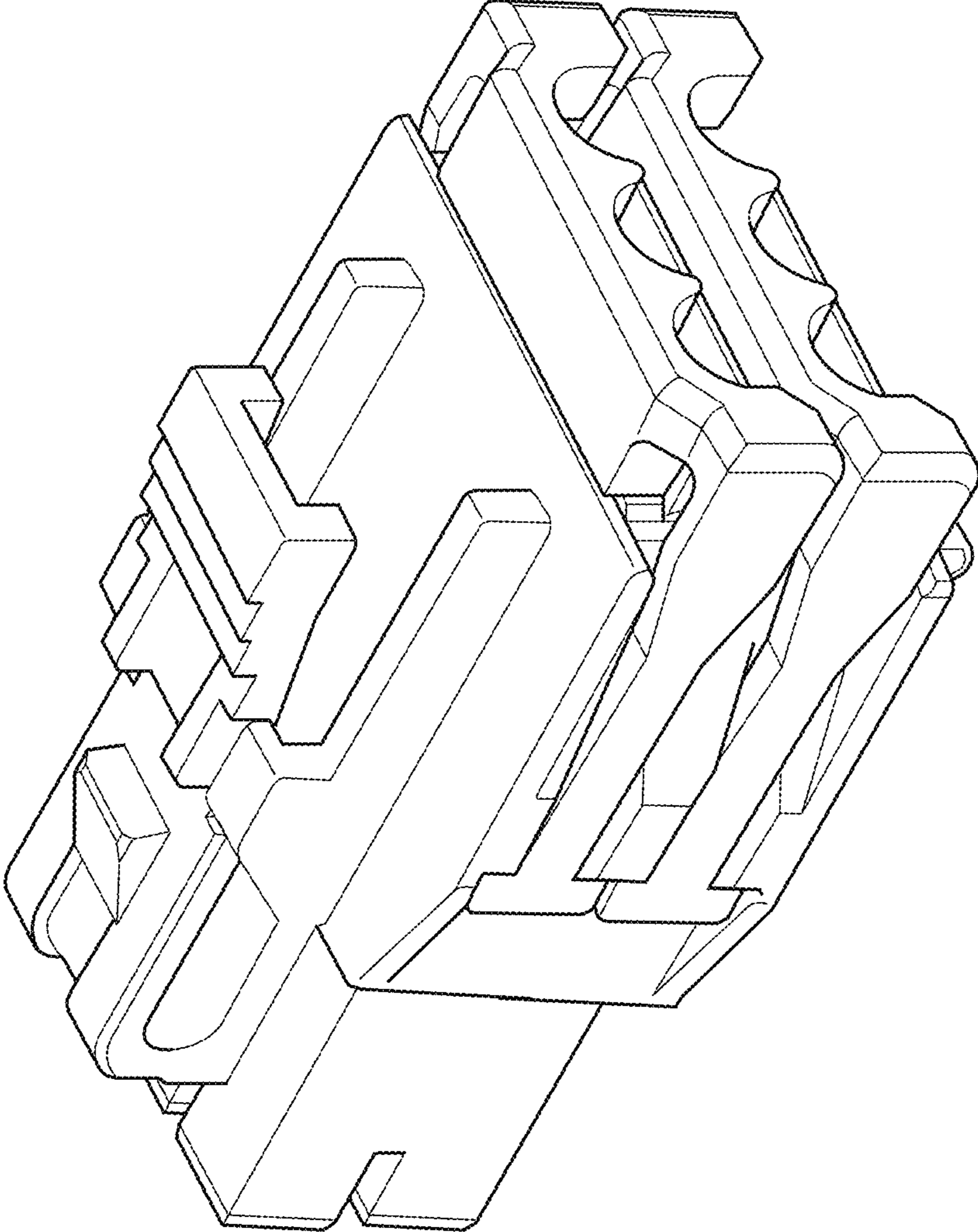


FIG. 8

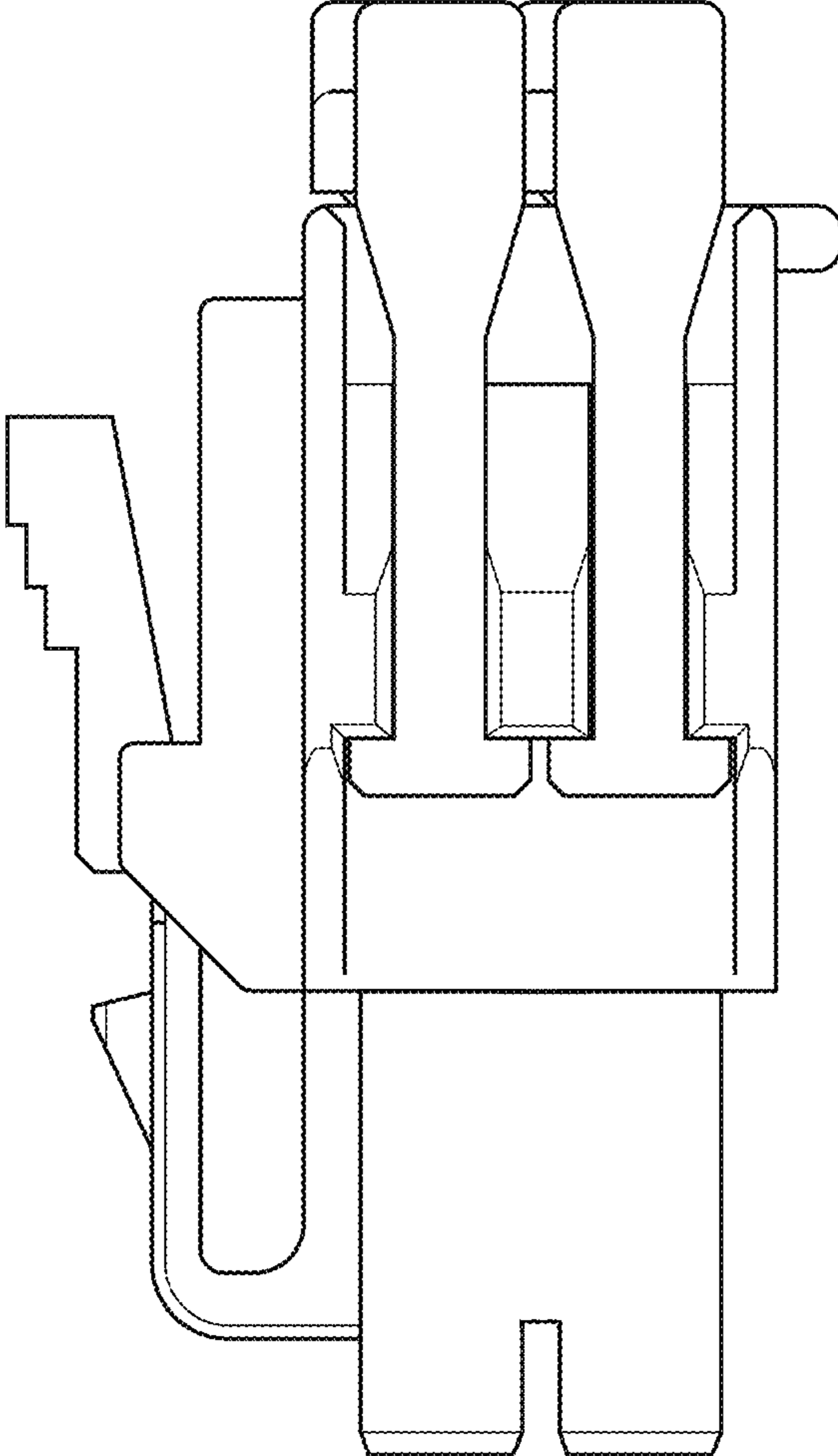


FIG. 9

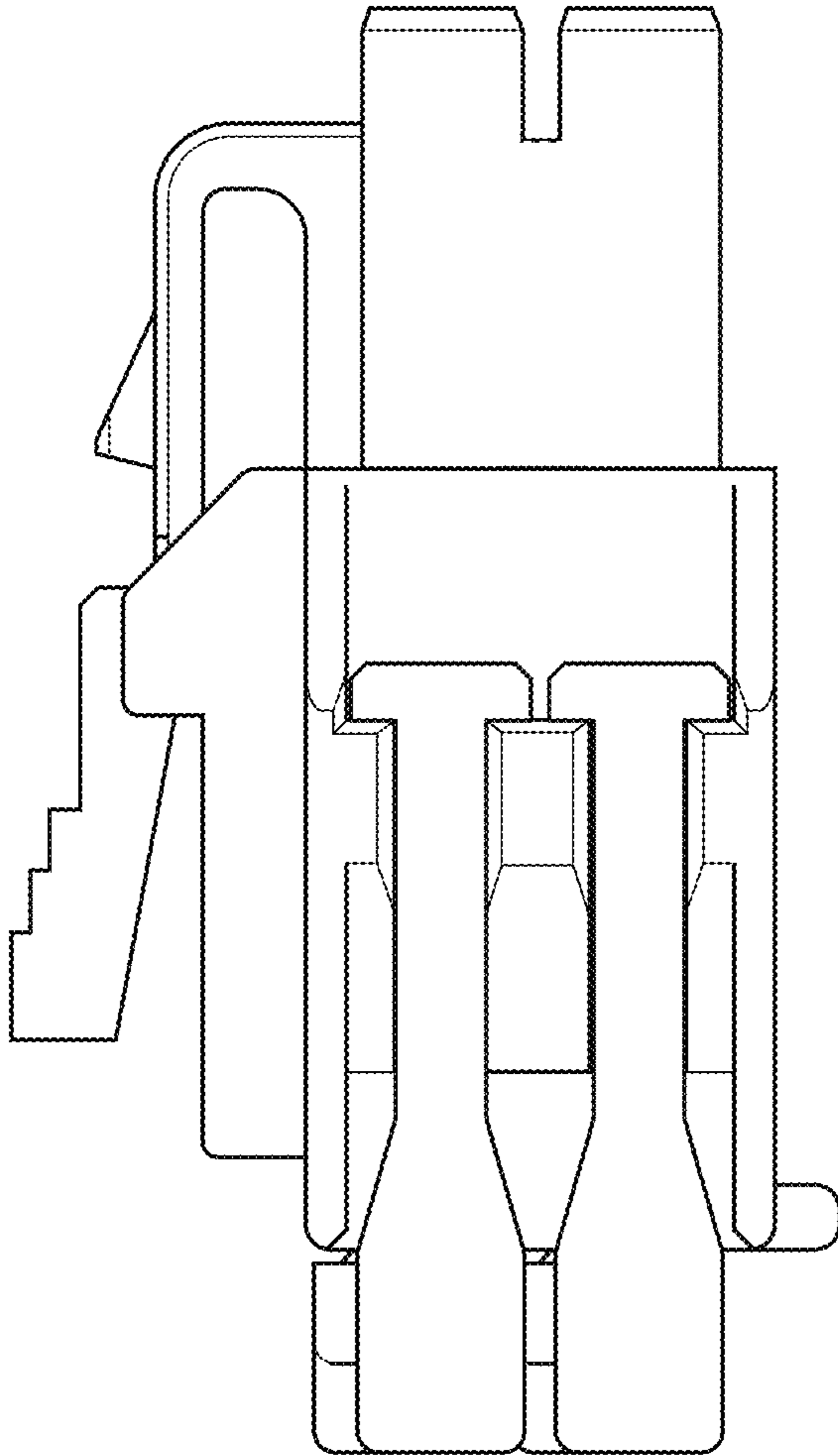


FIG. 10

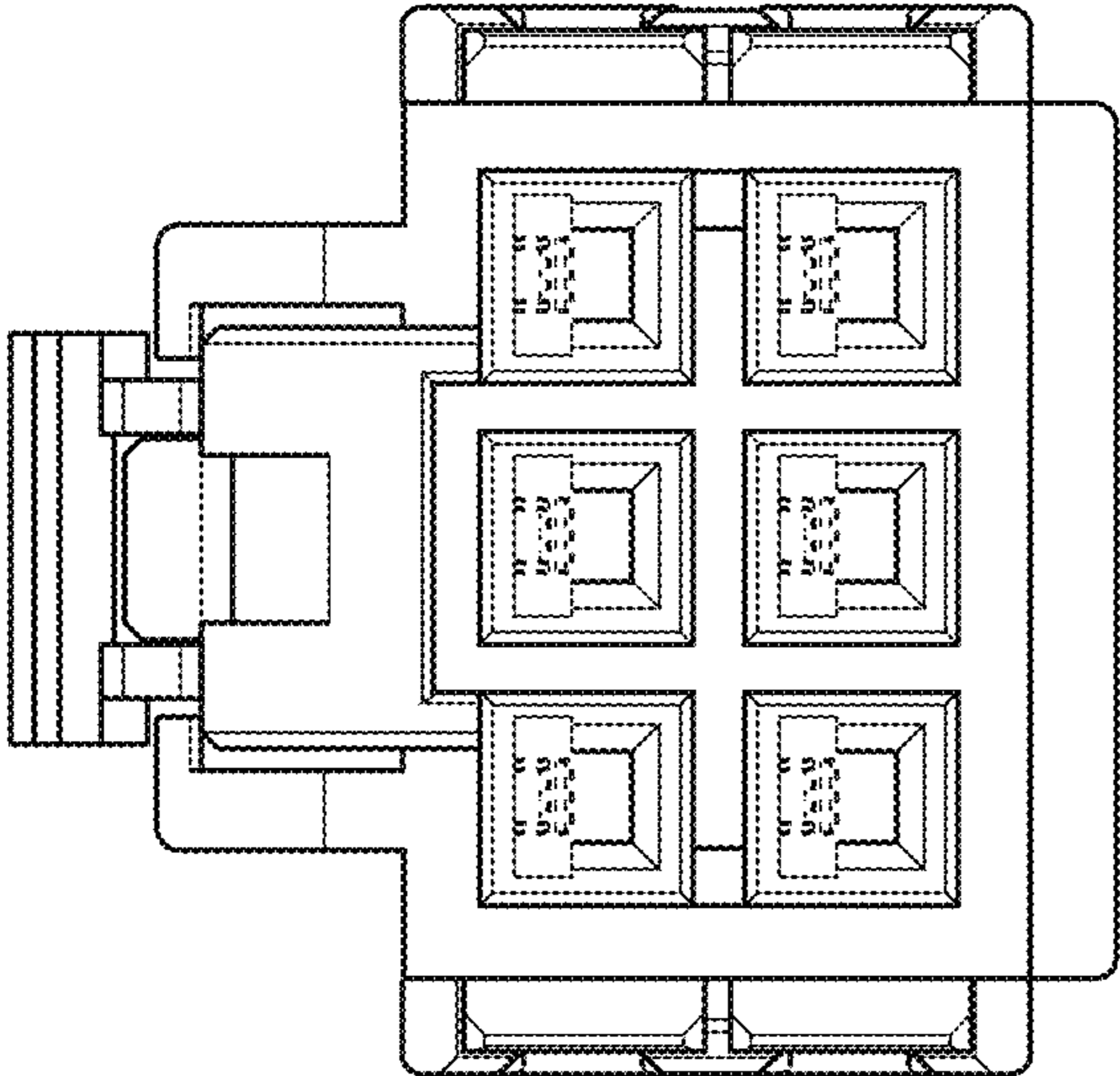


FIG. 11

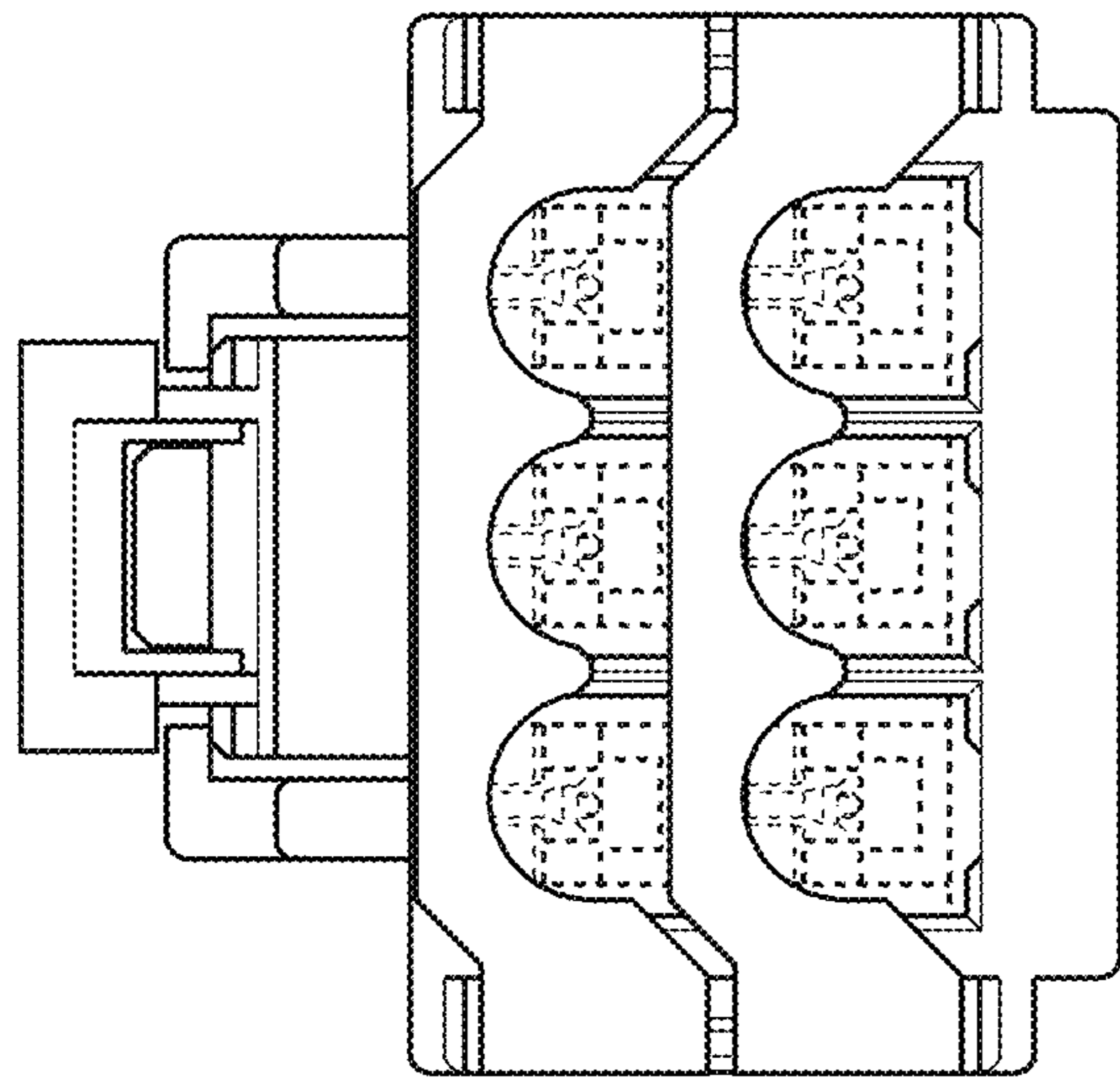


FIG. 12

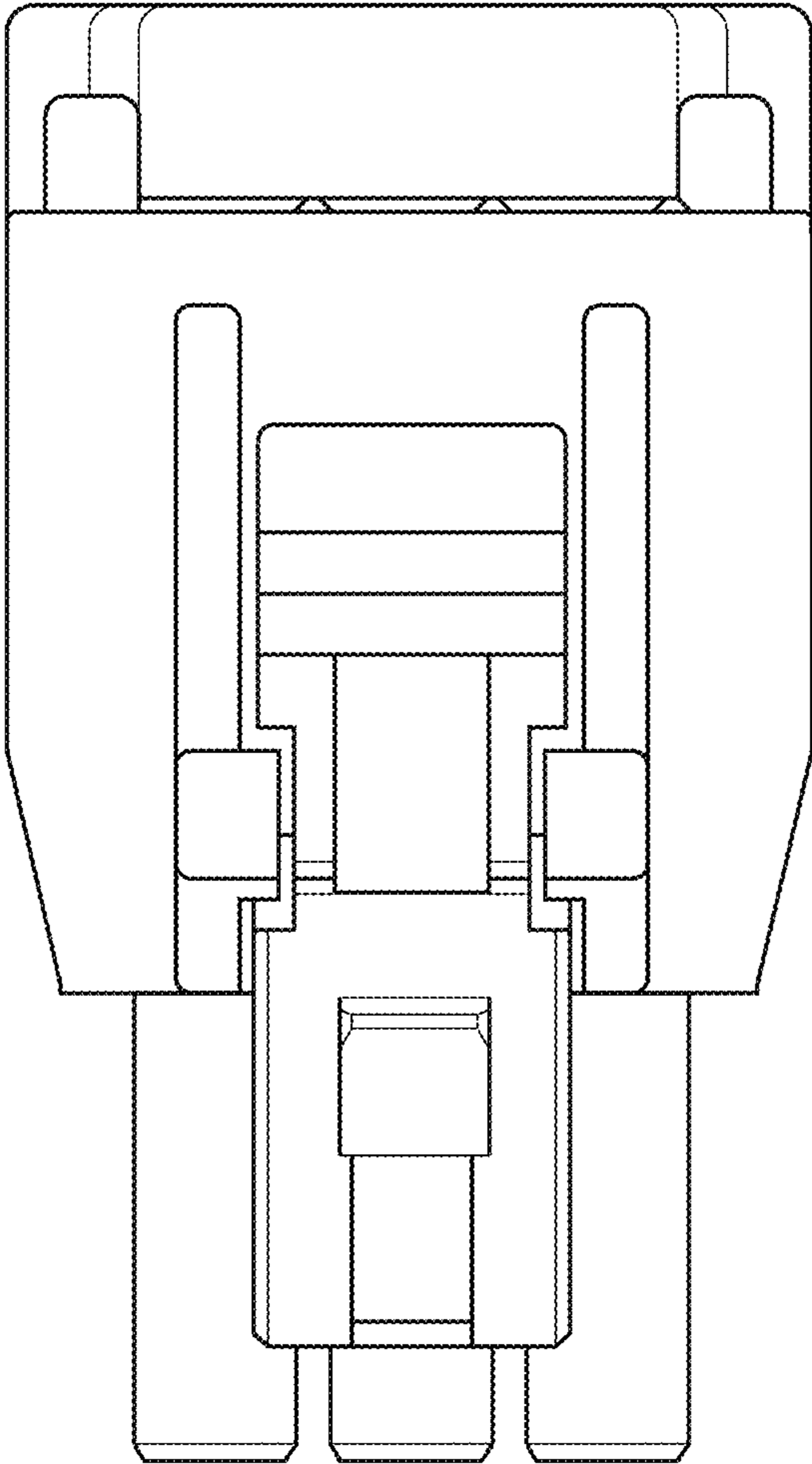


FIG. 13

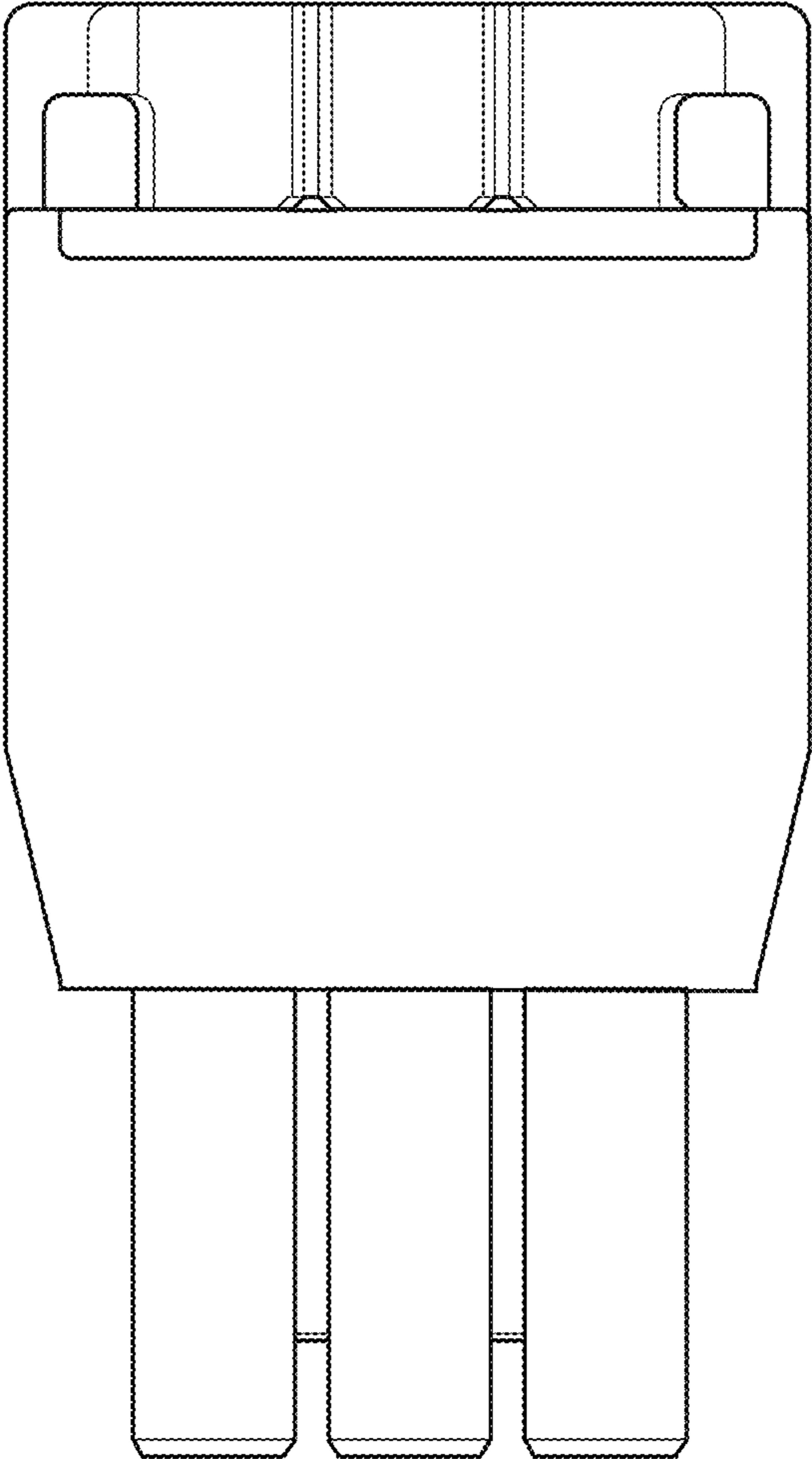


FIG. 14



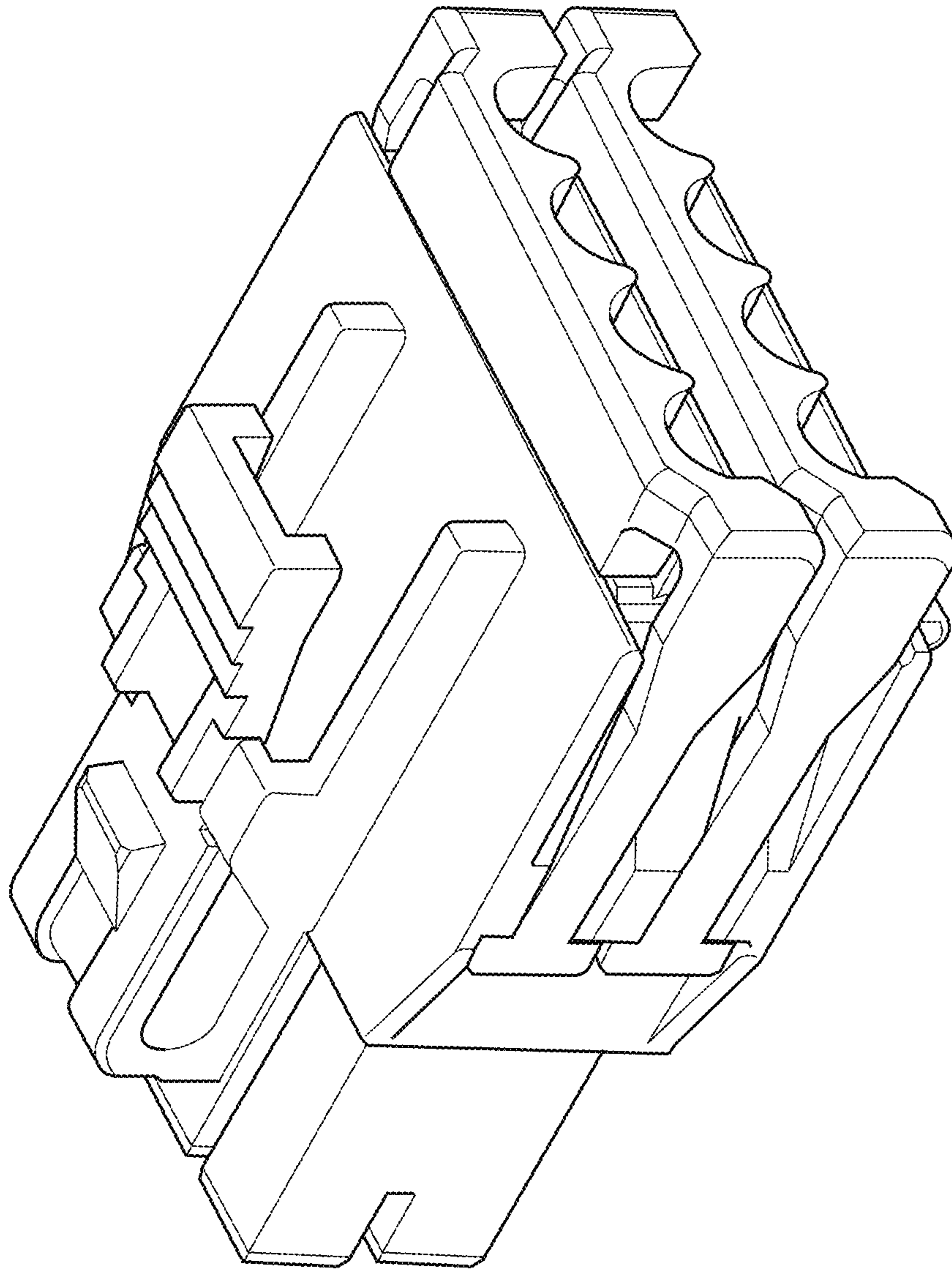


FIG. 15

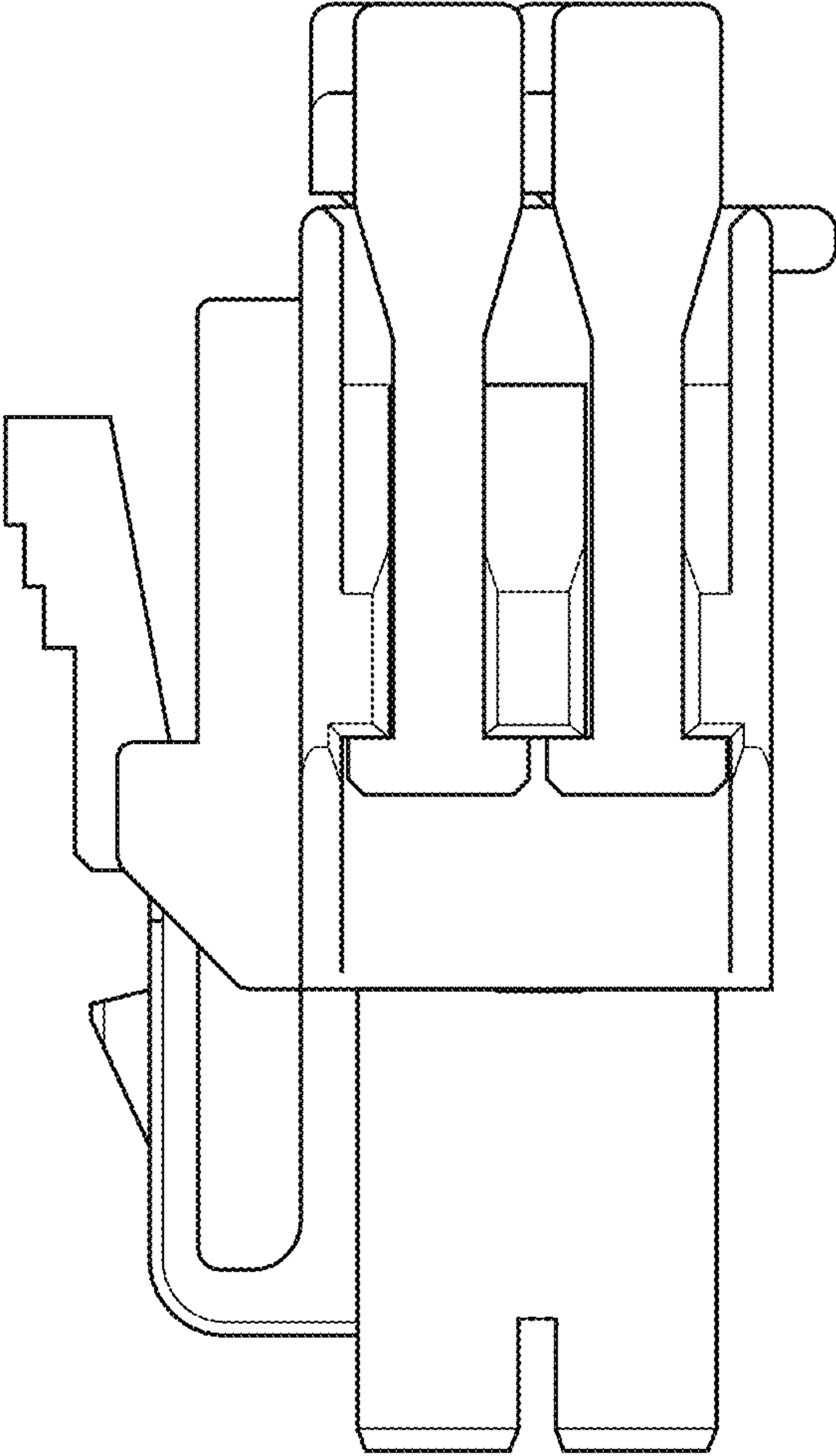


FIG. 16

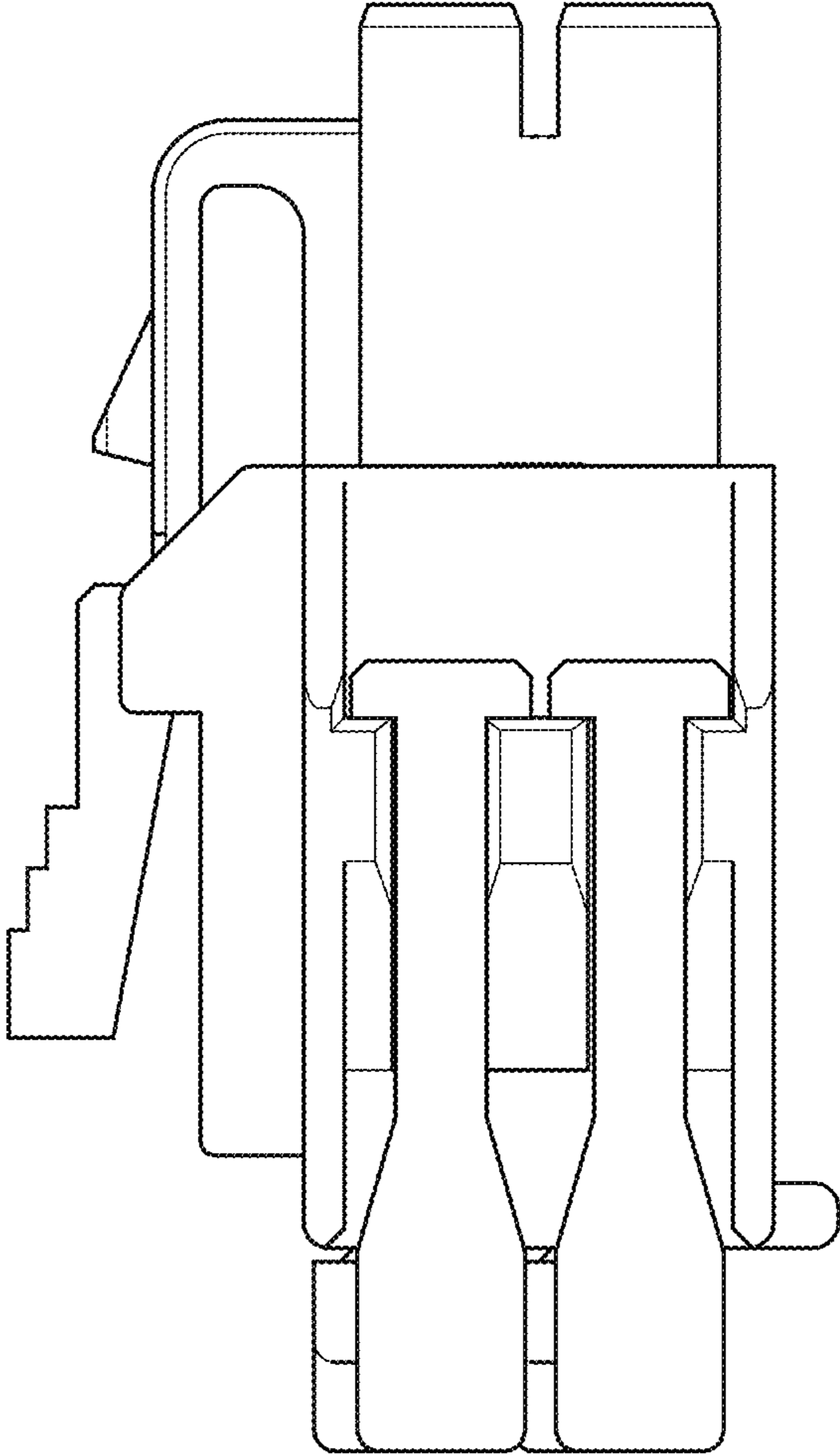


FIG. 17

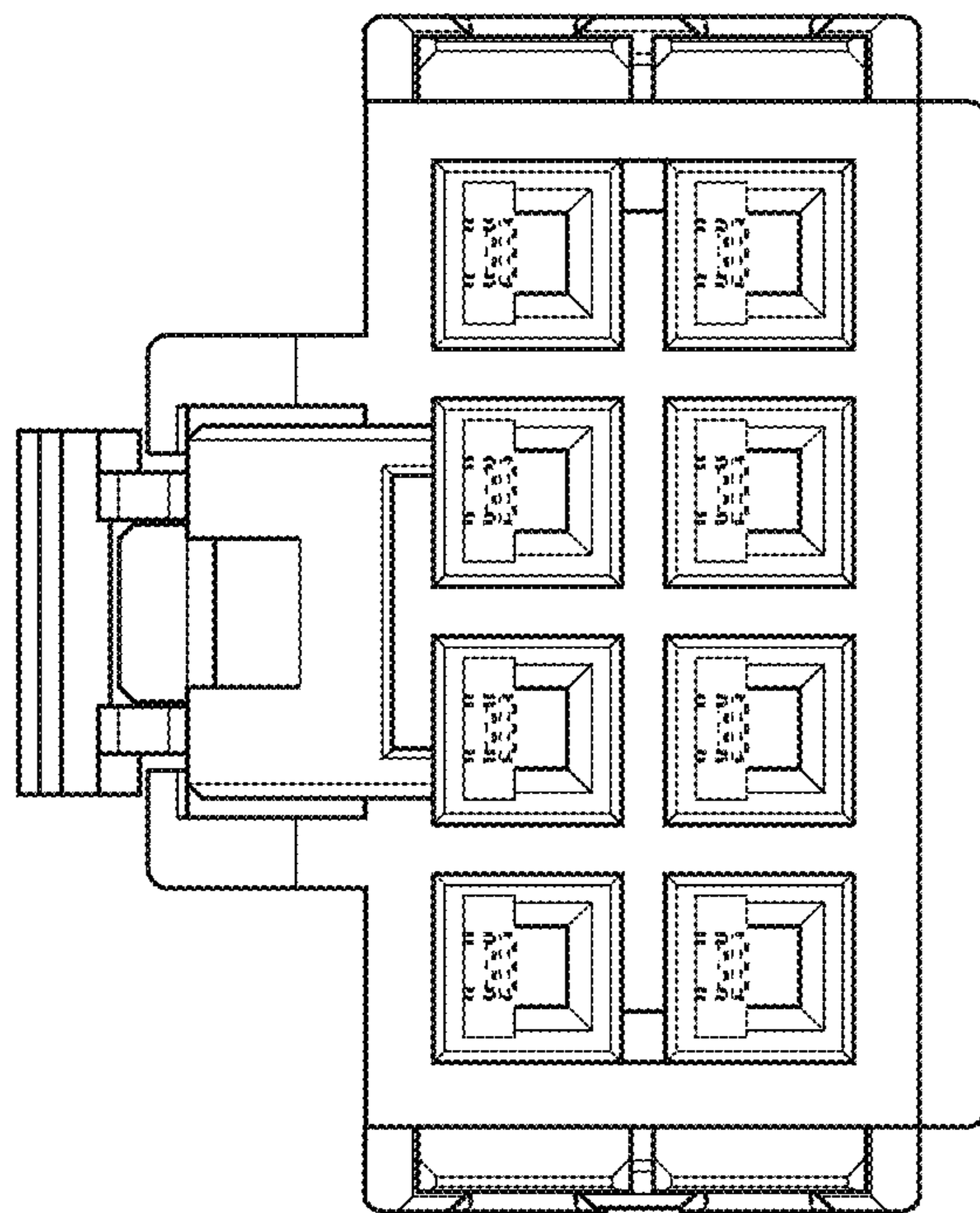


FIG. 18

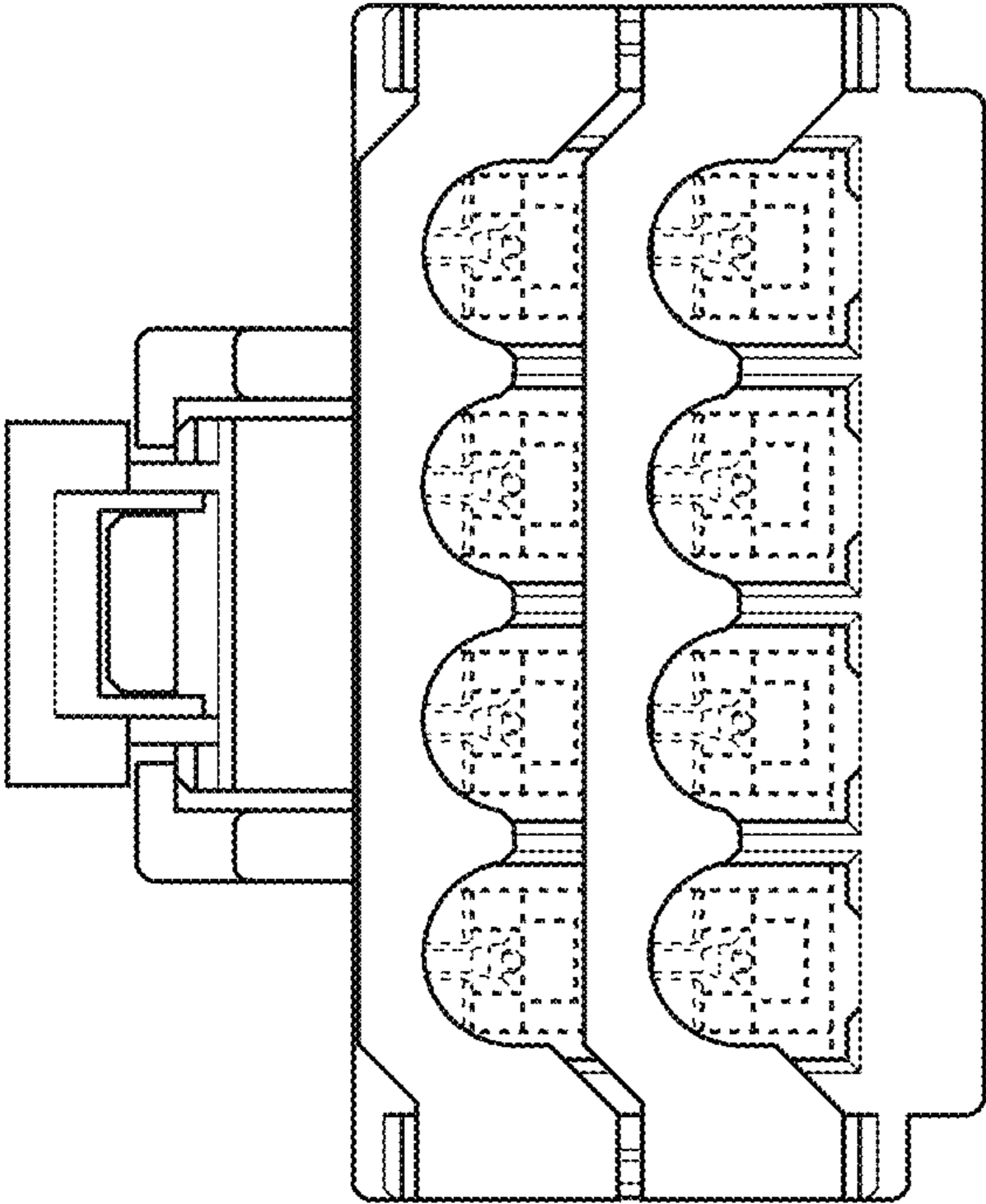


FIG. 19

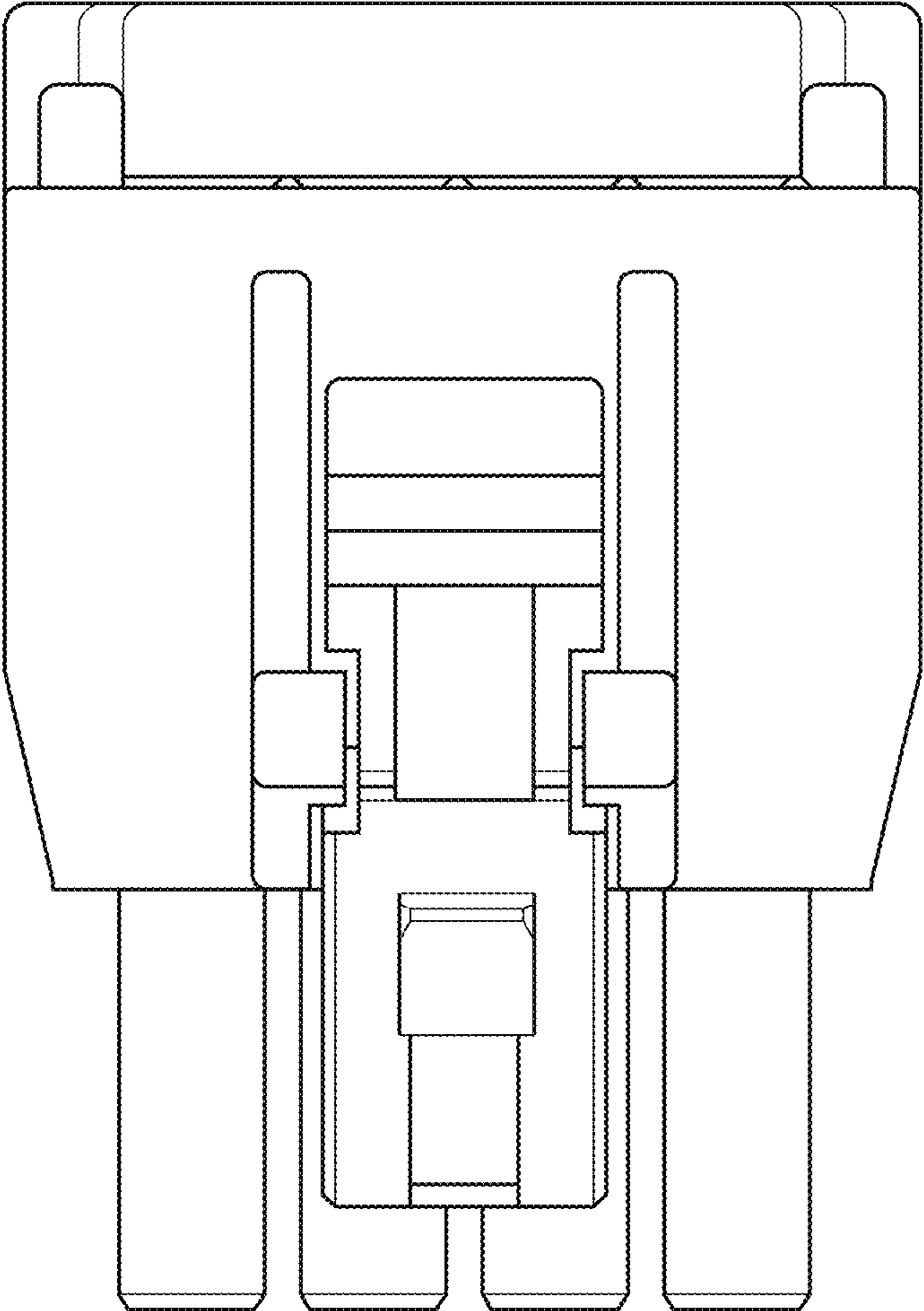


FIG. 20

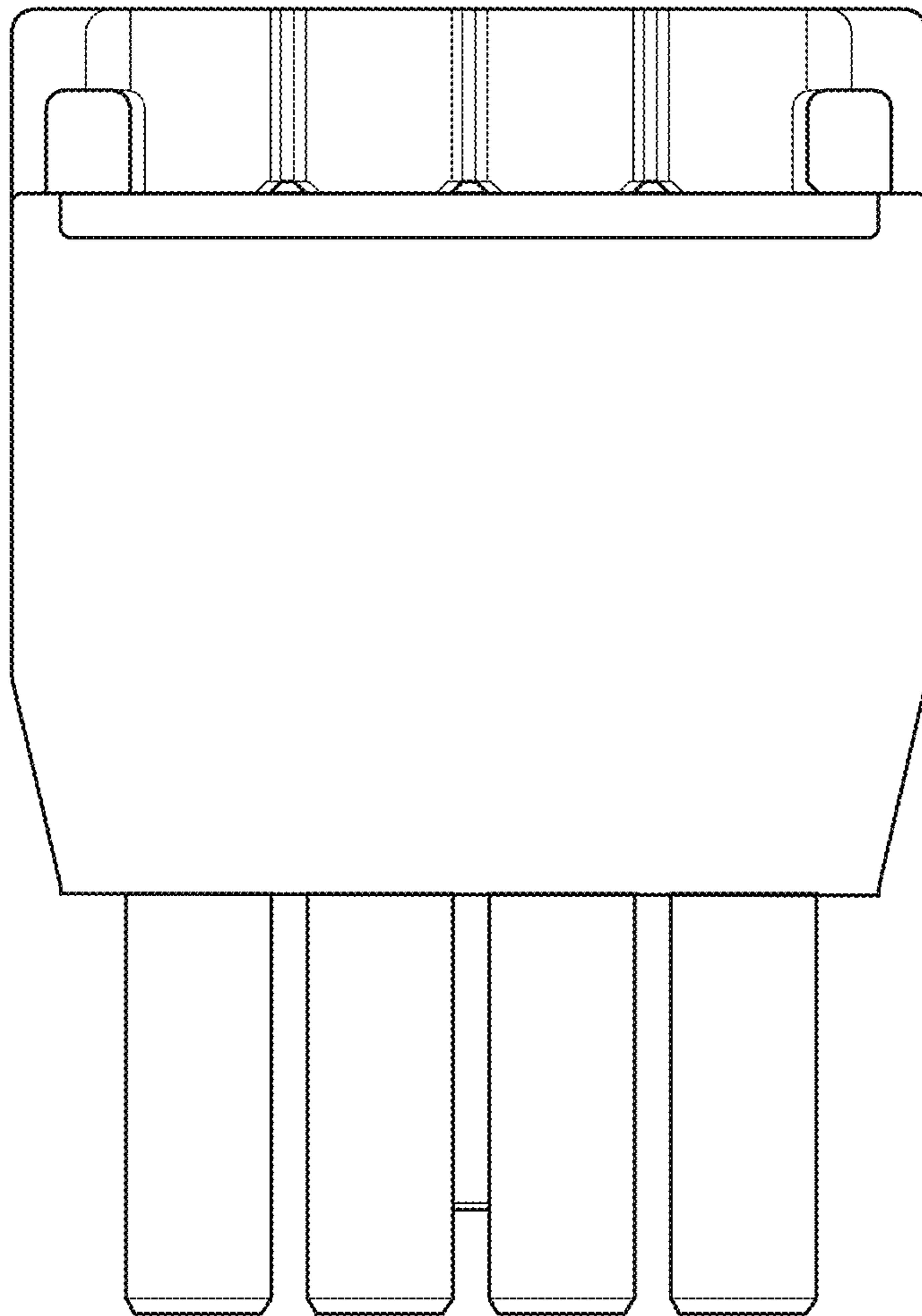


FIG. 21

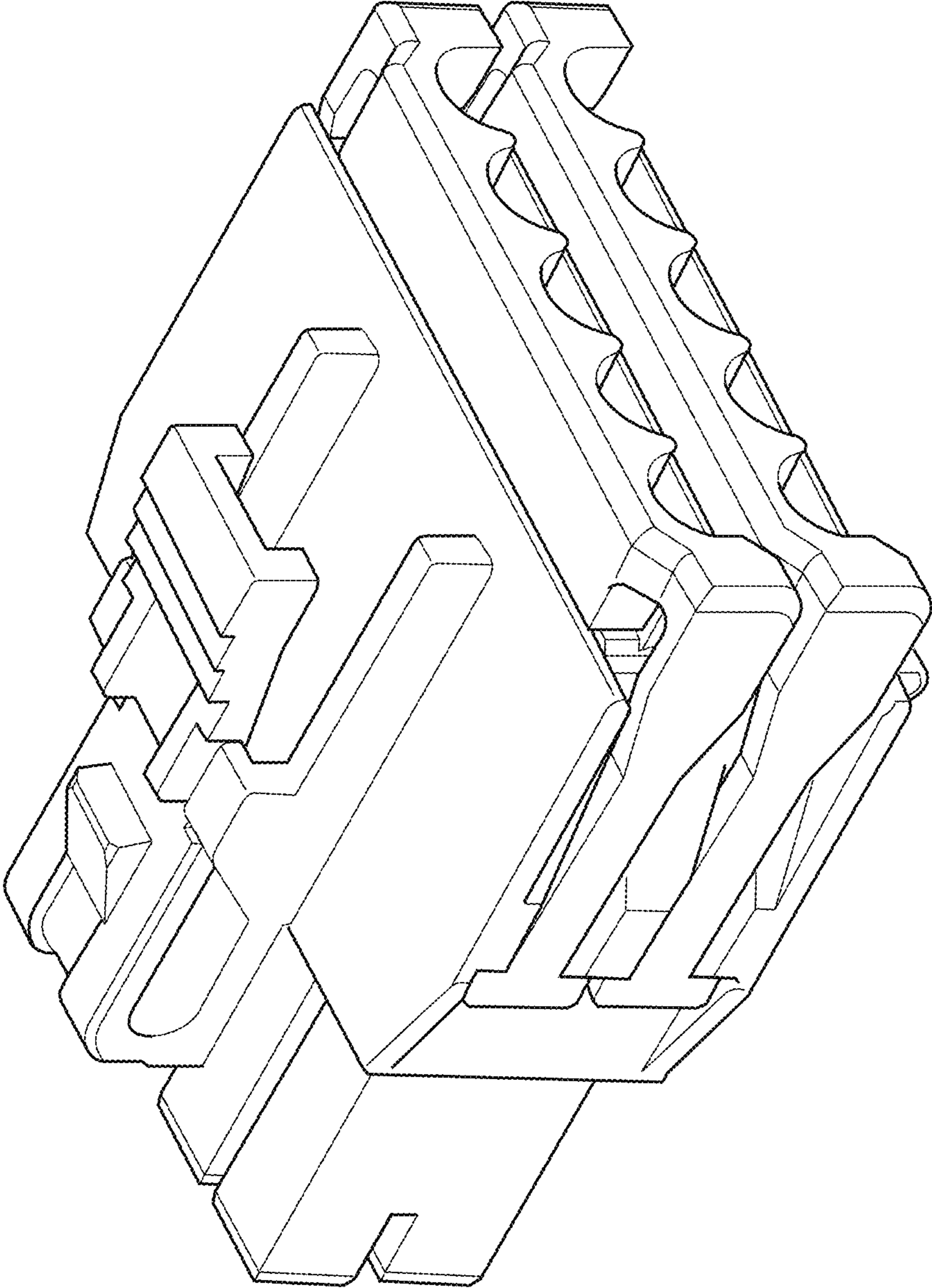


FIG. 22



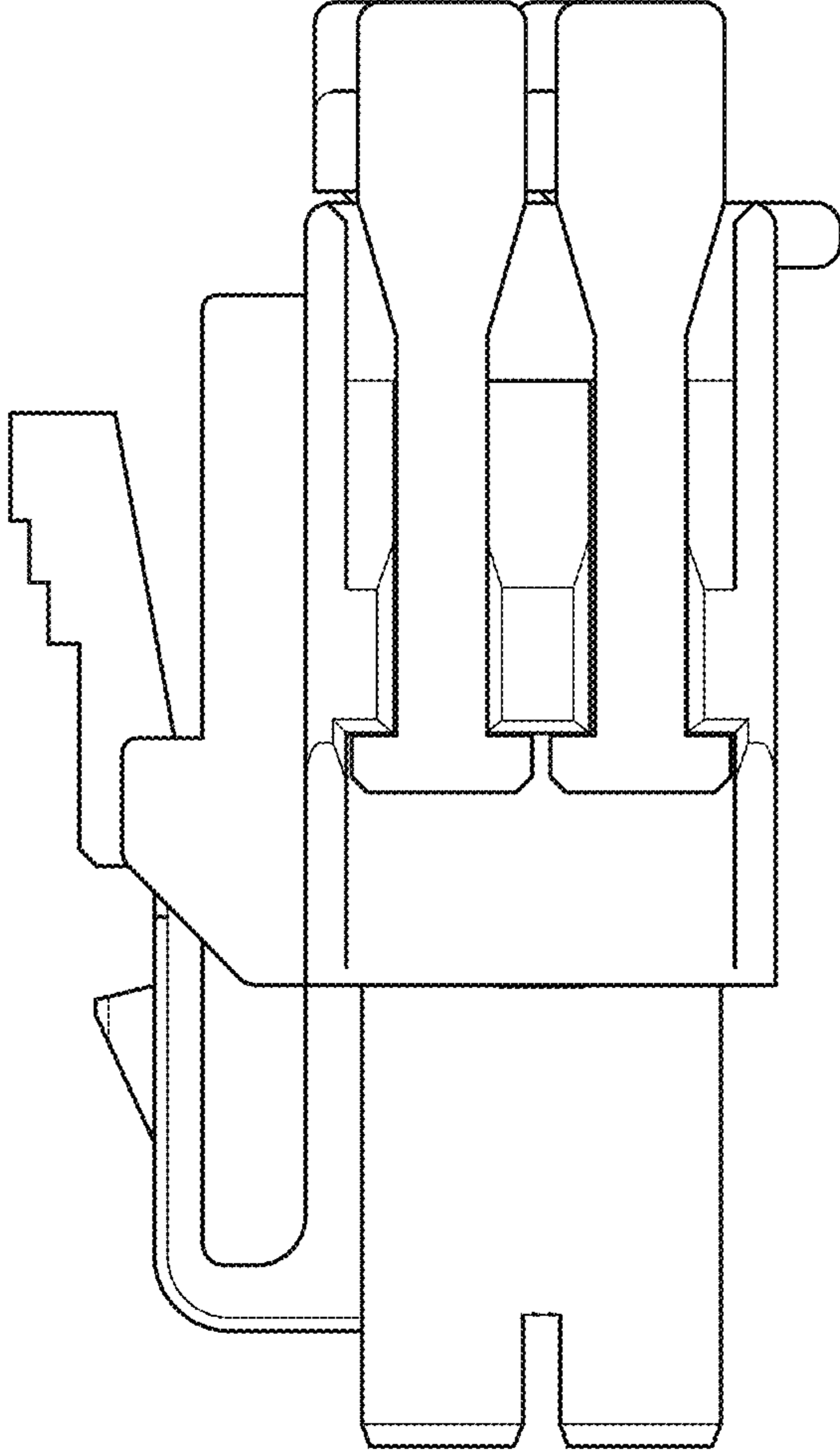


FIG. 23

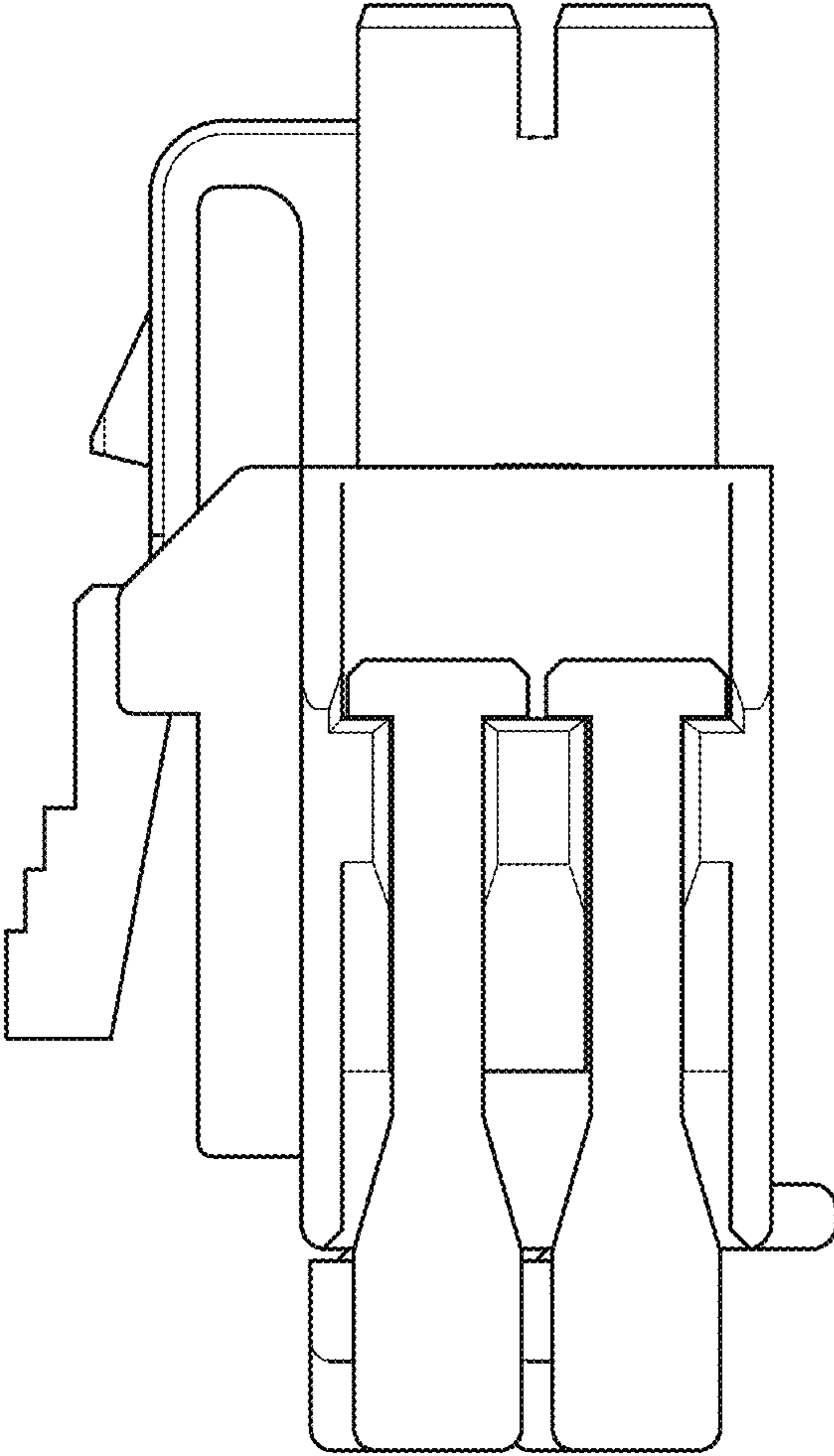


FIG. 24

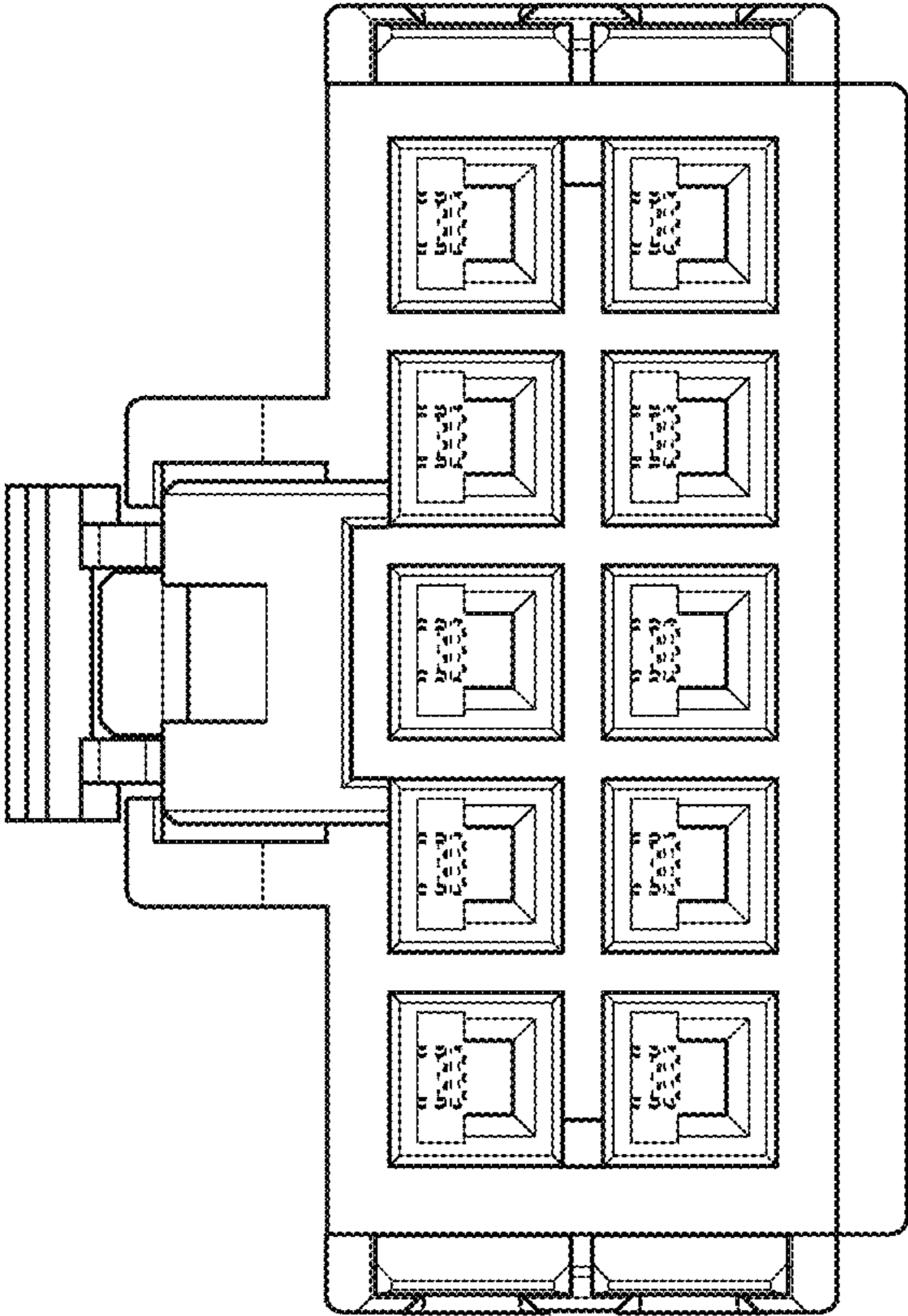


FIG. 25

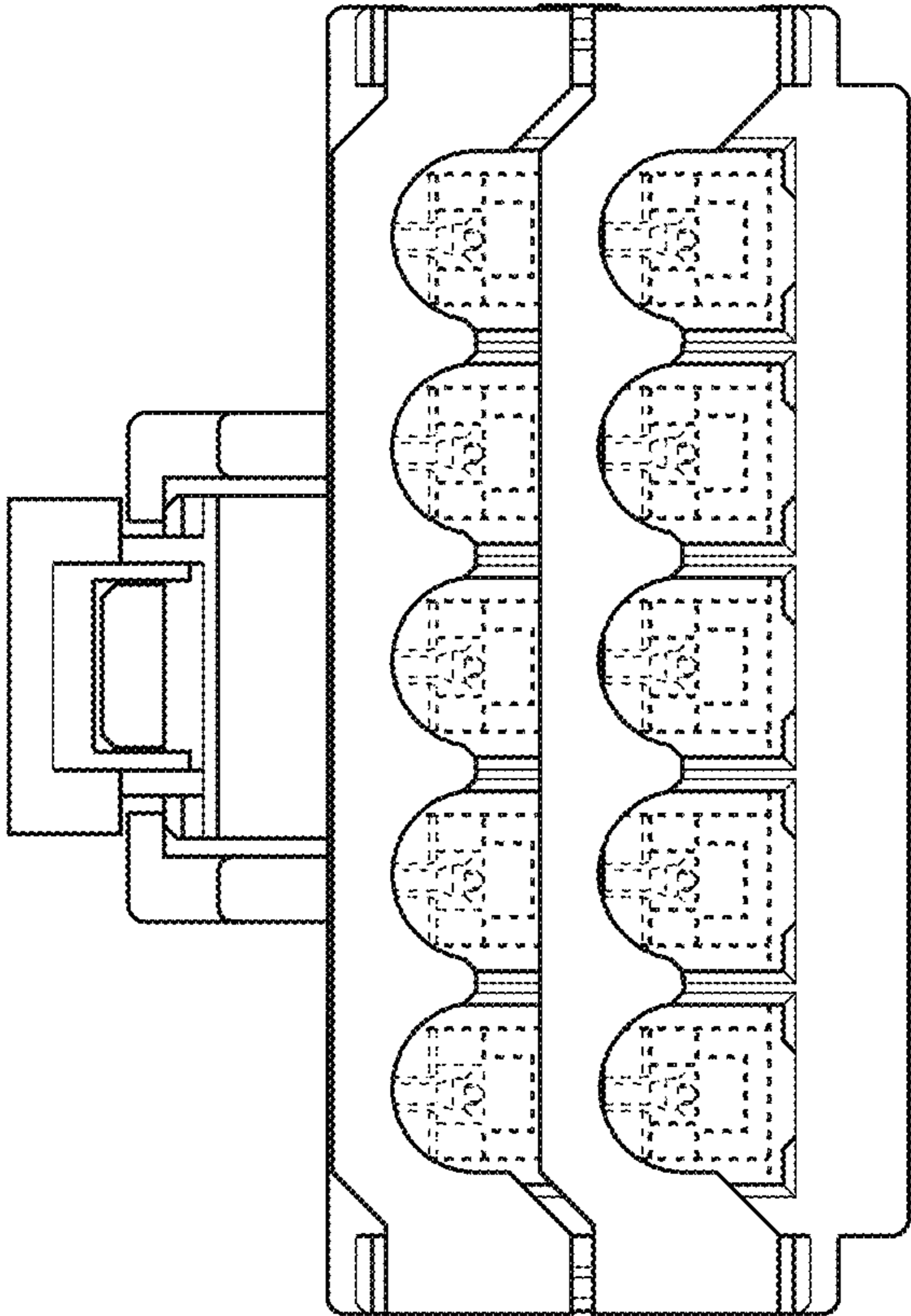


FIG. 26

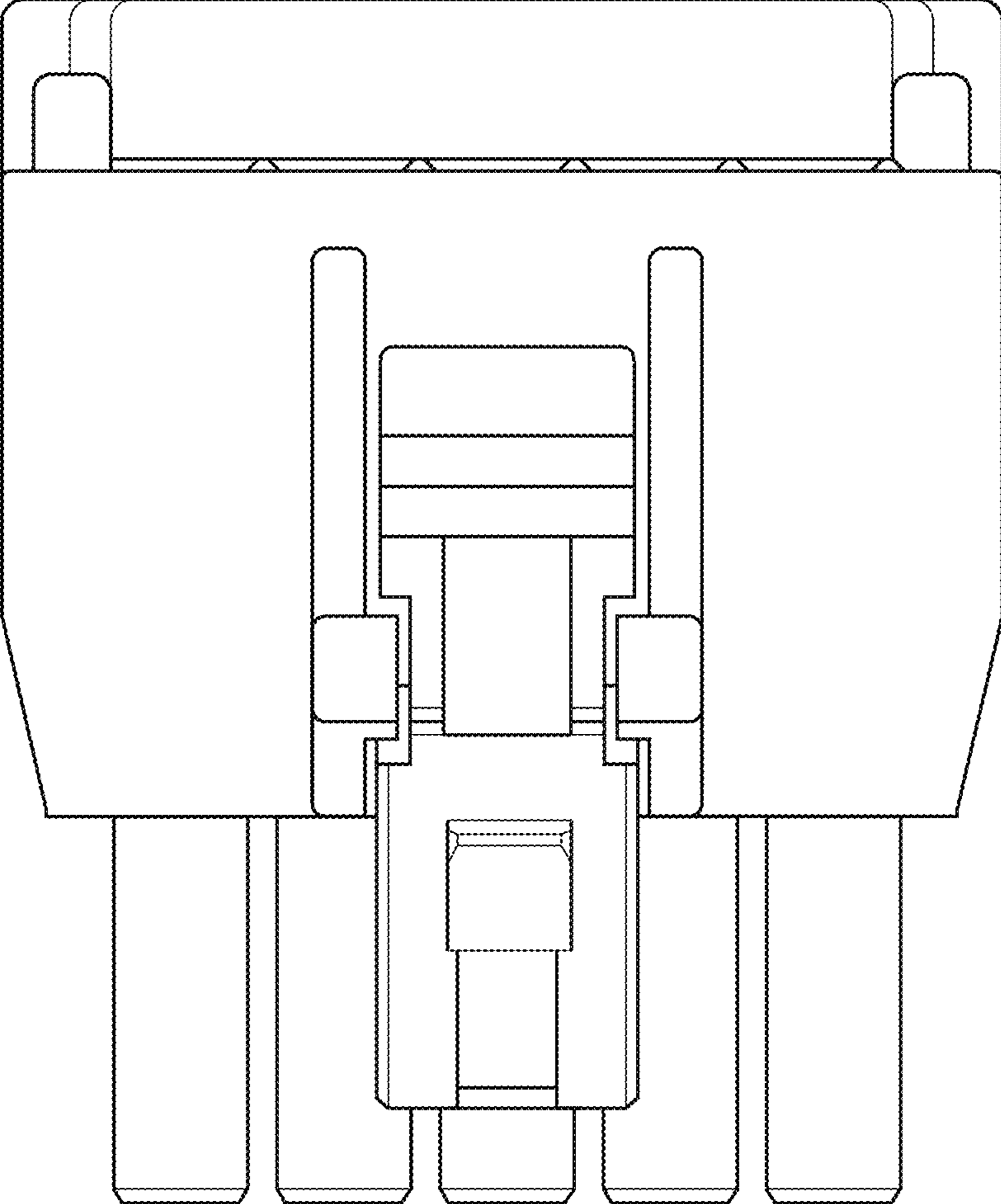


FIG. 27

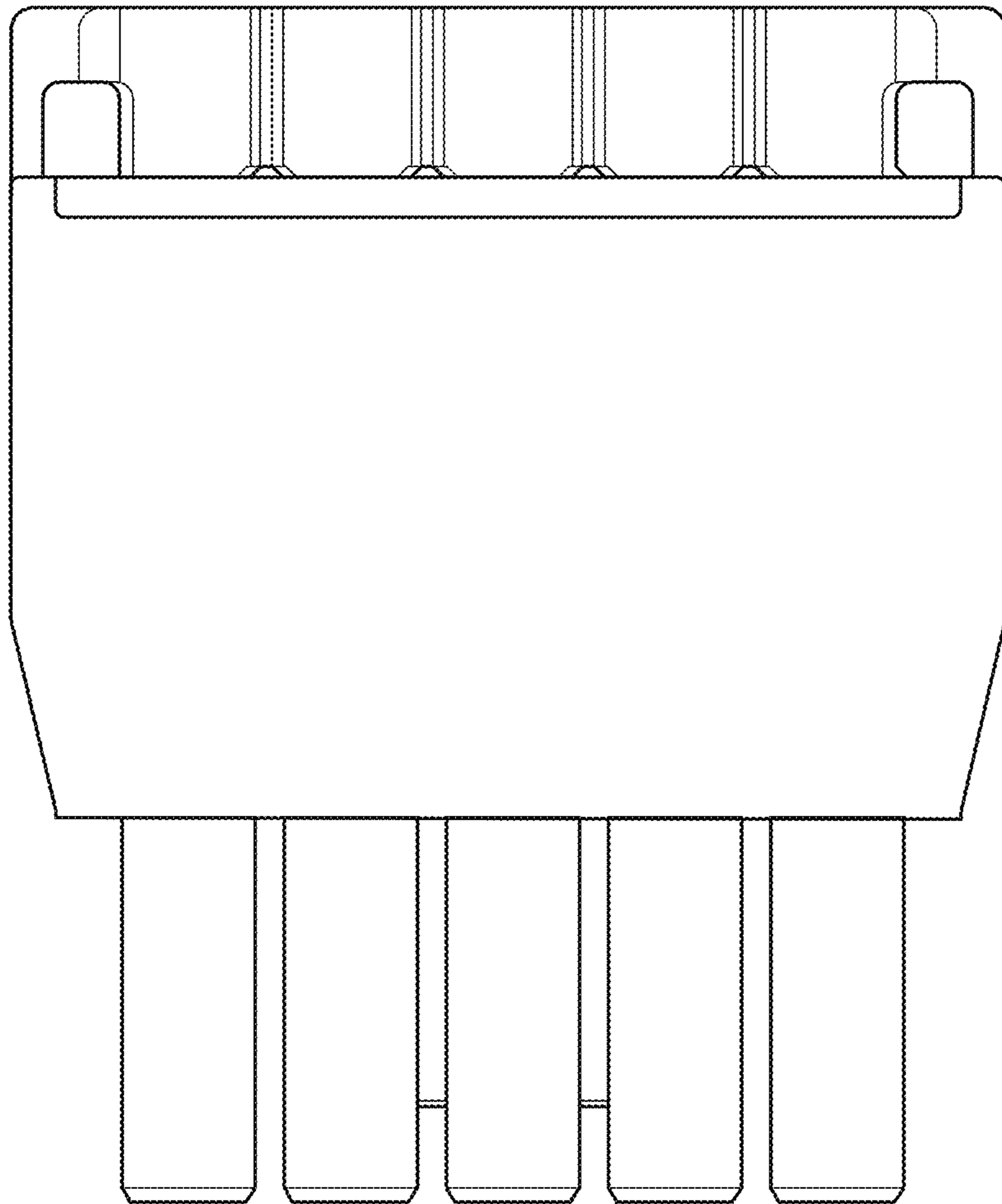


FIG. 28

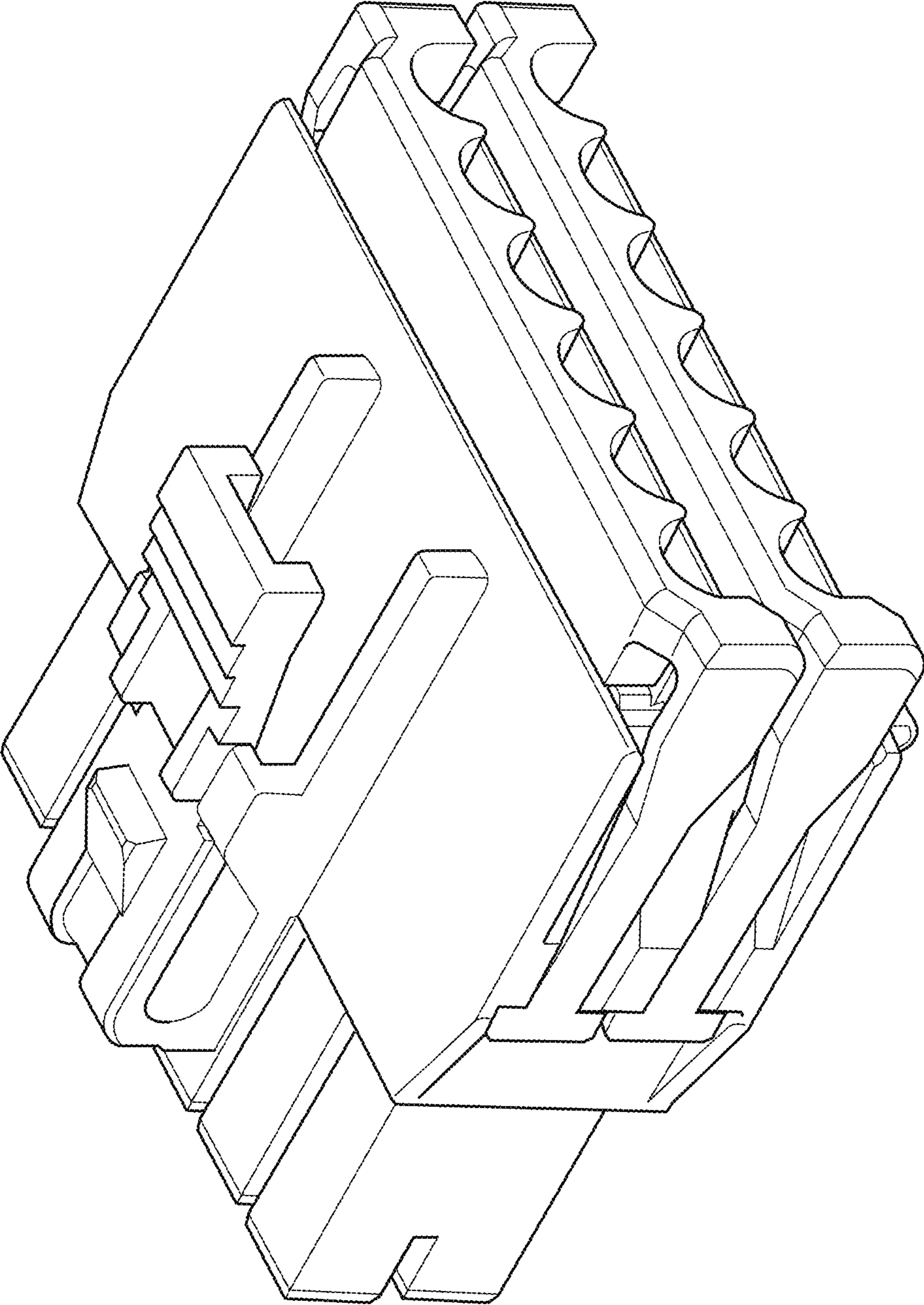


FIG. 29

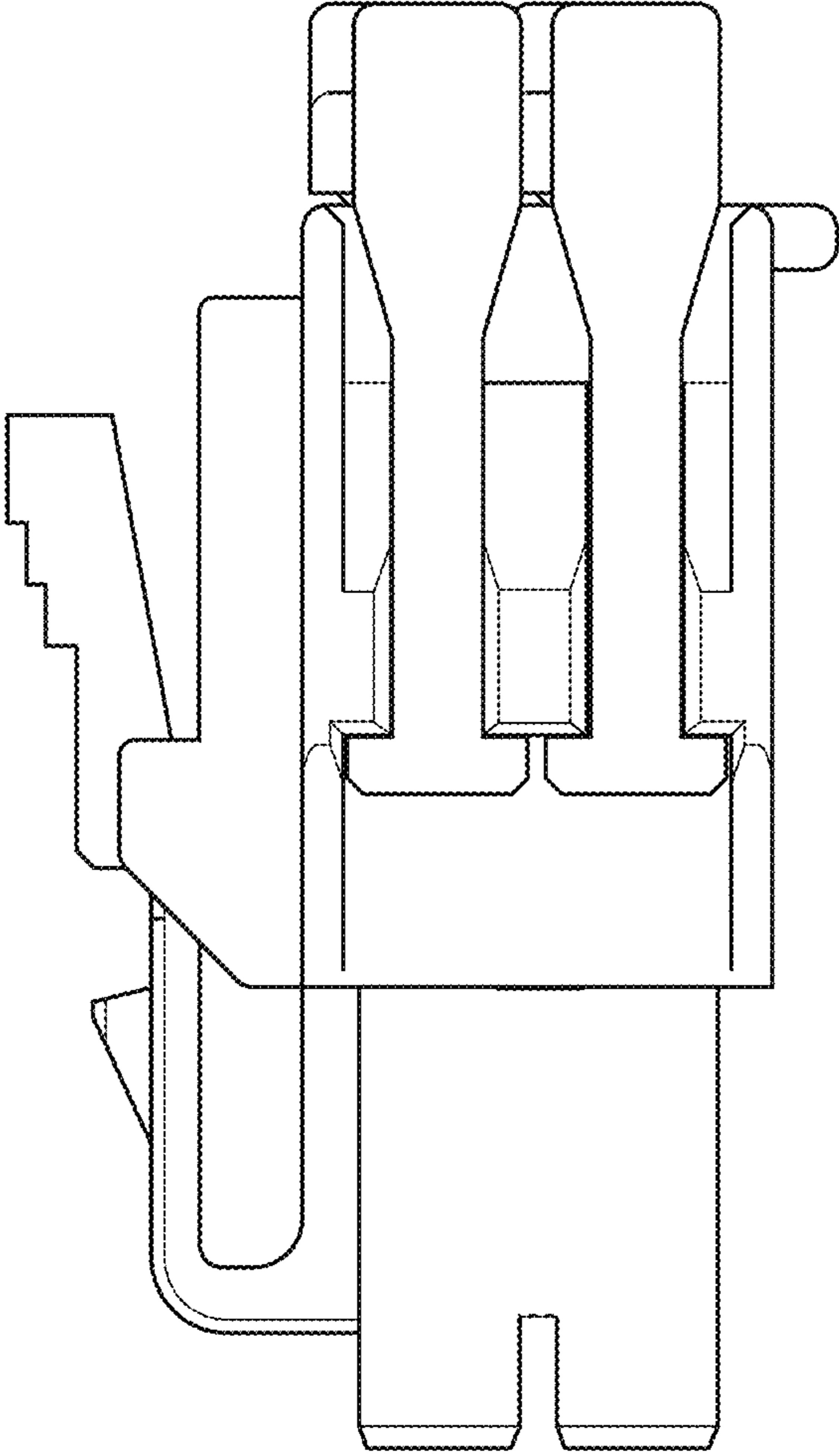


FIG. 30



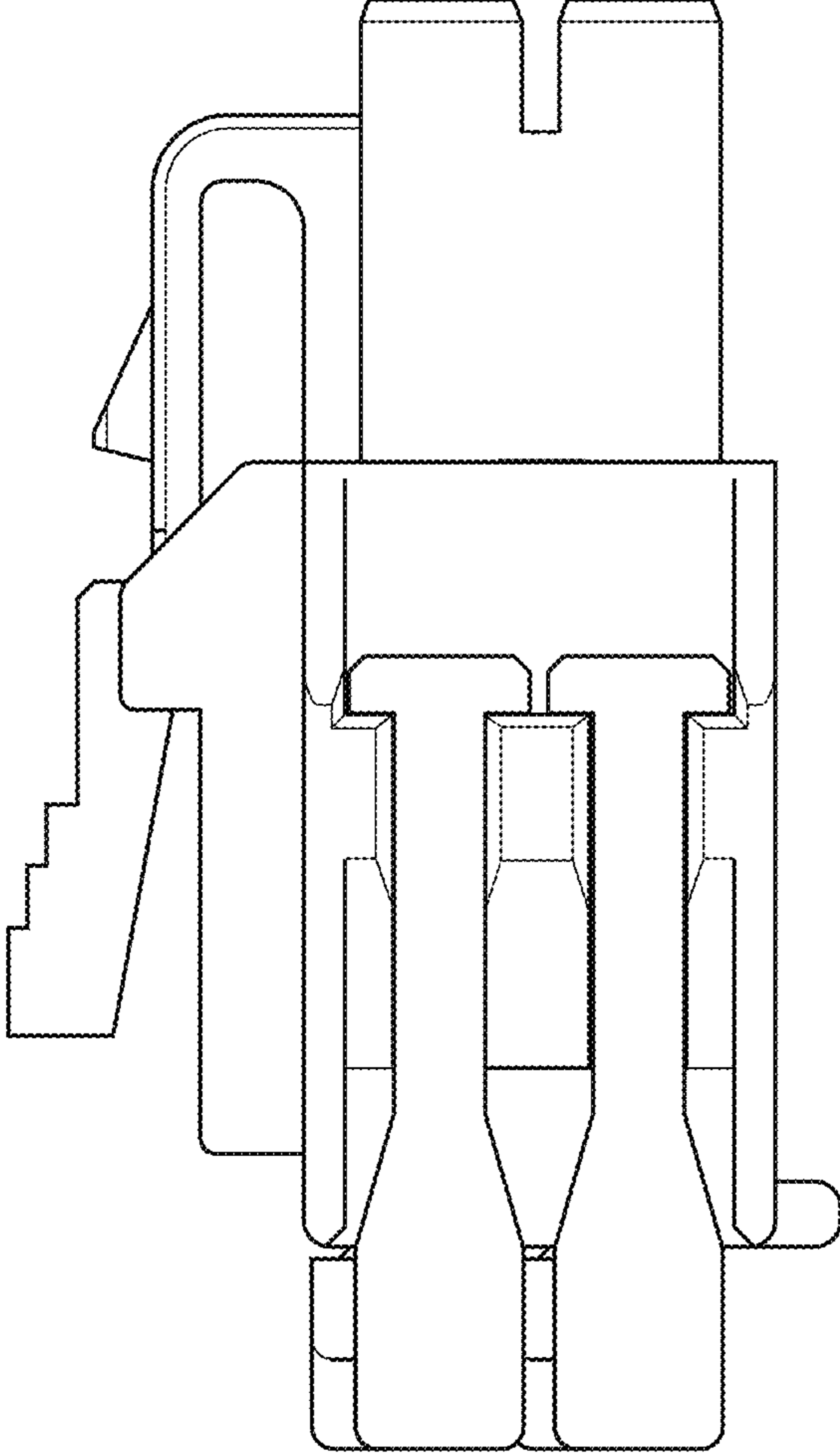


FIG. 31

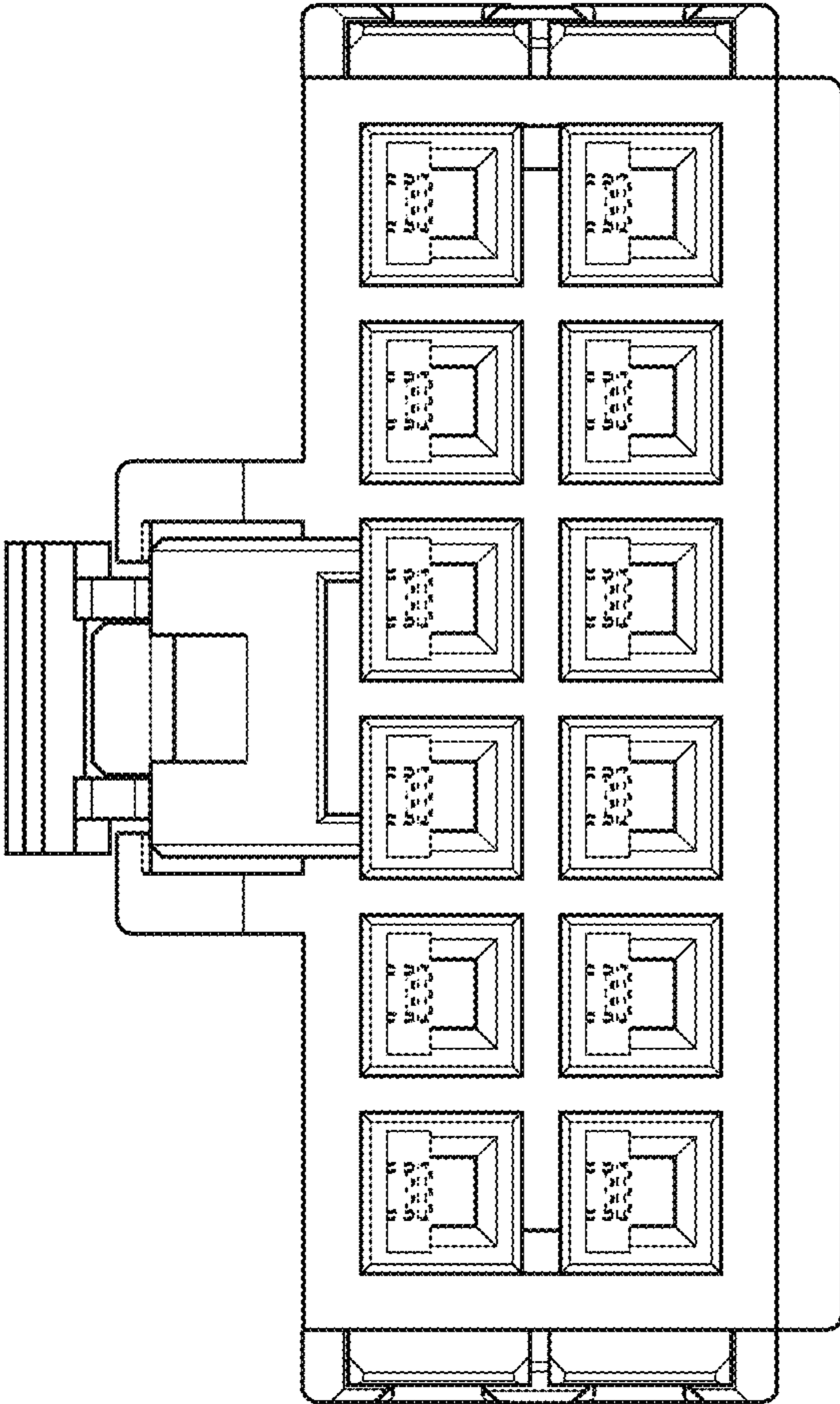


FIG. 32

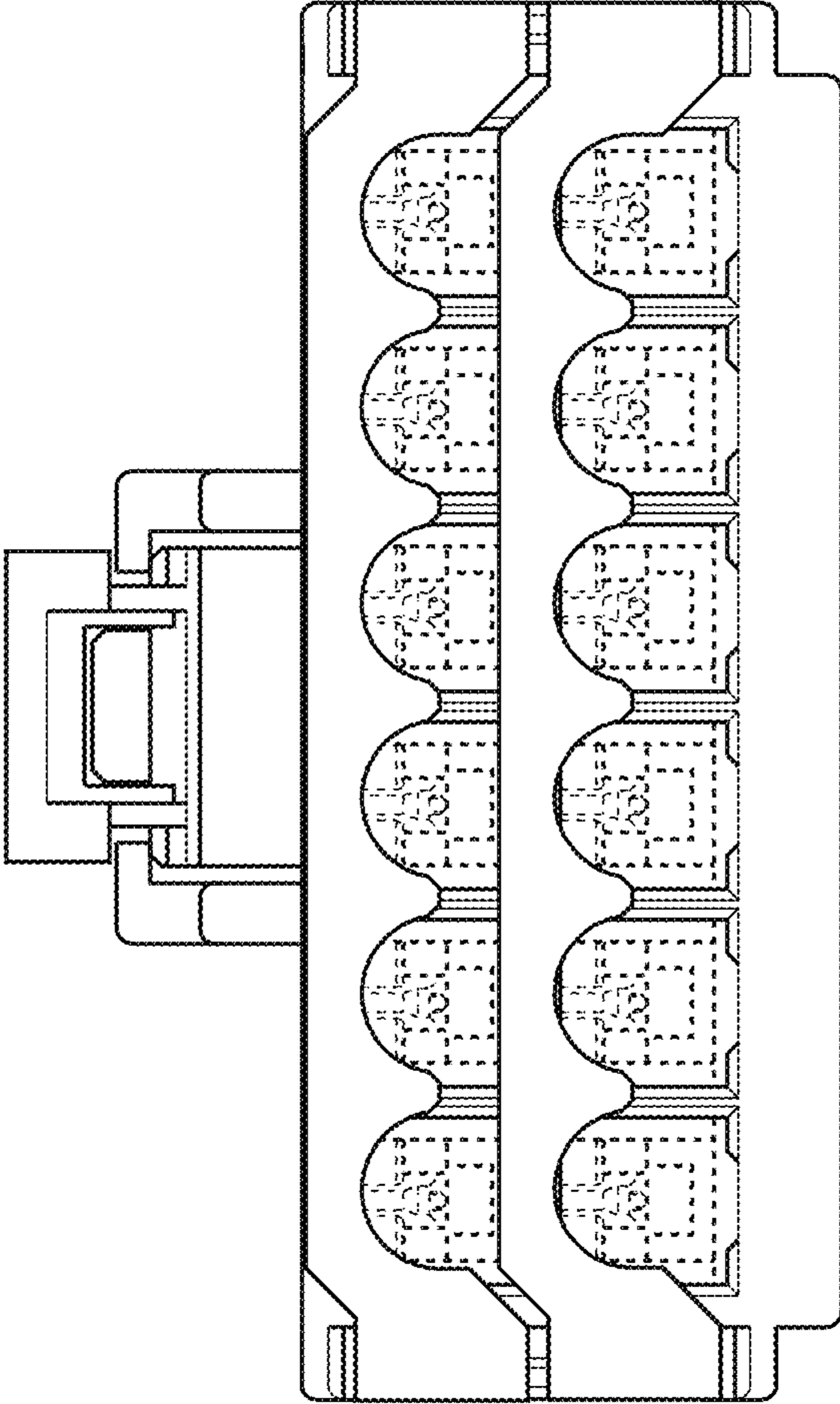


FIG. 33

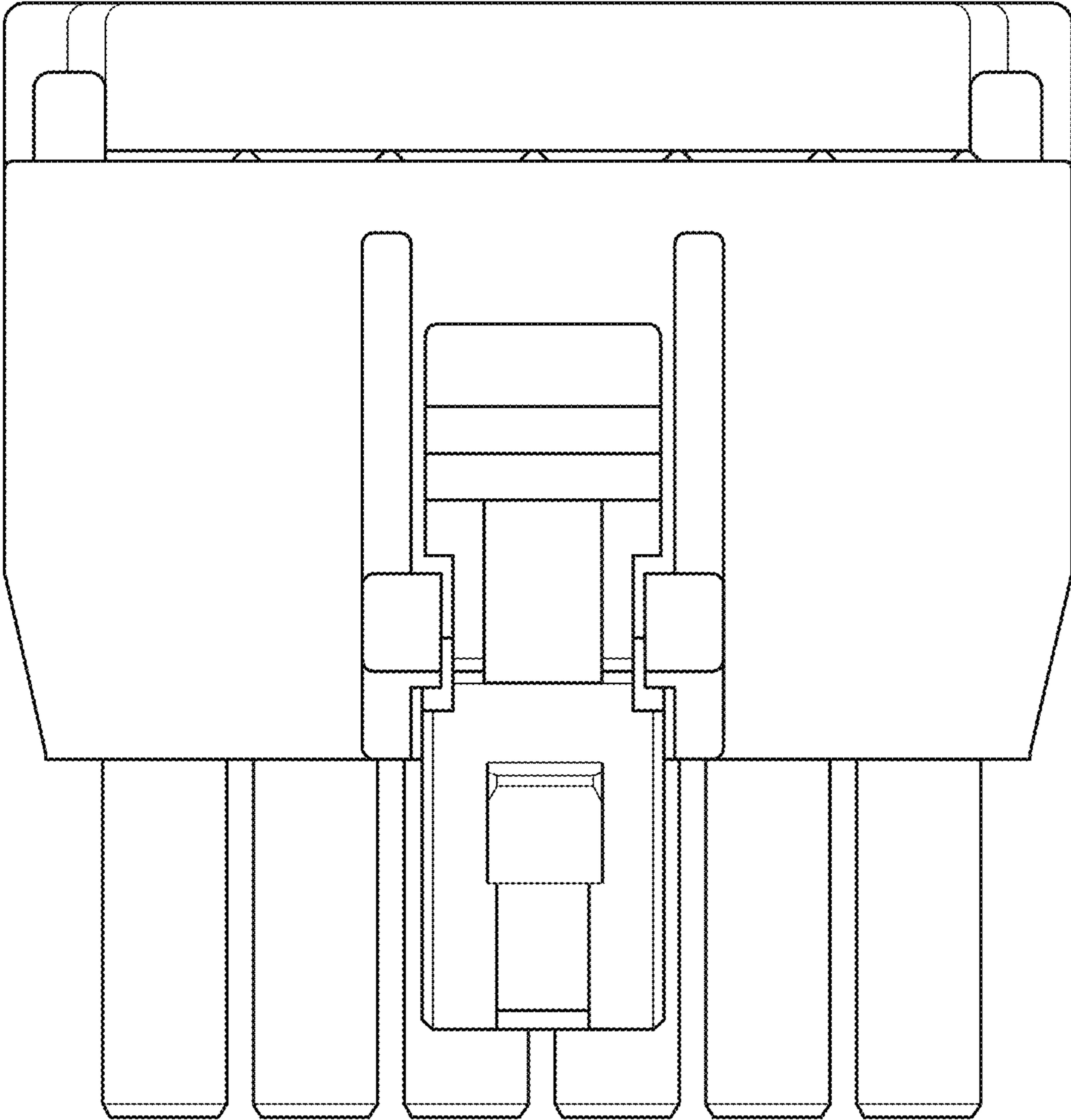


FIG. 34

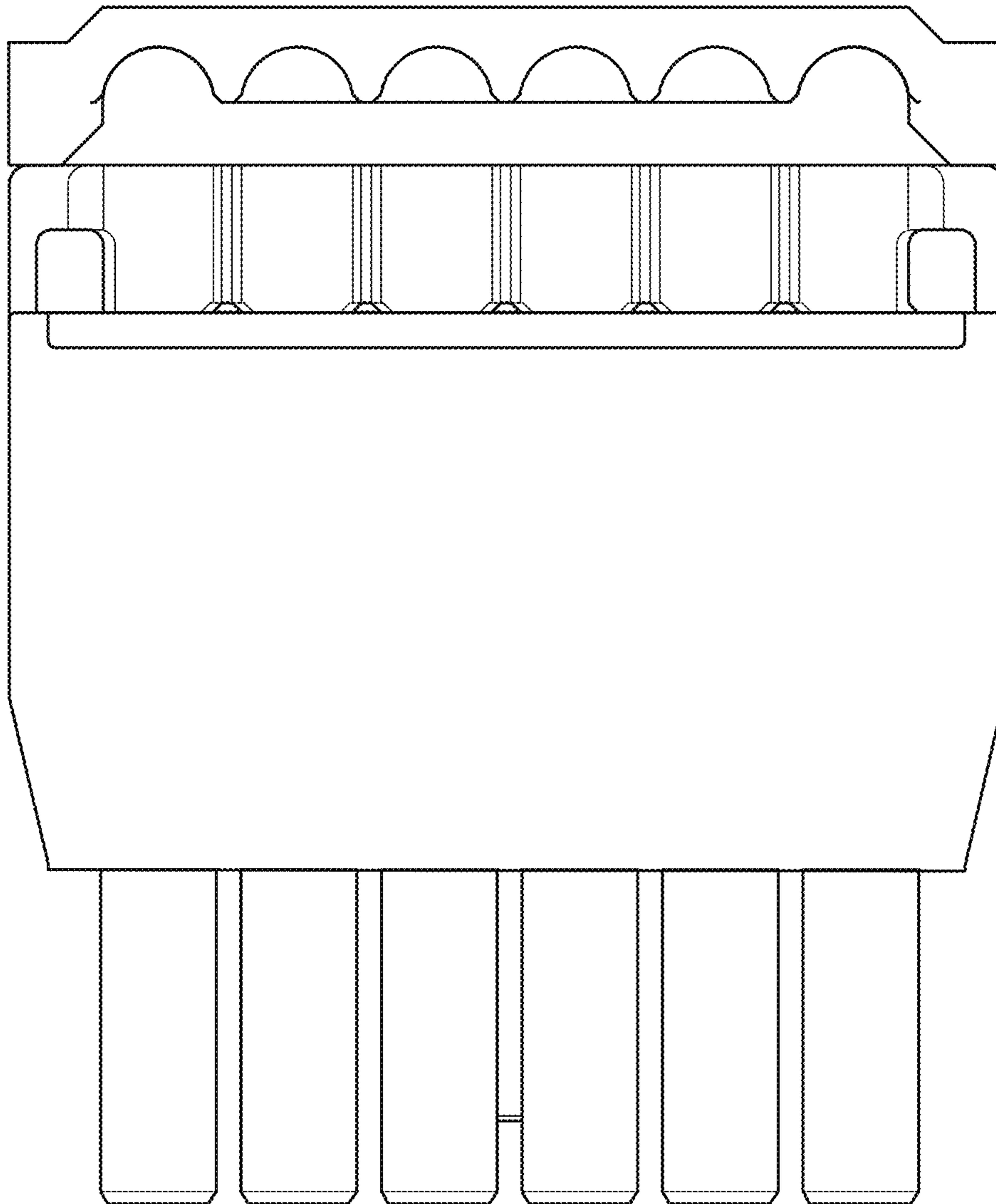


FIG. 35

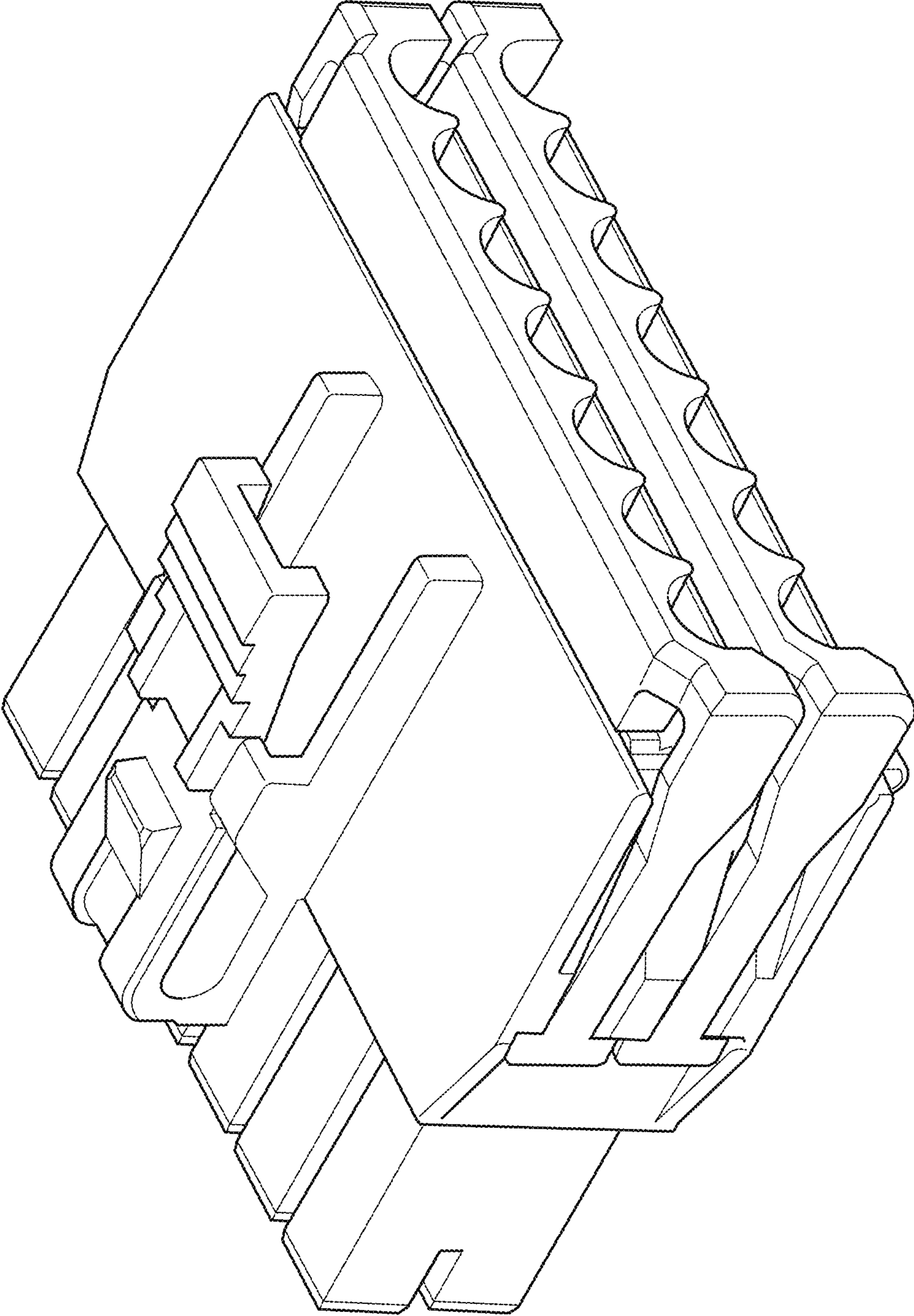


FIG. 36

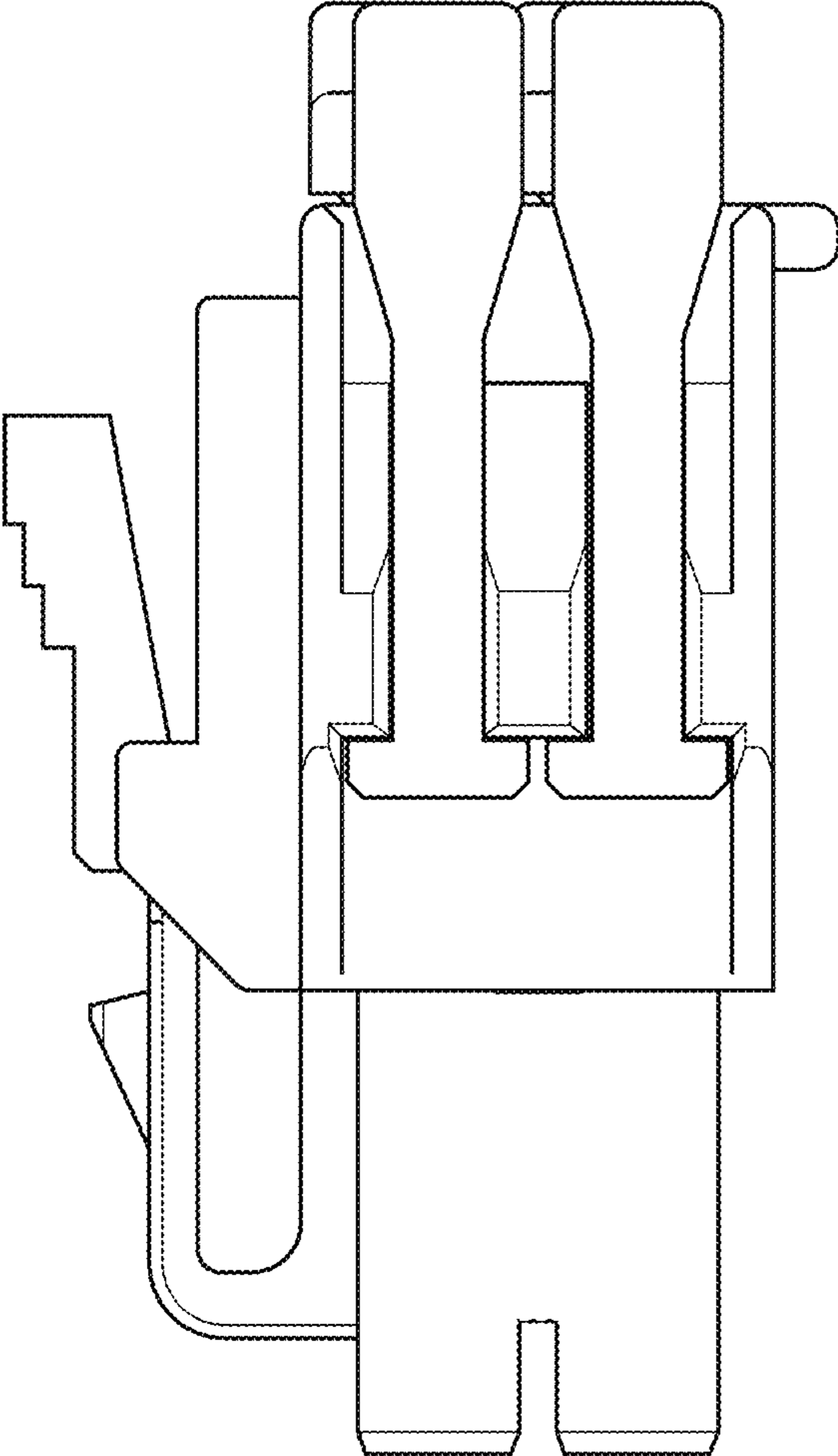


FIG. 37

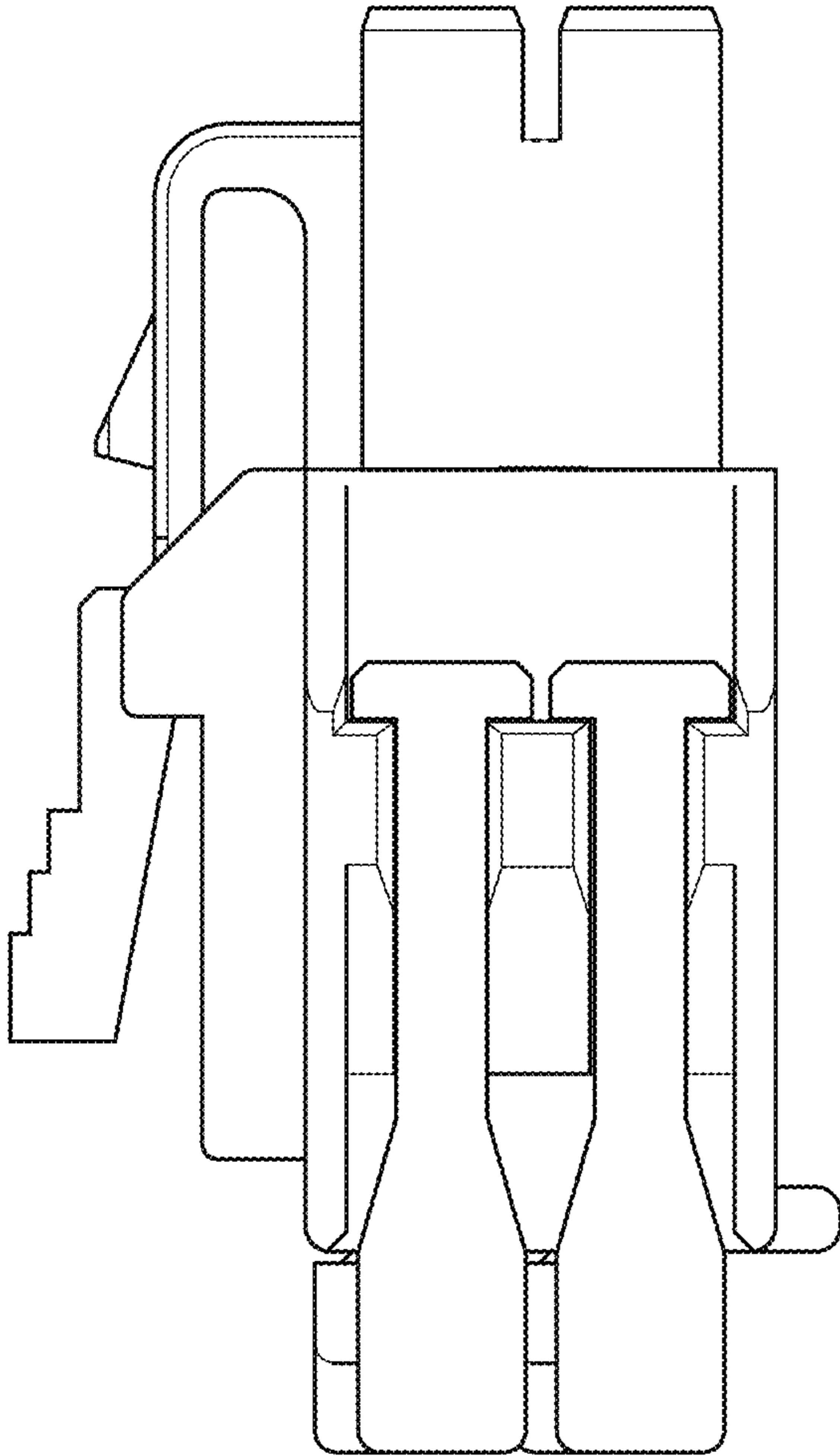


FIG. 38



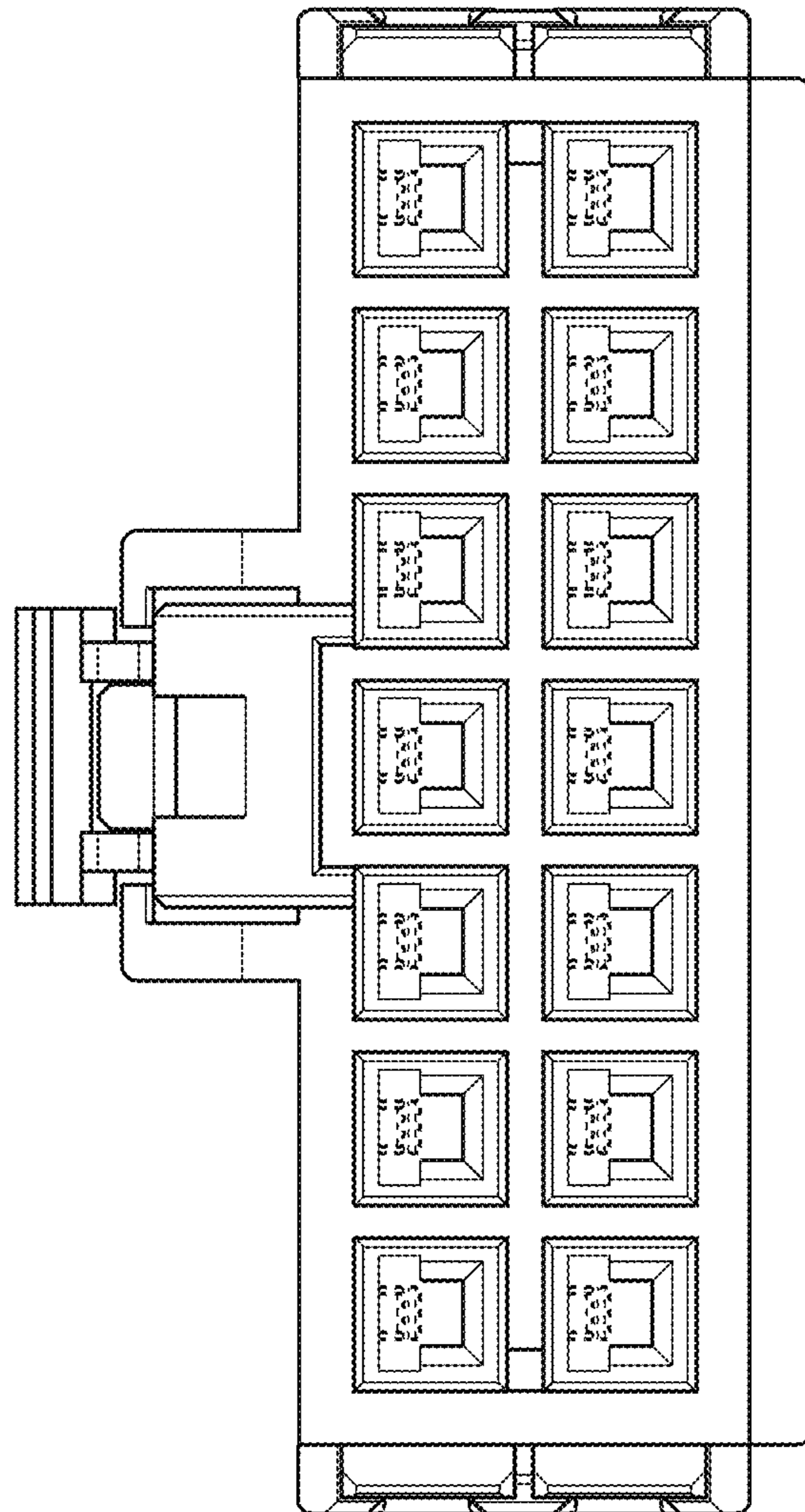


FIG. 39

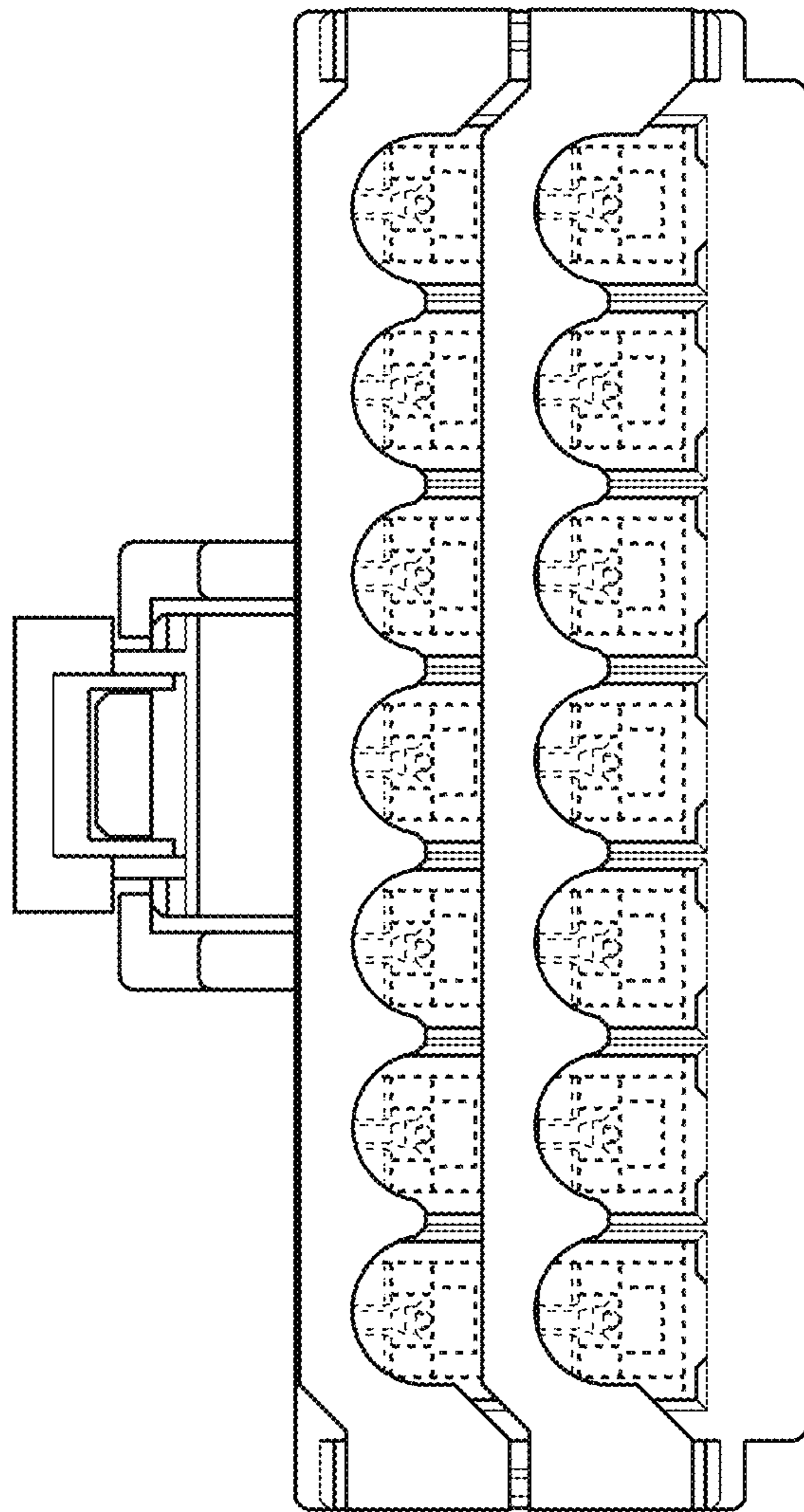


FIG. 40

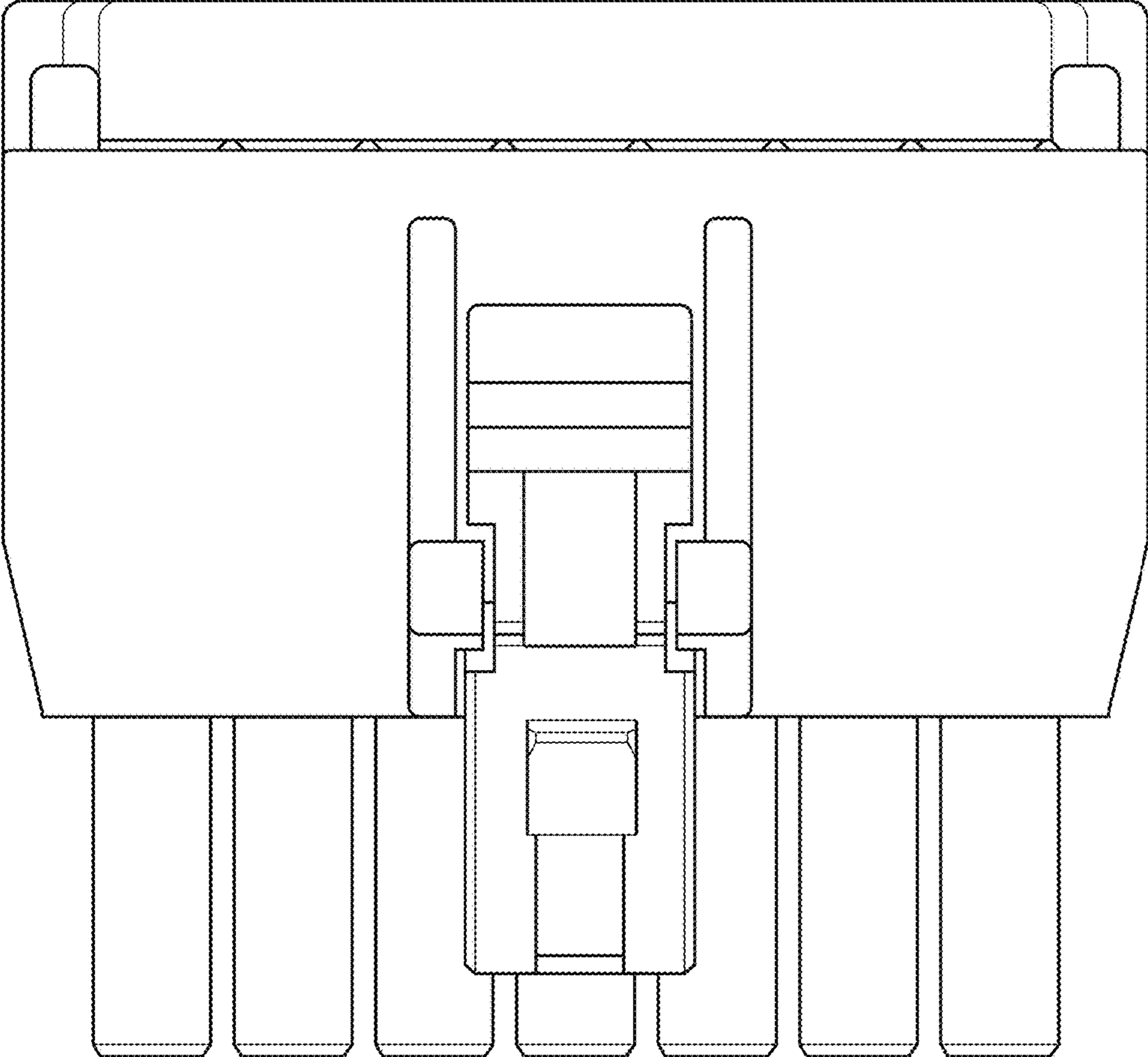


FIG. 41

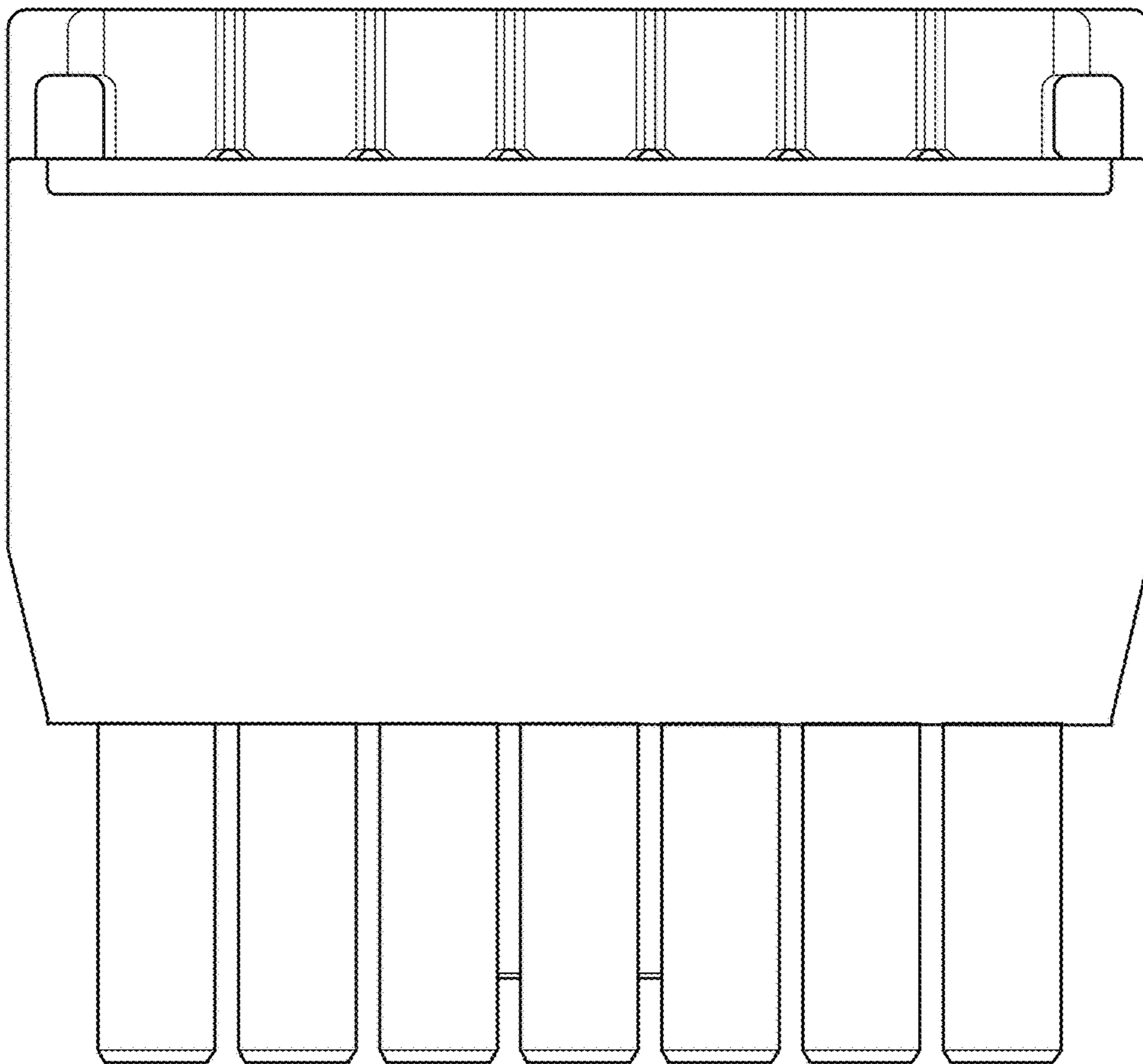


FIG. 42

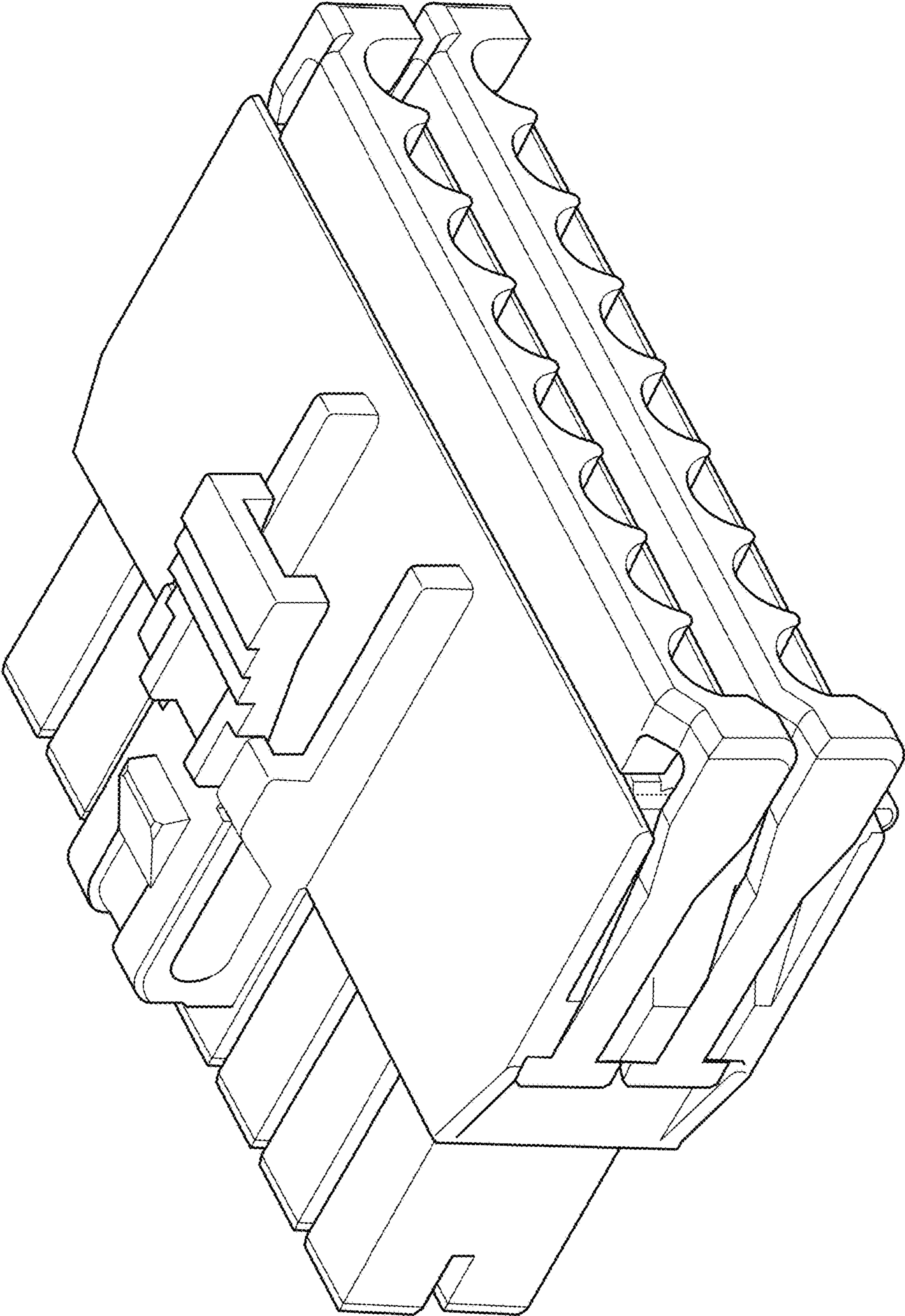


FIG. 43

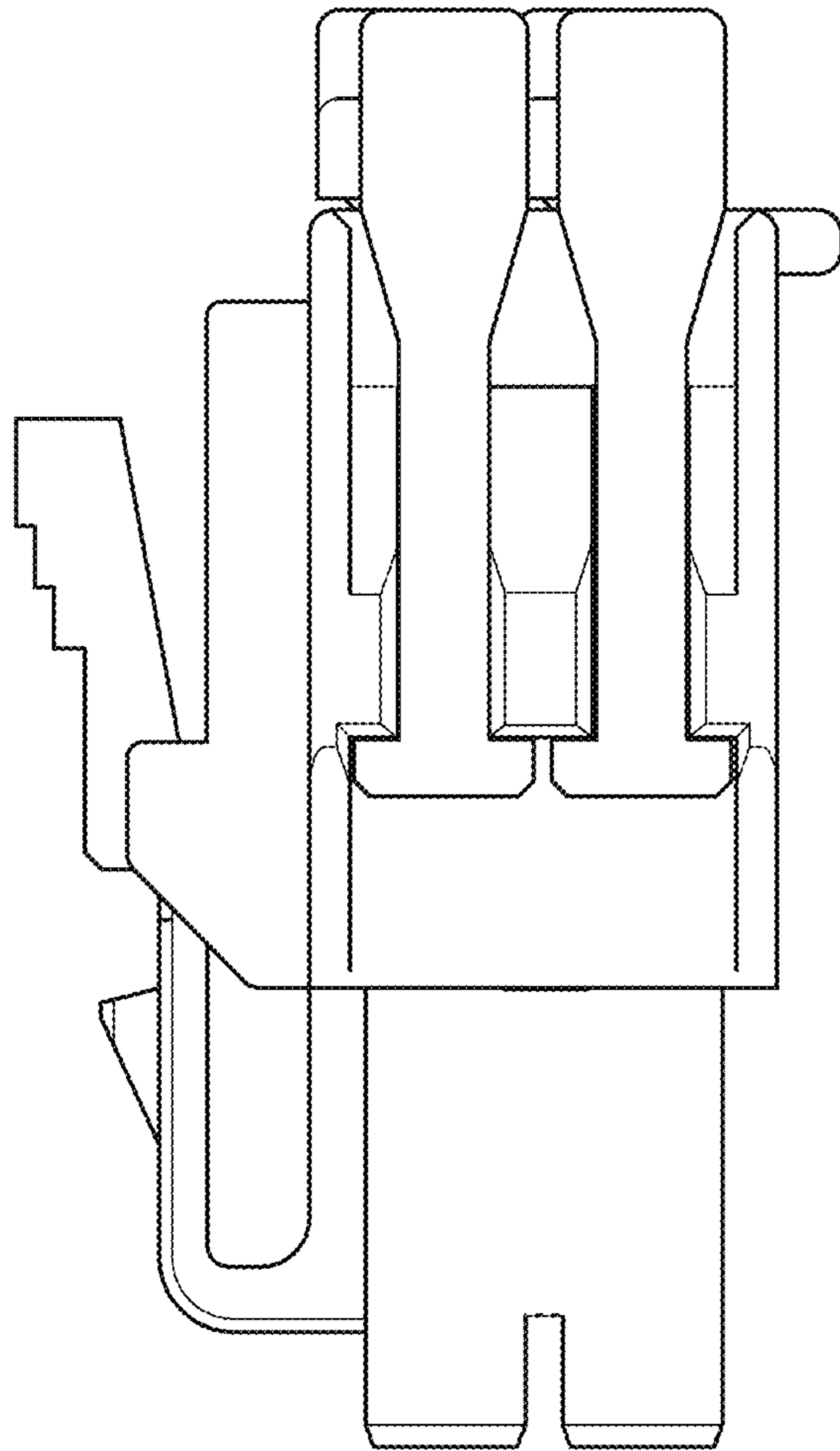


FIG. 44

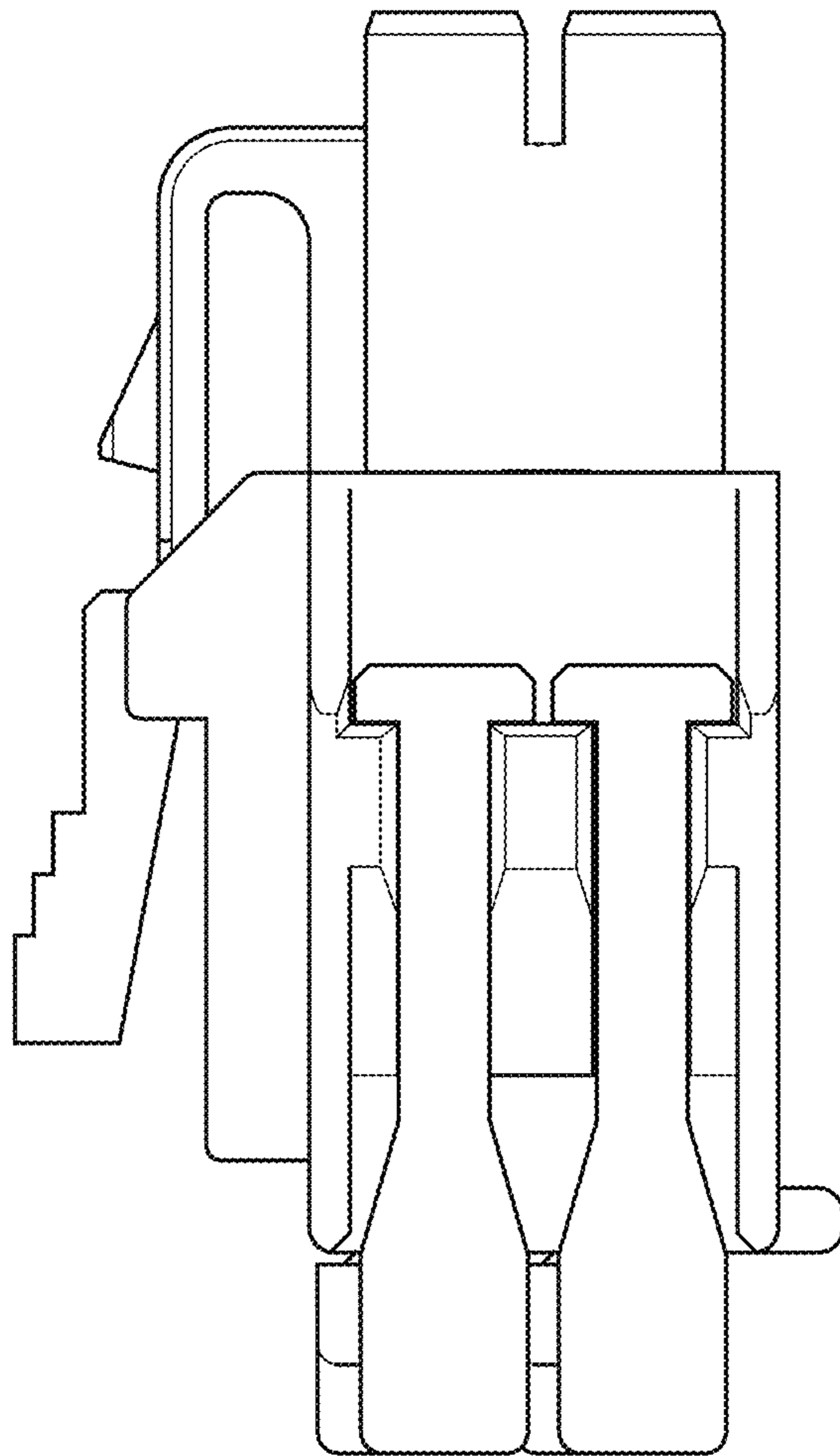


FIG. 45

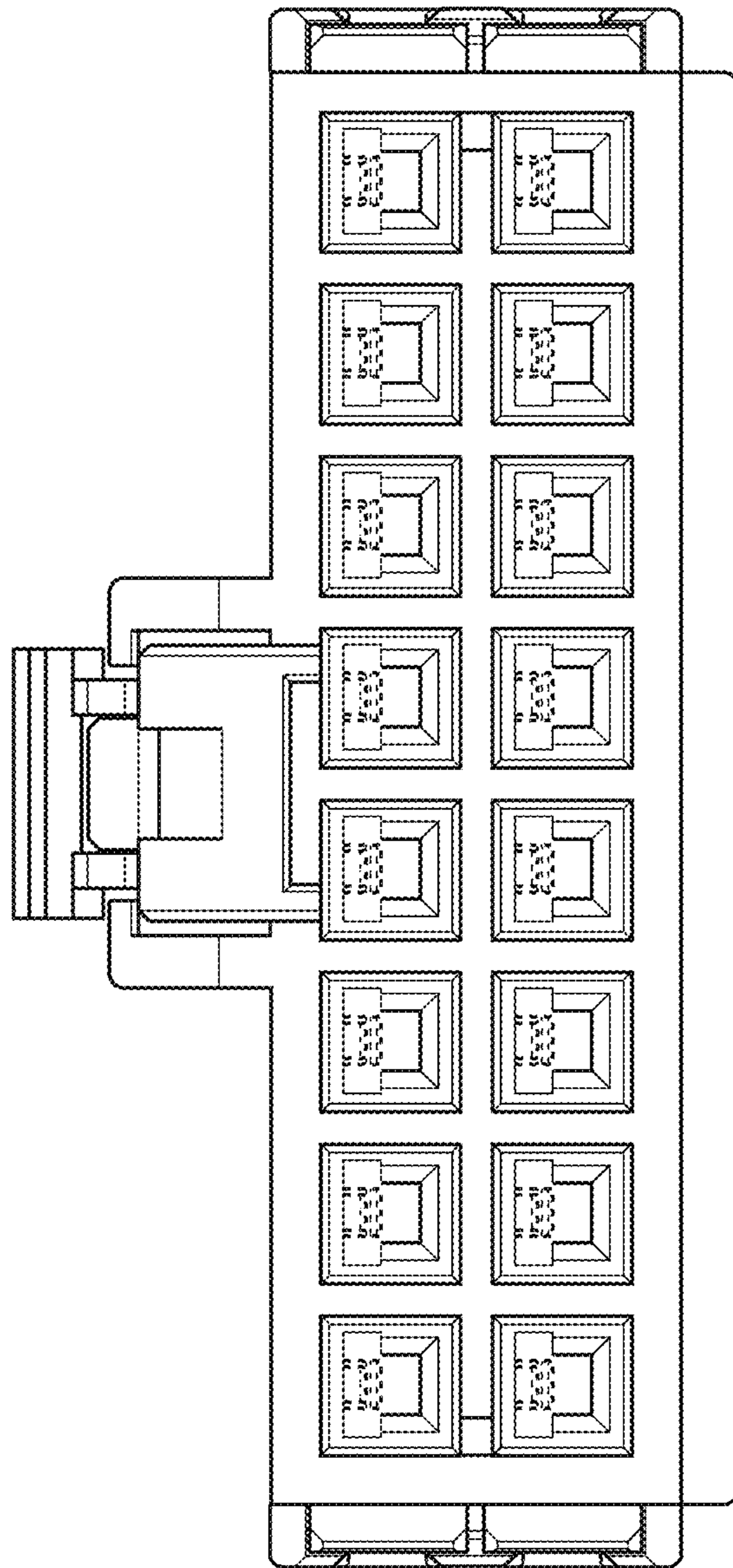


FIG. 46



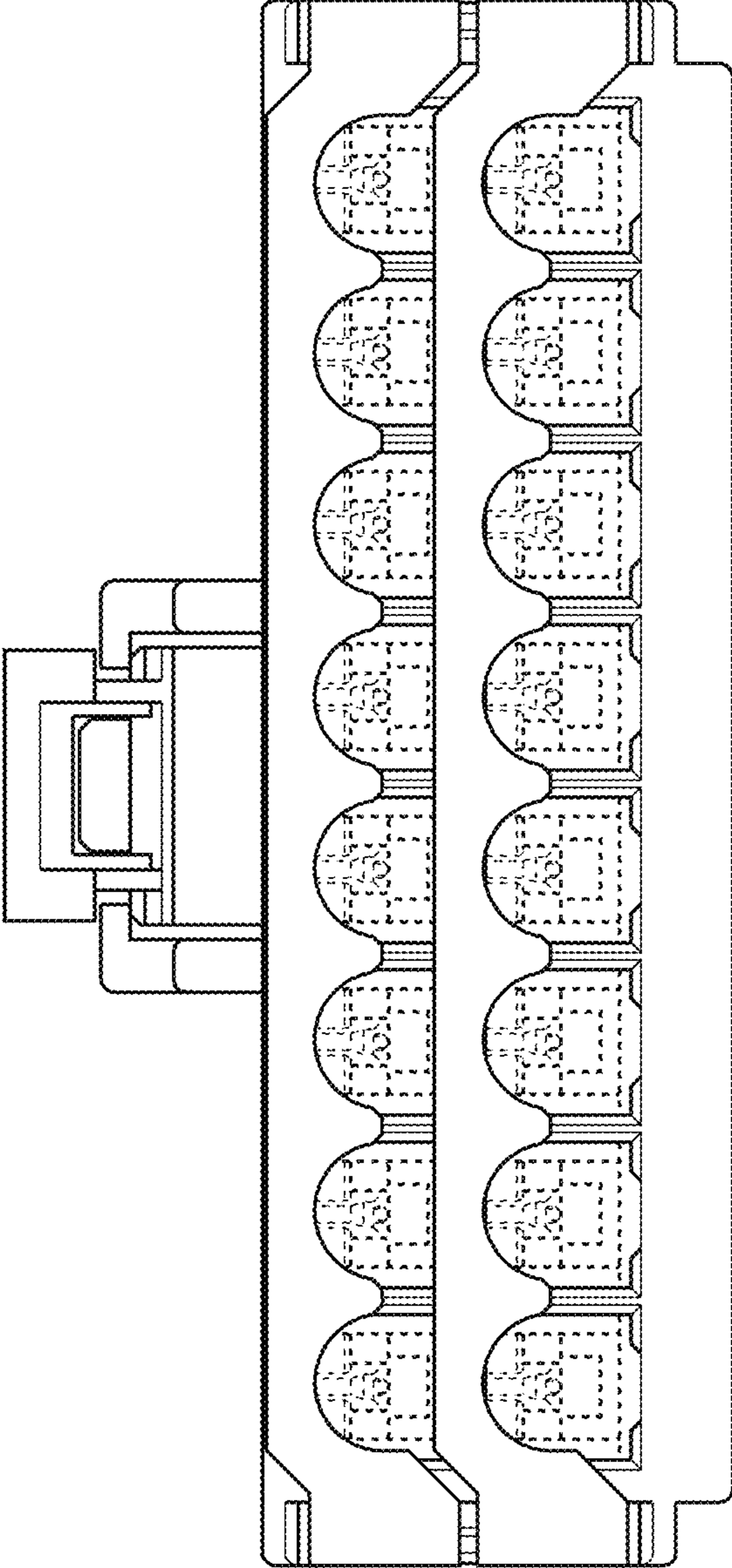


FIG. 47

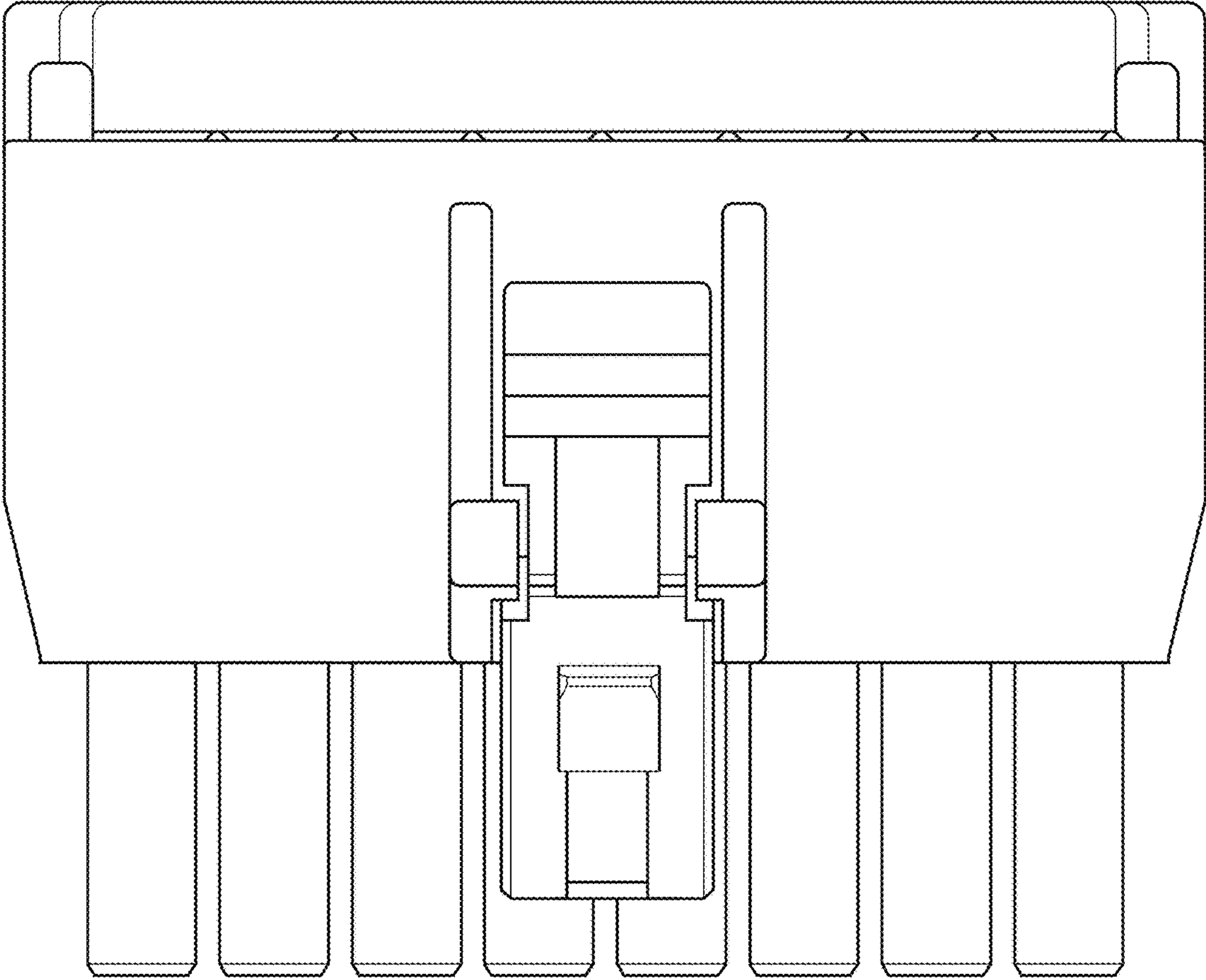


FIG. 48

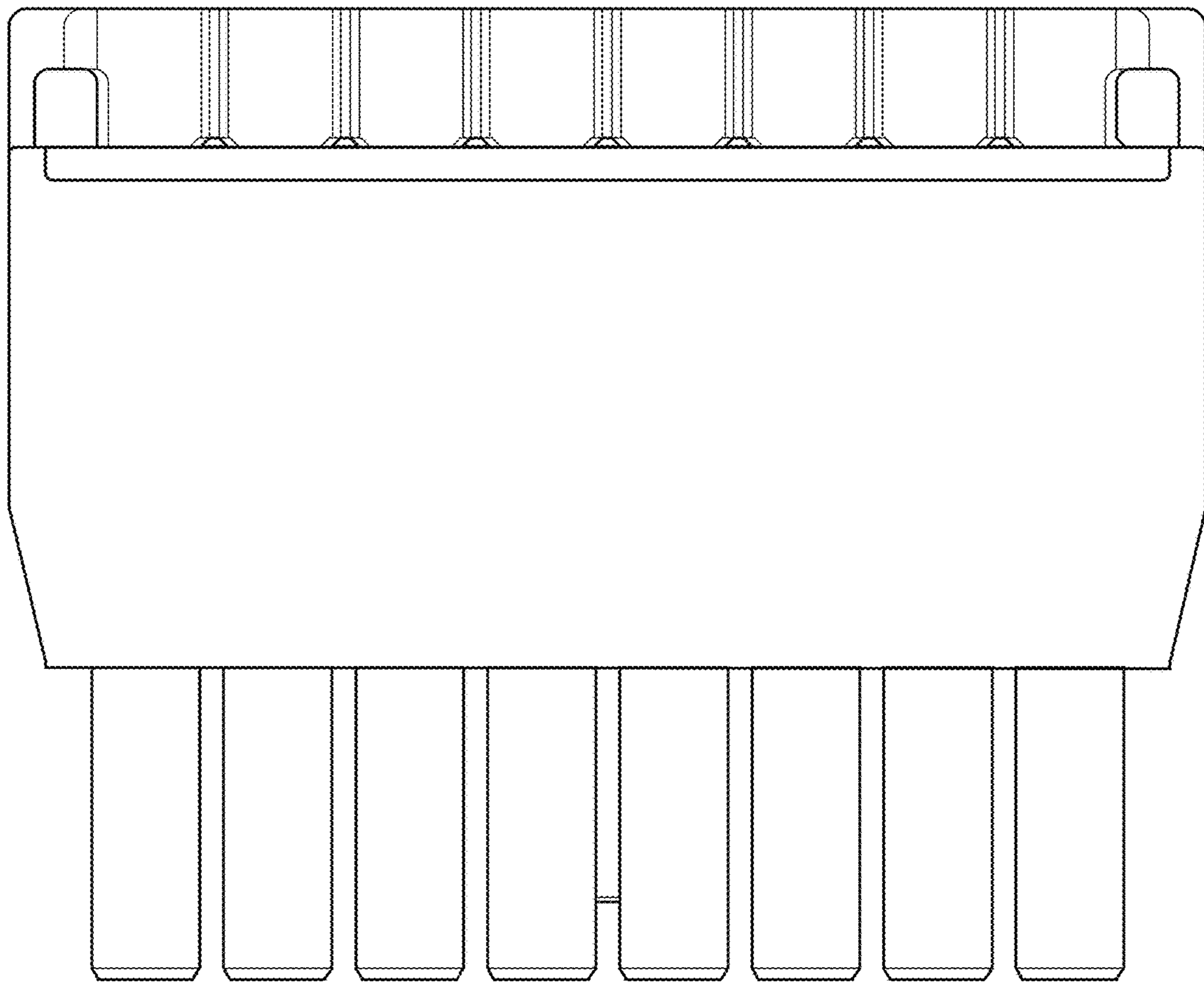


FIG. 49