



US00D803160S

(12) **United States Design Patent** (10) **Patent No.:** **US D803,160 S**  
**Ho'o** (45) **Date of Patent:** **\*\* Nov. 21, 2017**

(54) **ELECTRICAL PLUG RECEPTACLE**

(71) Applicant: **GEHR INDUSTRIES, INC.**, Los Angeles, CA (US)

(72) Inventor: **Galen Ho'o**, Pasadena, CA (US)

(73) Assignee: **Gehr Industries, Inc.**, Los Angeles, CA (US)

(\*\*) Term: **15 Years**

(21) Appl. No.: **29/553,247**

(22) Filed: **Jan. 29, 2016**

(51) **LOC (10) Cl.** ..... **13-03**

(52) **U.S. Cl.**  
USPC ..... **D13/139.1**

(58) **Field of Classification Search**  
USPC ..... D13/138.1–138.2, 133, 146, 147,  
D13/139.1–139.8, 110, 137.1–137.4;  
439/353, 218

CPC . H01R 13/6273; H01R 13/052; G02B 5/3083  
See application file for complete search history.

(56) **References Cited**

**U.S. PATENT DOCUMENTS**

- D292,281 S \* 10/1987 Poliak ..... D13/138.2
- 5,069,634 A \* 12/1991 Chiarolanzio ..... H01R 13/6273  
439/353
- D337,989 S \* 8/1993 Lee ..... D13/133
- D368,250 S \* 3/1996 Castaldo ..... D13/156
- 5,556,292 A \* 9/1996 Kato ..... H01R 13/052  
439/218
- D375,081 S \* 10/1996 Sandor ..... D13/139.1

- D411,170 S \* 6/1999 Deutsch ..... D13/146
- 5,921,799 A 7/1999 Forrester
- D413,100 S \* 8/1999 Nakazawa ..... D13/146
- D539,743 S \* 4/2007 Langer ..... D13/147
- D591,680 S \* 5/2009 Ho'o ..... D13/137.4
- D594,417 S \* 6/2009 Ho'o ..... D13/138.1
- D594,823 S \* 6/2009 Ho'o ..... D13/139.1
- D602,434 S \* 10/2009 Mancari ..... D13/139.1
- D705,730 S \* 5/2014 Kretzschmar ..... D13/110
- D782,419 S \* 3/2017 Willette ..... D13/134

\* cited by examiner

*Primary Examiner* — Rhea Shields

(74) *Attorney, Agent, or Firm* — Lewis Roca Rothgerber Christie LLP

(57) **CLAIM**

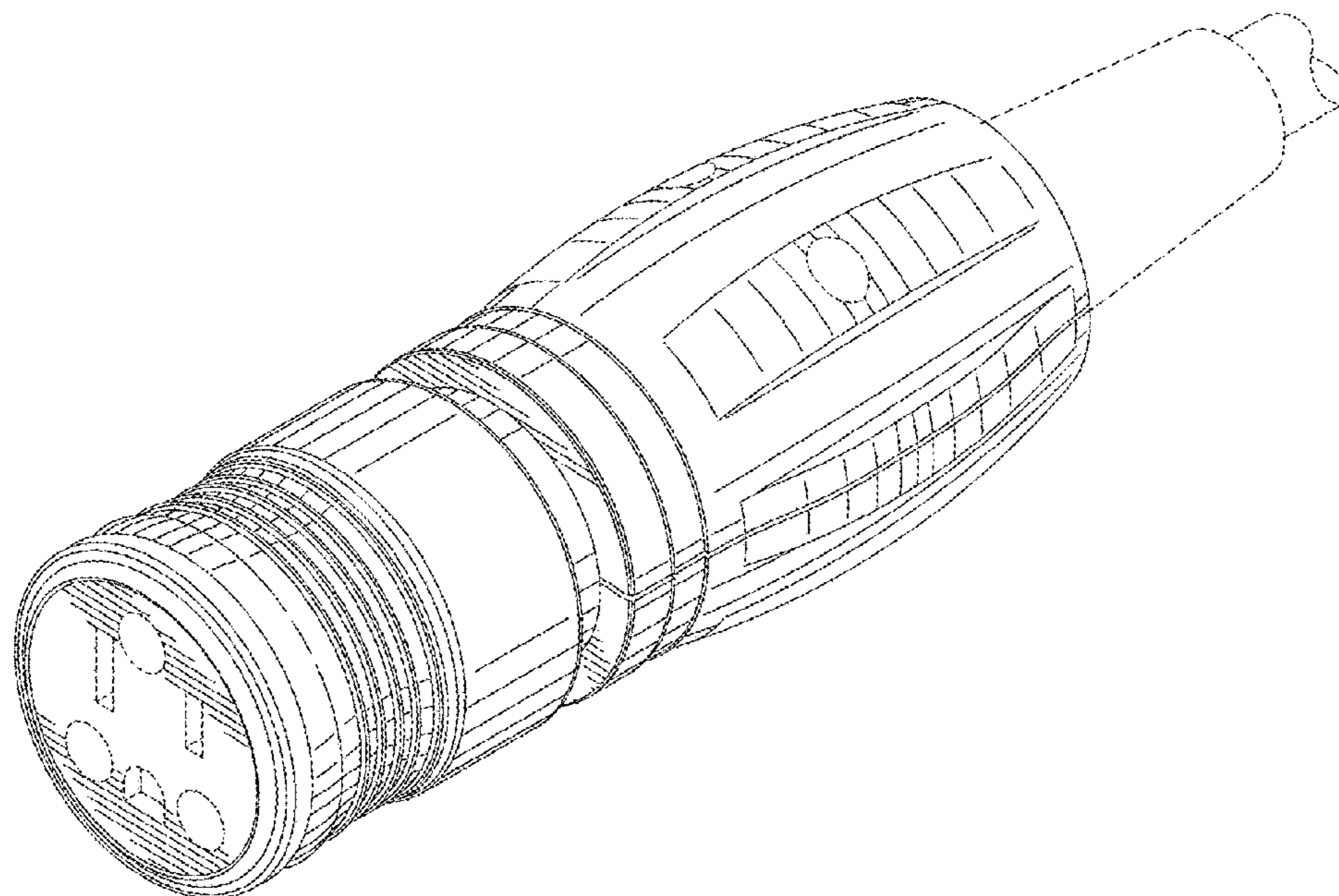
The ornamental design for an electrical plug receptacle, as shown and described.

**DESCRIPTION**

FIG. 1 is a perspective view of the electrical plug receptacle; FIG. 2 is a left side view thereof; FIG. 3 is a right side view thereof; FIG. 4 is a front view thereof; FIG. 5 is a back view thereof; FIG. 6 is a bottom side view thereof; and, FIG. 7 is a top side view thereof.

In the drawings, the broken lines are for the purpose of illustrating environment only and form no part of the claimed design.

**1 Claim, 6 Drawing Sheets**



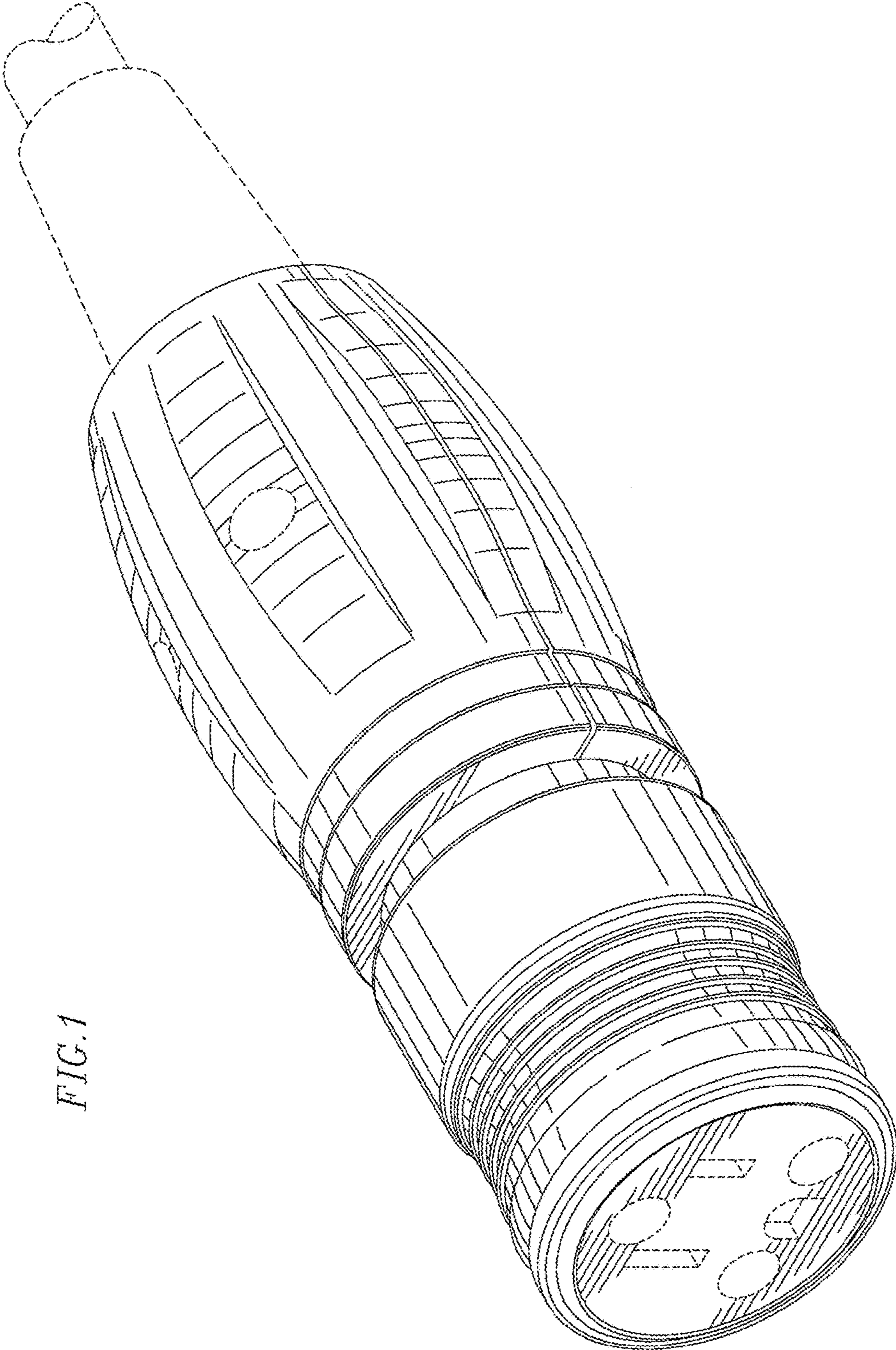


FIG. 1



FIG. 2

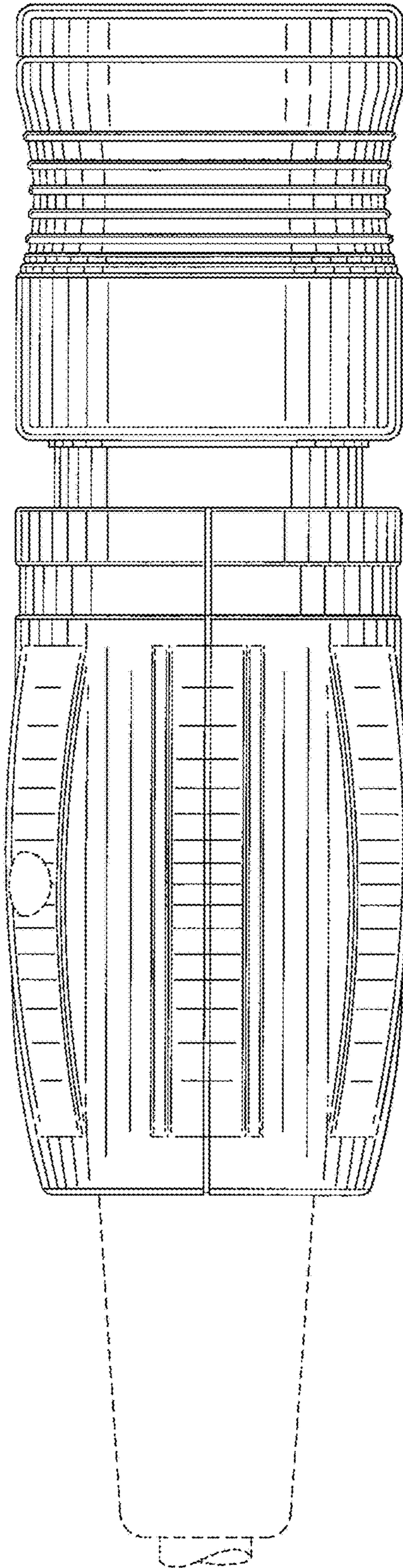


FIG. 3

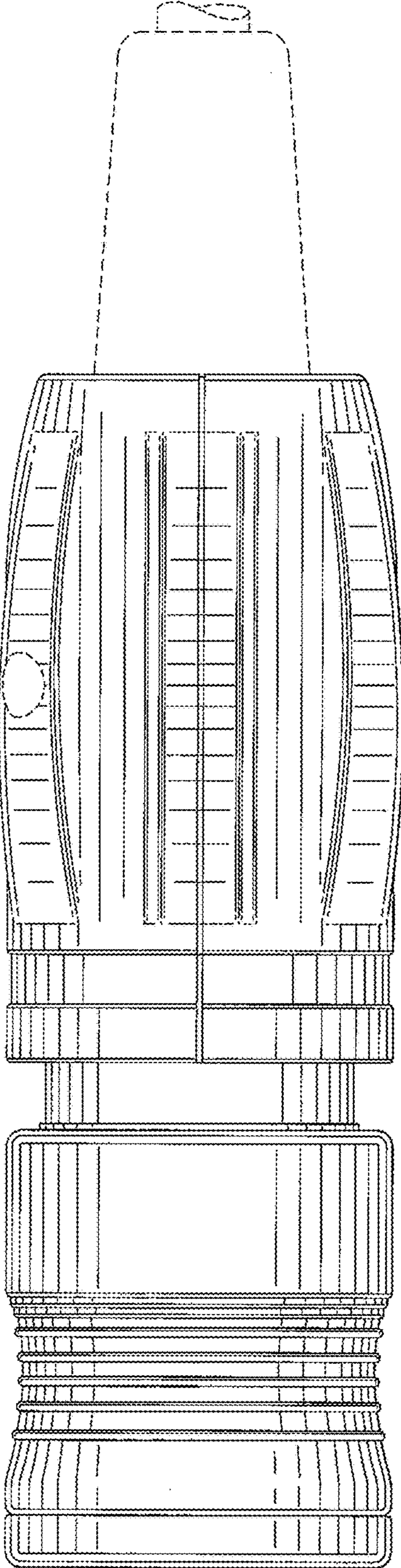


FIG. 5

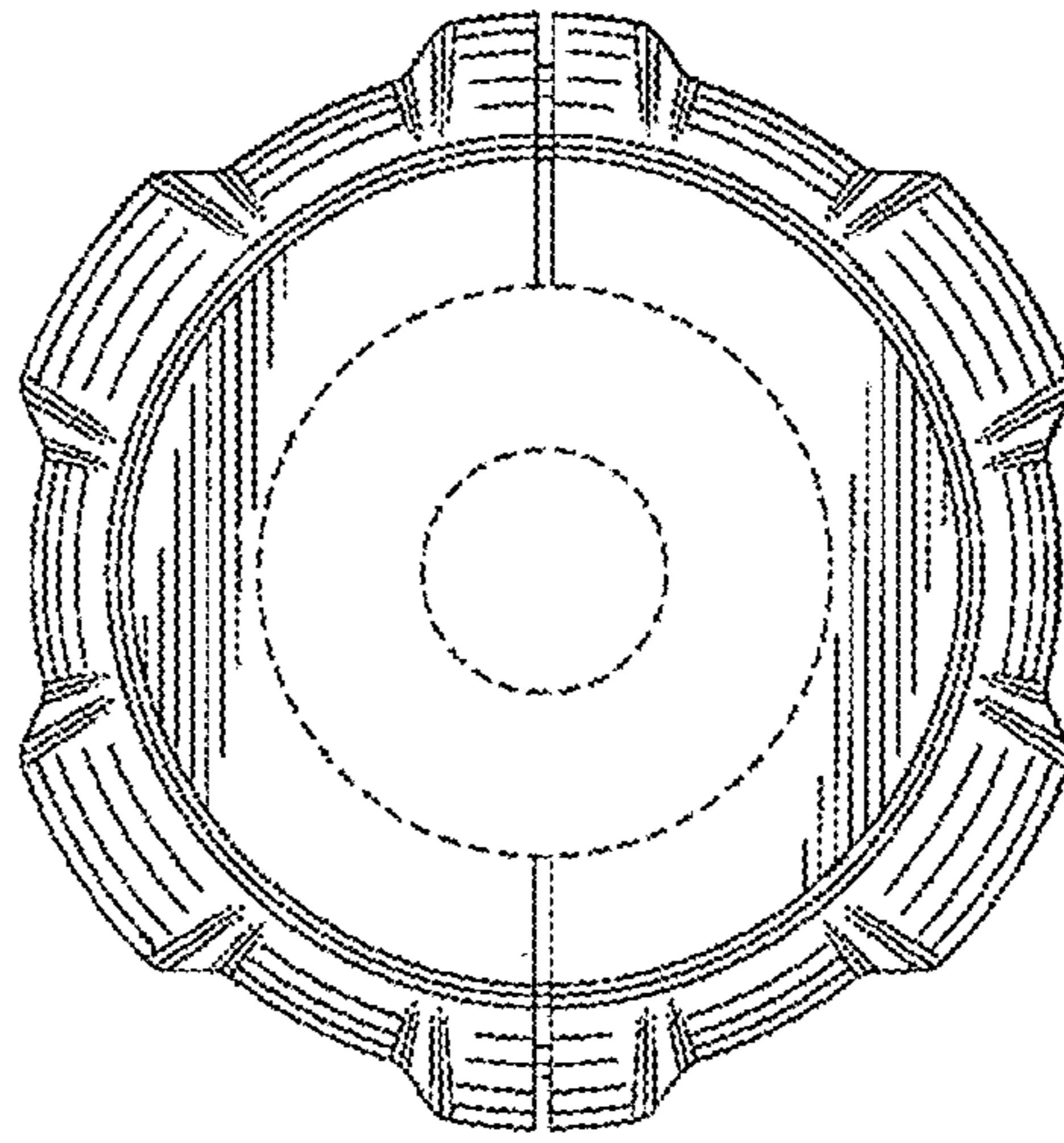


FIG. 4

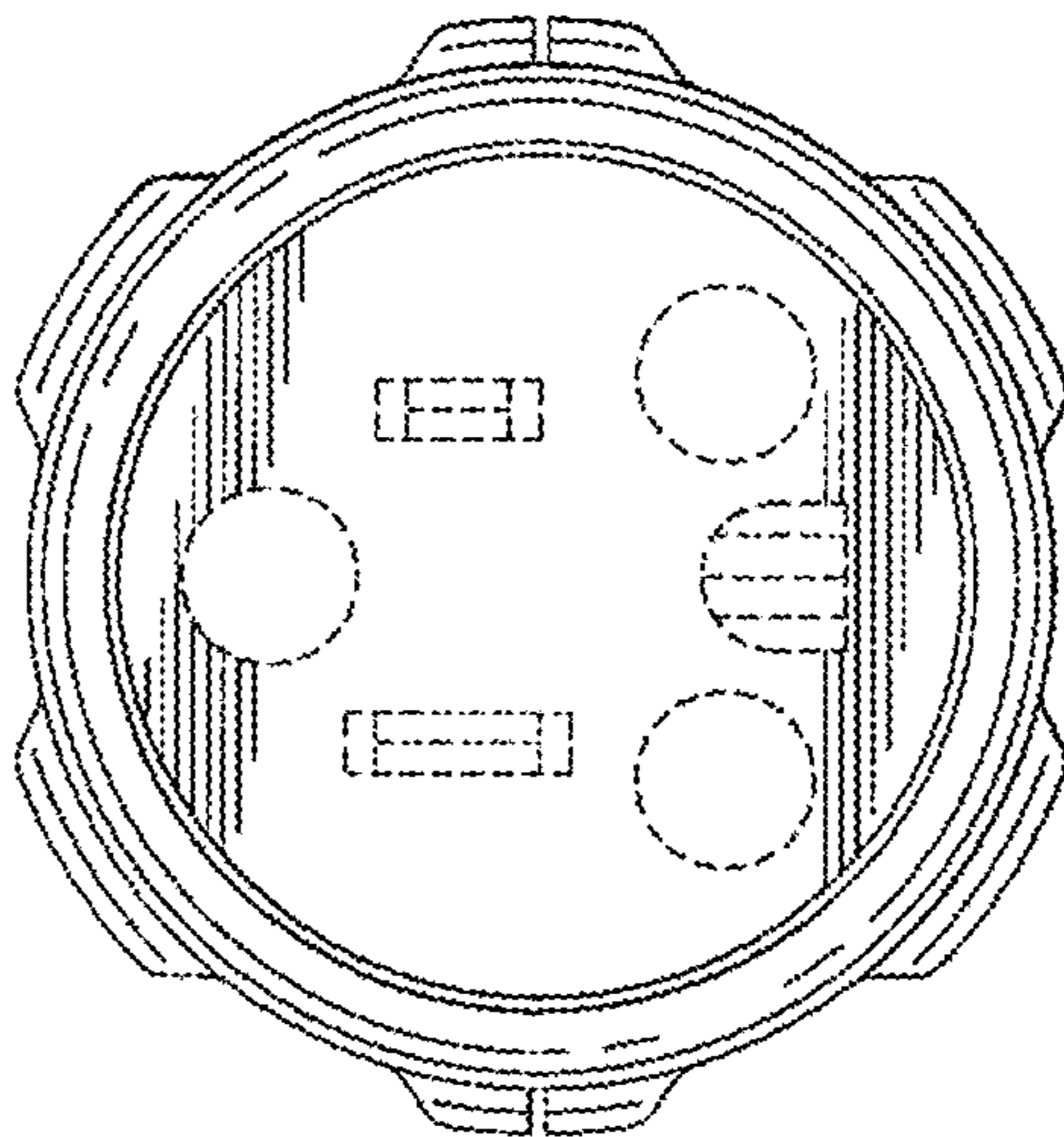




FIG. 6

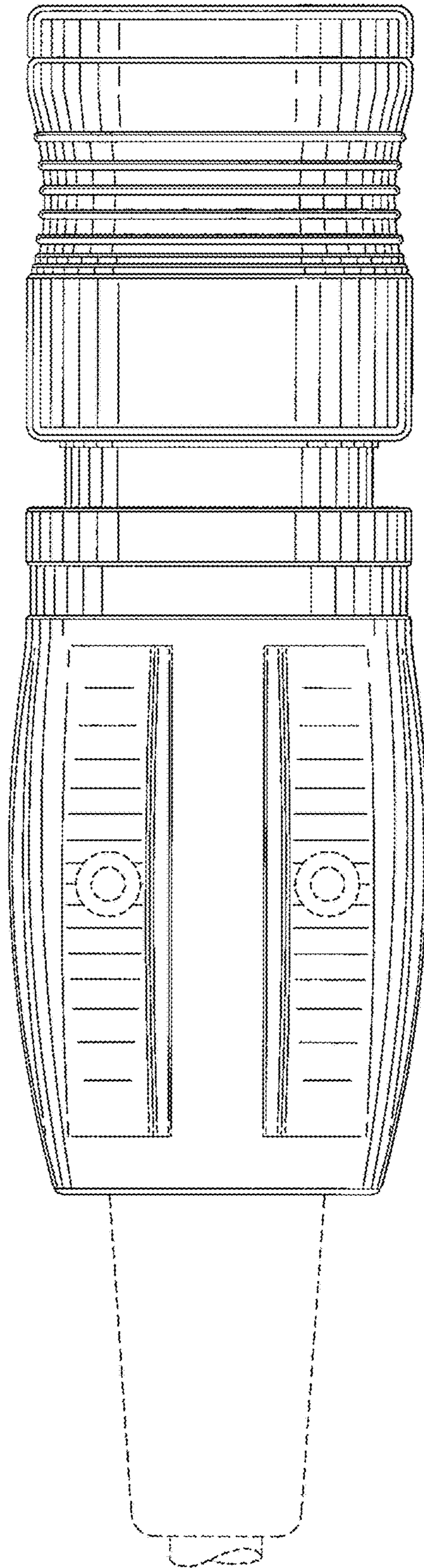


FIG. 7

