



US00D803159S

(12) **United States Design Patent** (10) **Patent No.:** **US D803,159 S**  
**Ann et al.** (45) **Date of Patent:** **\*\* Nov. 21, 2017**

(54) **POWER PLUG**

D708,149 S \* 7/2014 Auguste ..... D13/156  
D760,167 S \* 6/2016 Kusano ..... D13/138.1  
D777,672 S \* 1/2017 Park ..... D13/138.1

(71) Applicant: **SAMSUNG ELECTRONICS CO., LTD.**, Suwon-si (KR)

**FOREIGN PATENT DOCUMENTS**

(72) Inventors: **Sungjin Ann**, Seoul (KR); **Jinho Choi**, Seoul (KR)

CN 201230185964 9/2012  
KR 30-2004-0004471 3/2005  
KR 30-2015-0064334 9/2015

(73) Assignee: **Samsung Electronics Co., Ltd.**, Suwon-si (KR)

\* cited by examiner

(\*\*) Term: **15 Years**

*Primary Examiner* — Rosemary K Tarcza

*Assistant Examiner* — Christy Nemeth

(21) Appl. No.: **29/575,758**

(74) *Attorney, Agent, or Firm* — NSIP Law

(22) Filed: **Aug. 29, 2016**

(57) **CLAIM**

We claim the ornamental design for a power plug, as shown and described.

(30) **Foreign Application Priority Data**

**DESCRIPTION**

Mar. 9, 2016 (KR) ..... 30-2016-0010707

(51) **LOC (10) Cl.** ..... **13-03**

(52) **U.S. Cl.**  
USPC ..... **D13/138.1**

(58) **Field of Classification Search**  
USPC ..... D13/108, 110, 123, 133, 137.1–137.4,  
D13/138.1–138.2, 139.1–139.8, 152–154,  
D13/156, 158, 177; D8/350–353, 331  
CPC .... H01R 25/00; H01R 25/006; H01R 13/642;  
H01R 13/58  
See application file for complete search history.

FIG. 1 is a front perspective view of a power plug showing our new design;  
FIG. 2 is a front view thereof;  
FIG. 3 is a rear view thereof;  
FIG. 4 is a left-side view thereof;  
FIG. 5 is a right-side view thereof;  
FIG. 6 is a top view thereof;  
FIG. 7 is a bottom view thereof;  
FIG. 8 is a front perspective view thereof shown in an alternate configuration; and,  
FIG. 9 is a partially enlarged view of the encircled portion in FIG. 1.

(56) **References Cited**

**U.S. PATENT DOCUMENTS**

D537,784 S \* 3/2007 Suckle ..... D13/138.1  
D621,357 S \* 8/2010 Dong ..... D13/138.1  
D635,919 S \* 4/2011 Ahola ..... D13/138.1  
D680,492 S \* 4/2013 Smith ..... D13/110  
D685,326 S \* 7/2013 Kim ..... D13/110

The broken lines in the figures depict environmental subject matter and form no part of the claimed design. The dot-dot-dash broken lines encircling portions of the claimed design that are illustrated in enlargements form no part of the claimed design.

**1 Claim, 9 Drawing Sheets**

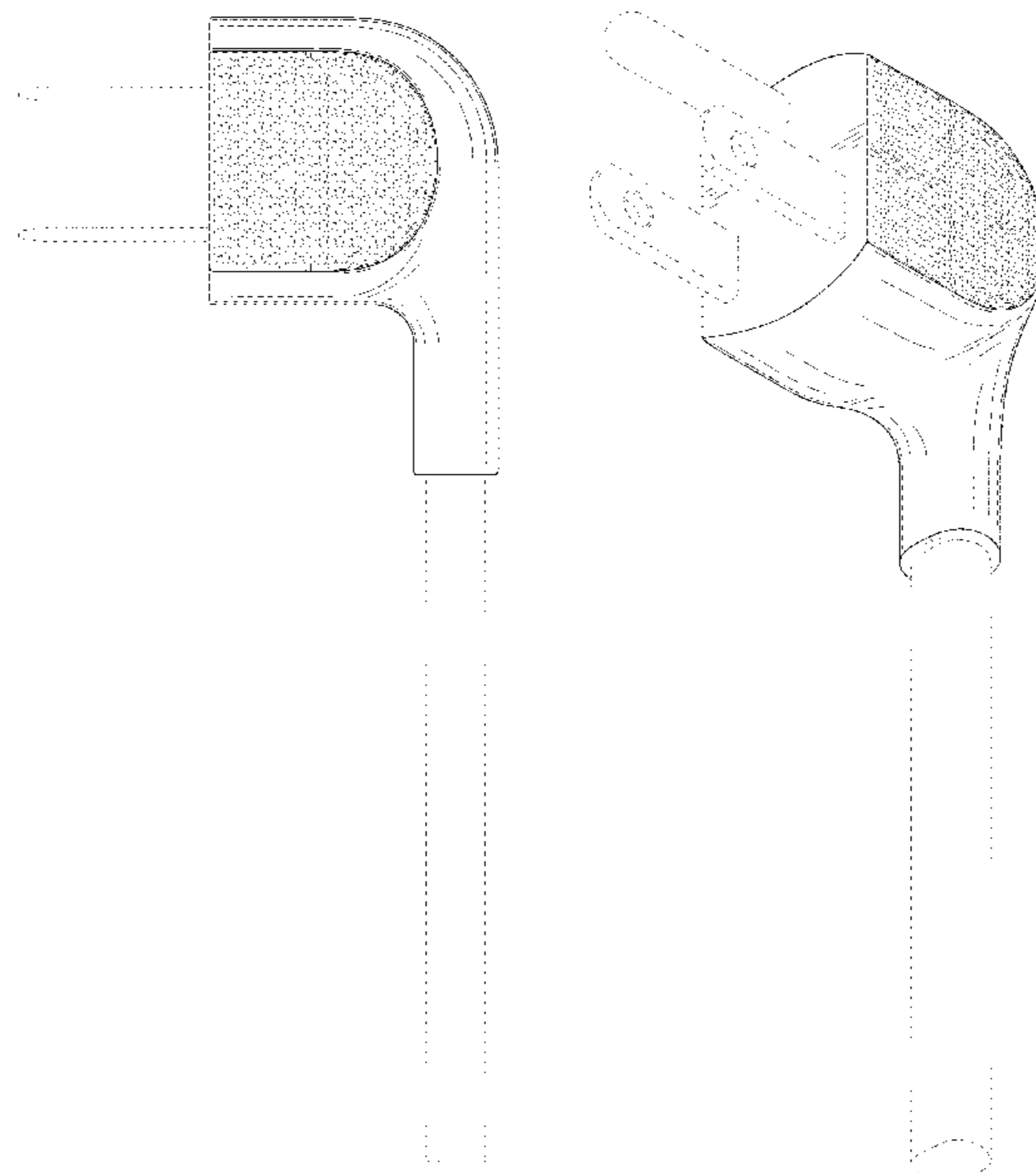


FIG. 1

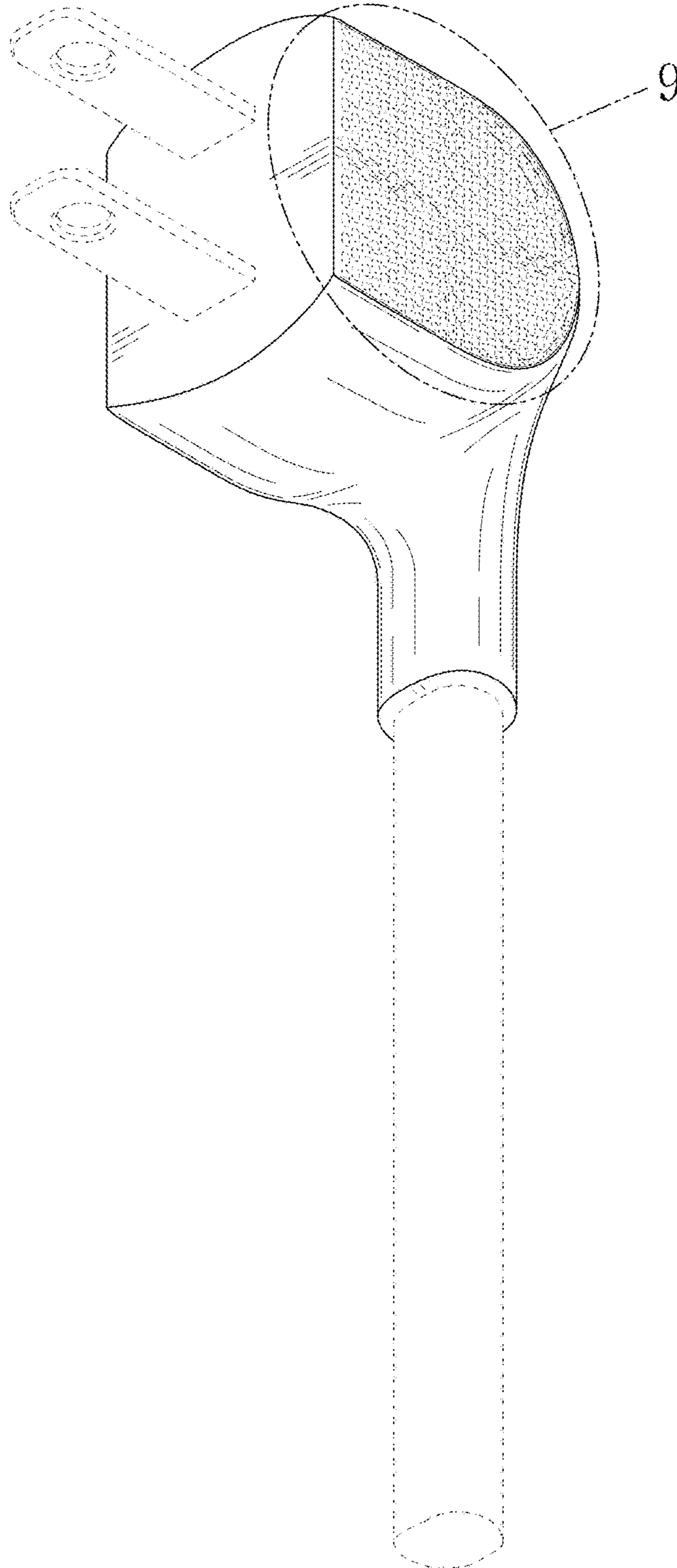


FIG. 2

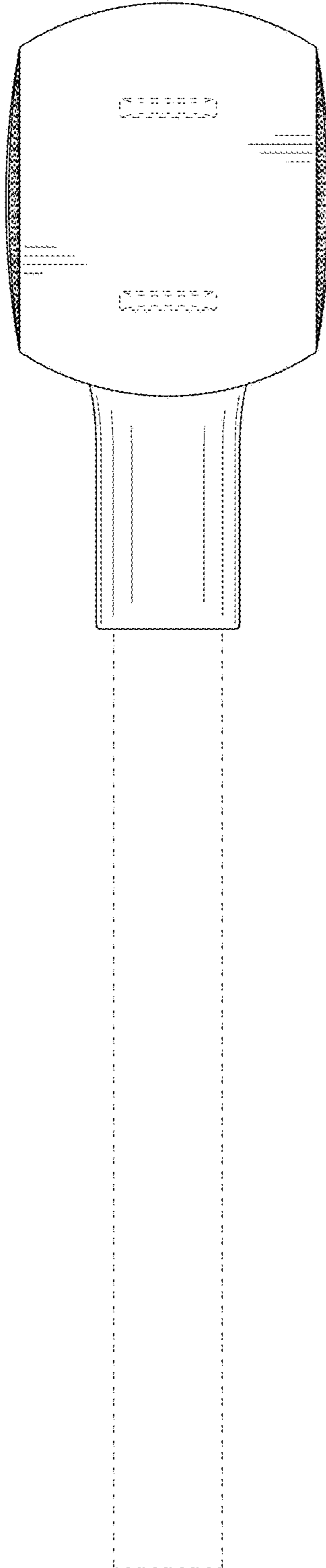


FIG. 3

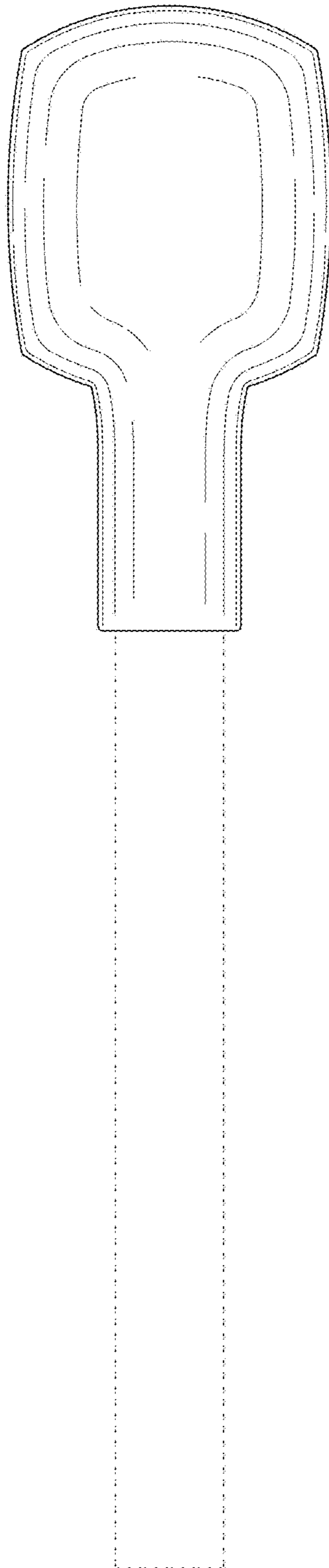


FIG. 4

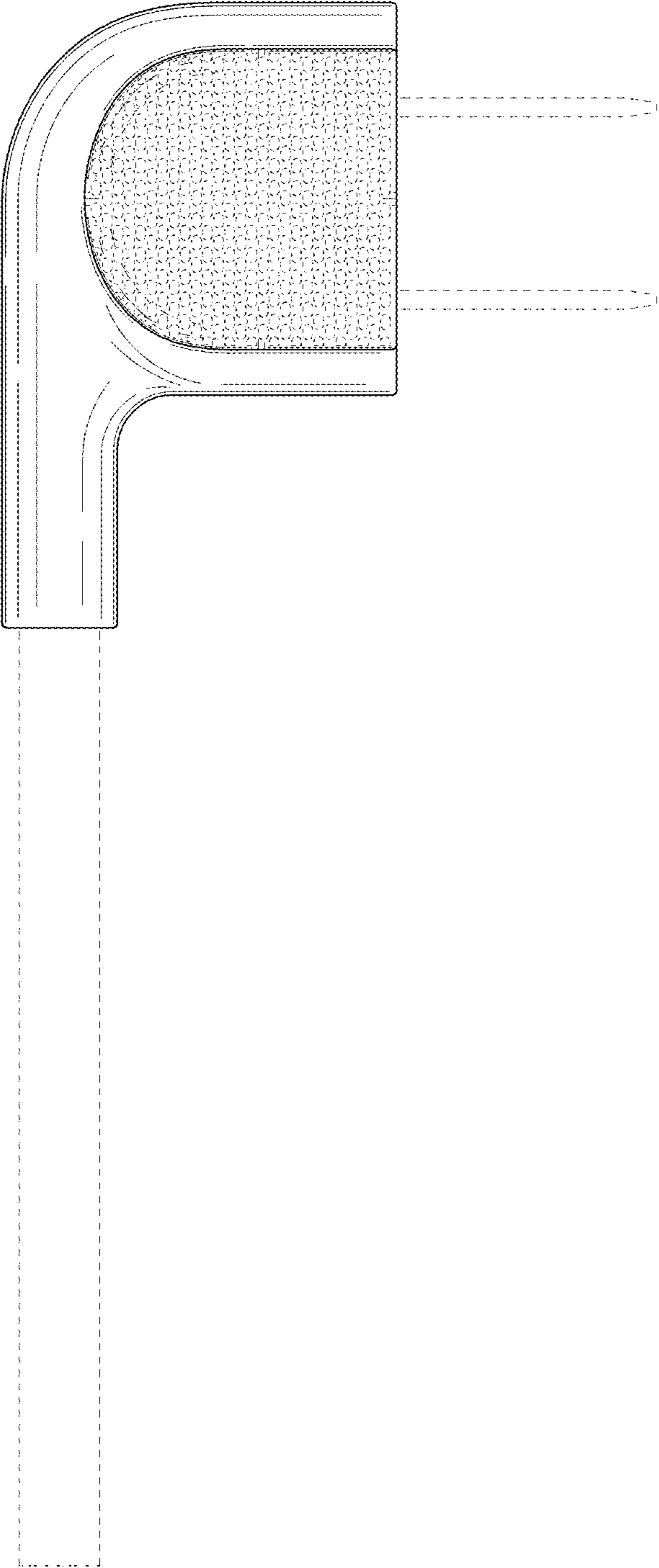


FIG. 5

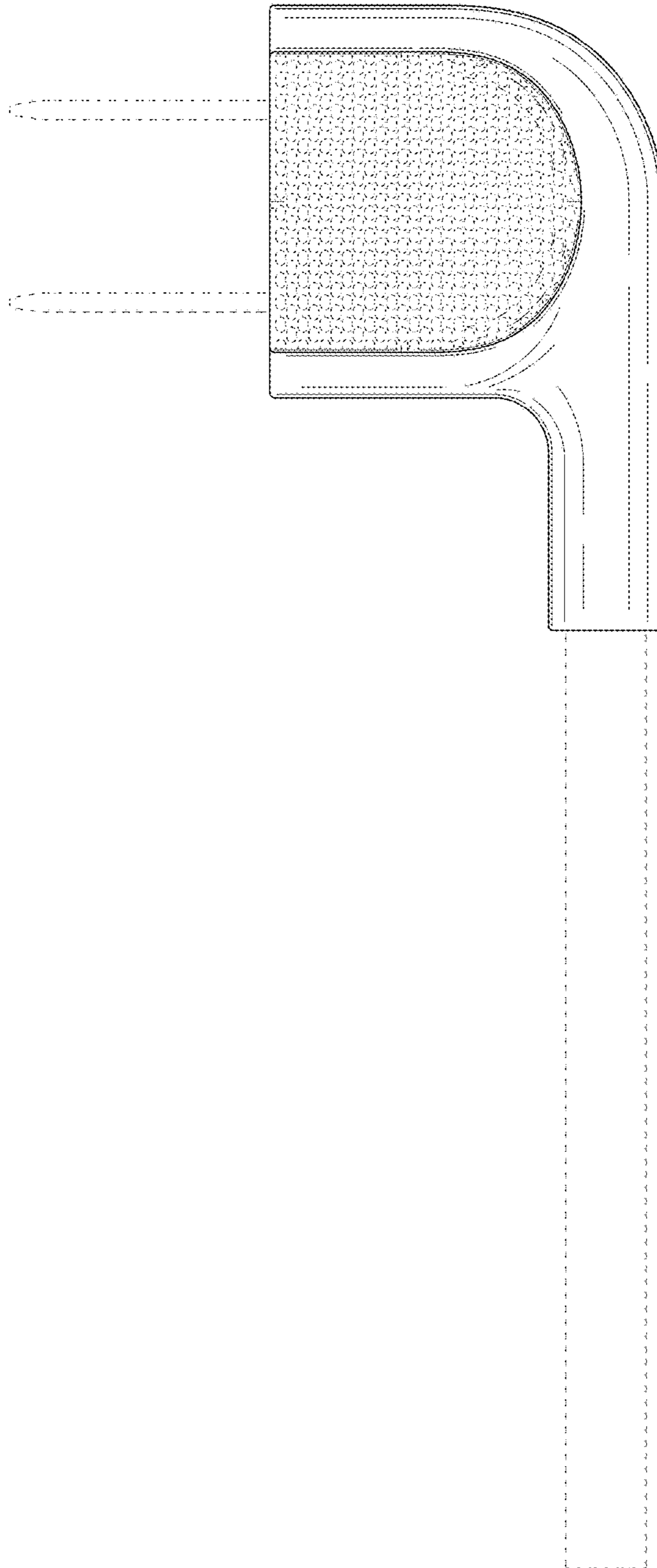


FIG. 6

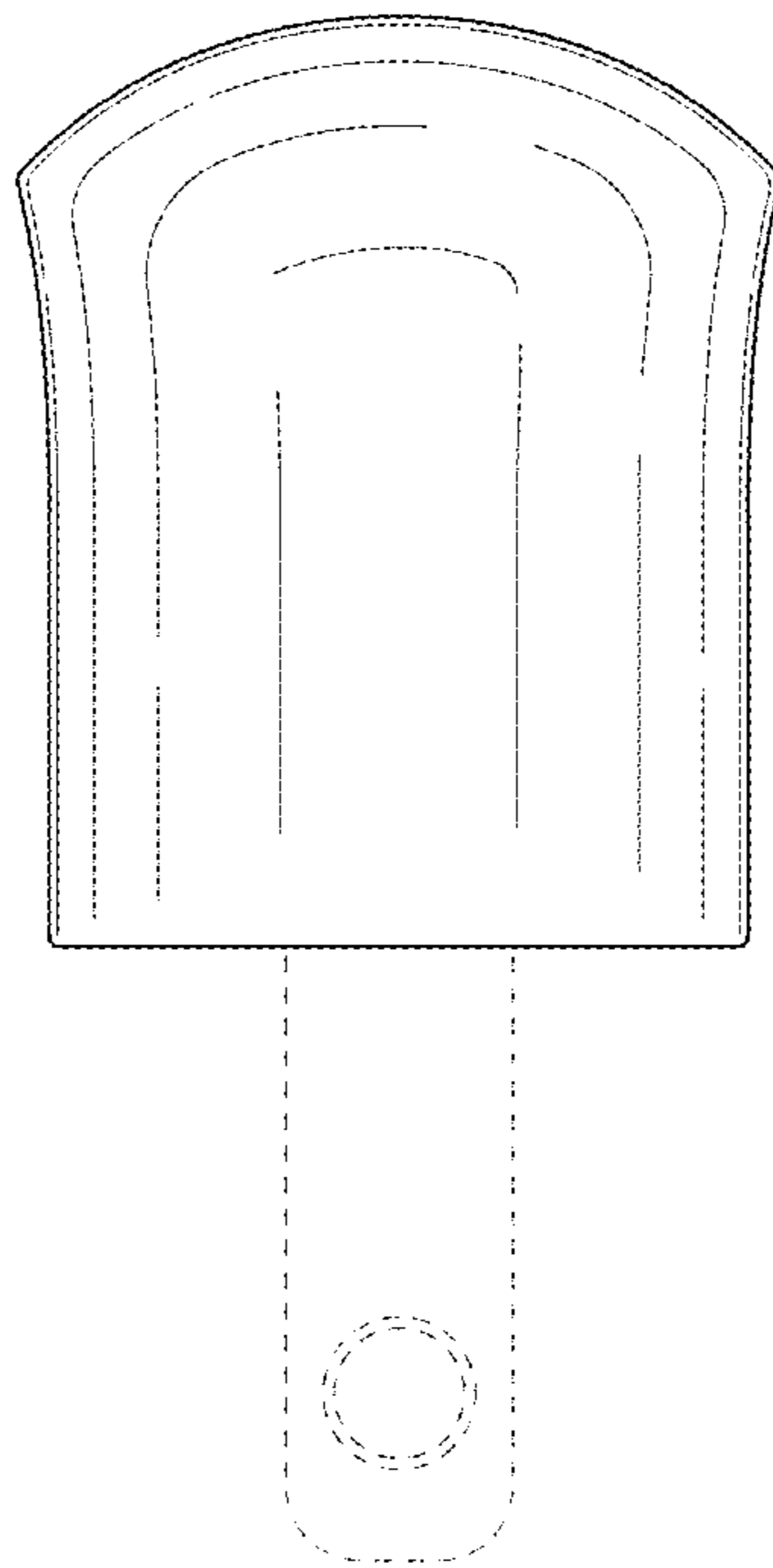


FIG. 7

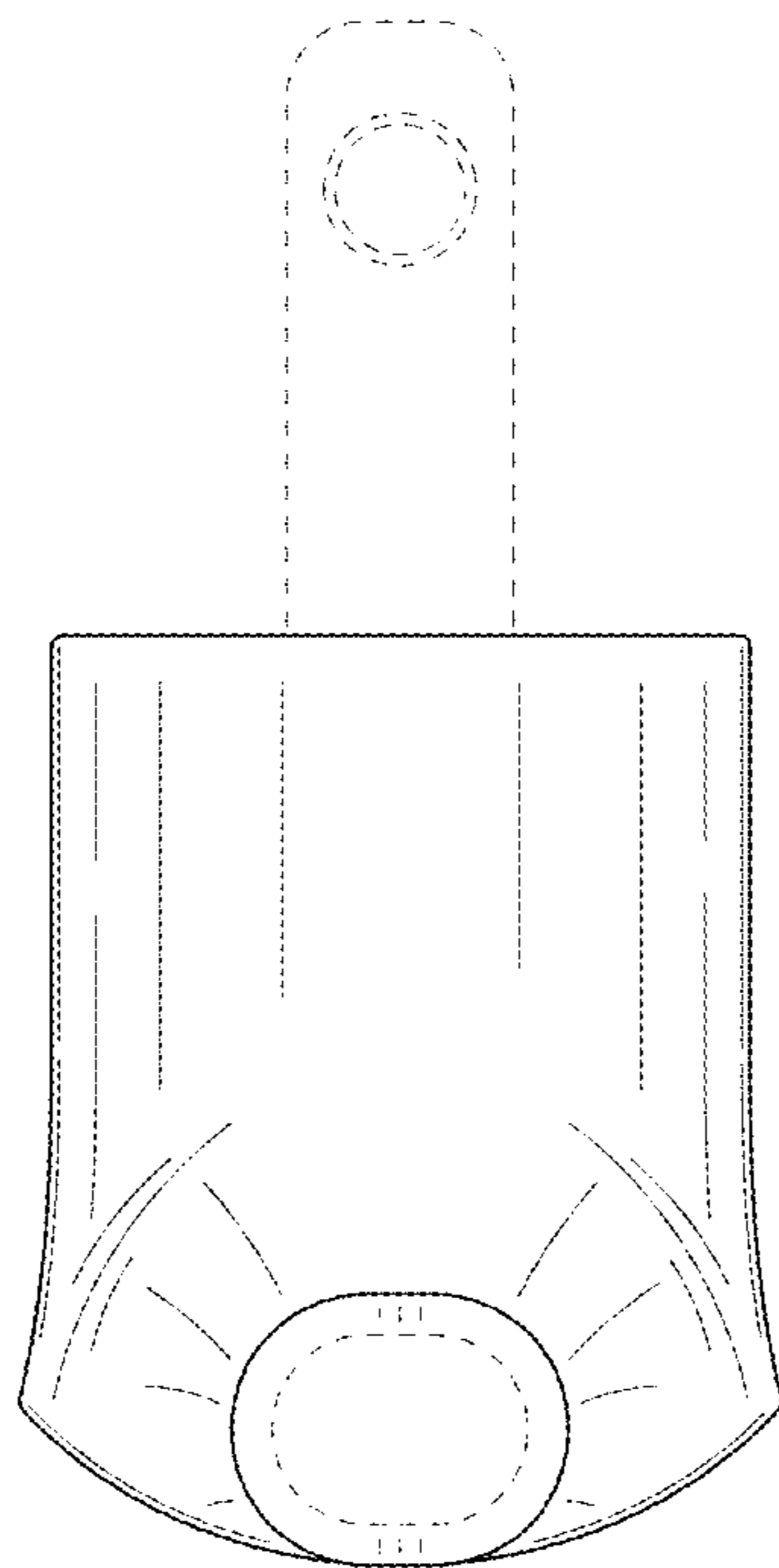




FIG. 8

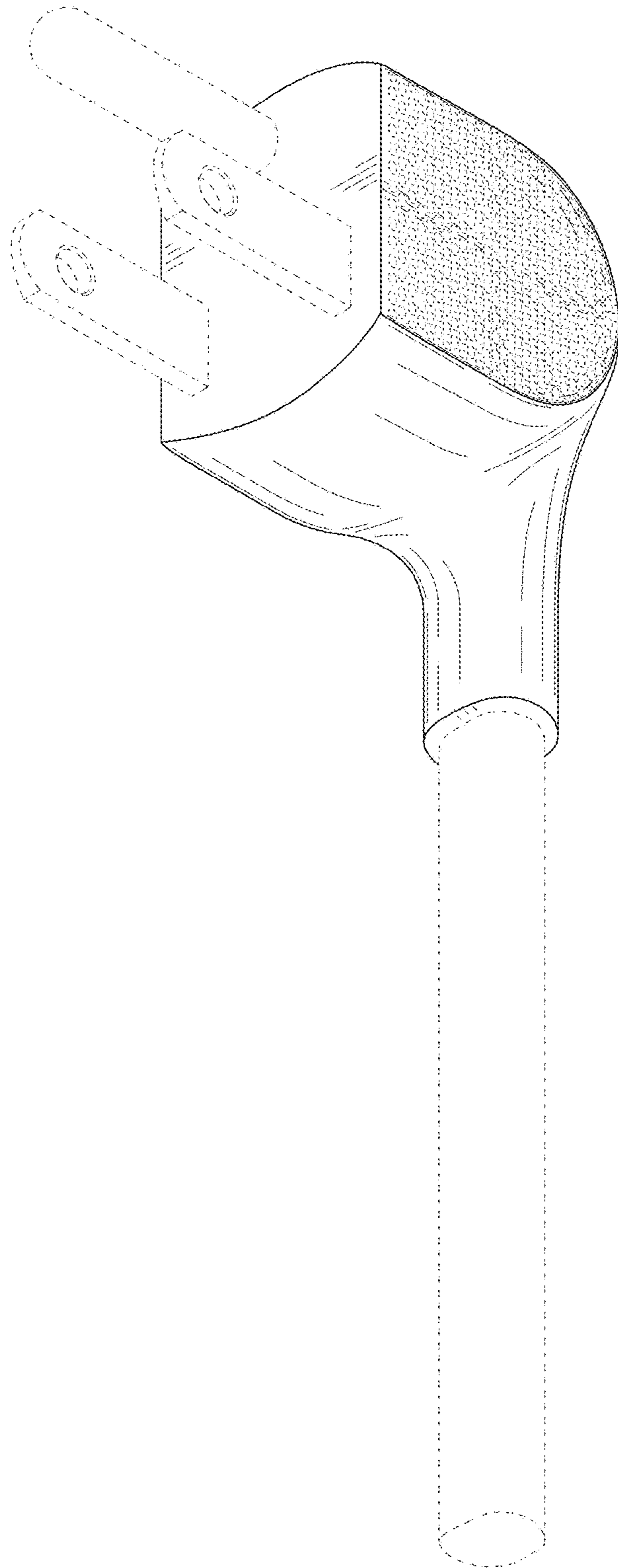


FIG. 9

