



US00D803158S

(12) **United States Design Patent** (10) **Patent No.:** **US D803,158 S**  
**Smajda** (45) **Date of Patent:** **\*\* Nov. 21, 2017**

(54) **POWER CONNECTOR**  
(71) Applicant: **Westinghouse Air Brake Technologies Corporation**, Wilmerding, PA (US)  
(72) Inventor: **Kenneth J. Smajda**, Elkridge, MD (US)  
(73) Assignee: **Westinghouse Air Brake Technologies Corporation**, Wilmerding, PA (US)  
(\*\*) Term: **15 Years**

D510,067 S \* 9/2005 Miller ..... D13/137.4  
6,997,731 B1 2/2006 Wood et al.  
D537,784 S \* 3/2007 Suckle ..... D13/138.1  
D586,758 S \* 2/2009 Victor ..... D13/156  
D587,653 S \* 3/2009 Barnes, Jr. .... D13/138.1  
D587,656 S \* 3/2009 Shen ..... D13/147  
D604,245 S \* 11/2009 Reusche ..... D13/133  
D608,737 S \* 1/2010 Upham ..... D13/147  
D620,452 S \* 7/2010 Corless ..... D13/154  
D620,453 S \* 7/2010 Corless ..... D13/154  
D633,870 S \* 3/2011 Thommes ..... D13/139.1  
D651,976 S \* 1/2012 Akahori ..... D13/138.2  
D652,383 S \* 1/2012 Akahori ..... D13/138.2

(Continued)

(21) Appl. No.: **29/541,351**  
(22) Filed: **Oct. 2, 2015**  
(51) **LOC (10) Cl.** ..... **13-03**  
(52) **U.S. Cl.**  
USPC ..... **D13/138.1**  
(58) **Field of Classification Search**  
USPC ..... D13/138.1–138.4, 156, 110, 108, 137.2,  
D13/137.4, 133, 147, 154, 139.1  
CPC ..... H01R 13/6215; H01R 13/5219; A61B  
5/14551  
See application file for complete search history.

FOREIGN PATENT DOCUMENTS

EP 1081799 A2 3/2001  
WO 2015017501 A1 2/2015

Primary Examiner — Rhea Shields

(74) Attorney, Agent, or Firm — The Webb Law Firm

(57) **CLAIM**

The ornamental design for a power connector, as shown and described.

**DESCRIPTION**

FIG. 1 is a front view of a power connector showing my new design.

FIG. 2 is a rear view thereof;

FIG. 3 is a left side view thereof;

FIG. 4 is a right side view thereof;

FIG. 5 is a top view thereof;

FIG. 6 is a bottom view thereof;

FIG. 7 is an upper left front perspective view thereof;

FIG. 8 is a lower right front perspective view thereof; and,

FIG. 9 is a rear perspective view thereof.

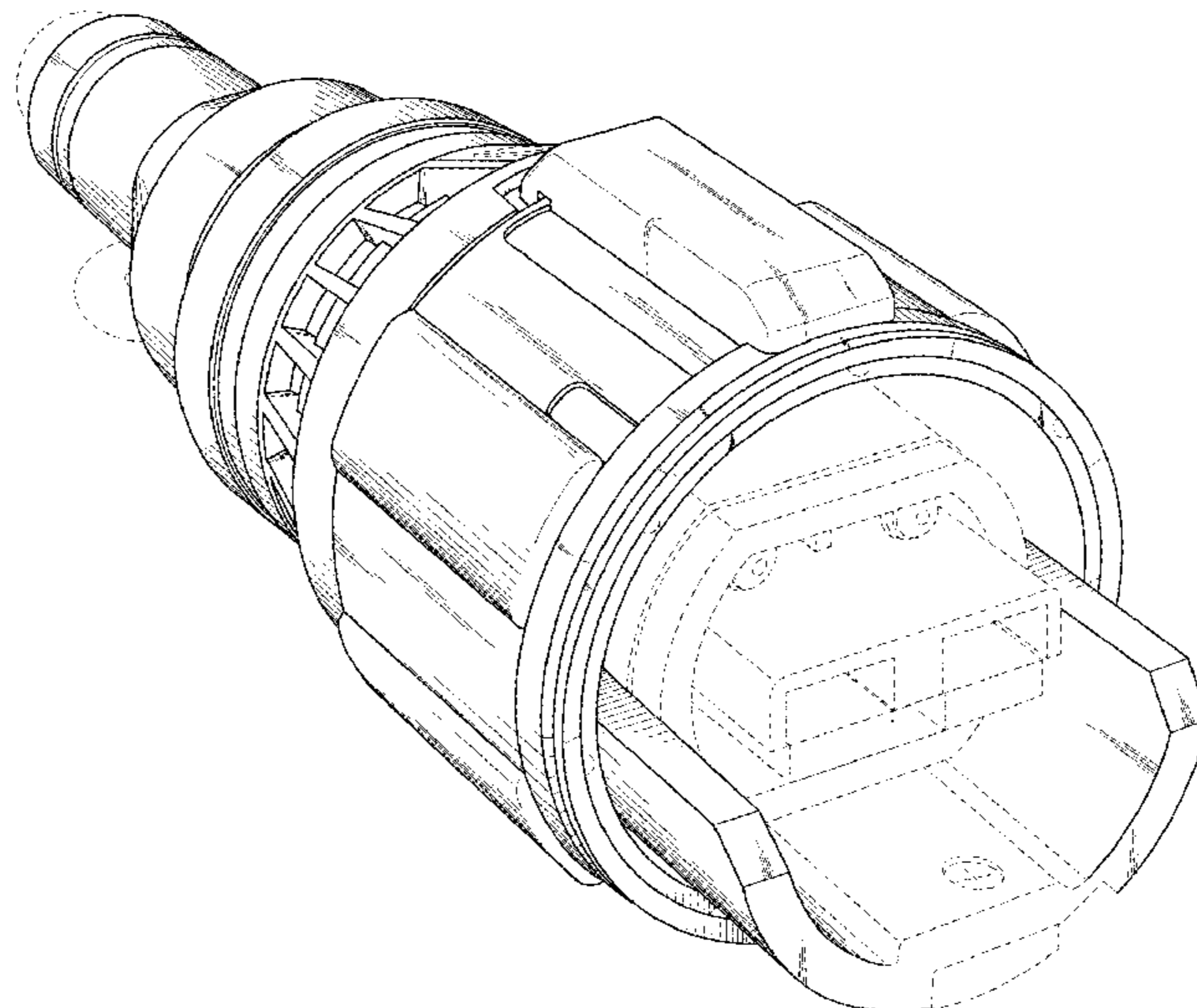
In the drawings, the broken lines are for the purpose of illustrating environment only and form no part of the claimed design.

**1 Claim, 8 Drawing Sheets**

(56) **References Cited**

U.S. PATENT DOCUMENTS

3,252,124 A 5/1966 Hansen  
4,695,110 A 9/1987 Wasserlein  
4,917,623 A 4/1990 Grabbe  
5,118,303 A 6/1992 LeBaron et al.  
5,800,196 A 9/1998 Rudoy et al.  
5,857,866 A 1/1999 Felps  
6,309,231 B1 10/2001 Gordon et al.  
D459,301 S \* 6/2002 Fan Wong ..... D13/133  
D459,698 S \* 7/2002 Fan Wong ..... D13/133  
D460,043 S \* 7/2002 Fan Wong ..... D13/133  
6,447,319 B1 9/2002 Bodin  
D484,096 S \* 12/2003 Mackin ..... D13/138.2  
6,881,084 B2 4/2005 Crossan et al.



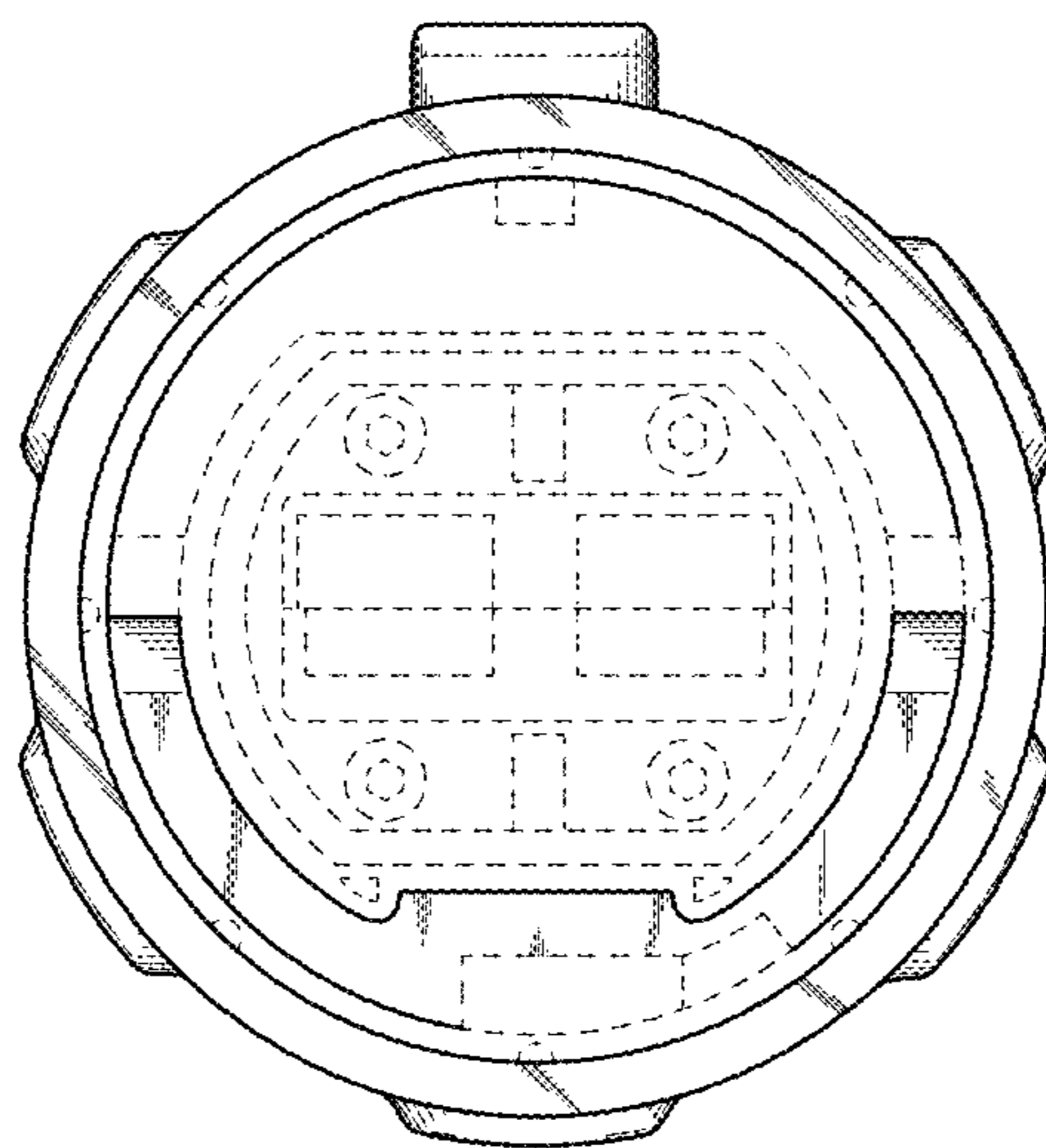
(56)

**References Cited**

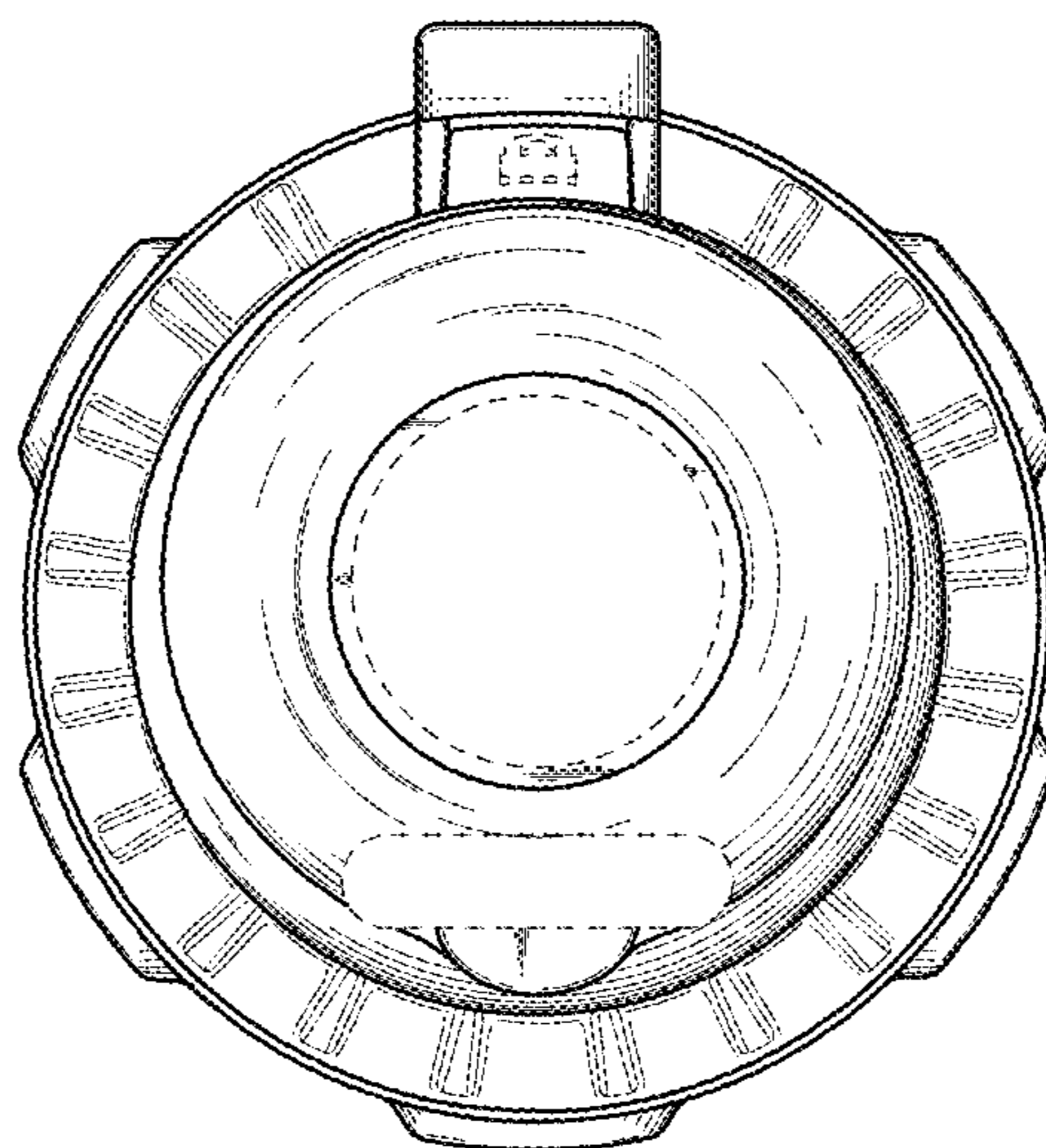
U.S. PATENT DOCUMENTS

D681,554 S \* 5/2013 Nelson ..... D13/137.2  
D682,211 S \* 5/2013 Nelson ..... D13/137.2  
D693,767 S \* 11/2013 Zaslavsky ..... D13/110  
D707,626 S \* 6/2014 Atkinson ..... D13/110  
9,293,858 B2 \* 3/2016 Iikhanov ..... H01R 13/6215  
9,437,961 B1 \* 9/2016 Smajda ..... H01R 13/5219  
2003/0013337 A1 1/2003 Crossan et al.  
2004/0115980 A1 6/2004 Douty et al.  
2015/0079829 A1 3/2015 Brodsgaard  
2016/0181716 A1 6/2016 Ramanna et al.

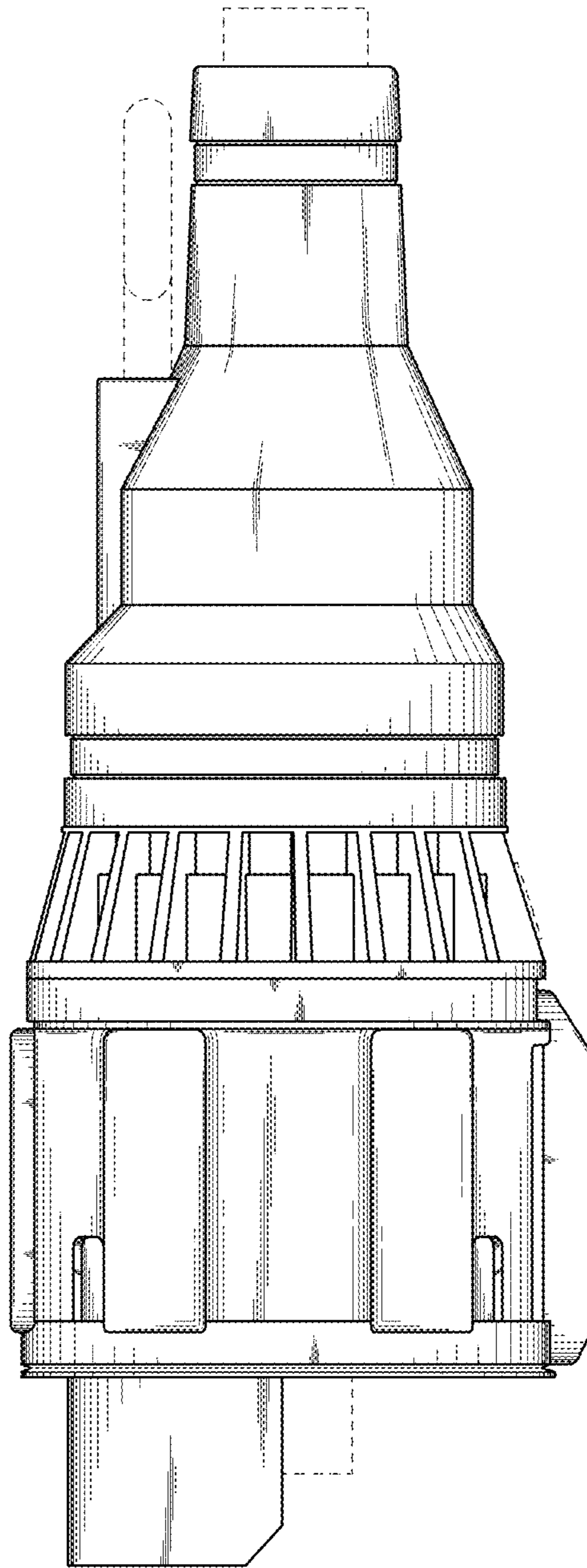
\* cited by examiner



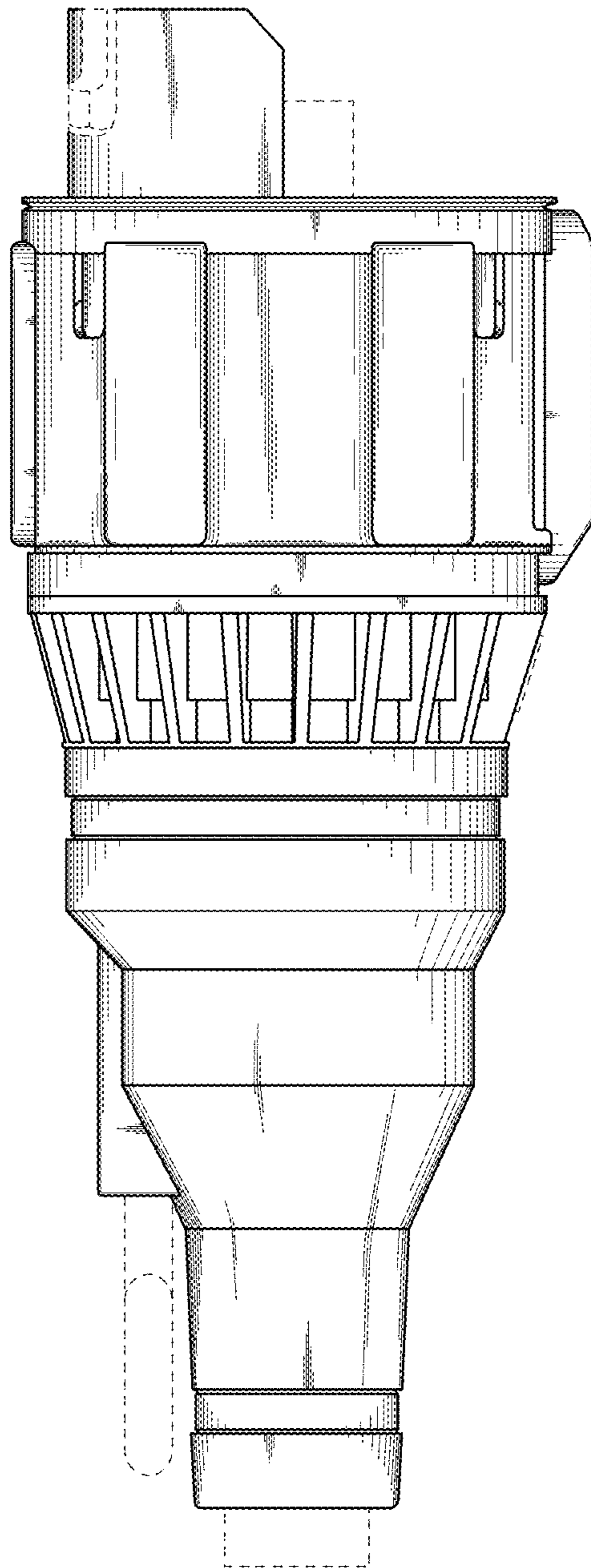
**FIG. 1**



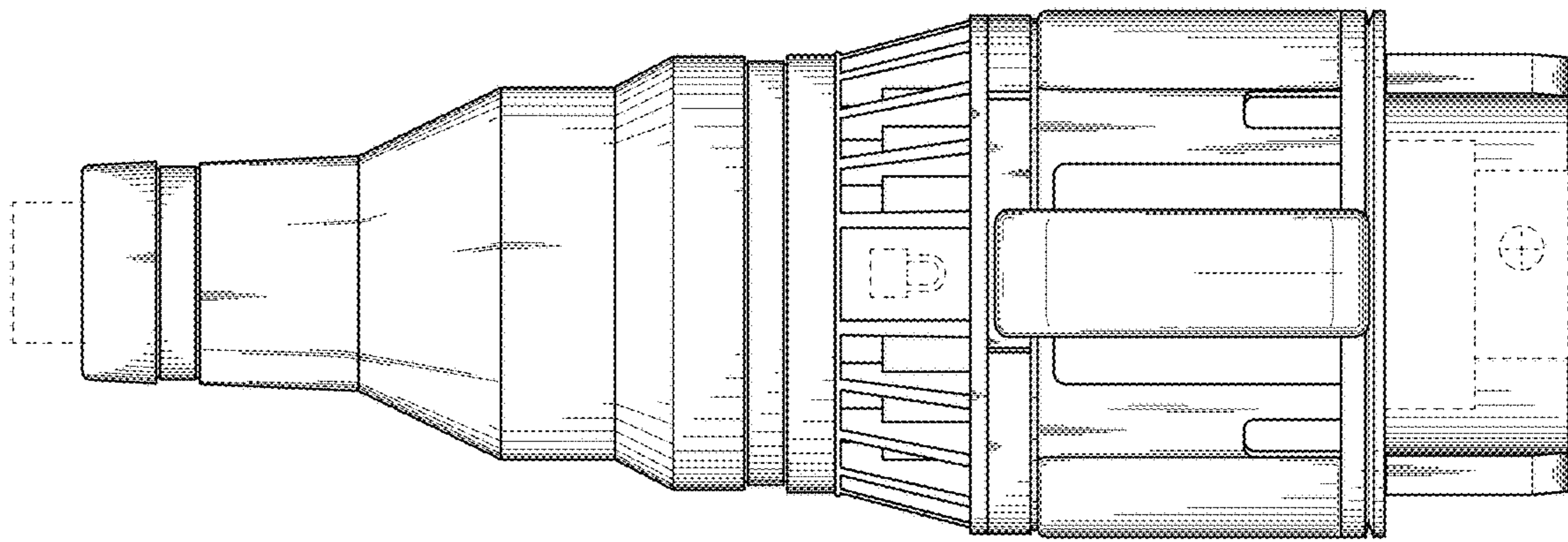
**FIG. 2**



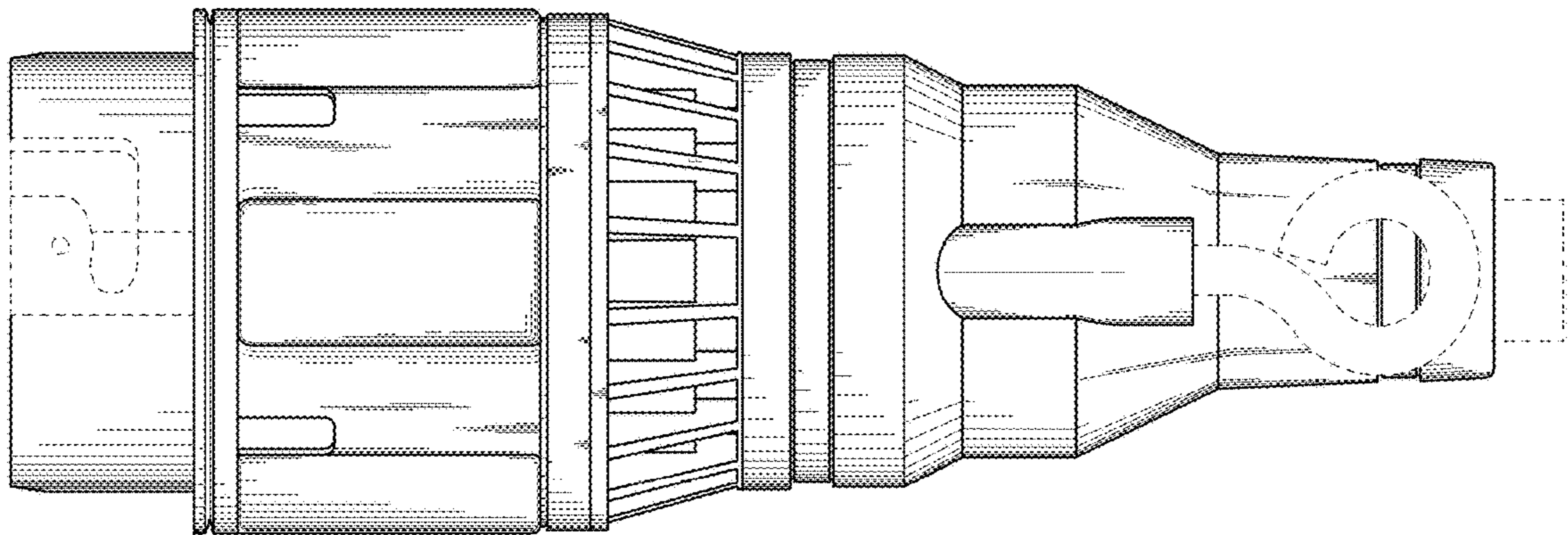
**FIG. 3**



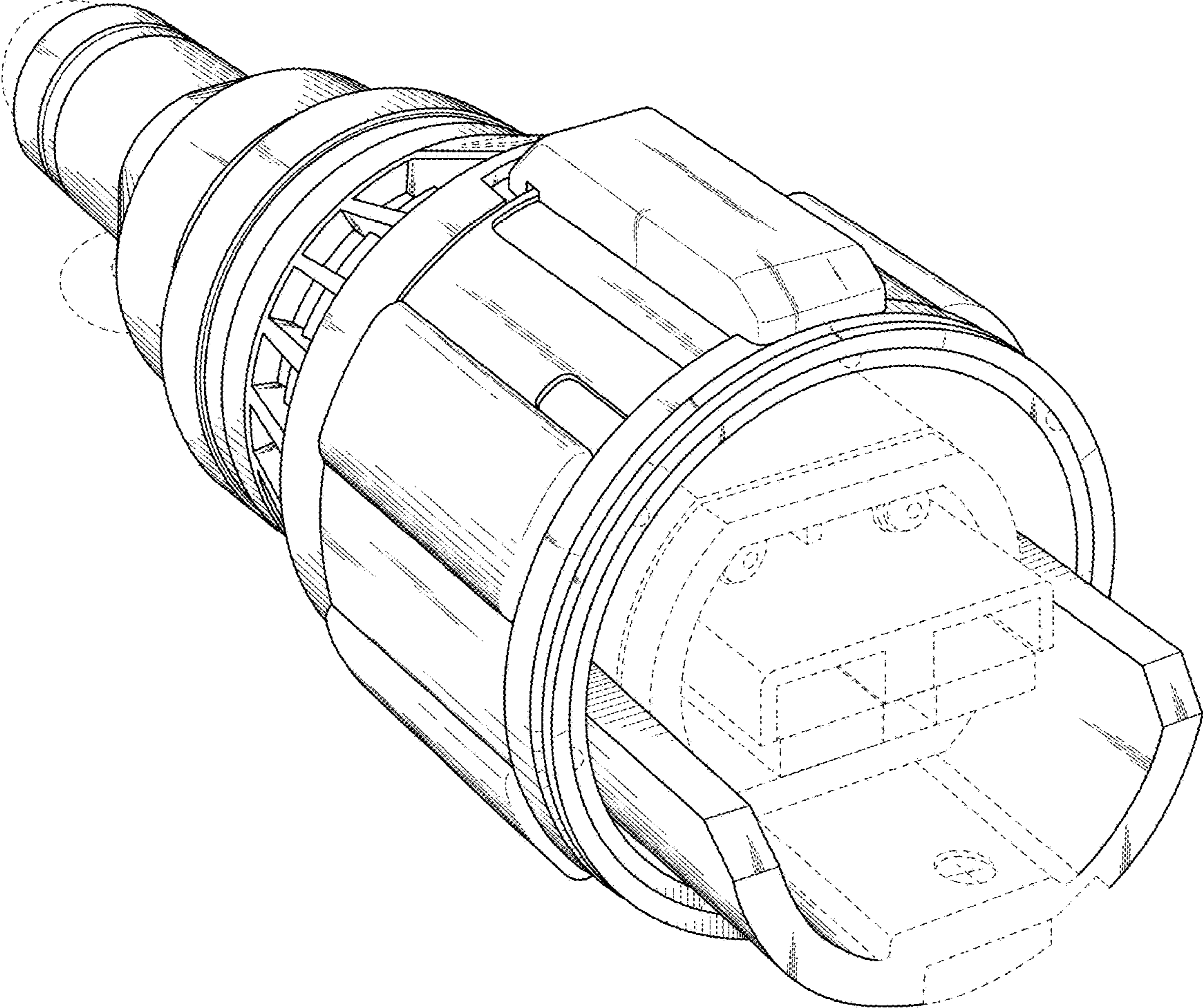
**FIG. 4**



**FIG. 5**

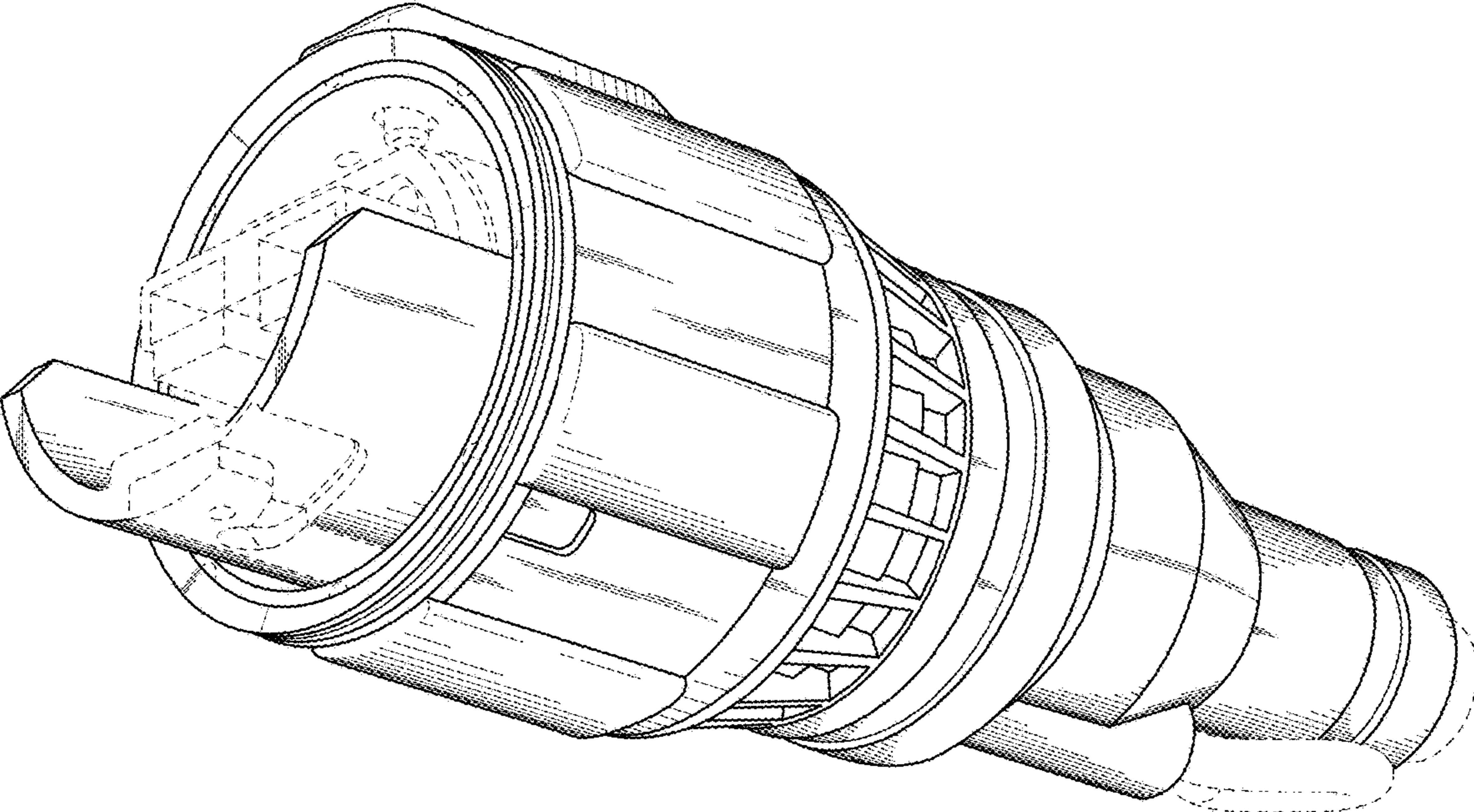


**FIG. 6**

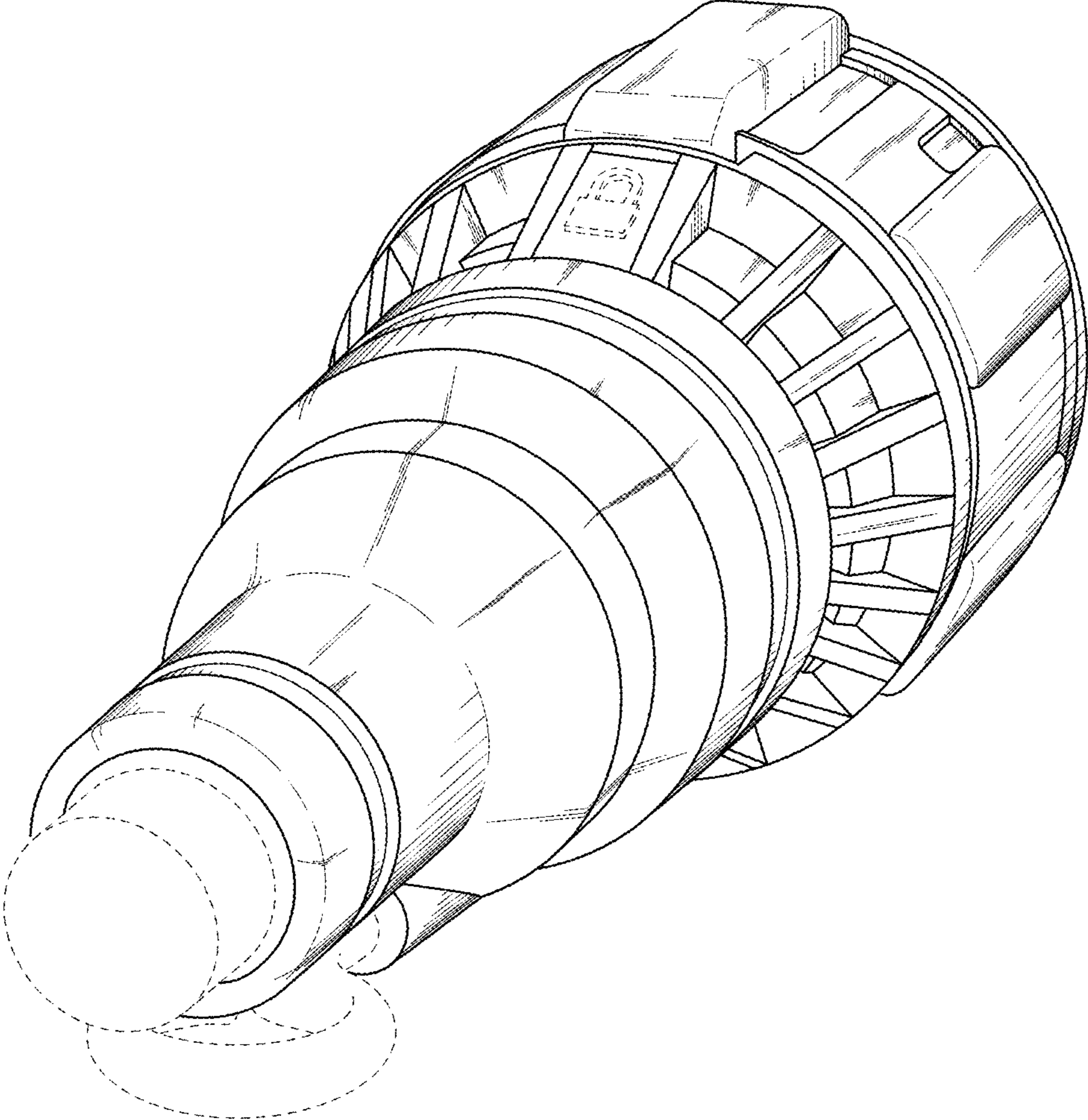


**FIG. 7**





**FIG. 8**



**FIG. 9**