



US00D803157S

(12) **United States Design Patent**
Mugan et al.

(10) **Patent No.:** **US D803,157 S**

(45) **Date of Patent:** **** Nov. 21, 2017**

(54) **ELECTRICAL CONNECTOR ASSEMBLY**

(71) Applicants: **Shan Mugan**, Ontario (CA); **Adrian Green**, Ontario (CA); **Bradley J. Copping**, Ontario (CA)

(72) Inventors: **Shan Mugan**, Ontario (CA); **Adrian Green**, Ontario (CA); **Bradley J. Copping**, Ontario (CA)

(73) Assignee: **Amphenol Corporation**, Wallingford, CT (US)

(**) Term: **14 Years**

(21) Appl. No.: **29/521,039**

(22) Filed: **Mar. 19, 2015**

(51) **LOC (10) Cl.** **13-03**

(52) **U.S. Cl.**
USPC **D13/133**

(58) **Field of Classification Search**
USPC D13/101, 118, 119, 120, 121, 123, 125,
D13/133–135, 146, 149, 154, 156, 173,
D13/184, 199
CPC H01R 13/00; H01R 11/11; H01R 13/42;
H01R 9/00; H01R 4/24; H01R 4/36;
H01R 4/48; H01R 33/22; H01R 33/00;
H01R 11/281; H01R 13/175; H01R
13/665; H01R 13/03; H01R 12/00; H01R
13/62; H01R 13/64; H01R 24/00
See application file for complete search history.

(56) **References Cited**

U.S. PATENT DOCUMENTS

D302,421 S * 7/1989 Ichitsubo D13/133
D576,951 S * 9/2008 Chen D13/133

(Continued)

Primary Examiner — Thomas Johannes
Assistant Examiner — Shawn T Gingrich

(74) *Attorney, Agent, or Firm* — Blank Rome LLP; Tara L. Marcus

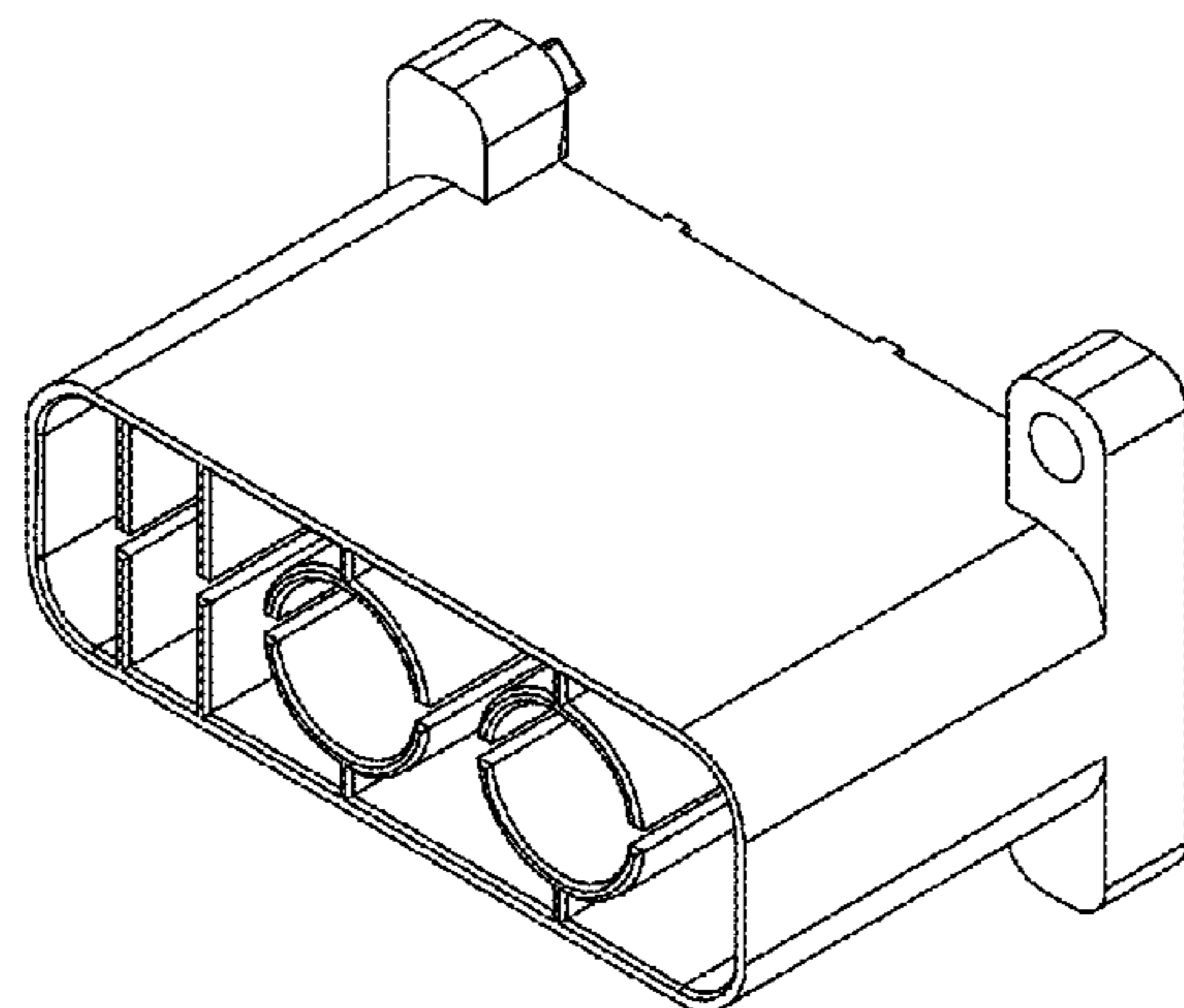
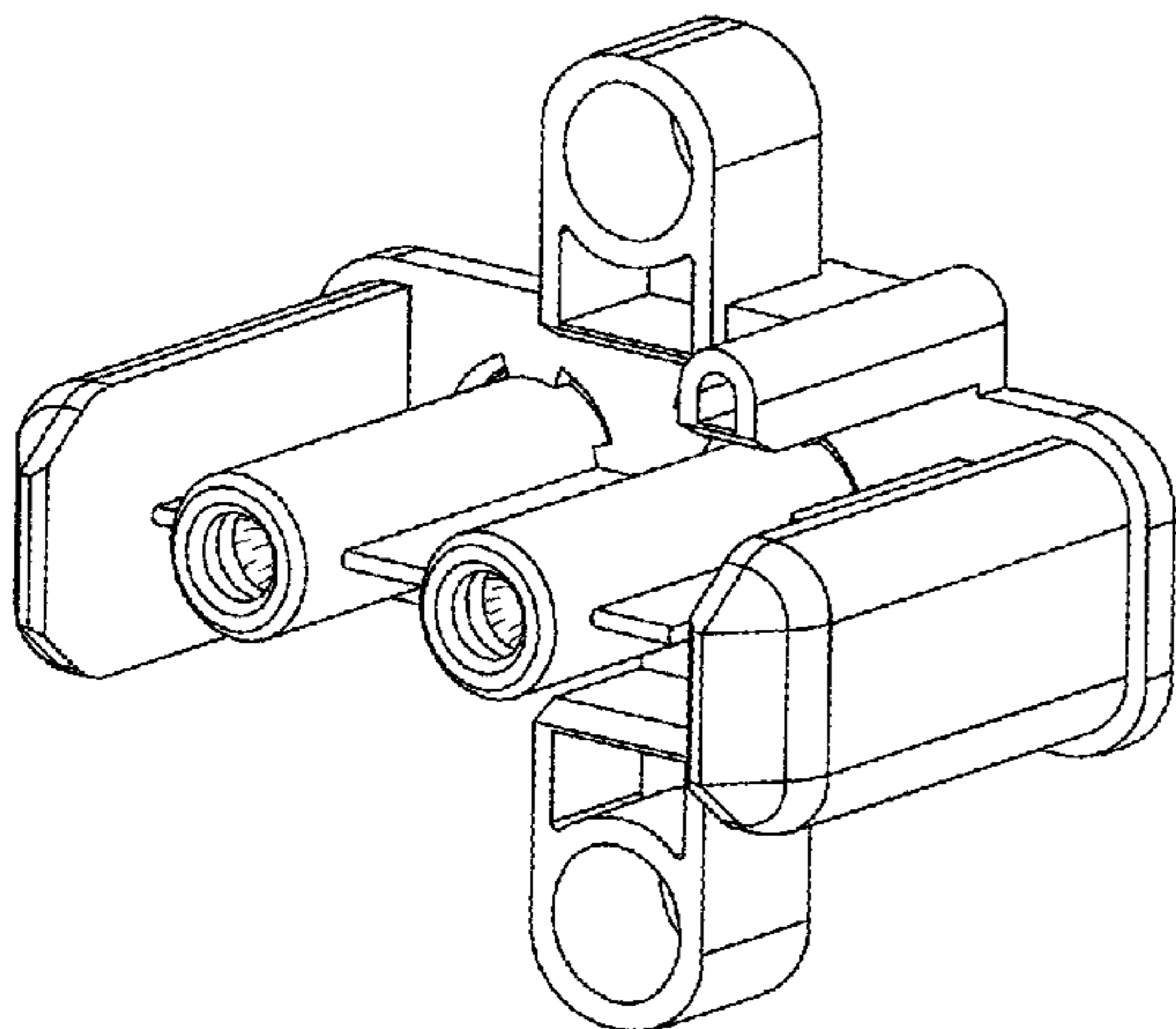
(57) **CLAIM**

The ornamental design for an electrical connector assembly, as shown and described.

DESCRIPTION

FIG. 1 is a front perspective view of a socket of electrical connector assembly in accordance with the present design, shown separately for illustrative clarity; FIG. 2 is a front view of the socket of the electrical connector assembly illustrated in FIG. 1; FIG. 3 is a rear view of the socket of the electrical connector assembly illustrated in FIG. 1; FIG. 4 is a right side view of the socket of the electrical connector assembly illustrated in FIG. 1; FIG. 5 is a left side view of the socket of the electrical connector assembly illustrated in FIG. 1; FIG. 6 is a top view of the socket of the electrical connector assembly illustrated in FIG. 1; FIG. 7 is a bottom side view of the socket of the electrical connector assembly illustrated in FIG. 1; FIG. 8 is a front perspective view of the pin of the electrical connector assembly in accordance with the present design, shown separately for illustrative clarity; FIG. 9 is a front view of the pin of the electrical connector assembly illustrated in FIG. 8; FIG. 10 is a rear view of the pin of the electrical connector assembly illustrated in FIG. 8; FIG. 11 is a right side view of the pin of the electrical connector assembly illustrated in FIG. 8; FIG. 12 is a left side view of the pin of the electrical connector assembly illustrated in FIG. 8; FIG. 13 is a top view of the pin of the electrical connector assembly illustrated in FIG. 8; and, FIG. 14 is a bottom view of the pin of the electrical connector assembly illustrated in FIG. 8. The broken line portion of the figure drawings is included to show portions of the article that form no part of the claimed design.

1 Claim, 3 Drawing Sheets



(56)

References Cited

U.S. PATENT DOCUMENTS

D589,445 S * 3/2009 Arai D13/133
D631,842 S * 2/2011 Sun D13/147
D658,586 S * 5/2012 Lin D13/146
8,241,043 B1 * 8/2012 Lin H01R 13/6205
439/39
D691,562 S * 10/2013 Suzuki D13/146
D716,732 S * 11/2014 Neumann D13/133
D768,081 S * 10/2016 Zayas D13/134
2003/0098173 A1 * 5/2003 Ide H01B 7/0861
174/78
2010/0105226 A1 * 4/2010 Gong H01R 13/7031
439/135
2011/0294361 A1 * 12/2011 Schrader H01R 13/64
439/680
2014/0151999 A1 * 6/2014 Imaki F16L 37/56
285/119

* cited by examiner

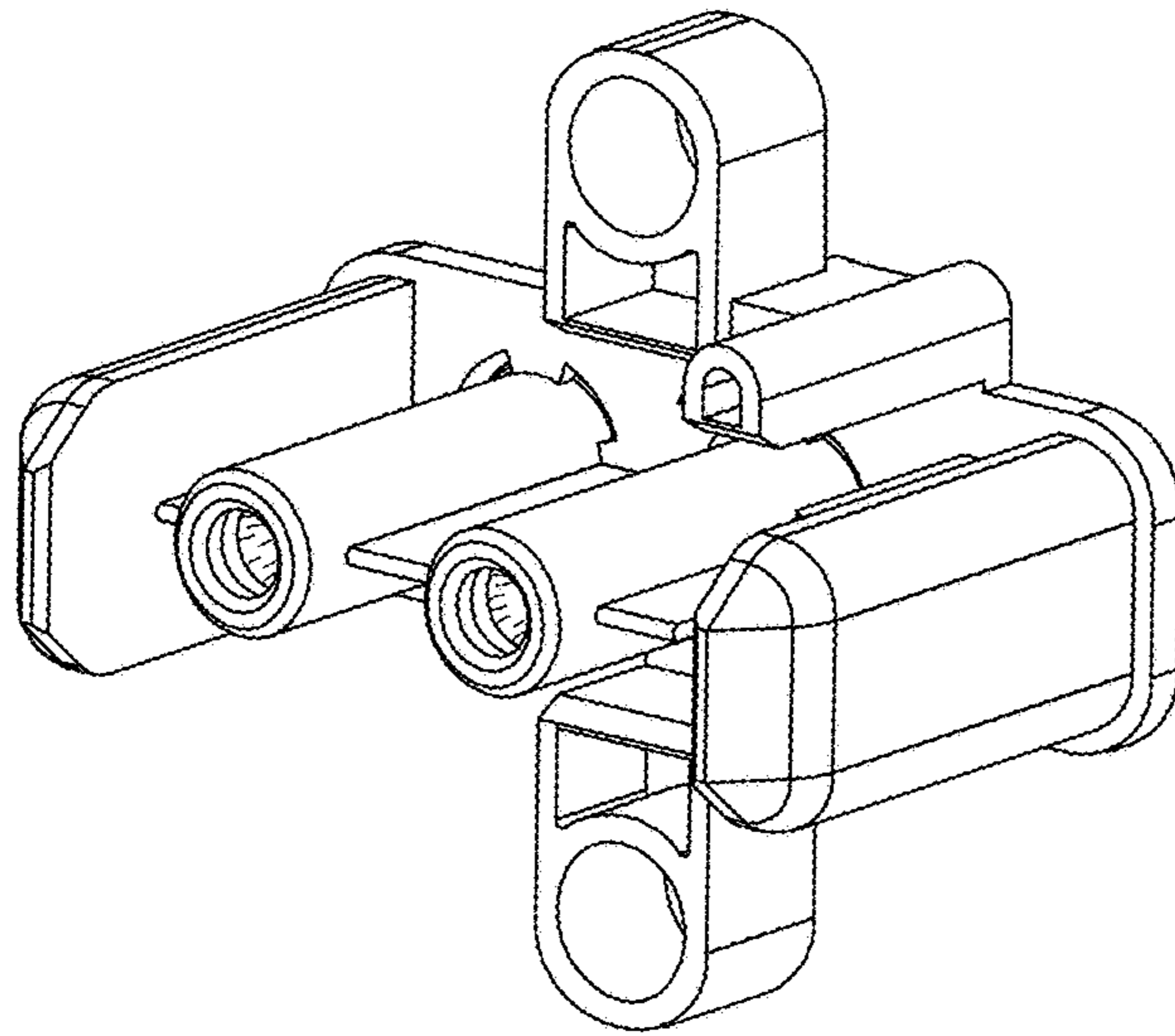


FIG. 1

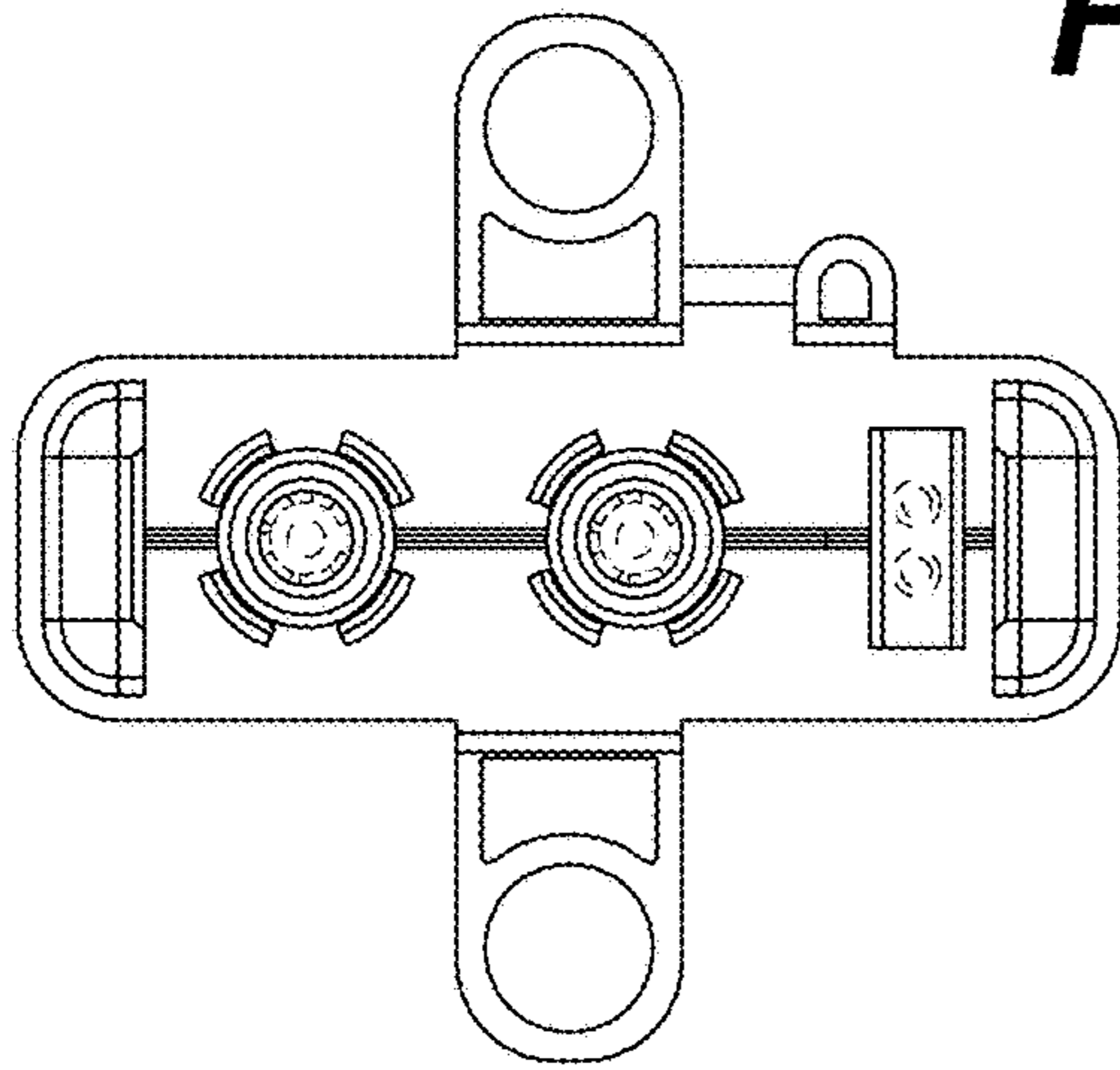


FIG. 2

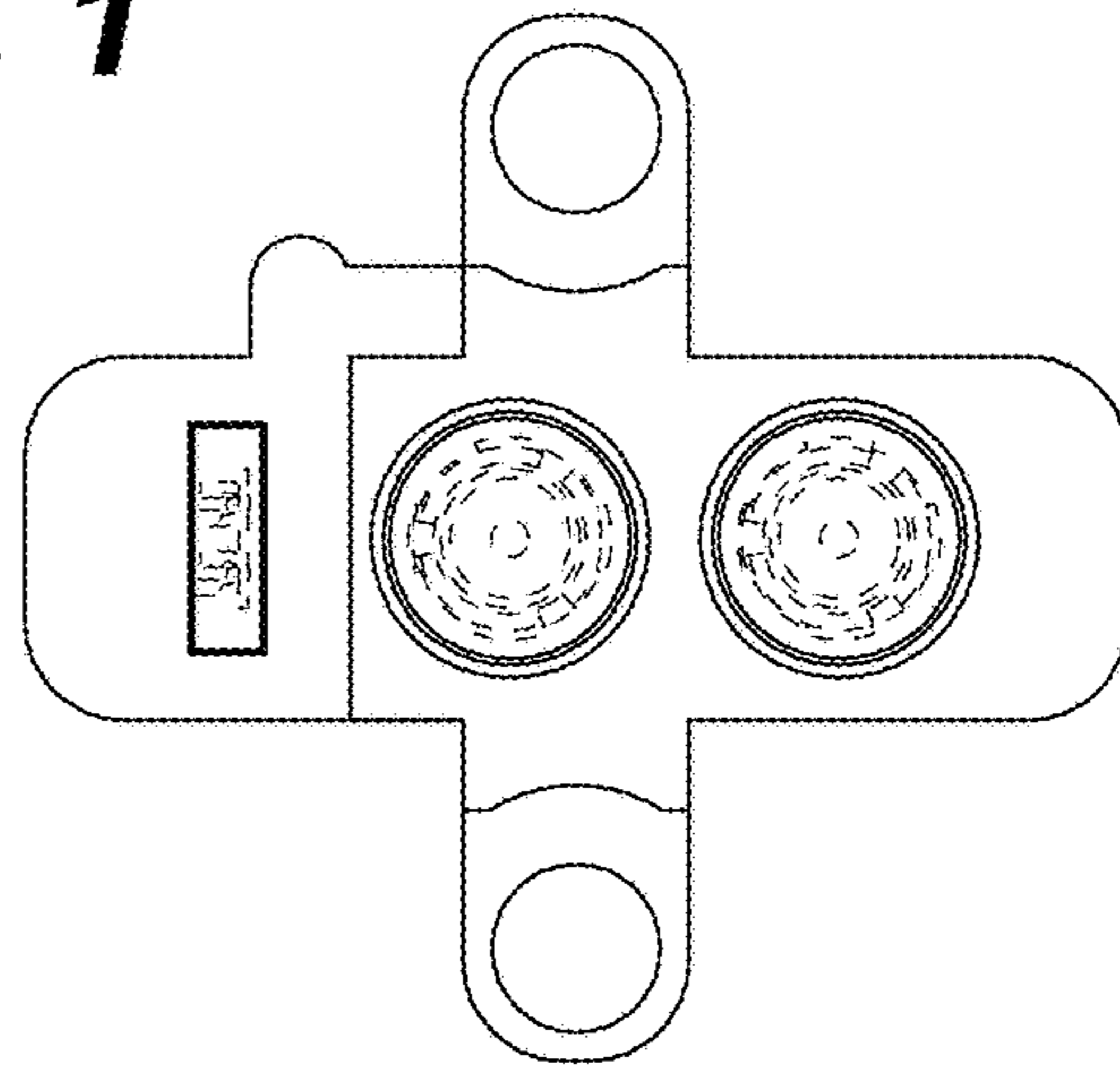


FIG. 3

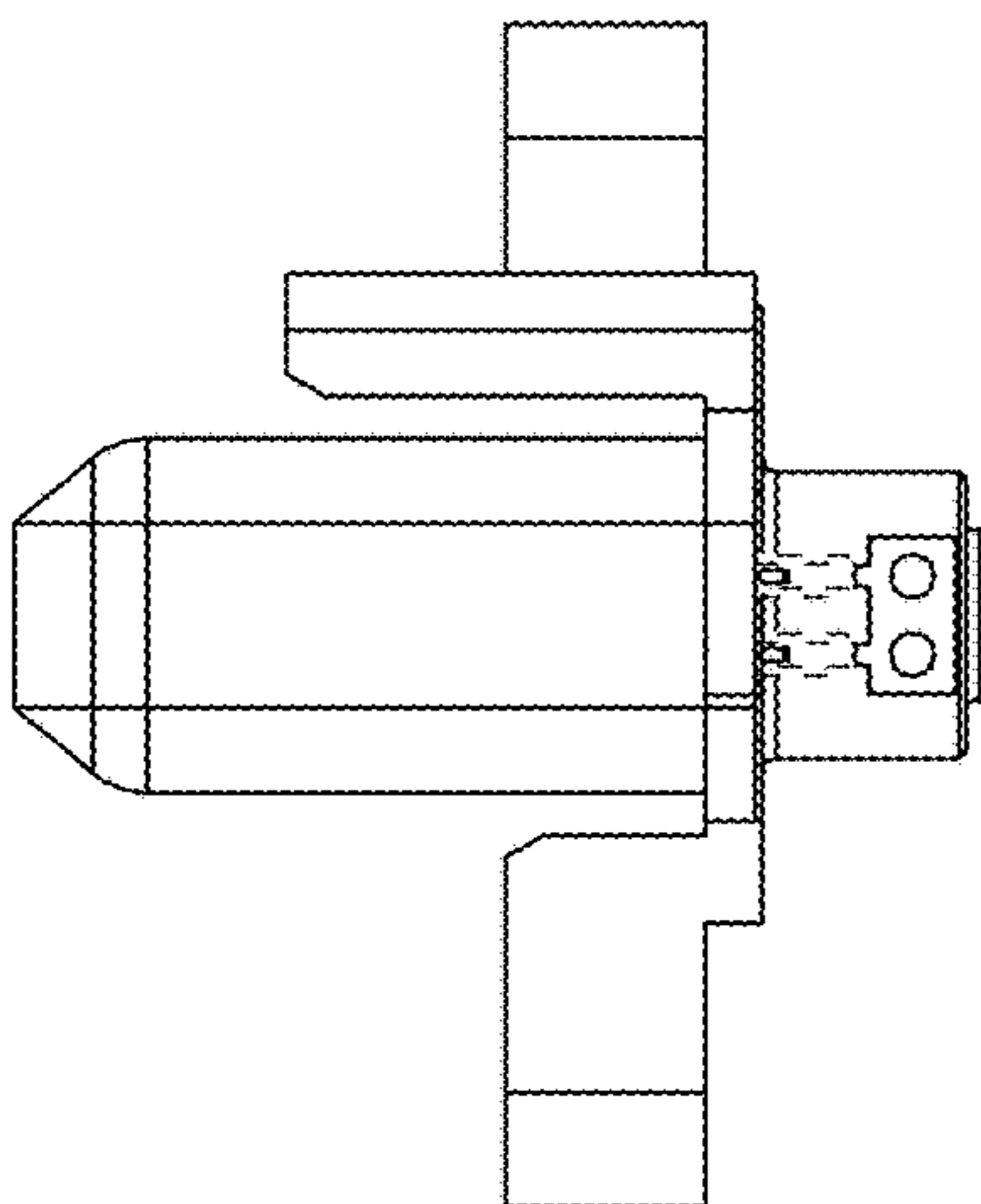


FIG. 4

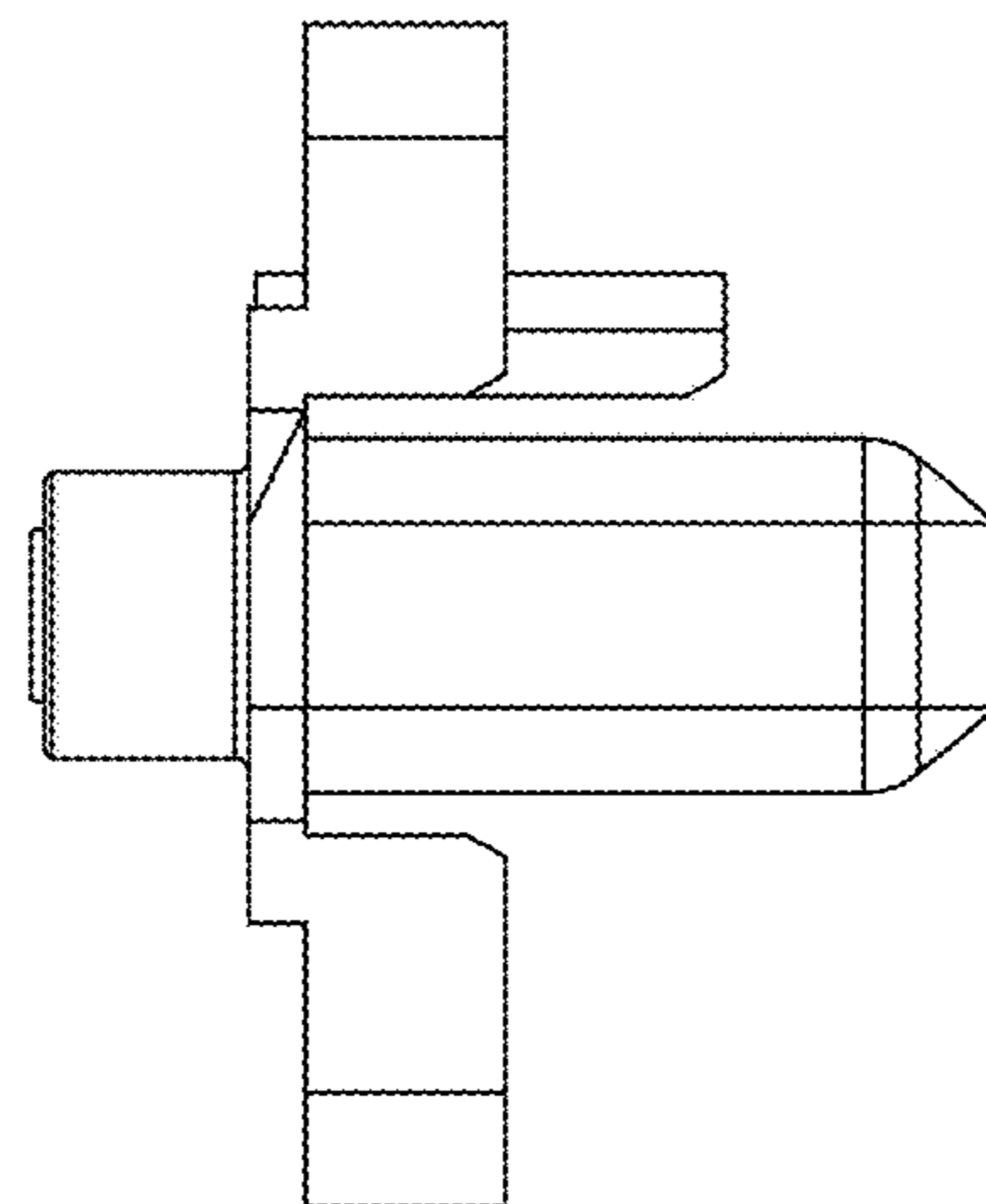


FIG. 5

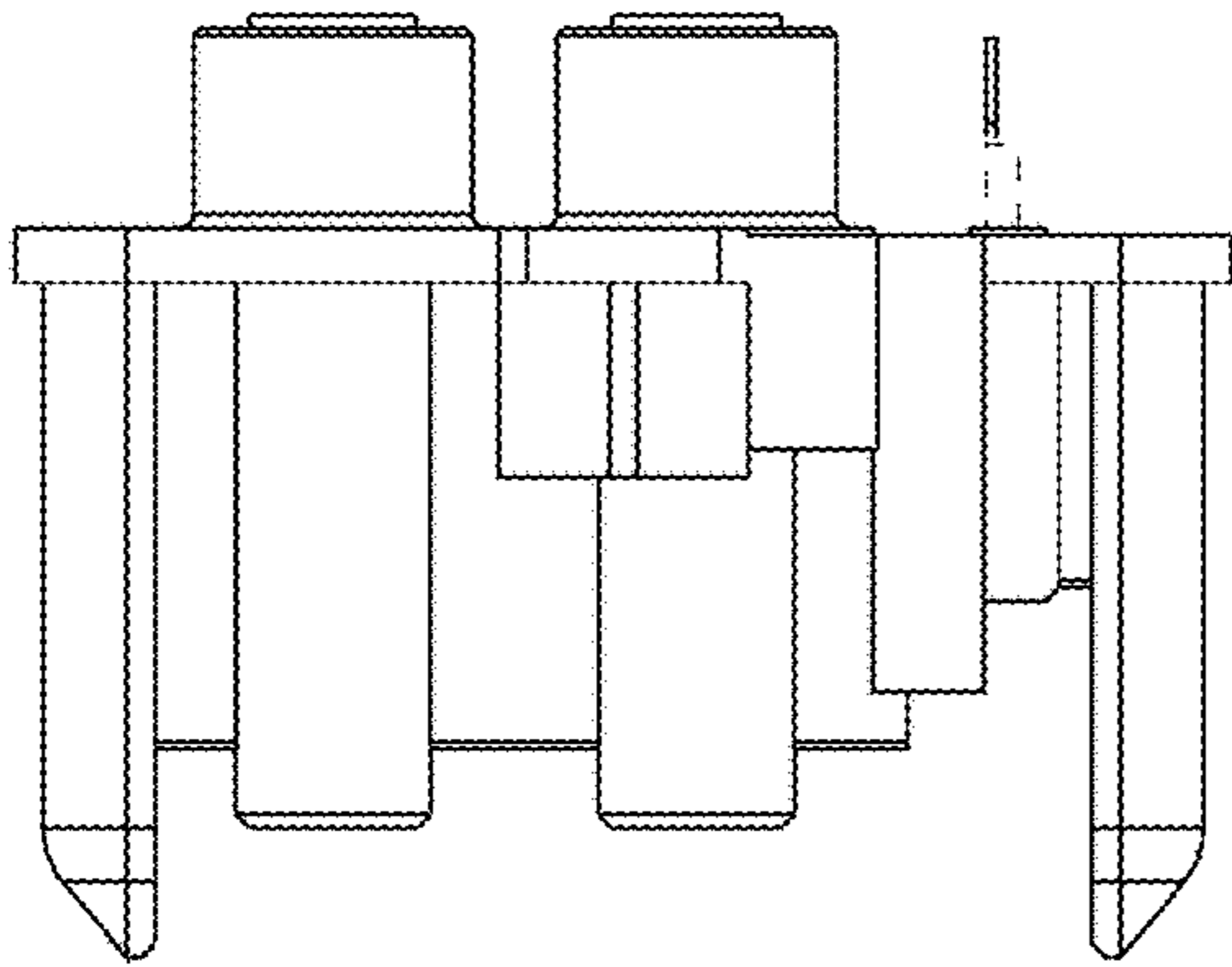


FIG. 6

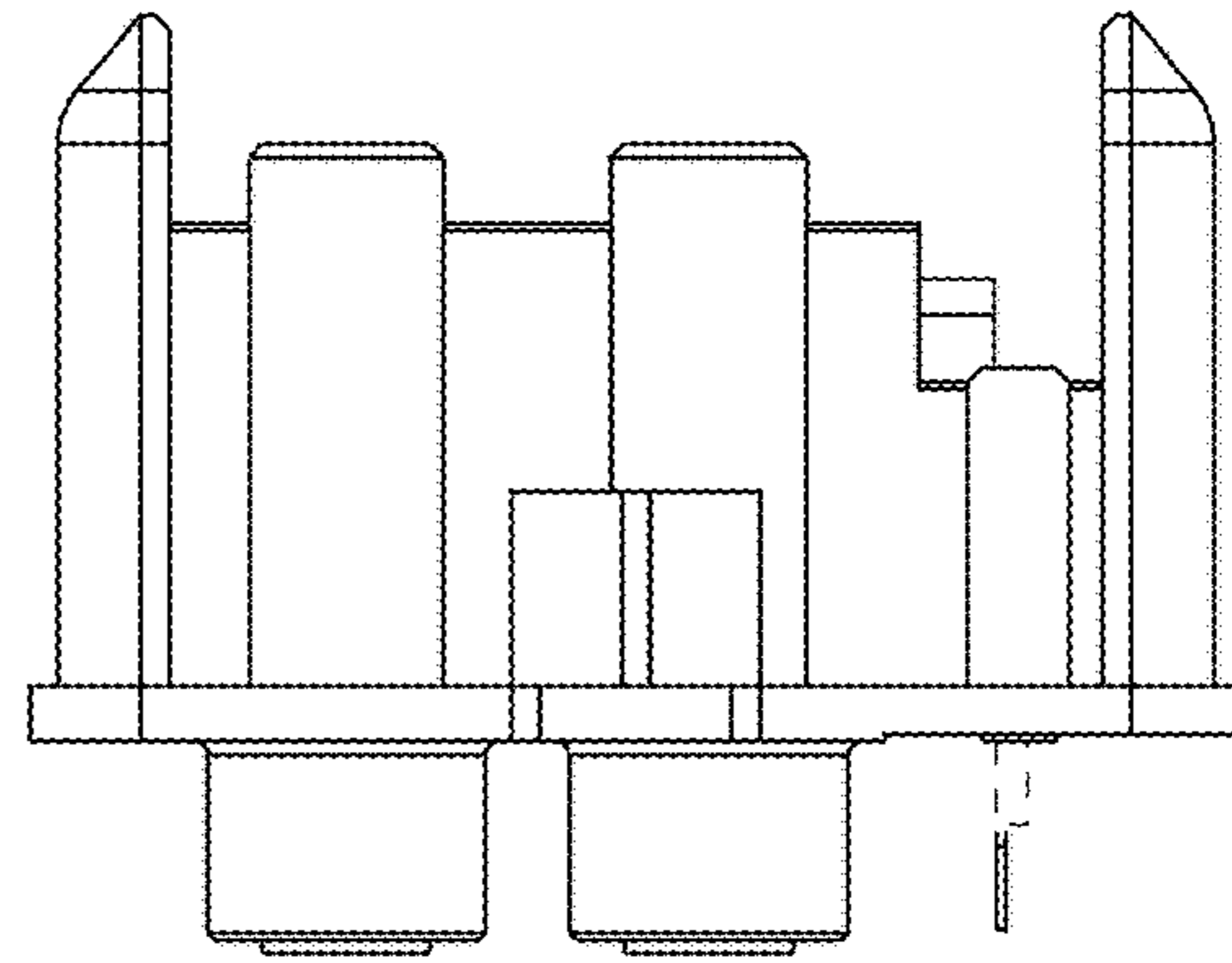


FIG. 7

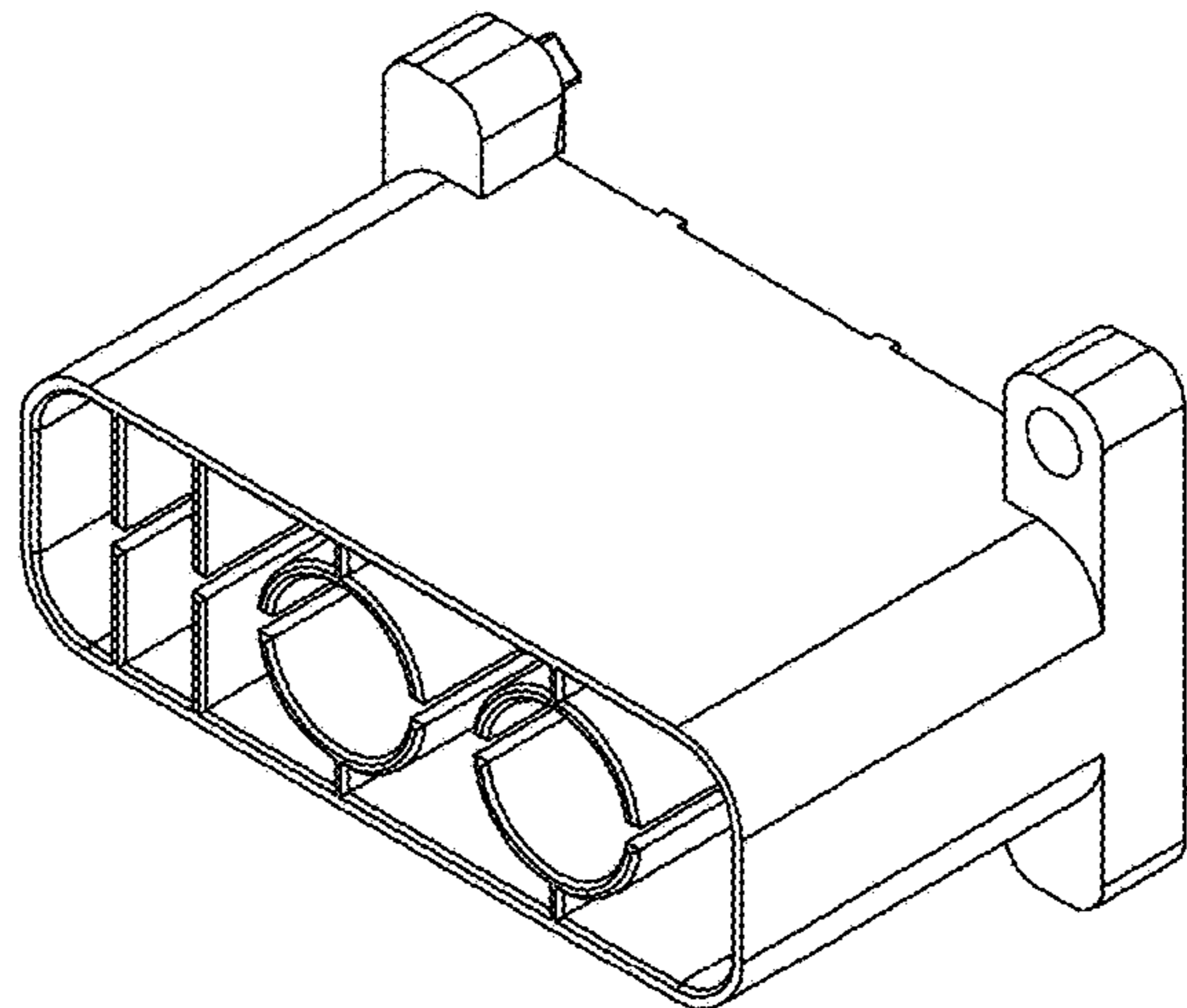


FIG. 8

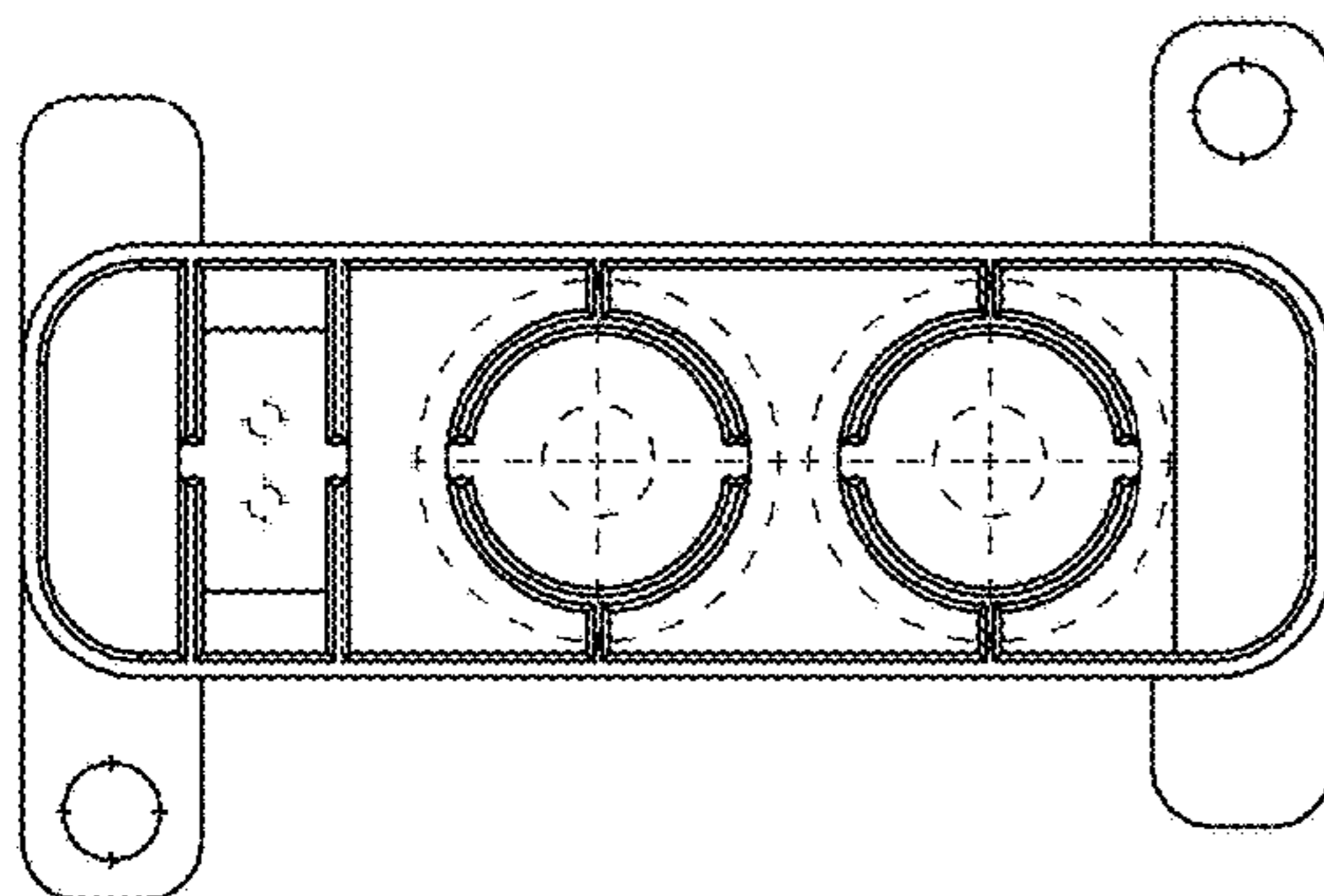


FIG. 9

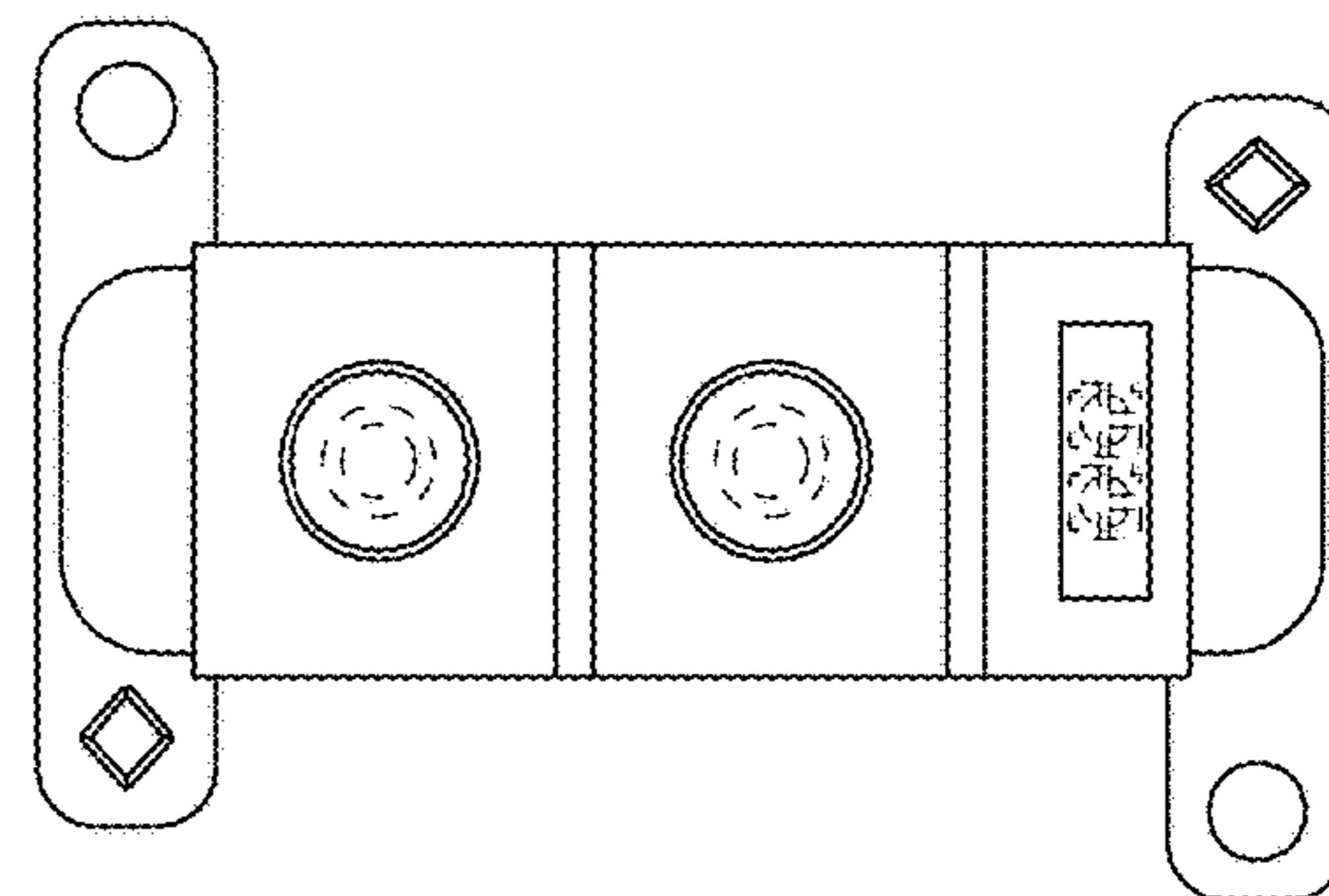


FIG. 10

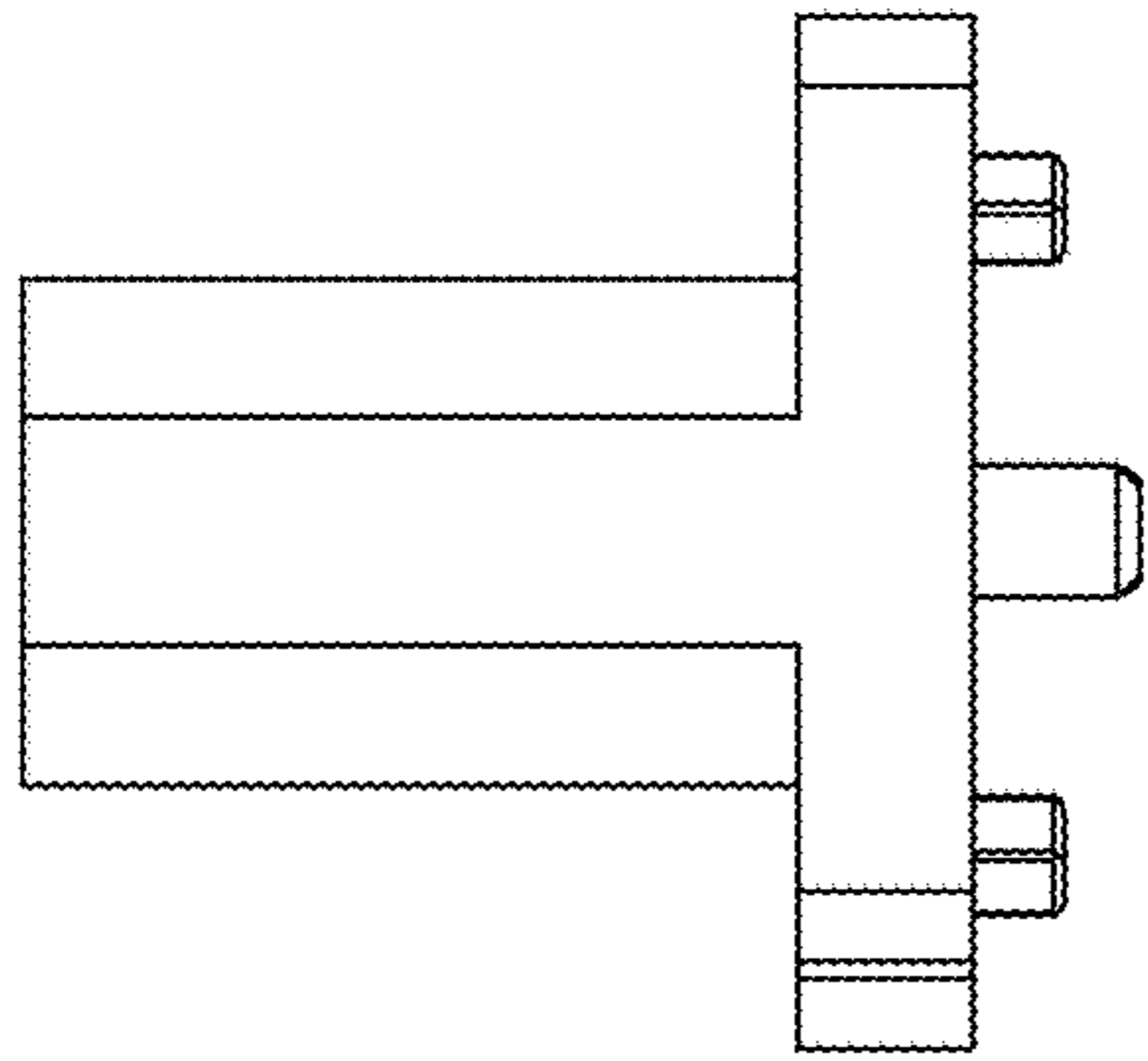


FIG. 11

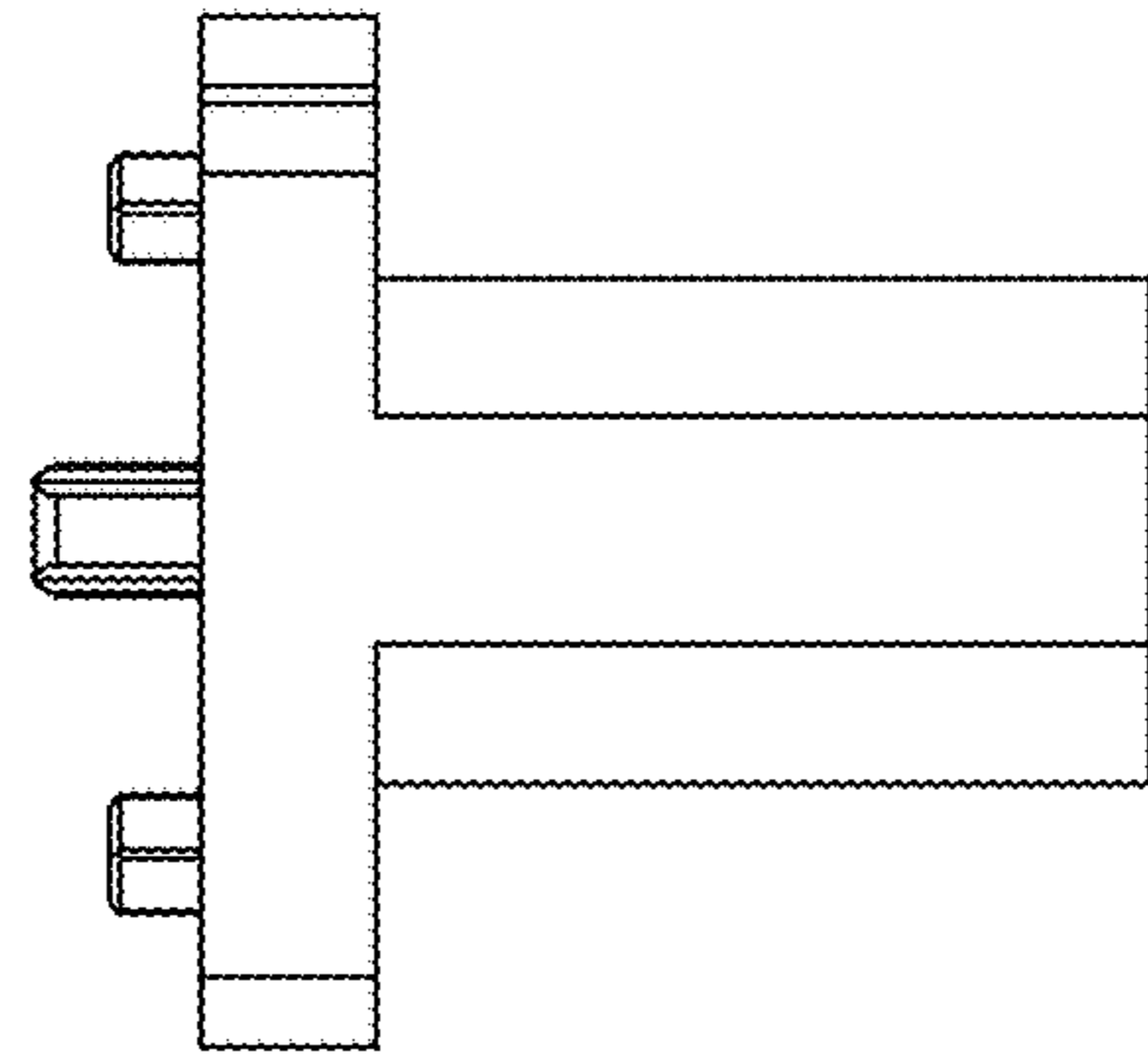


FIG. 12

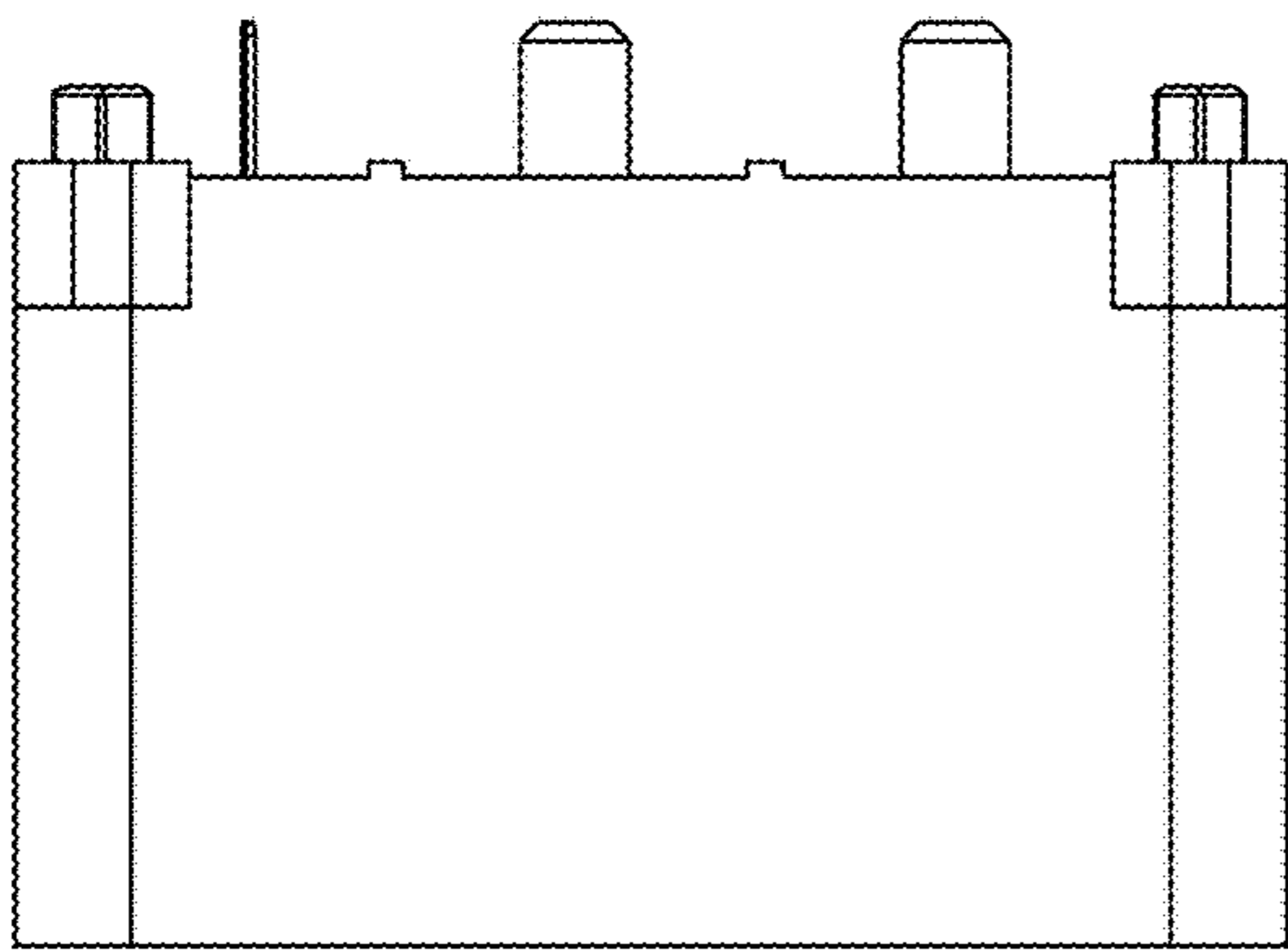


FIG. 13

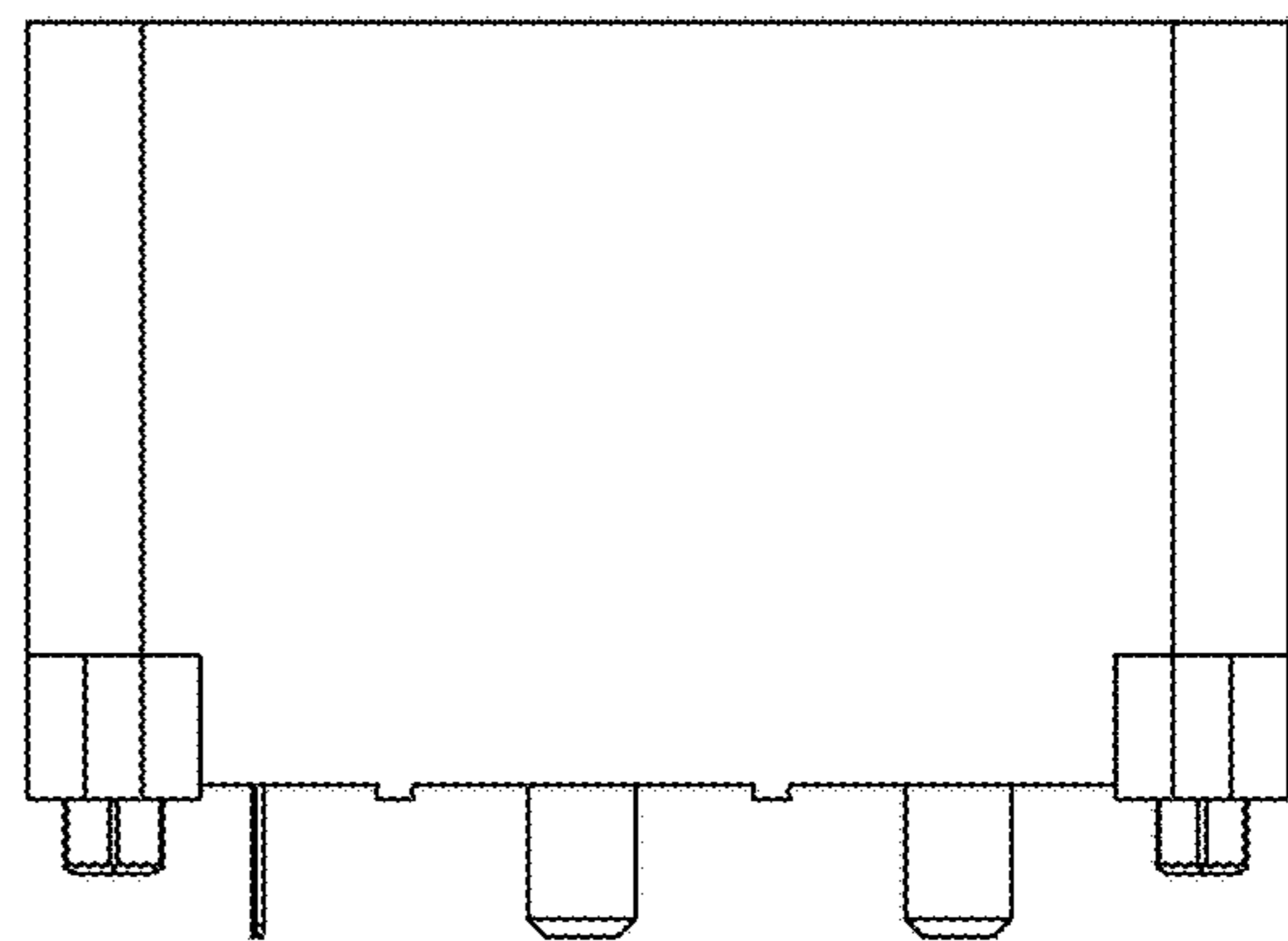


FIG. 14