



US00D803155S

(12) **United States Design Patent**
Meyer

(10) **Patent No.:** **US D803,155 S**

(45) **Date of Patent:** **** Nov. 21, 2017**

(54) **CONCRETE VIBRATOR MOTOR AND HOUSING THEREFORE**

(71) Applicant: **Wacker Neuson Produktion GmbH & Co. KG**, Munich (DE)

(72) Inventor: **Matthias Meyer**, Munich (DE)

(73) Assignee: **Wacker Neuson Produktion GmbH & Co. KG**, Reichershoven (DE)

(**) Term: **15 Years**

(21) Appl. No.: **29/527,679**

(22) Filed: **May 21, 2015**

(30) **Foreign Application Priority Data**

Mar. 17, 2015 (EP) 002657684-0001

(51) **LOC (10) Cl.** **13-01**

(52) **U.S. Cl.**
USPC **D13/112**

(58) **Field of Classification Search**
USPC D13/112, 113, 114, 122, 184, 199;
D8/61, 69; D15/1, 5, 7; 29/596, 598;
134/56 R, 116; 310/40 MM, 40 R, 85,
310/88, 89, 239; 322/16, 39; 366/108,
366/120, 122, 128

CPC ... H02K 5/24; H02K 3/24; H02K 3/47; Y10T
74/2186; F16H 2057/02034

See application file for complete search history.

(56) **References Cited**

U.S. PATENT DOCUMENTS

D184,345 S * 2/1959 Ernst D13/112
D259,261 S * 5/1981 MacLaren D13/112
5,716,131 A * 2/1998 Breeding B01F 11/04
224/265
D622,215 S * 8/2010 Heimbruch D13/112
D676,811 S * 2/2013 Marshall D13/112

* cited by examiner

Primary Examiner — Derrick Holland

(74) *Attorney, Agent, or Firm* — Boyle Fredrickson, S.C.

(57) **CLAIM**

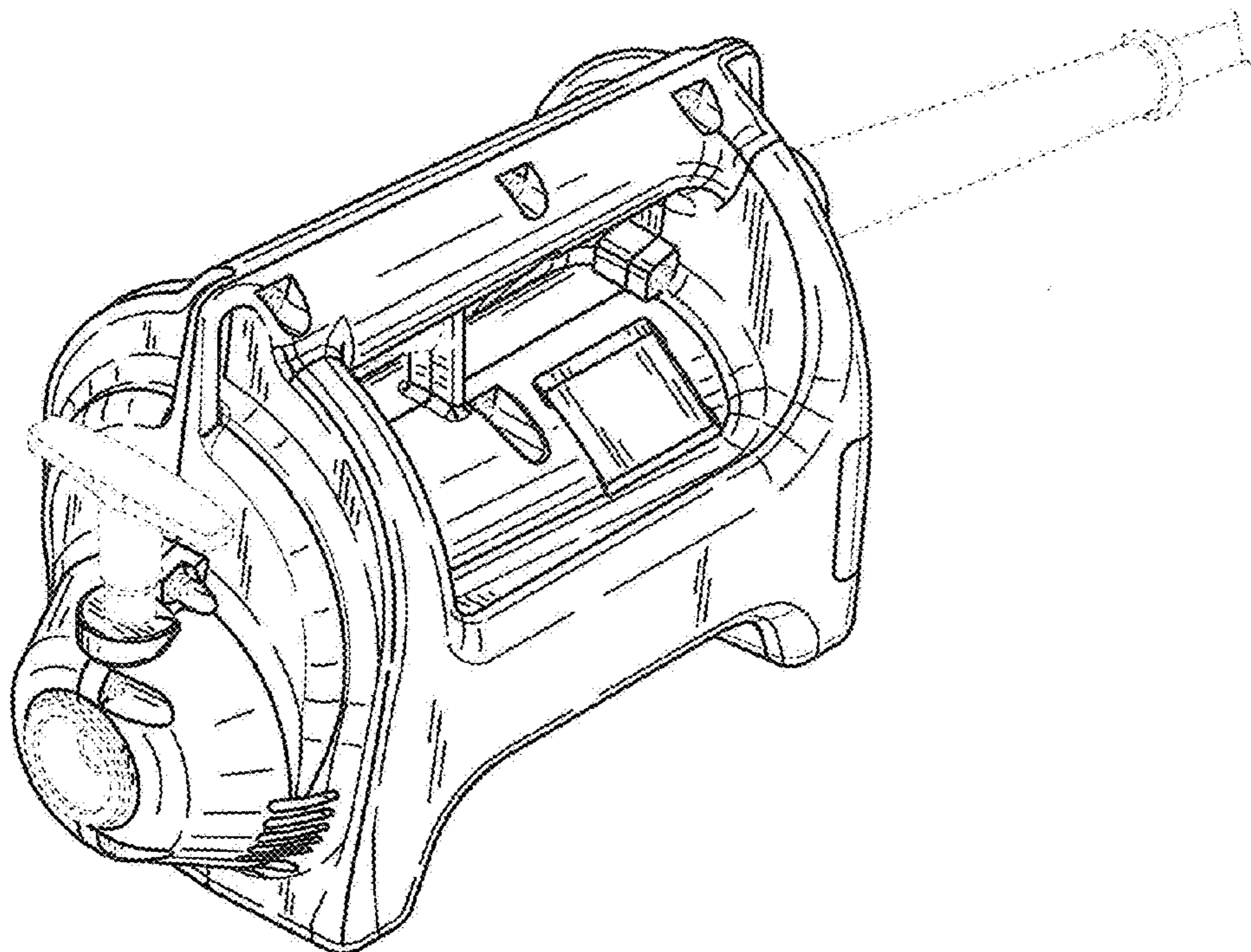
The ornamental design for a concrete vibrator motor and housing therefore, as shown and described.

DESCRIPTION

FIG. 1 is an isometric view of a concrete vibrator motor and housing therefore showing my new design; FIG. 2 is a left side elevation view thereof; FIG. 3 is a right side elevation view thereof; FIG. 4 is top plan view thereof; FIG. 5 is a bottom plan view thereof; FIG. 6 is a front side elevation view thereof; and, FIG. 7 is a rear side elevation view thereof.

The broken lines shown represent unclaimed subject matter and form no part of the claimed design.

1 Claim, 7 Drawing Sheets



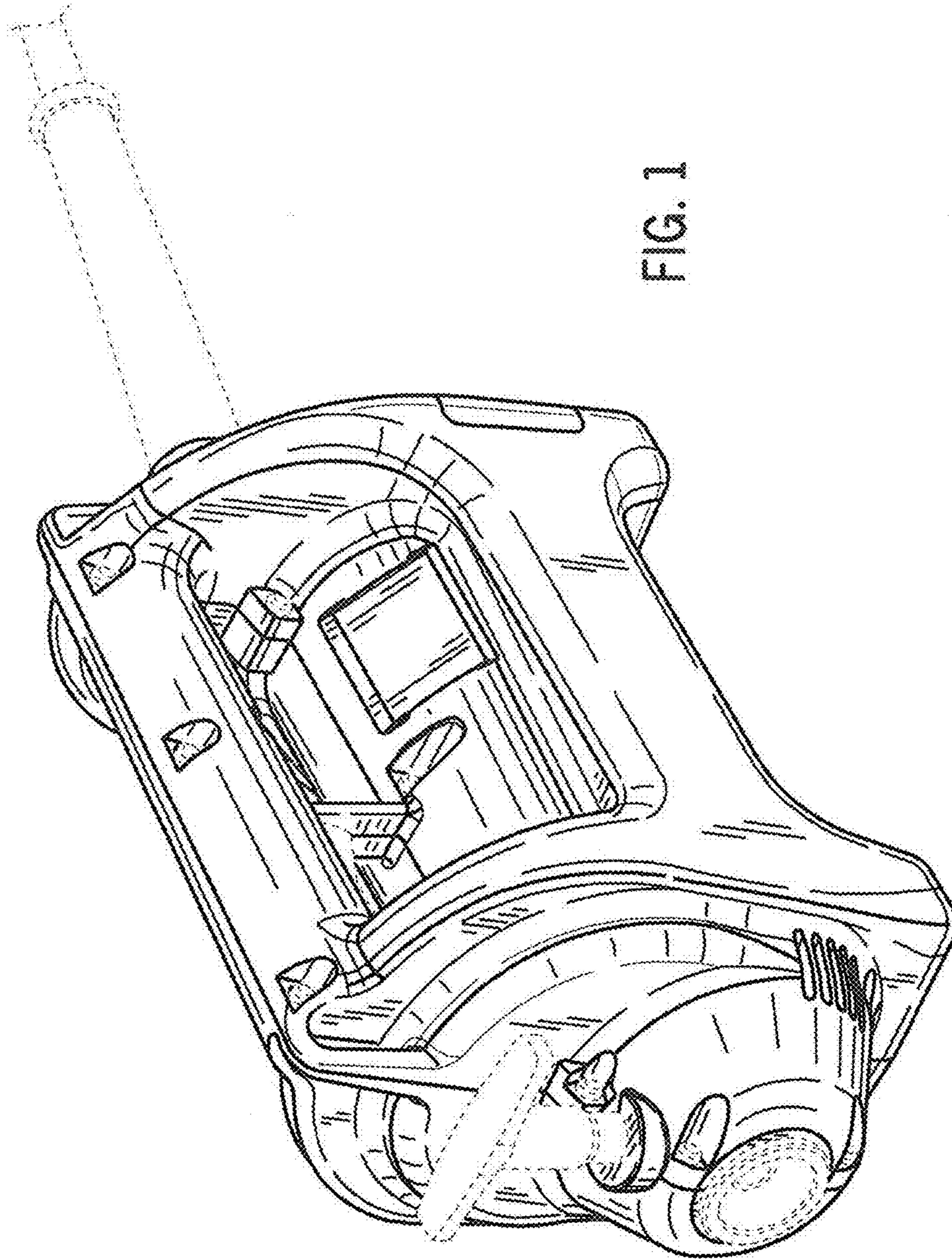


FIG. 1

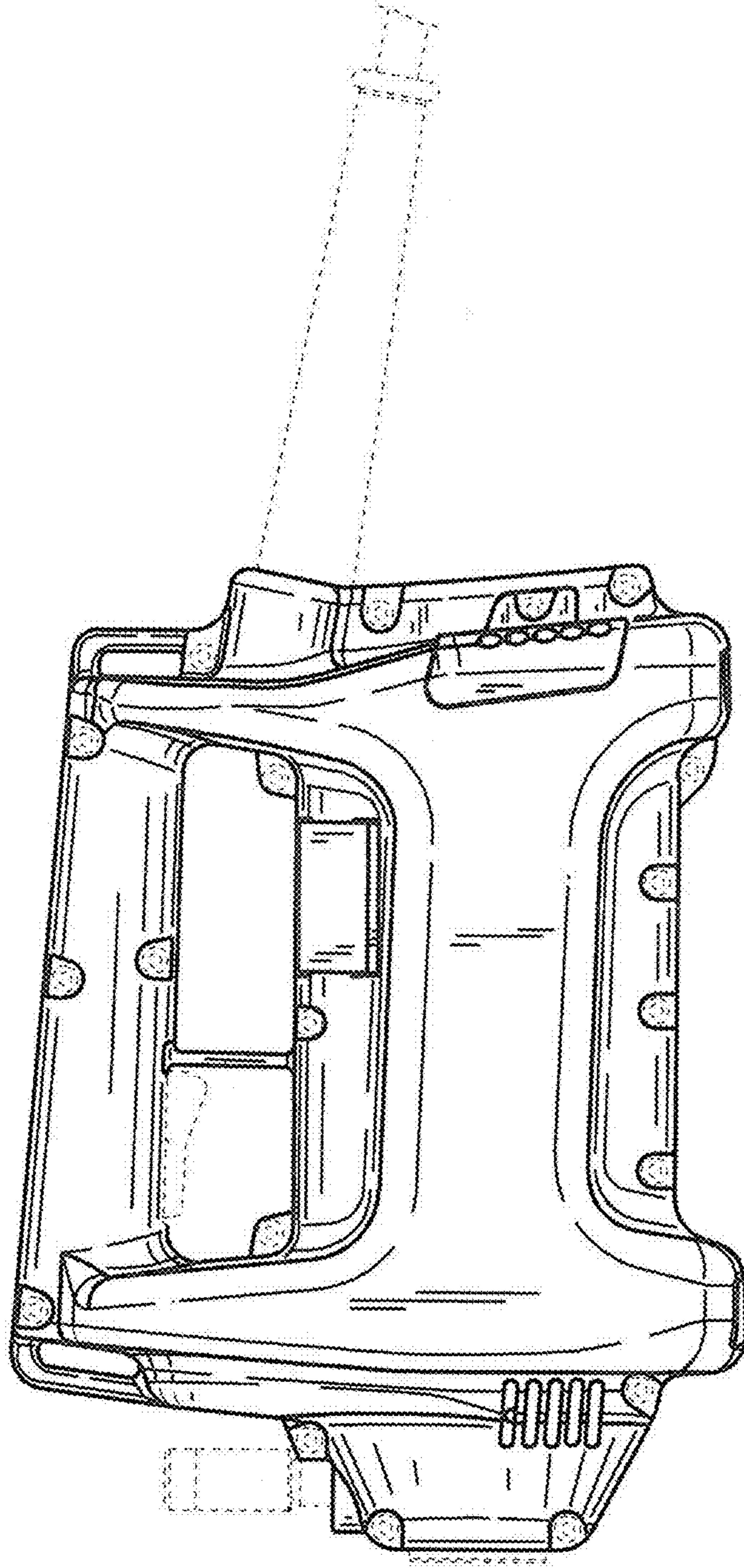


FIG. 2

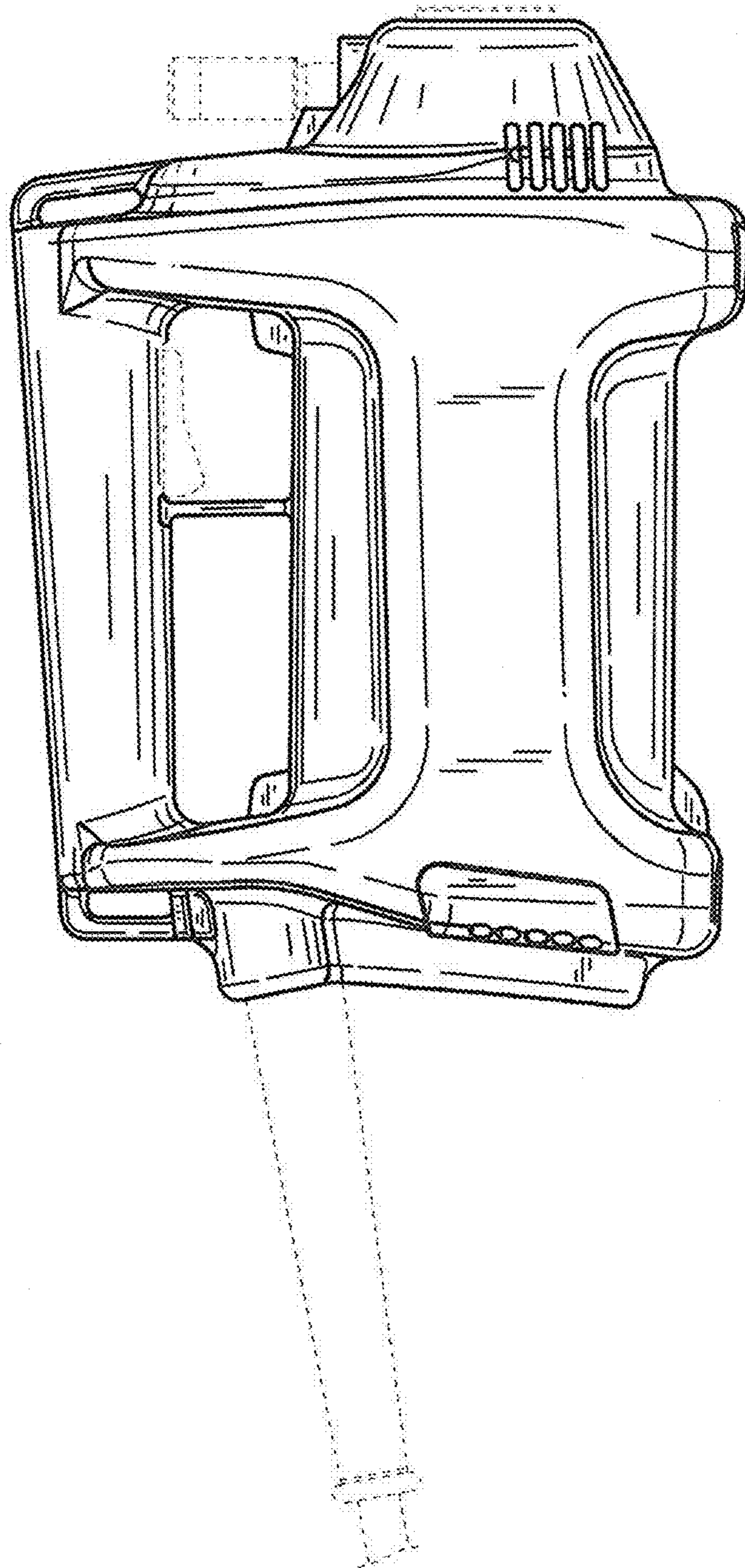


FIG. 3

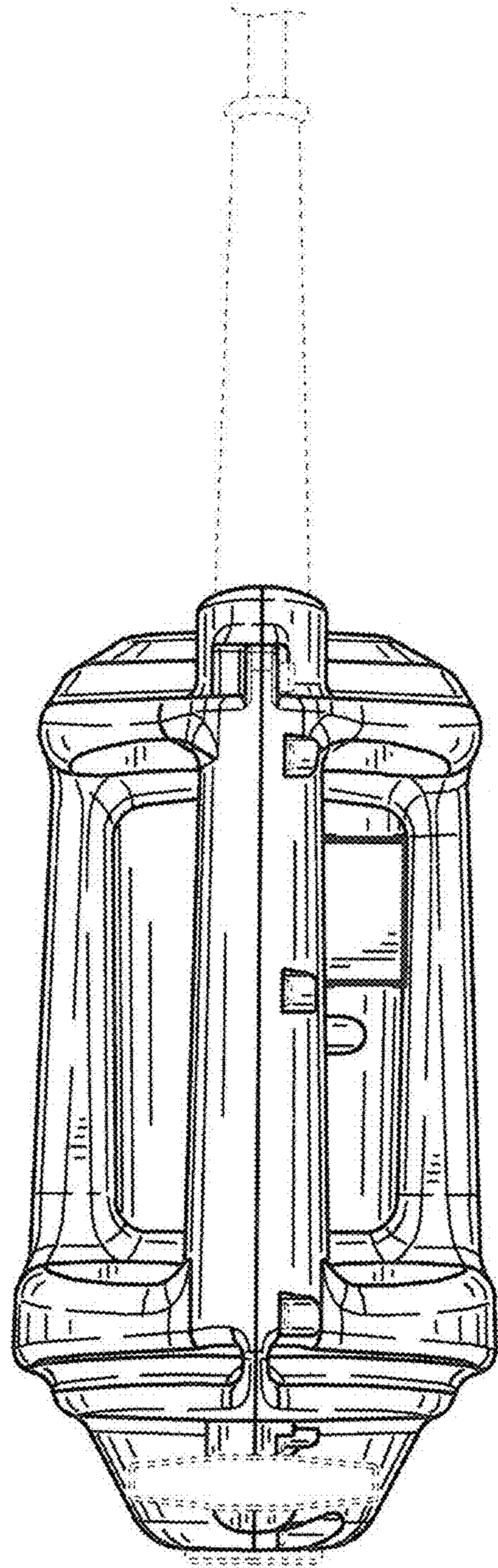


FIG. 4

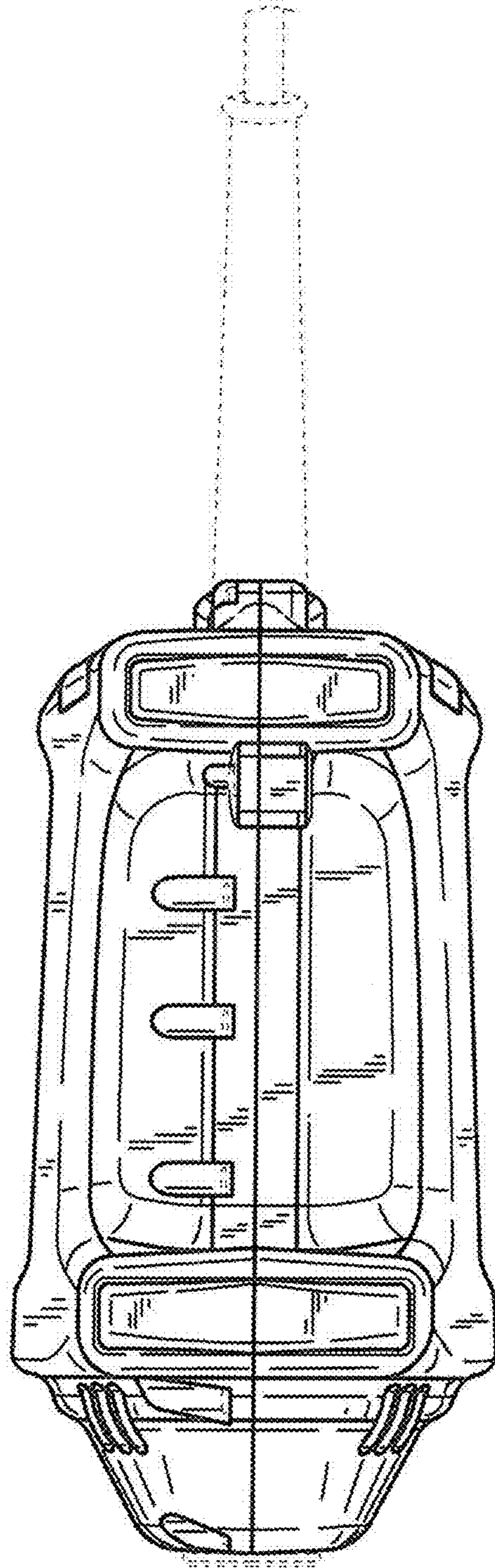


FIG. 5

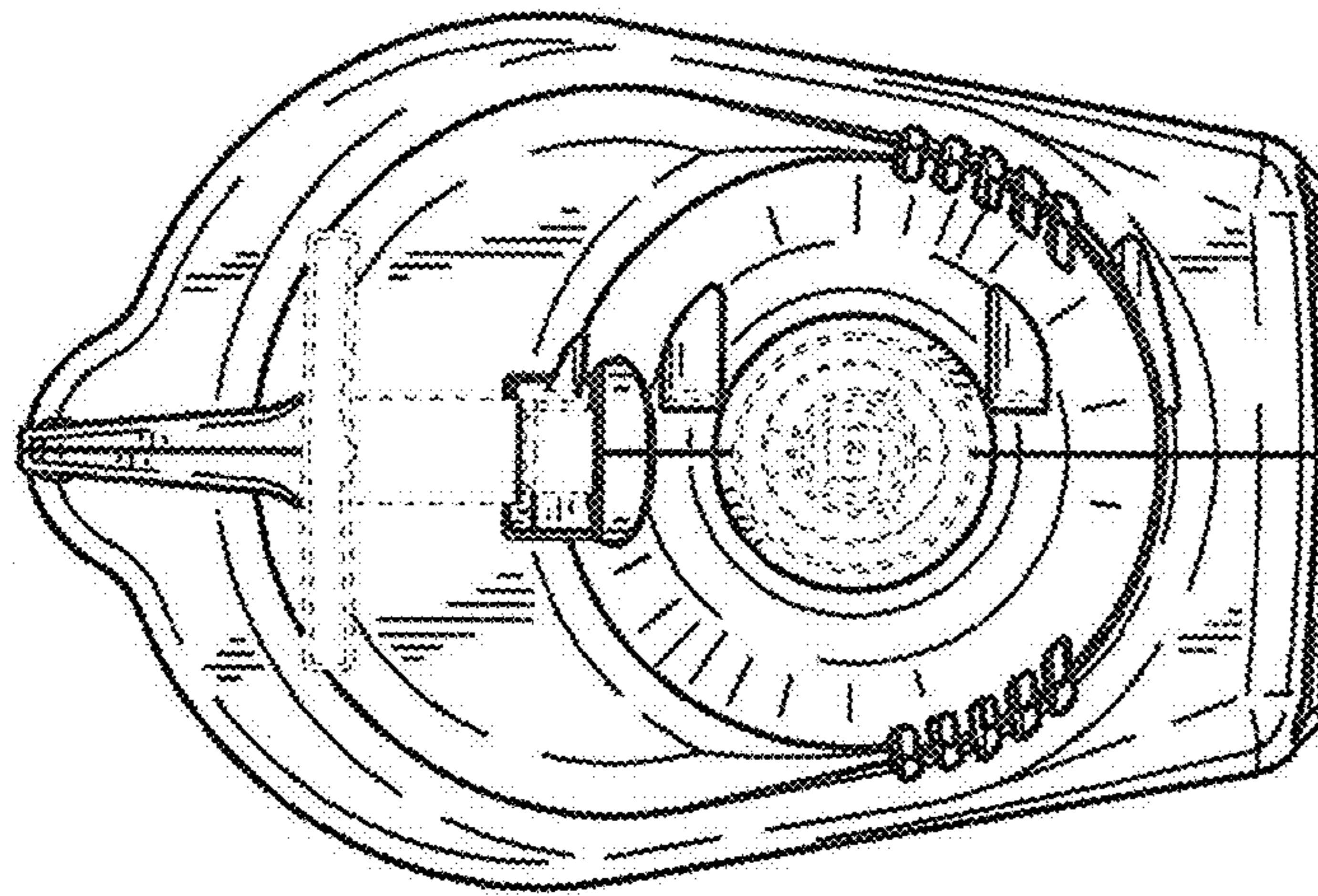


FIG. 6

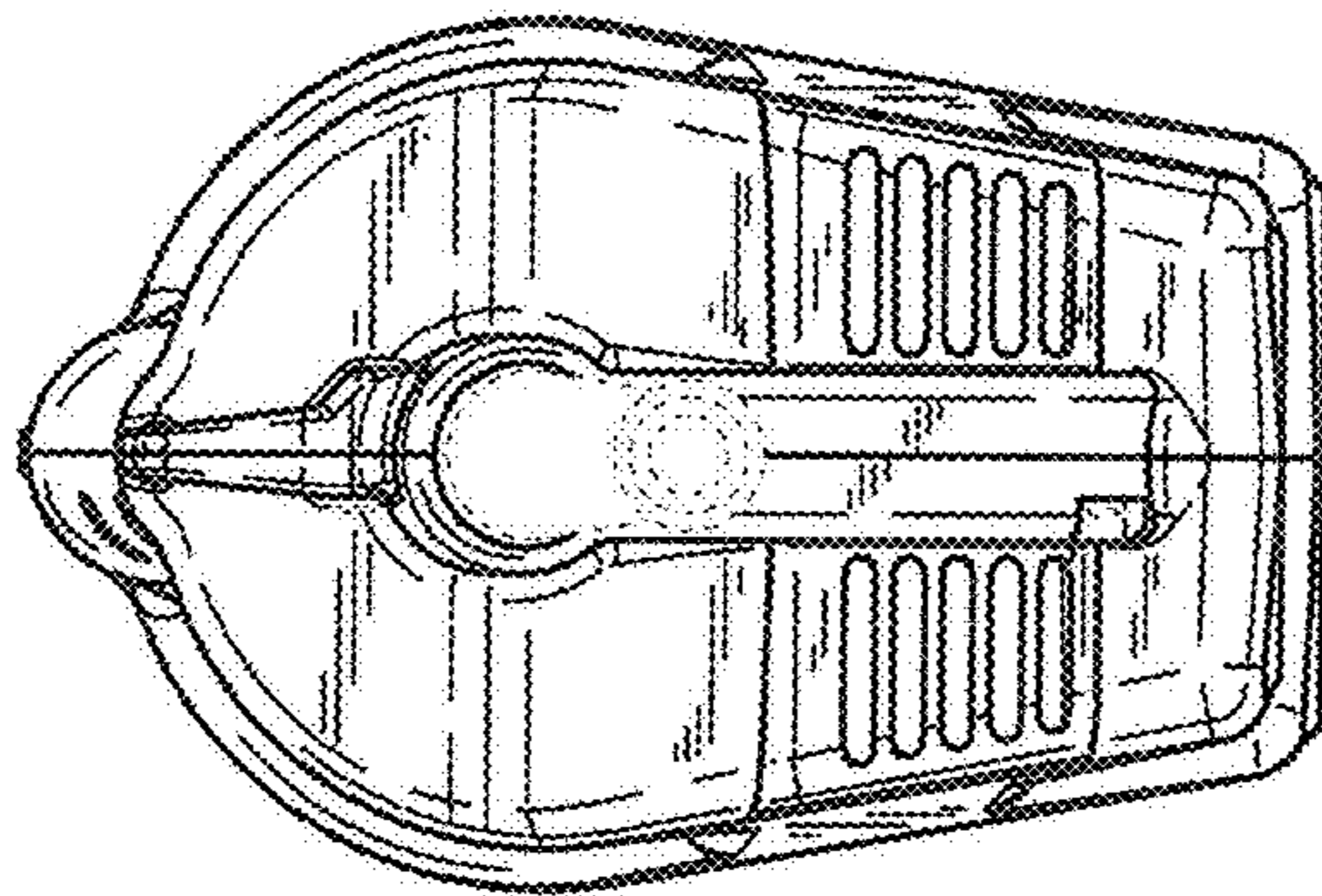


FIG. 7