



US00D803154S

(12) **United States Design Patent** (10) **Patent No.:** **US D803,154 S**
Delmaere (45) **Date of Patent:** **** Nov. 21, 2017**

(54) **CURRENT TRANSDUCER**
(71) Applicant: **LEM INTELLECTUAL PROPERTY SA, Fribourg (CH)**
(72) Inventor: **Christophe Delmaere, Yvoire (FR)**
(**) Term: **15 Years**
(21) Appl. No.: **35/500,809**
(22) Filed: **Oct. 14, 2015**
(80) **Hague Agreement Data**
Int. Filing Date: **Oct. 14, 2015**
Int. Reg. No.: **DM/088084**
Int. Reg. Date: **Oct. 14, 2015**
Int. Reg. Pub. Date: **Apr. 15, 2016**

(30) **Foreign Application Priority Data**
Apr. 21, 2015 (CH) 141531
(51) **LOC (10) Cl.** **13-01**
(52) **U.S. Cl.**
USPC **D13/110**
(58) **Field of Classification Search**
USPC D13/110, 101, 117, 123, 124, 159, 184,
D13/199; D10/75; D14/222
CPC H04R 2499/11; H04R 1/28; A61B
17/320068; B06B 1/0618; G01L 19/147;
G01R 15/241
See application file for complete search history.

(56) **References Cited**
U.S. PATENT DOCUMENTS
5,184,107 A * 2/1993 Maurer G01L 19/0084
29/621.1
D468,683 S * 1/2003 Maurer D13/101

7,615,986 B2 * 11/2009 Nomoto G01R 15/202
324/117 H
D656,850 S * 4/2012 Marcoz D10/79
D684,927 S * 6/2013 Sage D13/110
D685,325 S * 7/2013 Hayashi D13/110
D685,734 S * 7/2013 Sage D13/110
D686,156 S * 7/2013 Ye D13/110
D686,989 S * 7/2013 Hayashi D13/110
D688,626 S * 8/2013 Ye D13/110
8,618,796 B2 * 12/2013 Teppan G01R 15/185
324/117 H
D742,842 S * 11/2015 Hayashi D13/182
D751,034 S * 3/2016 Ye D13/110
D766,180 S * 9/2016 Morel D13/110
D769,190 S * 10/2016 Sid D13/110
D769,817 S * 10/2016 Sid D13/110
2016/0313373 A1 * 10/2016 Plagne G01R 15/183
2016/0327593 A1 * 11/2016 Labbe G01R 15/185
2017/0010310 A1 * 1/2017 Morel G01R 1/04

* cited by examiner

Primary Examiner — Darlington Ly

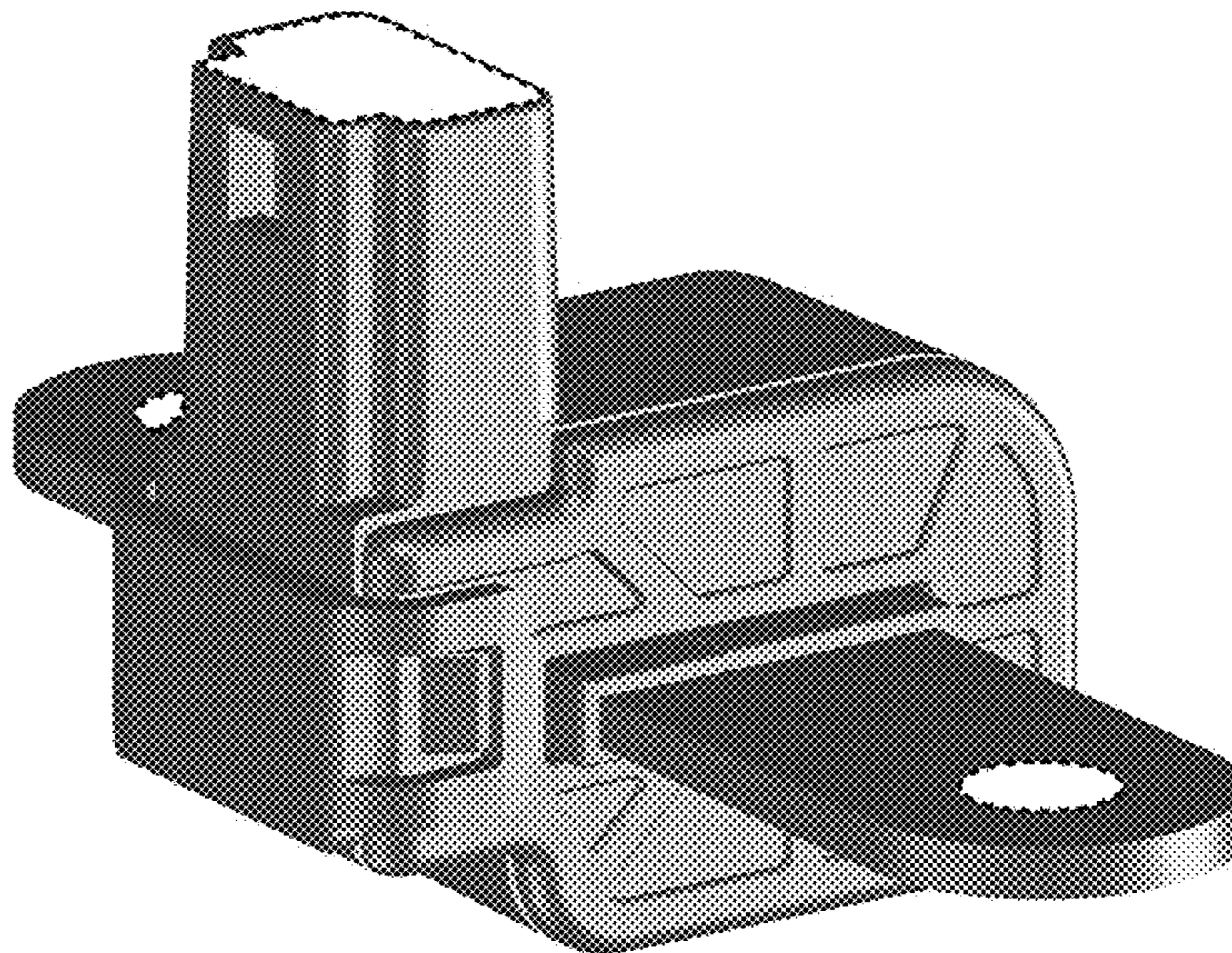
(57) **CLAIM**

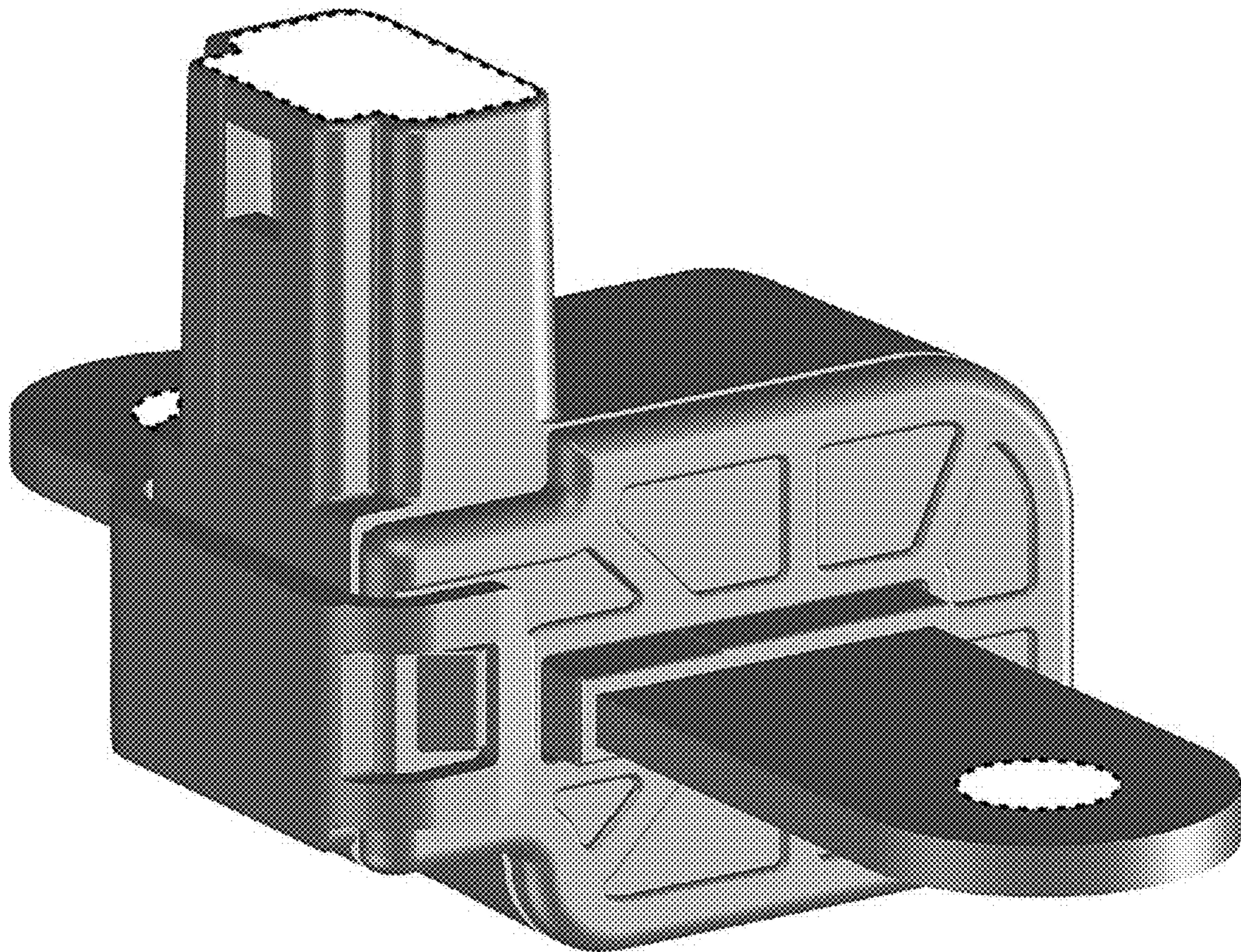
The ornamental design for a current transducer, as shown and described.

DESCRIPTION

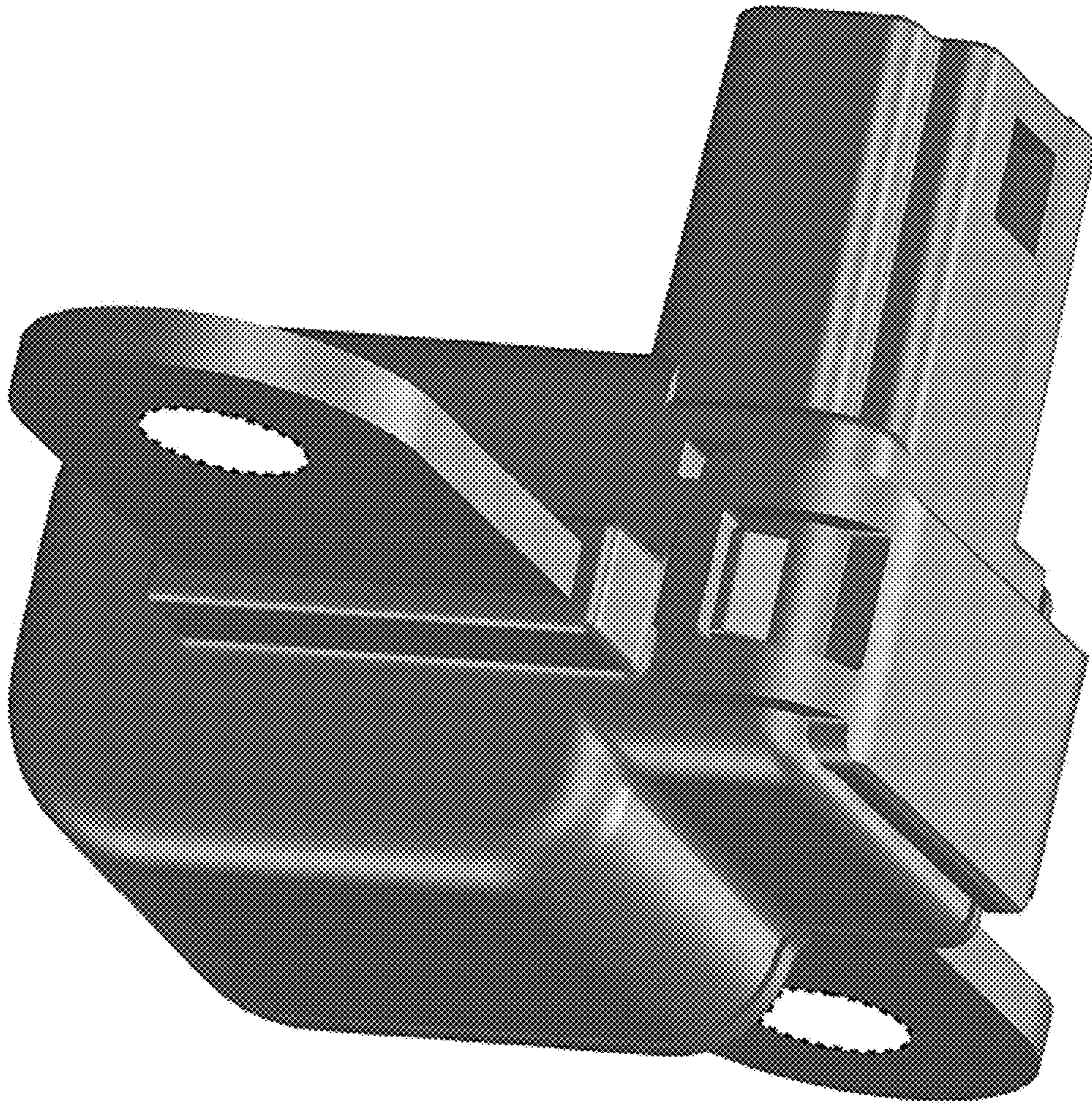
1. Current transducer
1.1 is a top perspective view of a current transducer showing my new design;
1.2 is a bottom perspective view thereof;
1.3 is a front elevation view thereof;
1.4 is a rear elevation view thereof;
1.5 is a top plan view thereof;
1.6 is a bottom plan view thereof;
1.7 is a left side elevation view thereof; and
1.8 is a right side elevation view thereof.
The broken lines in the reproductions illustrate portions of the current transducer that form no part of the claimed design.

1 Claim, 8 Drawing Sheets

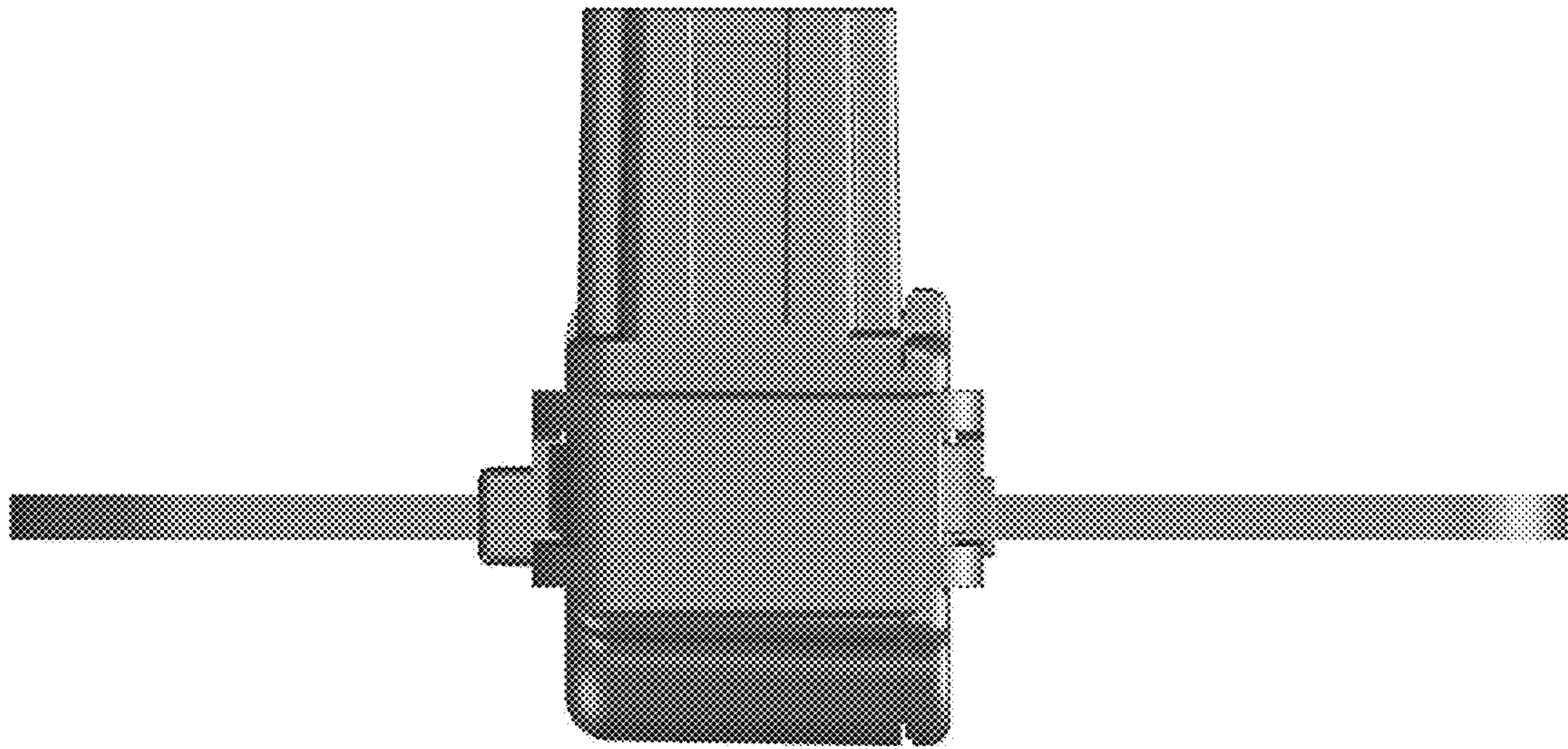




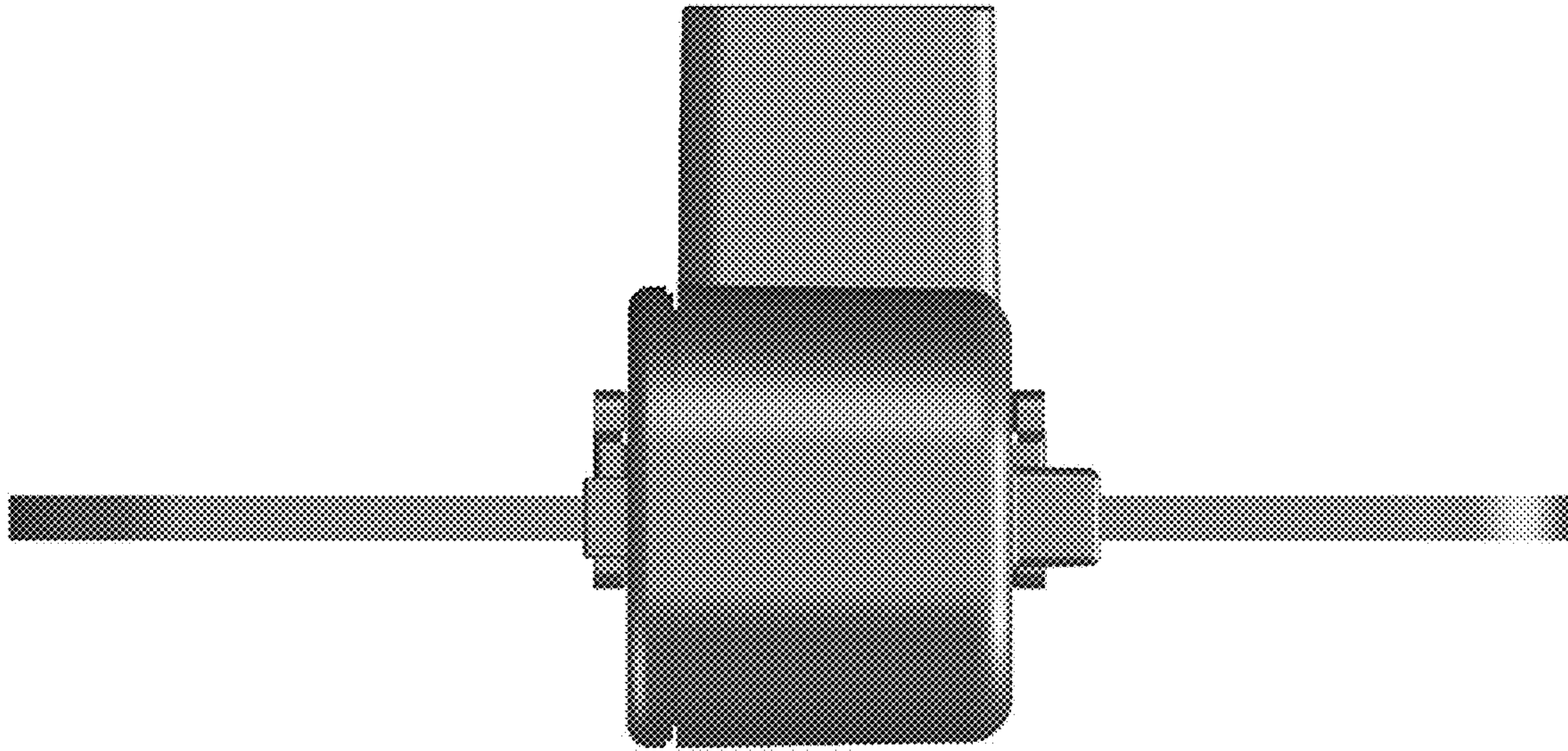
1.1



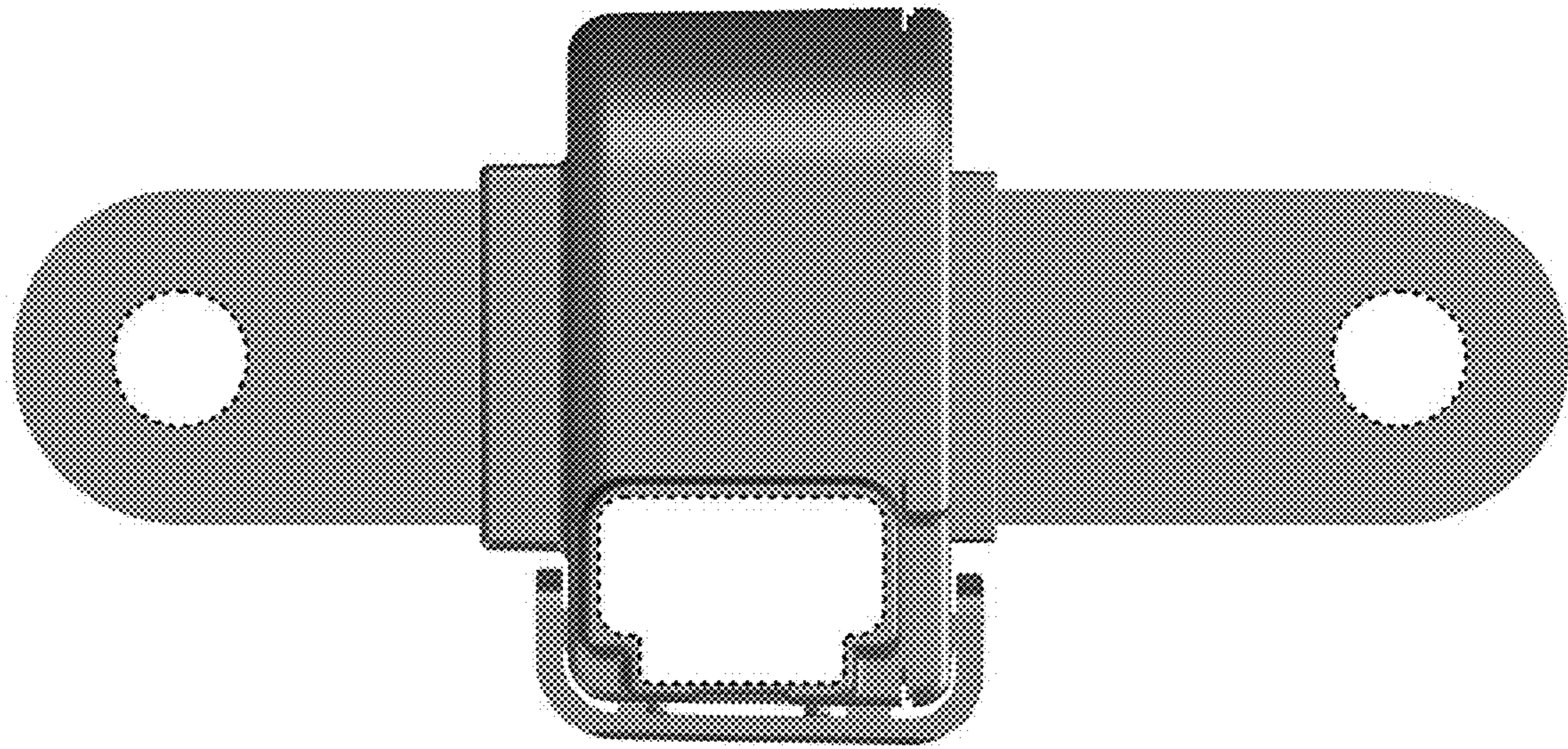
1.2



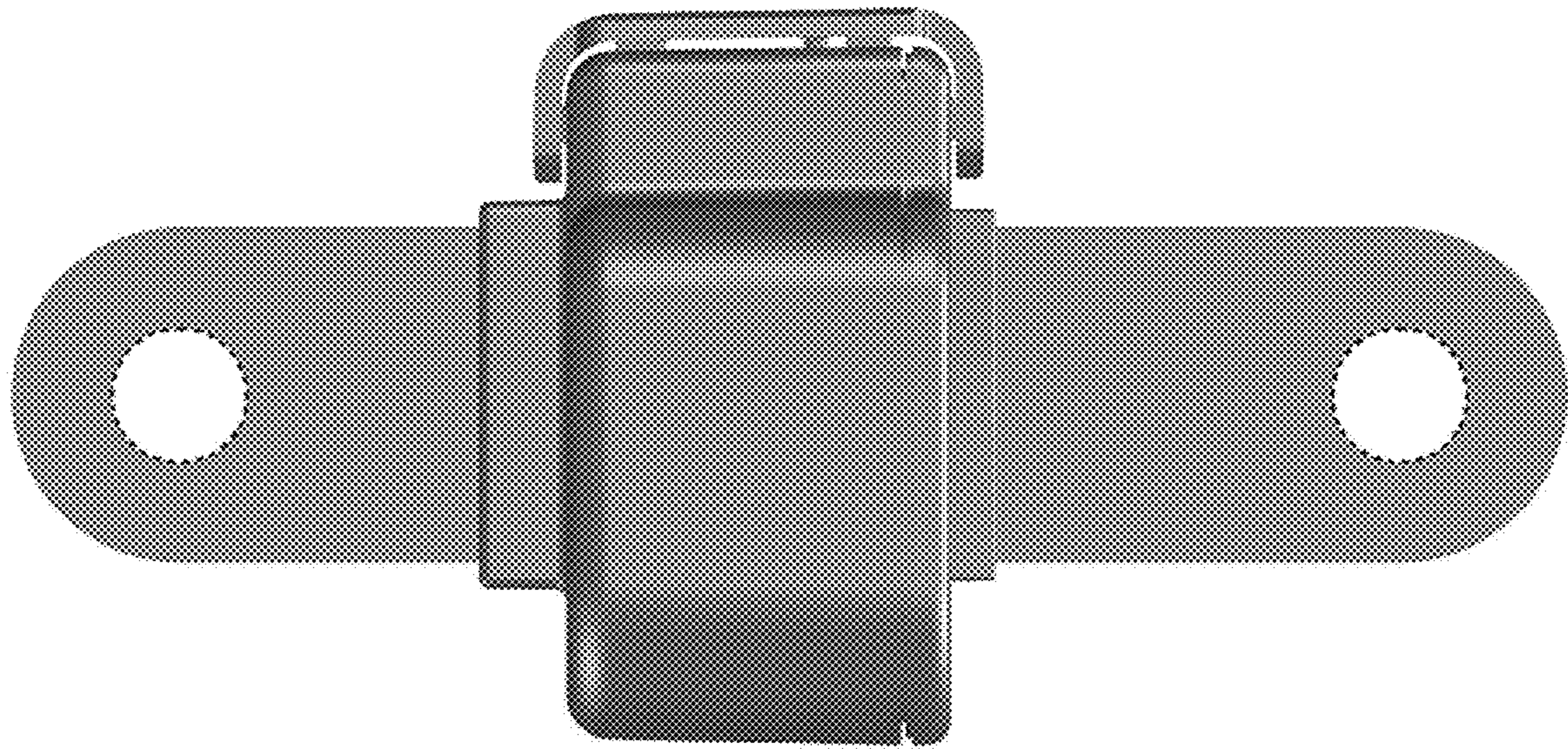
1.3



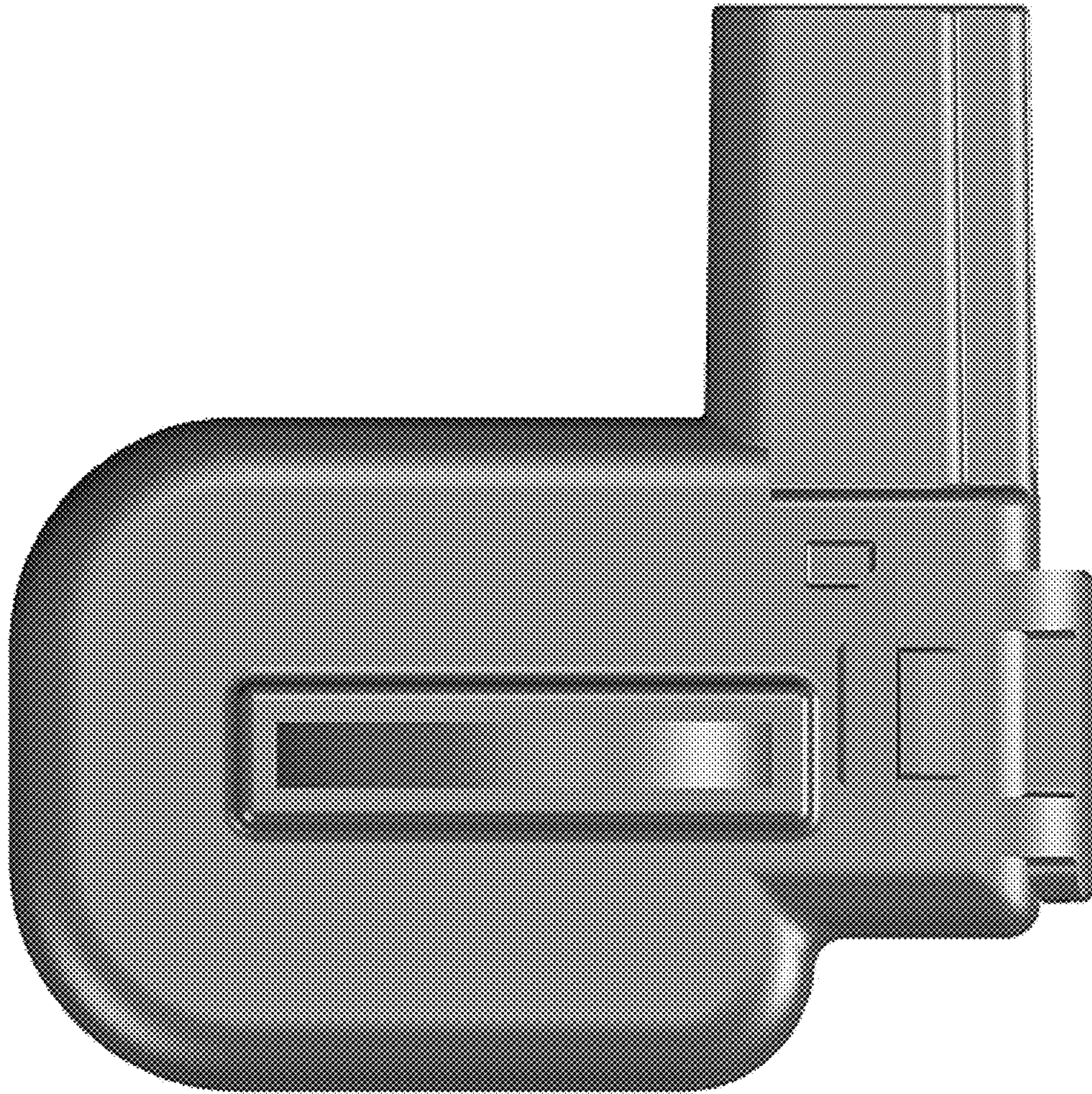
1.4



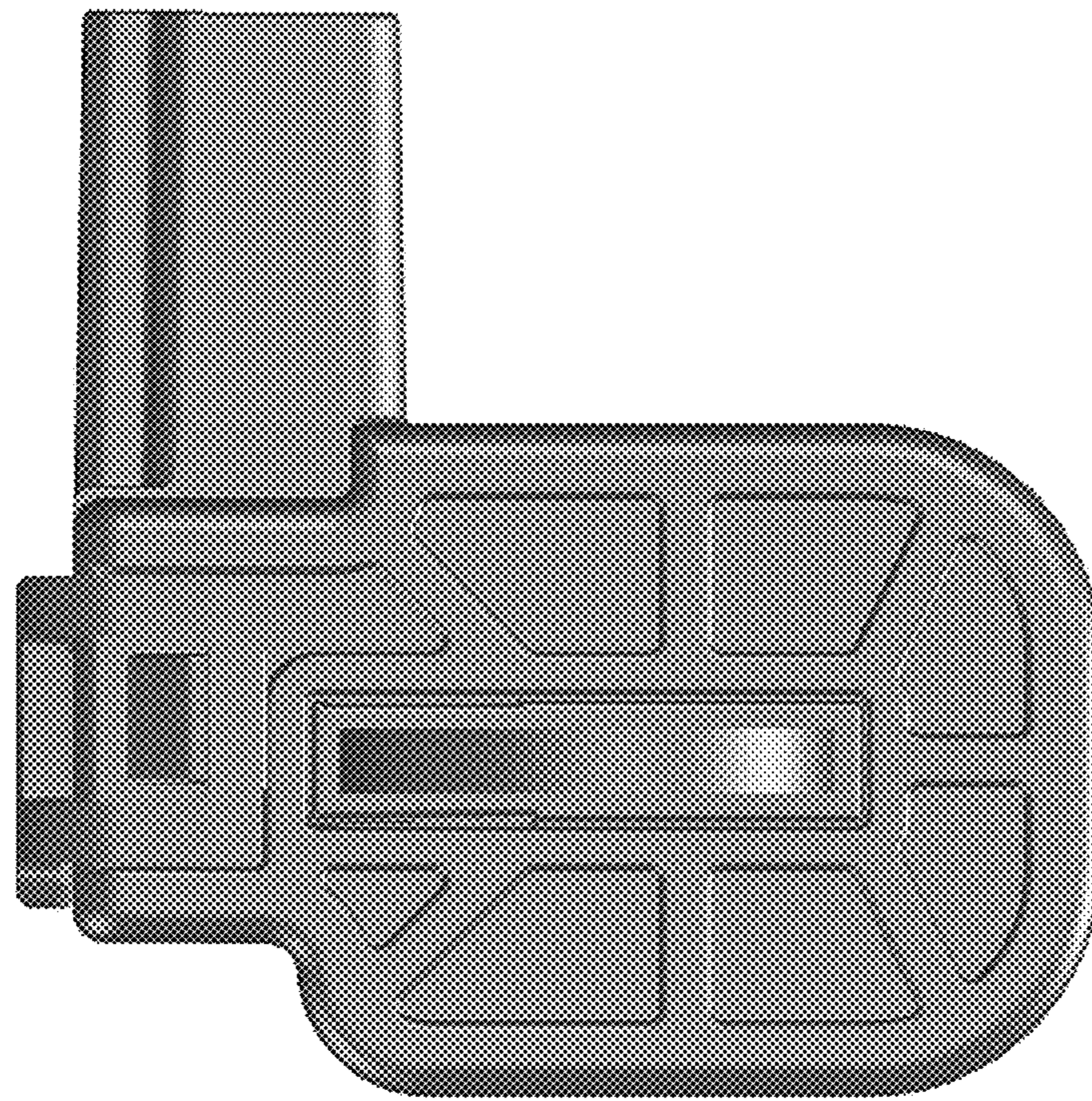
1.5



1.6



1.7



1.8