



US00D803151S

(12) **United States Design Patent** (10) **Patent No.:** **US D803,151 S**
Zhou et al. (45) **Date of Patent:** **** Nov. 21, 2017**

(54) **JUMP STARTER**

H02J 2007/0062; H02J 7/0034; H02J 7/1423; H02J 2001/006; Y02T 10/7005; Y02T 10/705; Y02T 10/7088

(71) Applicant: **Ningbo Gude Electronic Technology Co., Ltd**, Ningbo, Zhejiang (CN)

See application file for complete search history.

(72) Inventors: **Jianrong Zhou**, Zhejiang (CN); **Jun Wang**, Zhejiang (CN); **Shilin Wang**, Zhejiang (CN); **Xiaoliang Chen**, Zhejiang (CN); **Rongjiang Wang**, Zhejiang (CN); **Binbin Jin**, Zhejiang (CN)

(56) **References Cited**

U.S. PATENT DOCUMENTS

D573,987	S	*	7/2008	Dearborn	D14/363
D701,490	S	*	3/2014	Inskeep	D13/110
D742,822	S	*	11/2015	Ju	D13/103
D743,332	S	*	11/2015	Ju	D13/103
D760,164	S	*	6/2016	Aida	D13/110
D769,188	S	*	10/2016	Miller	D13/107
D780,689	S	*	3/2017	Inskeep	D13/107
D785,563	S	*	5/2017	Yang	D13/103
D786,192	S	*	5/2017	Liu	D13/107
D786,787	S	*	5/2017	Yang	D13/103
D786,790	S	*	5/2017	Miller	D13/108
2012/0281392	A1	*	11/2012	Workman	H02J 7/35 362/183

(73) Assignee: **Ningbo Gude Electronic Technology Co., Ltd**, Ningbo (CN)

(**) Term: **15 Years**

(21) Appl. No.: **29/575,990**

(22) Filed: **Aug. 30, 2016**

(30) **Foreign Application Priority Data**

Jul. 22, 2016 (CN) 2016 3 0337843

(51) **LOC (10) Cl.** **13-02**

(52) **U.S. Cl.**
USPC **D13/107**

(58) **Field of Classification Search**
USPC D13/102-110, 118-119, 184, 199;
D14/356, 432; D15/9

CPC Y02E 60/10; Y02E 60/12; Y02E 60/122;
Y02E 60/124; Y02E 60/50; H01M 2/02;
H01M 2/022; H01M 2/0202; H01M 2/0207;
H01M 2/0212; H01M 2/1061; H01M 2/1022;
H01M 2/1055; H01M 2/1066; H01M 2/105; H01M 2/20;
H01M 2/202; H01M 2/204; H01M 2/206; H01M 10/44;
H01M 10/46; H01M 10/465; H01M 10/482;
H01M 2200/30; H01M 2250/30; H01M 2250/40;
H02J 7/00; H02J 7/0003; H02J 7/0011; H02J 7/0013;
H02J 7/0054; H02J 7/0055; H02J 7/0057;

(Continued)

Primary Examiner — Rosemary K Tarcza

Assistant Examiner — Alison M Ofstun

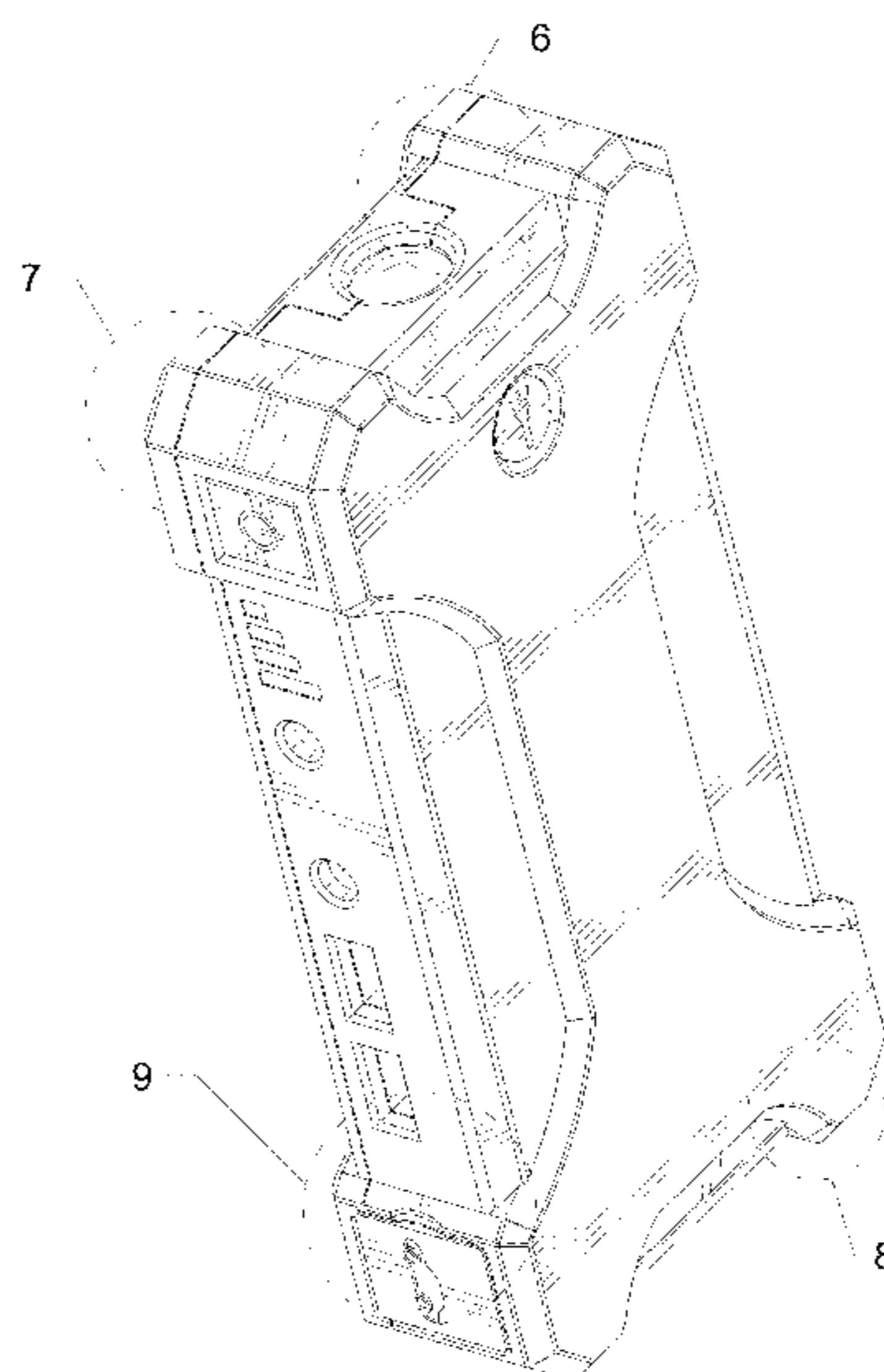
(57) **CLAIM**

The ornamental design for a jump starter, as shown and described.

DESCRIPTION

FIG. 1 is a first perspective view of a jump starter showing our new design;
FIG. 2 is a second perspective view thereof;
FIG. 3 is a third perspective view thereof;
FIG. 4 is a fourth perspective view thereof;
FIG. 5 is a fifth perspective view thereof;
FIG. 6 is an enlarged view of portion F of FIG. 1;
FIG. 7 is an enlarged view of portion G of FIG. 1;
FIG. 8 is an enlarged view of portion H of FIG. 1; and,
FIG. 9 is an enlarged view of portion I of FIG. 1.

1 Claim, 9 Drawing Sheets



(56)

References Cited

U.S. PATENT DOCUMENTS

2015/0054336 A1* 2/2015 Xinfang B60R 16/033
307/9.1
2016/0013673 A1* 1/2016 Workman H01R 13/5202
320/114
2016/0359352 A1* 12/2016 Chiu H02J 7/0047

* cited by examiner

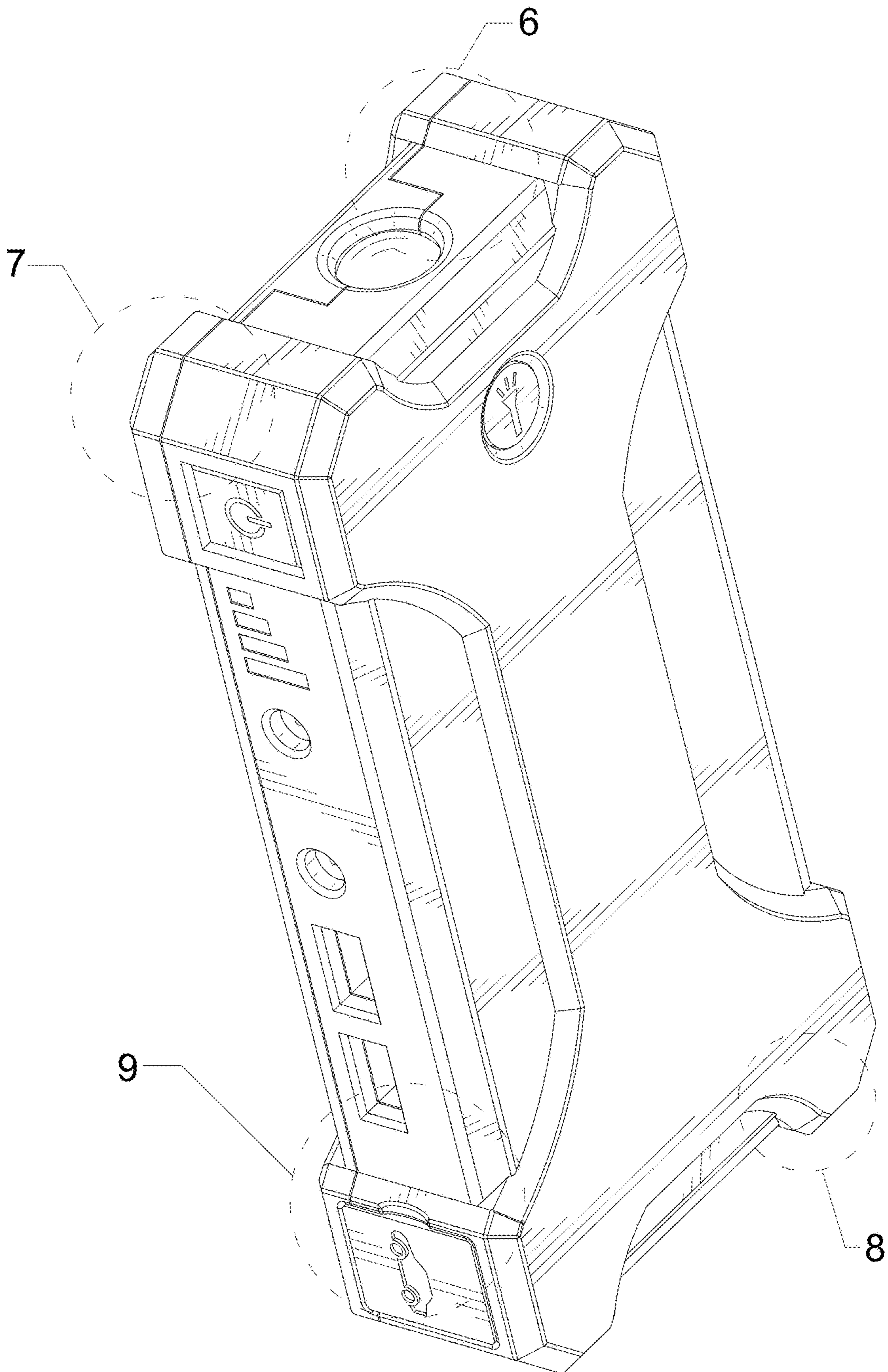


FIG.1

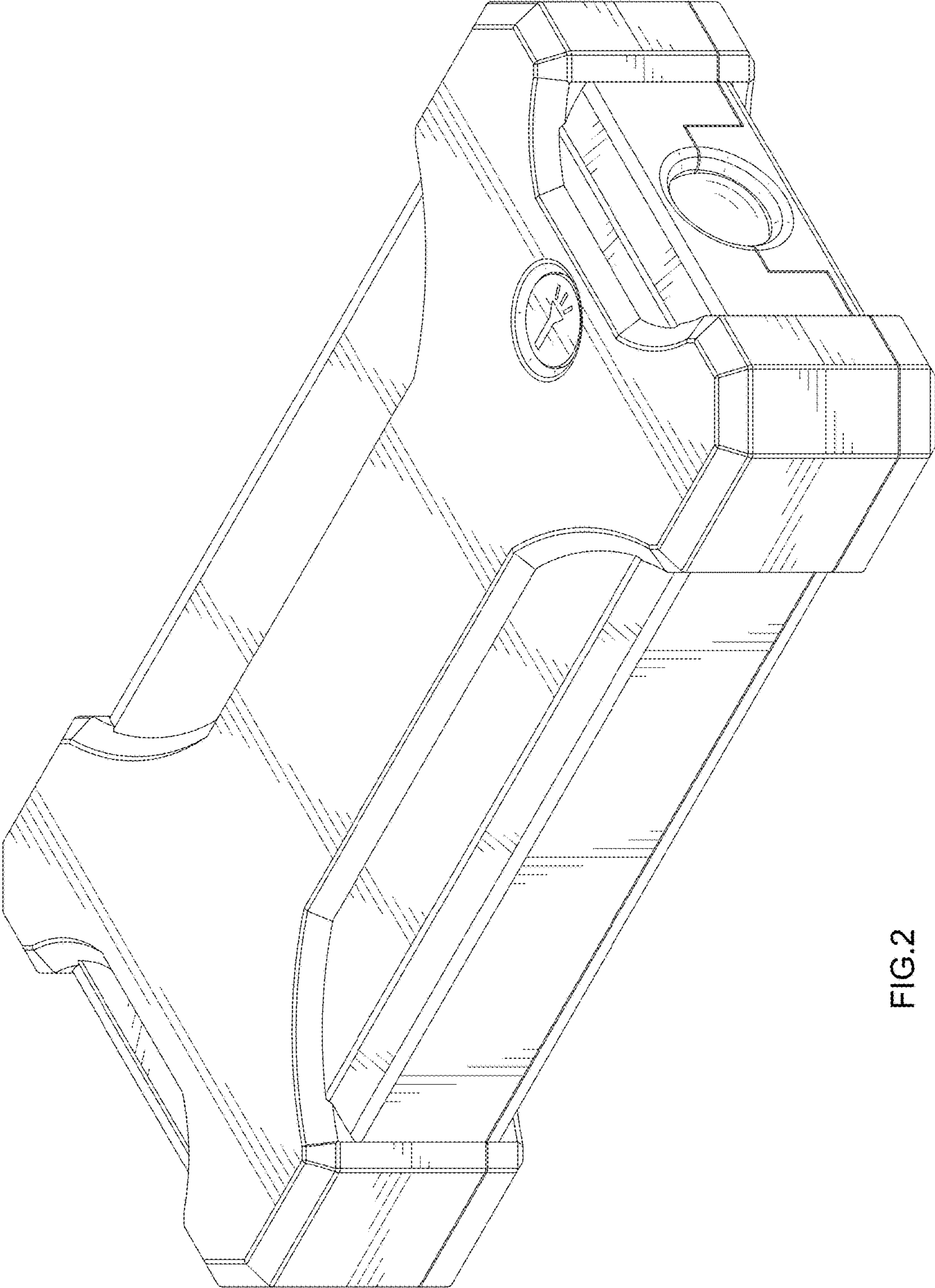


FIG.2

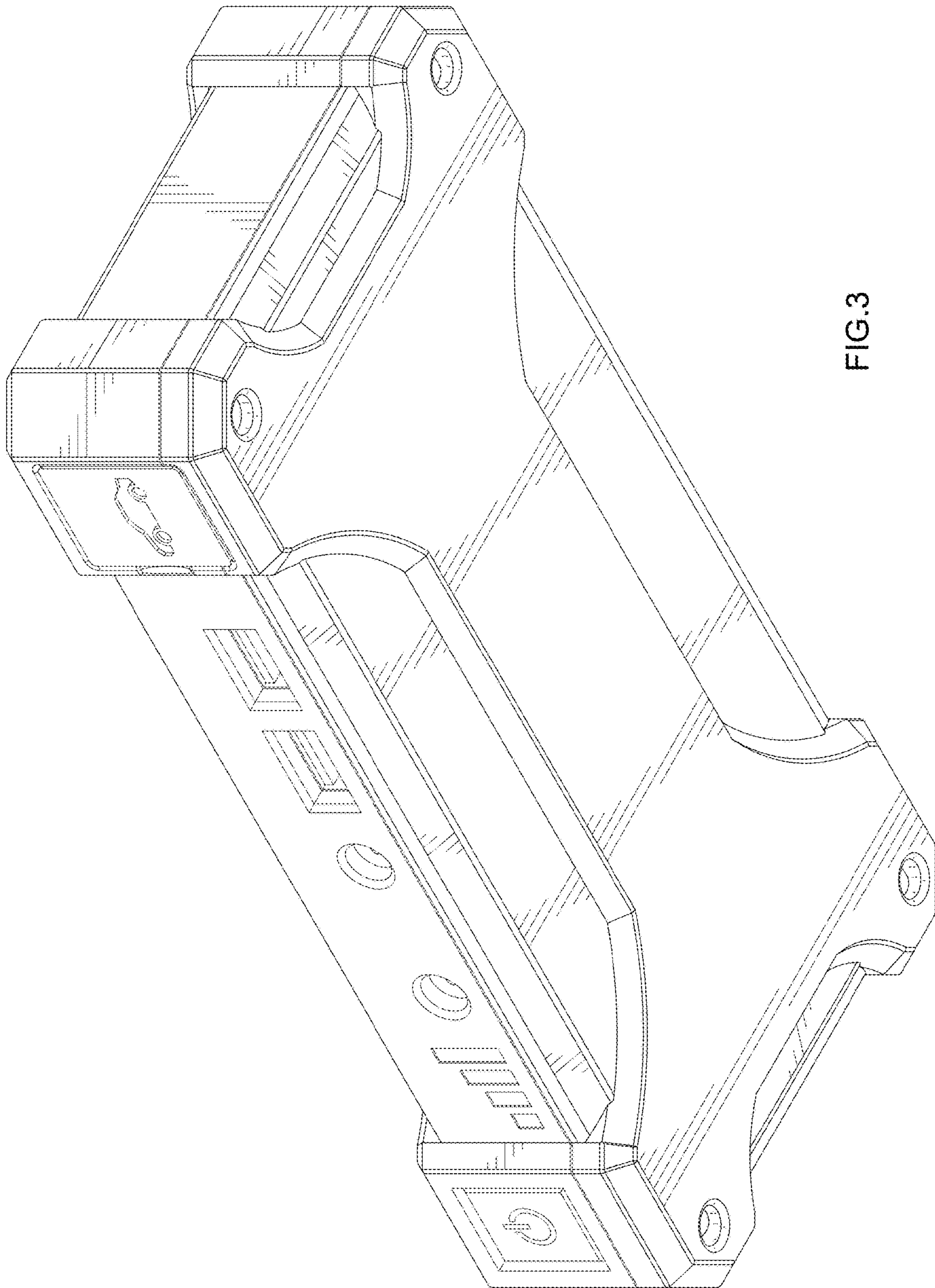


FIG.3

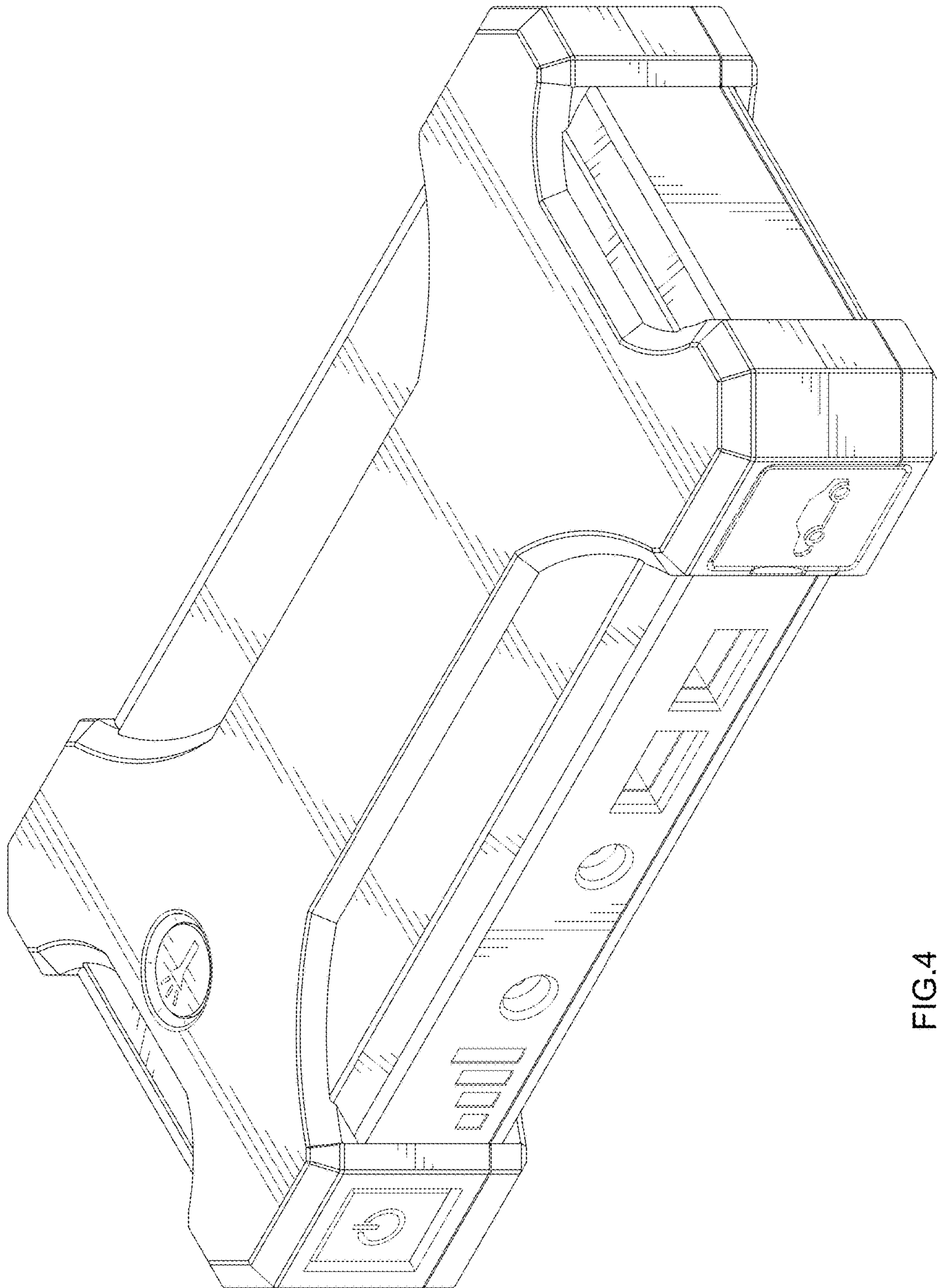


FIG.4

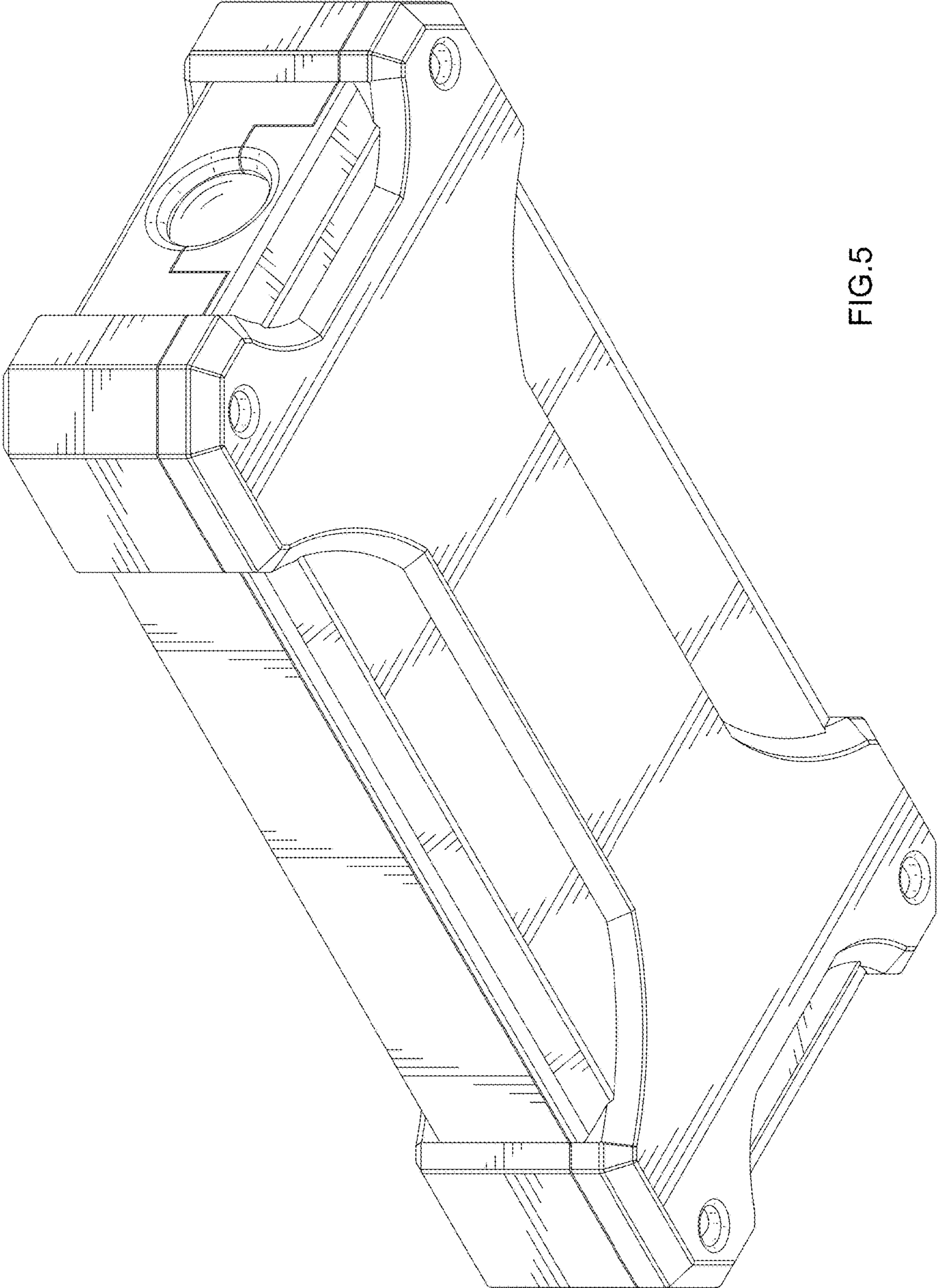


FIG.5

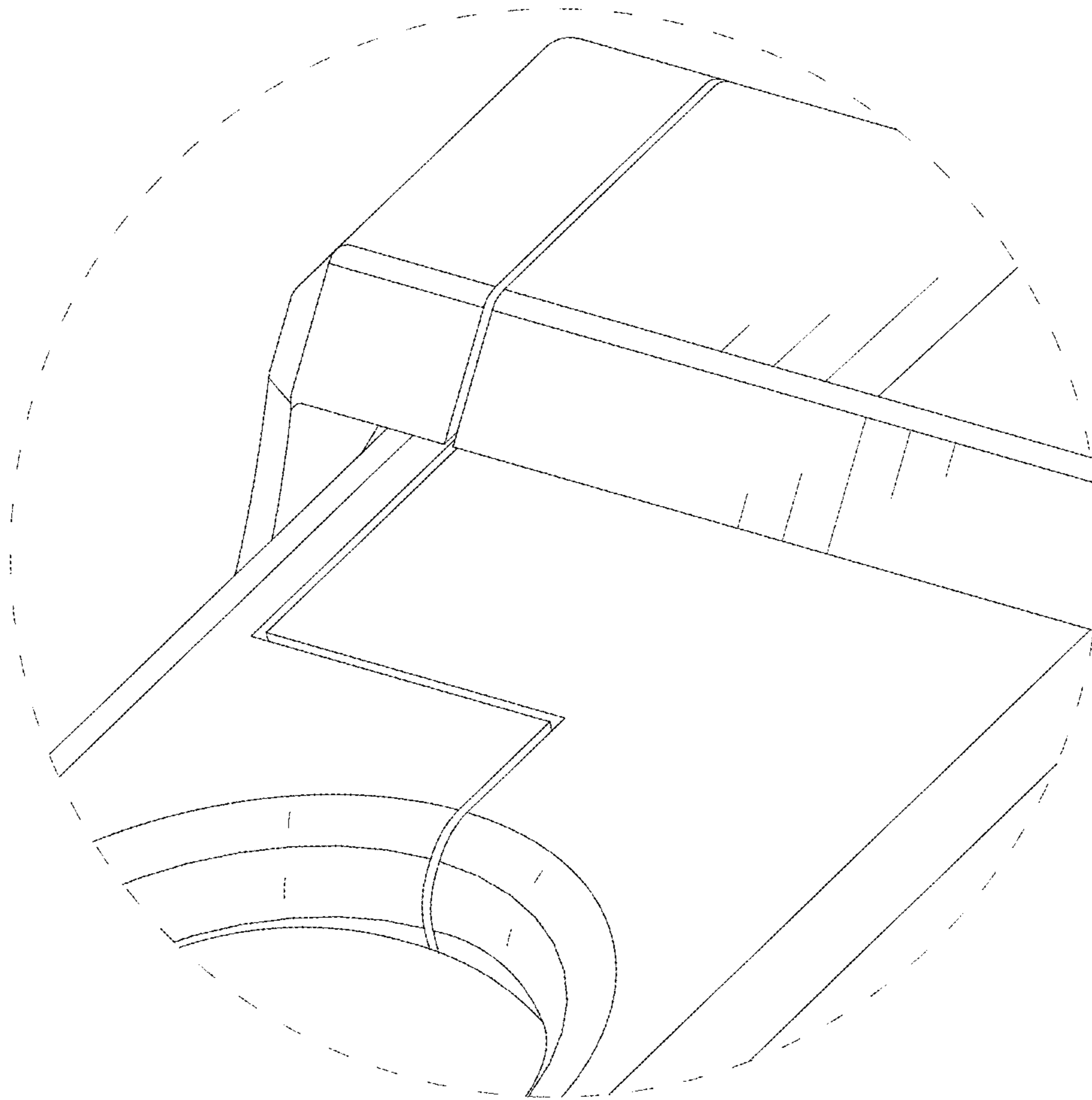


FIG.6

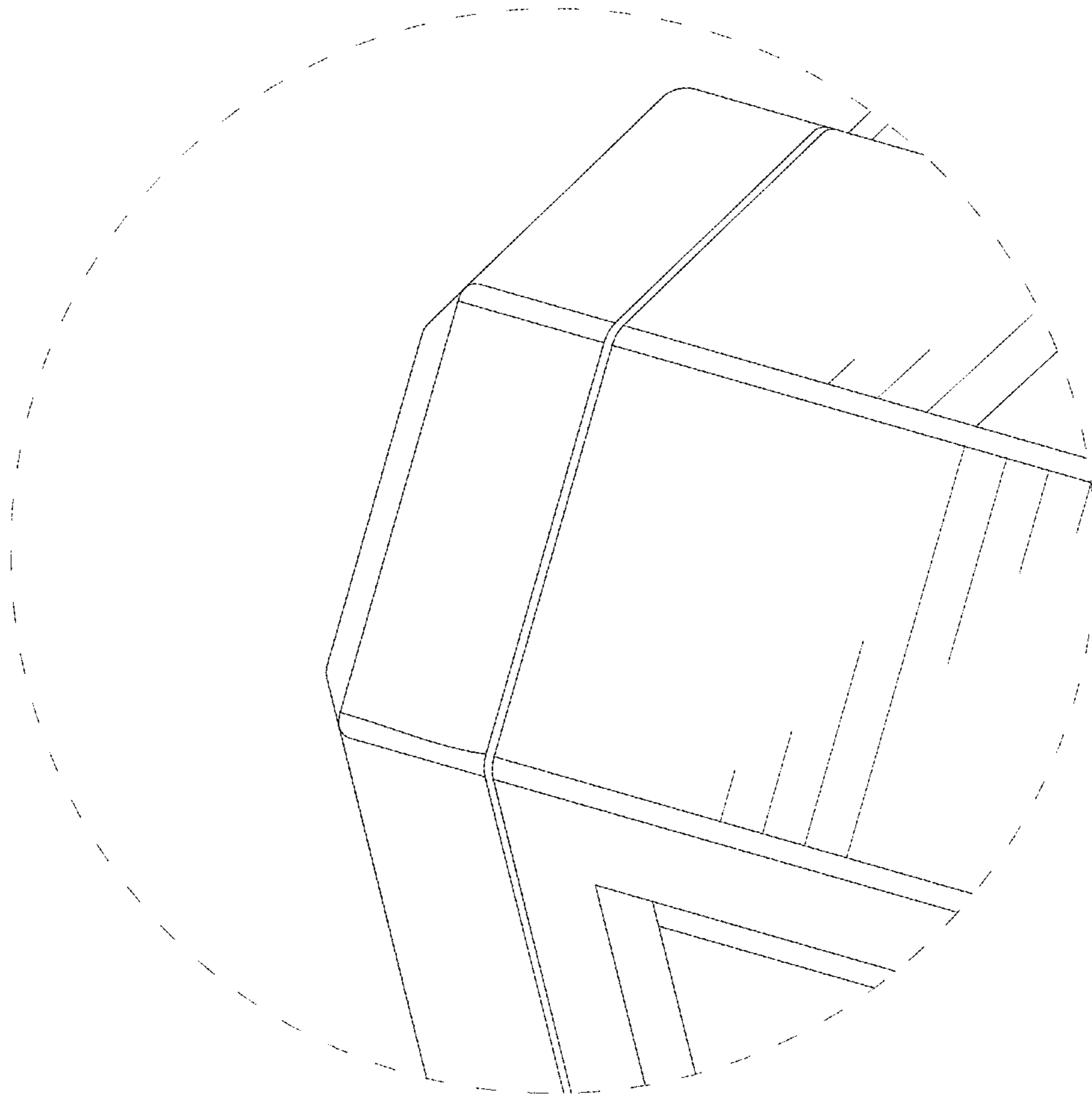


FIG.7

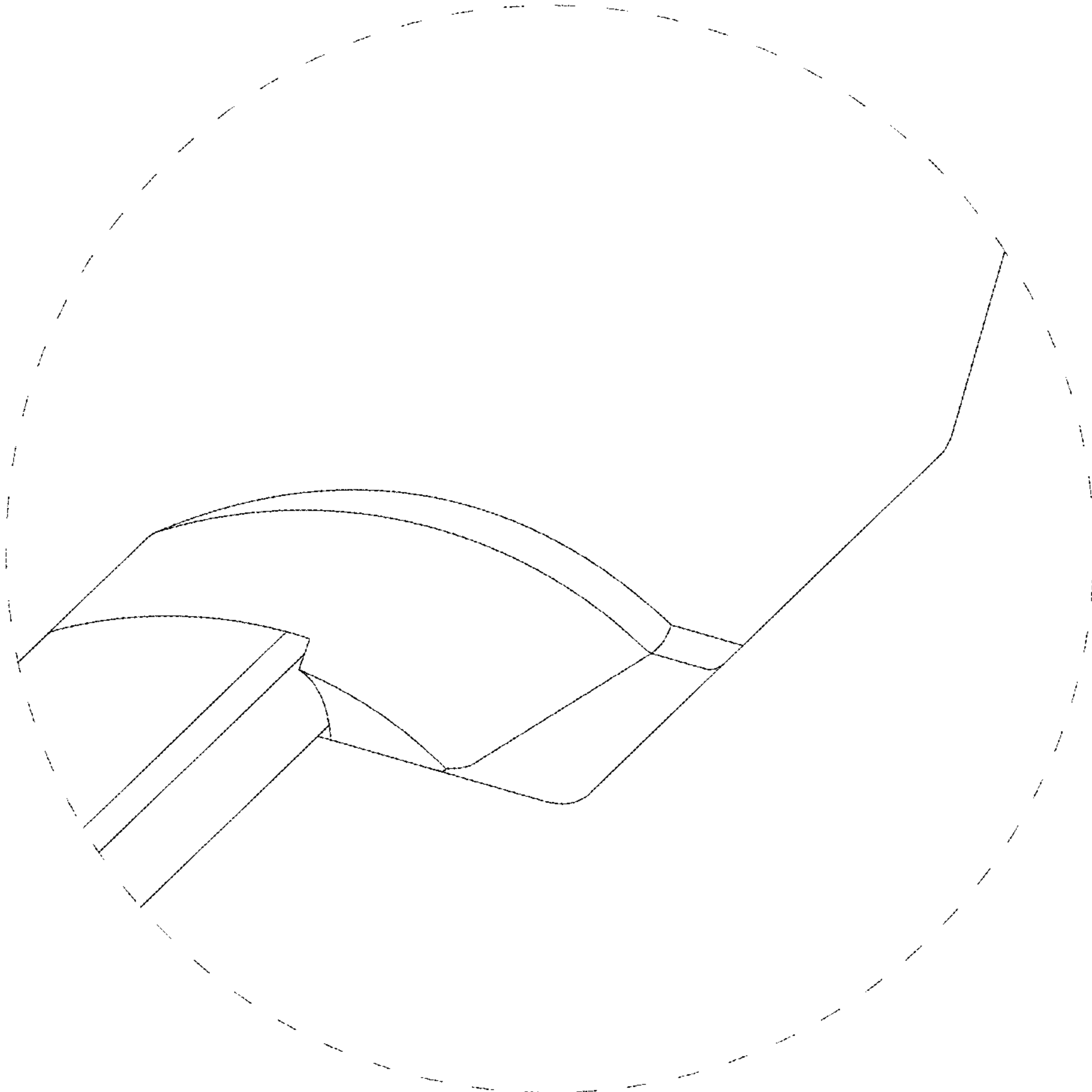


FIG.8

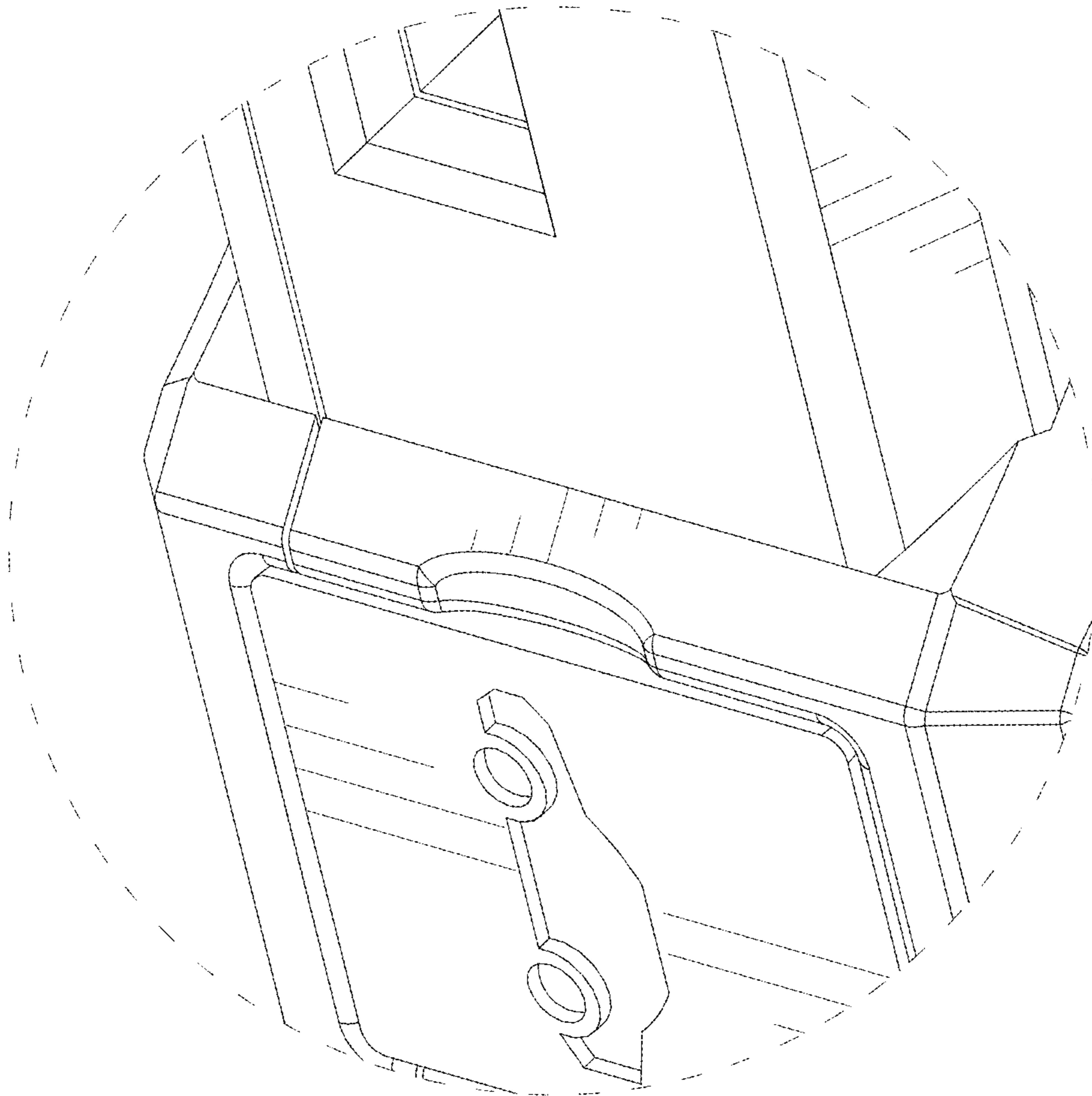


FIG.9