



US00D803145S

(12) **United States Design Patent** (10) **Patent No.:** **US D803,145 S**
Weise (45) **Date of Patent:** **** Nov. 21, 2017**

(54) **SUPPORT LEDGE**

(71) Applicant: **F. BARKOW, INC.**, Milwaukee, WI (US)

(72) Inventor: **John R Weise**, Cedarburg, WI (US)

(73) Assignee: **F. Barkow, Inc.**, Milwaukee, WI (US)

(**) Term: **15 Years**

(21) Appl. No.: **29/579,481**

(22) Filed: **Sep. 30, 2016**

(51) **LOC (10) Cl.** **12-16**

(52) **U.S. Cl.**
USPC **D12/414**

(58) **Field of Classification Search**
USPC D12/414, 406-413, 414.1; D32/35, 58;
D6/317-319, 513-514
CPC B60R 9/00; B60R 2011/0042
See application file for complete search history.

(56) **References Cited**

U.S. PATENT DOCUMENTS

D422,554 S *	4/2000	Stapleton	D12/414
D495,654 S *	9/2004	Elwell	D12/414
D499,372 S *	12/2004	Andersson	D12/414
D537,405 S *	2/2007	Saward	D12/414
D570,765 S *	6/2008	Trusty	D12/414
D694,170 S *	11/2013	Eriksson	D12/414
D717,722 S *	11/2014	Cagampang	D12/414
D727,245 S *	4/2015	Patel	D12/414
9,266,478 B2 *	2/2016	Patel	B60R 9/045
D763,170 S *	8/2016	Marankie	D12/414

* cited by examiner

Primary Examiner — Katrina A Betton

(74) *Attorney, Agent, or Firm* — Ryan Kromholz & Manion S.C.

(57) **CLAIM**

The ornamental design for a support ledge, as shown and described.

DESCRIPTION

FIG. 1 is a perspective view of a first embodiment of the support ledge;

FIG. 2 is a front elevation view thereof;

FIG. 3 is a rear elevation view thereof;

FIG. 4 is a left side elevation view thereof;

FIG. 5 is a right side elevation view thereof;

FIG. 6 is a top plan view thereof;

FIG. 7 is a bottom plan view thereof;

FIG. 8 is a perspective view of a second embodiment of the support ledge;

FIG. 9 is a front elevation view thereof;

FIG. 10 is a rear elevation view thereof;

FIG. 11 is a left side elevation view thereof;

FIG. 12 is a right side elevation view thereof;

FIG. 13 is a top plan view thereof;

FIG. 14 is a bottom plan view thereof;

FIG. 15 is a perspective view of a third embodiment of the support ledge;

FIG. 16 is a front elevation view thereof;

FIG. 17 is a rear elevation view thereof;

FIG. 18 is a left side elevation view thereof;

FIG. 19 is a right side elevation view thereof;

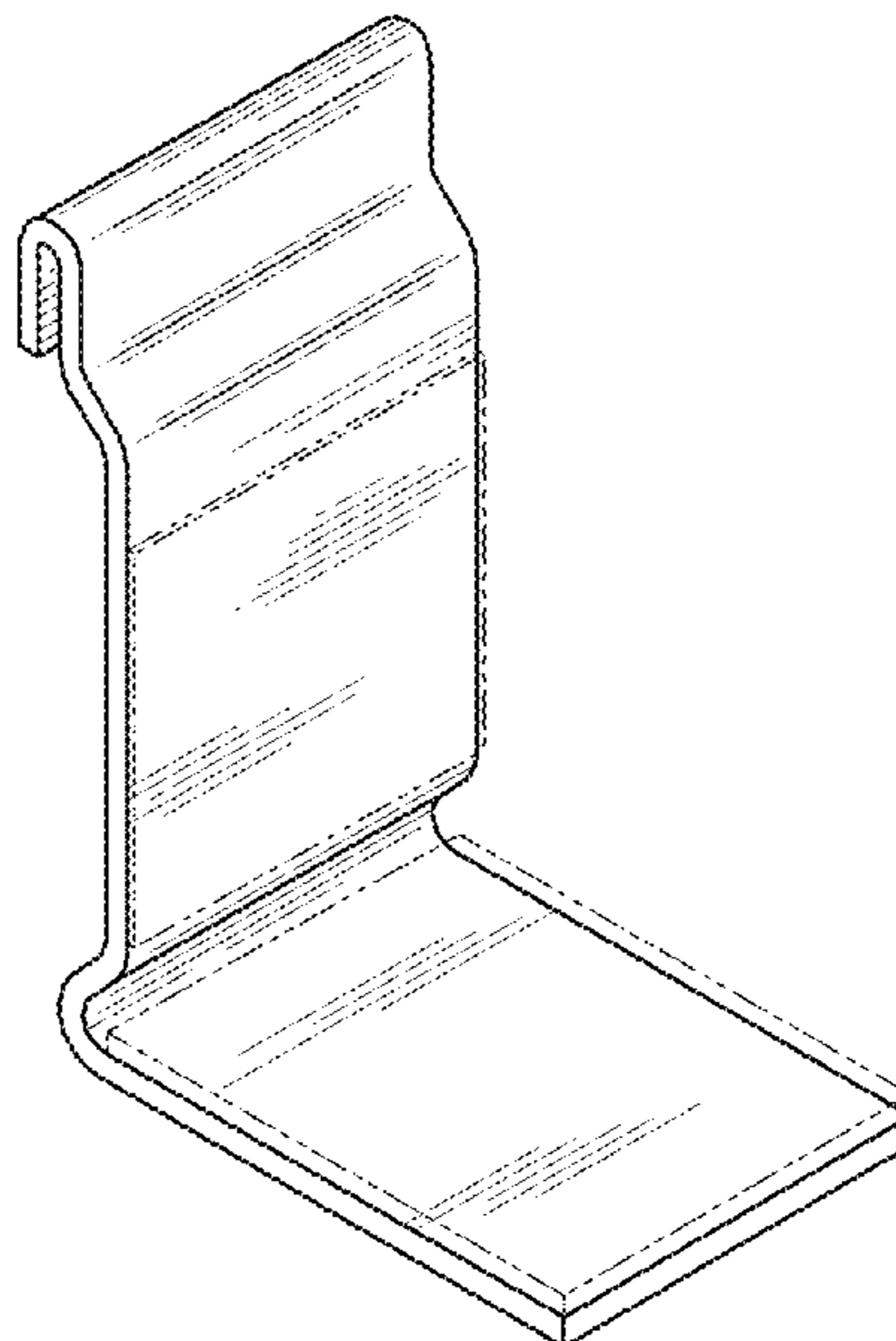
FIG. 20 is a top plan view thereof; and,

FIG. 21 is a bottom plan view thereof.

The support ledge is shown with a symbolic break in FIGS. 8-17 and 20, 21. Any portion between the break lines forms no part of the claimed design.

The broken lines in the drawings represent unclaimed subject matter and form no part of the claim.

1 Claim, 6 Drawing Sheets



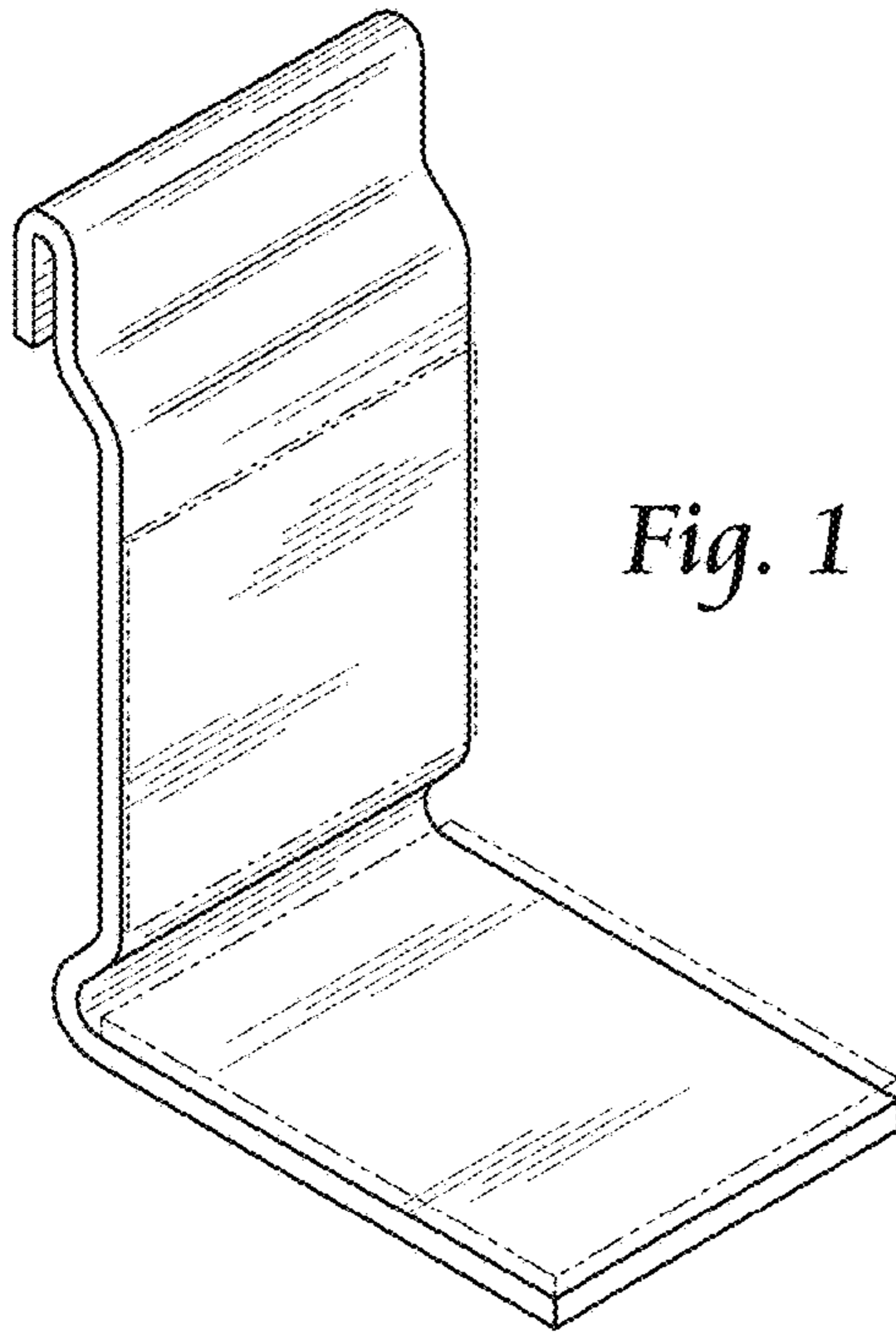


Fig. 1

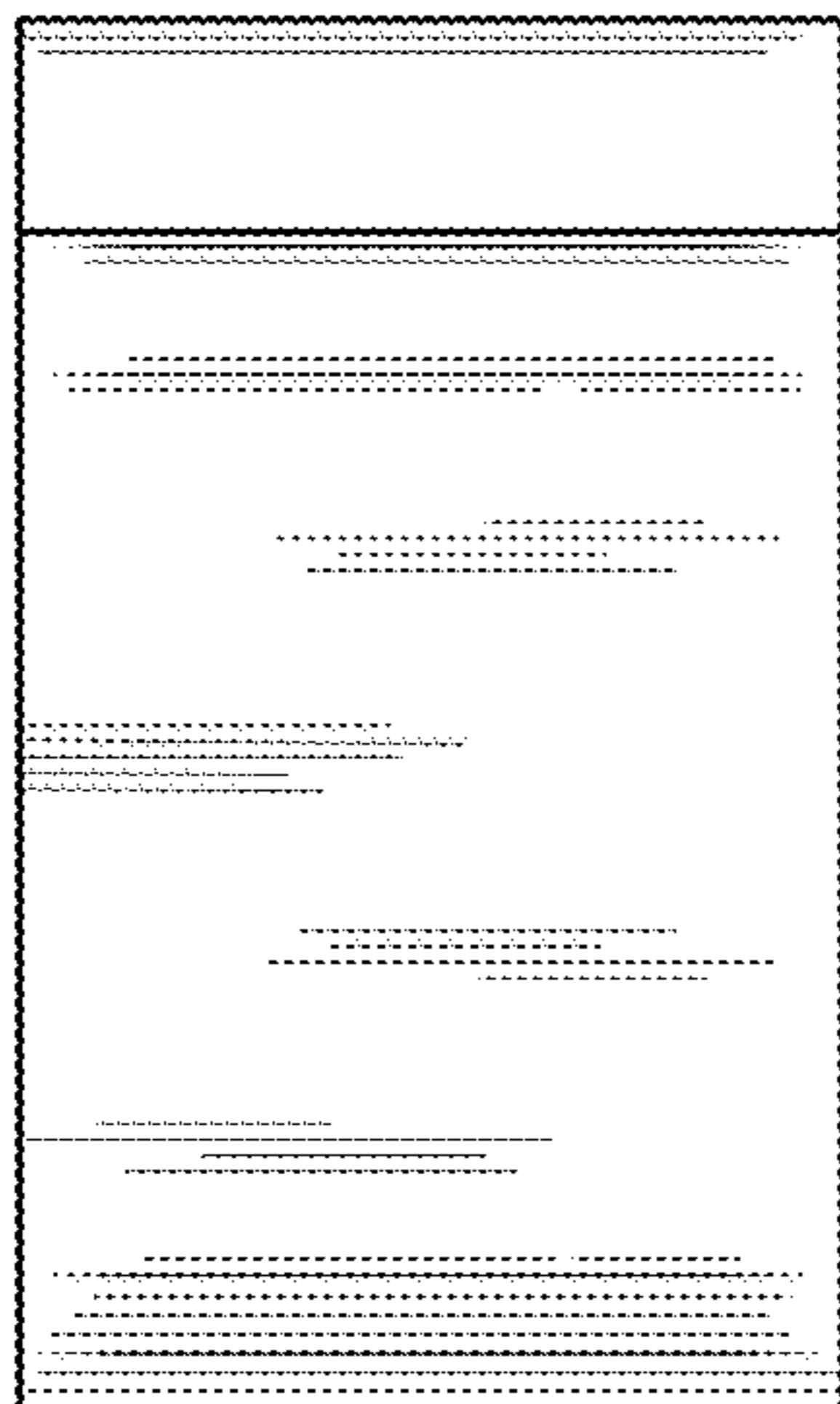


Fig. 3

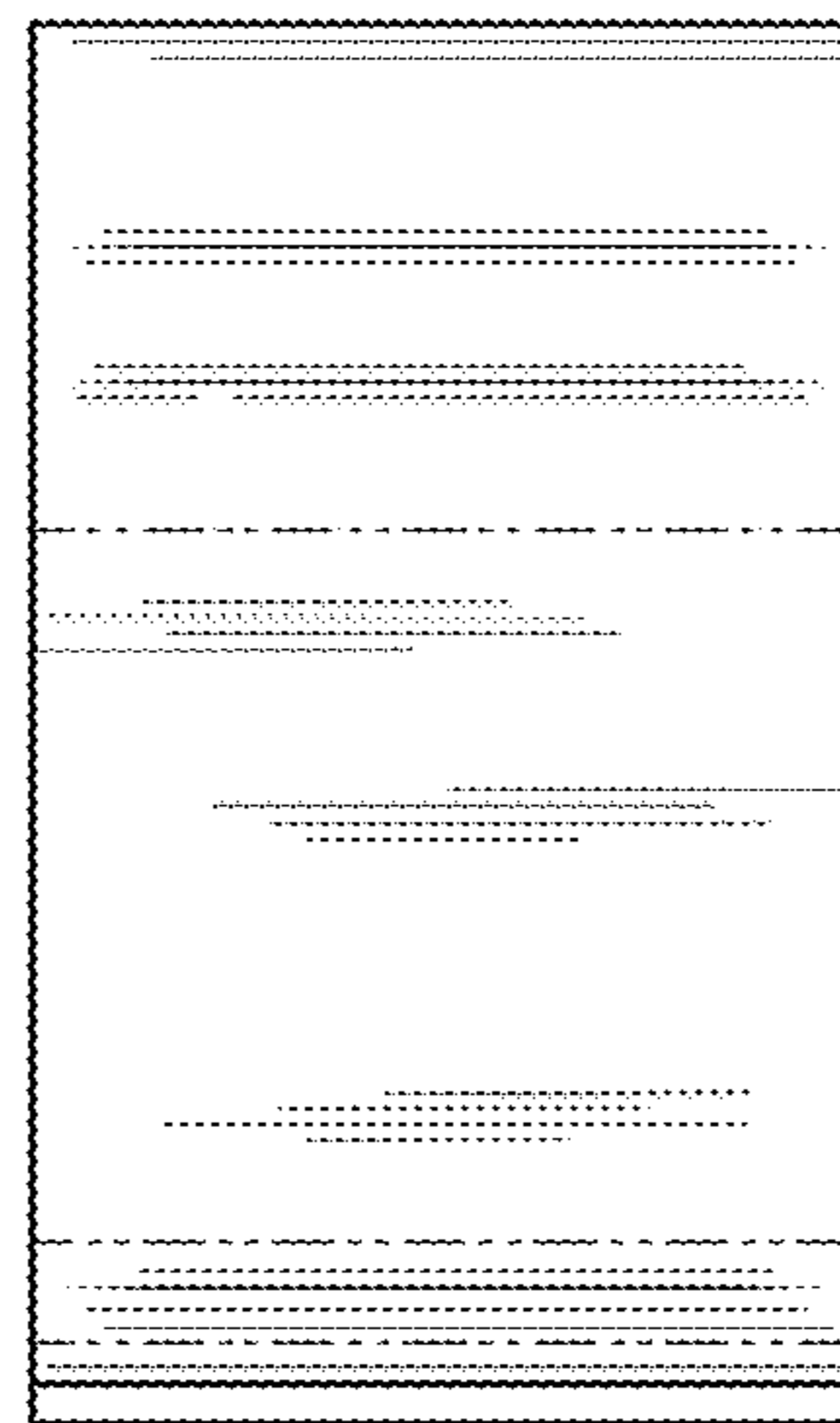


Fig. 2

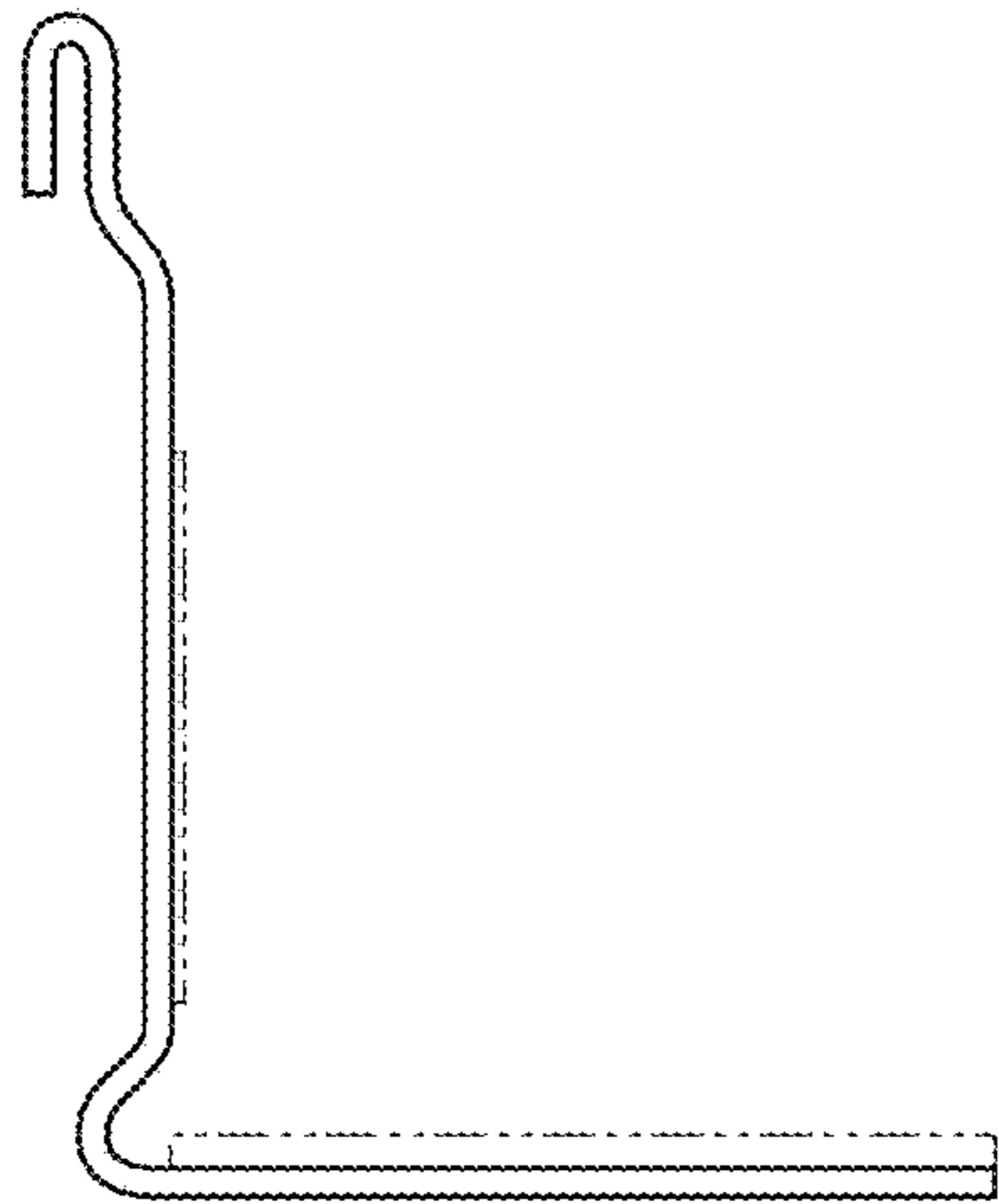


Fig. 4

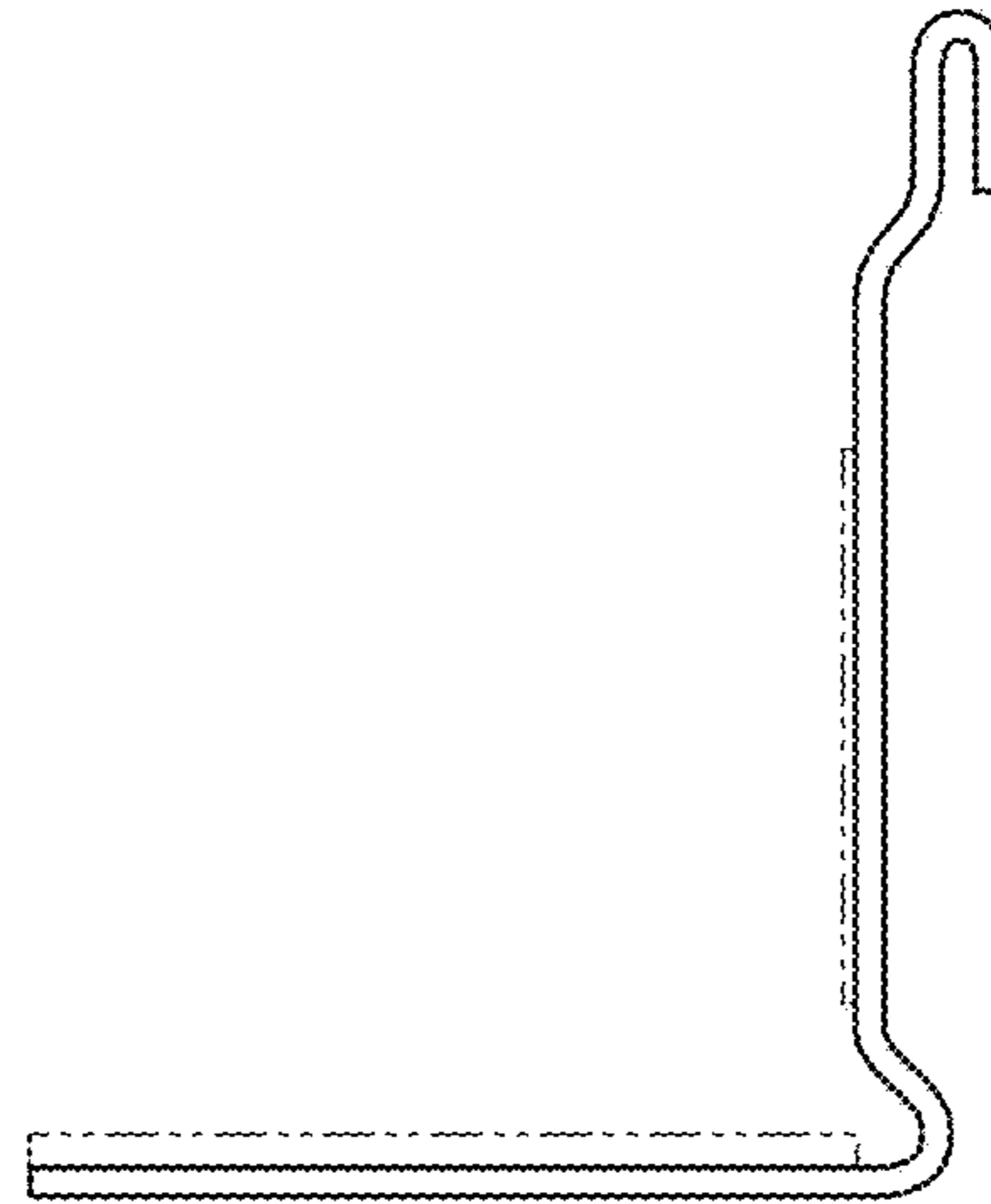


Fig. 5

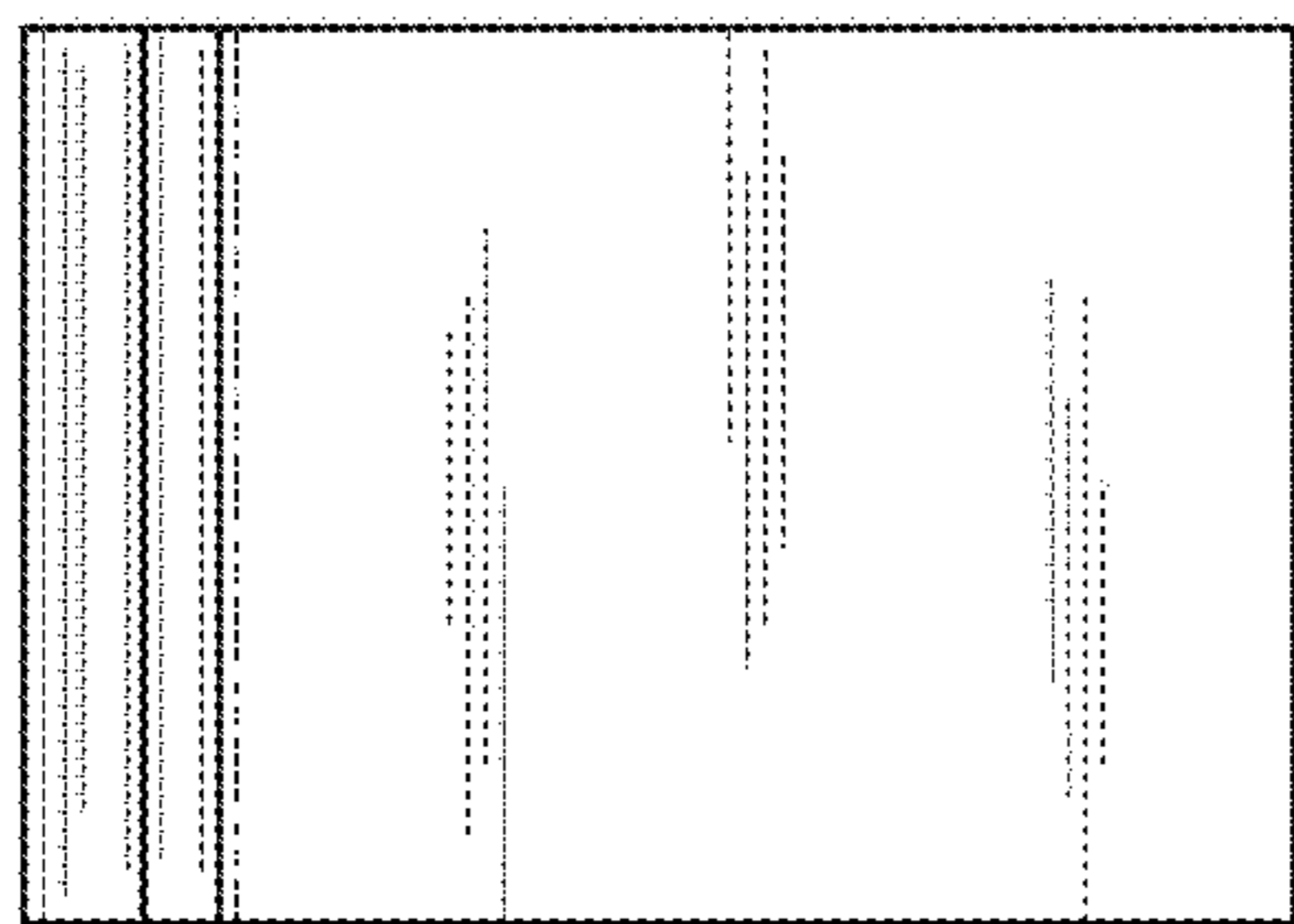


Fig. 6

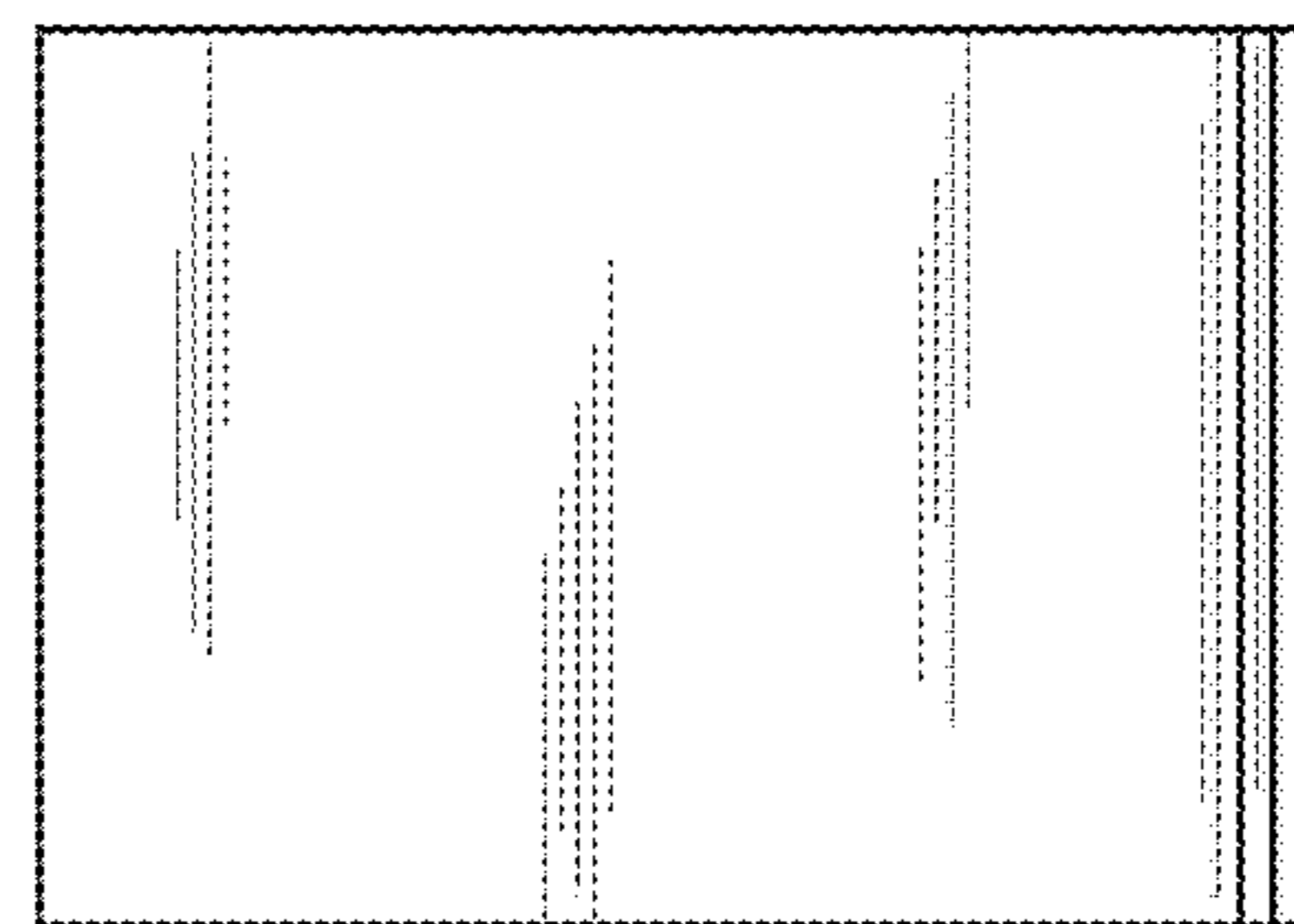


Fig. 7

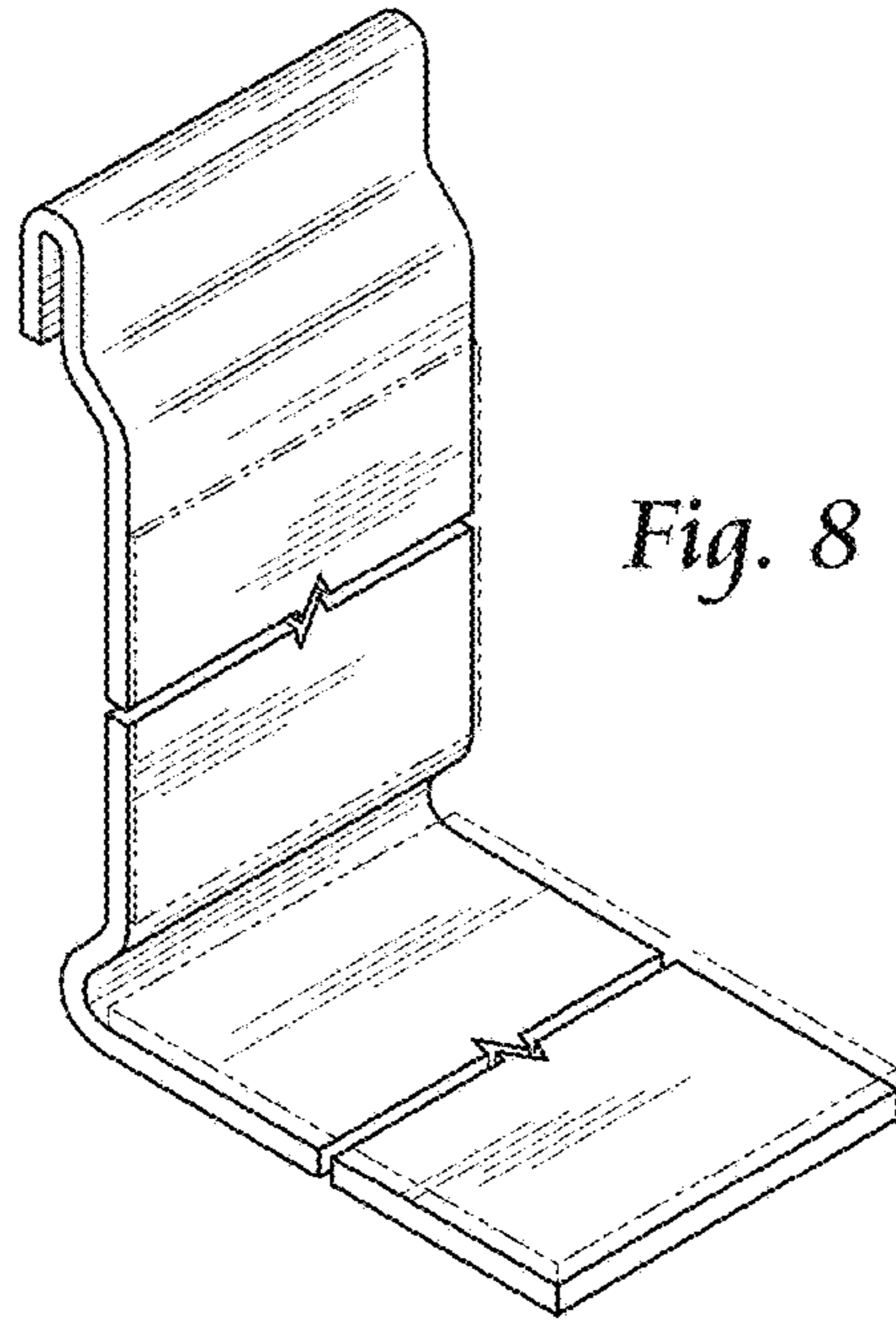


Fig. 8

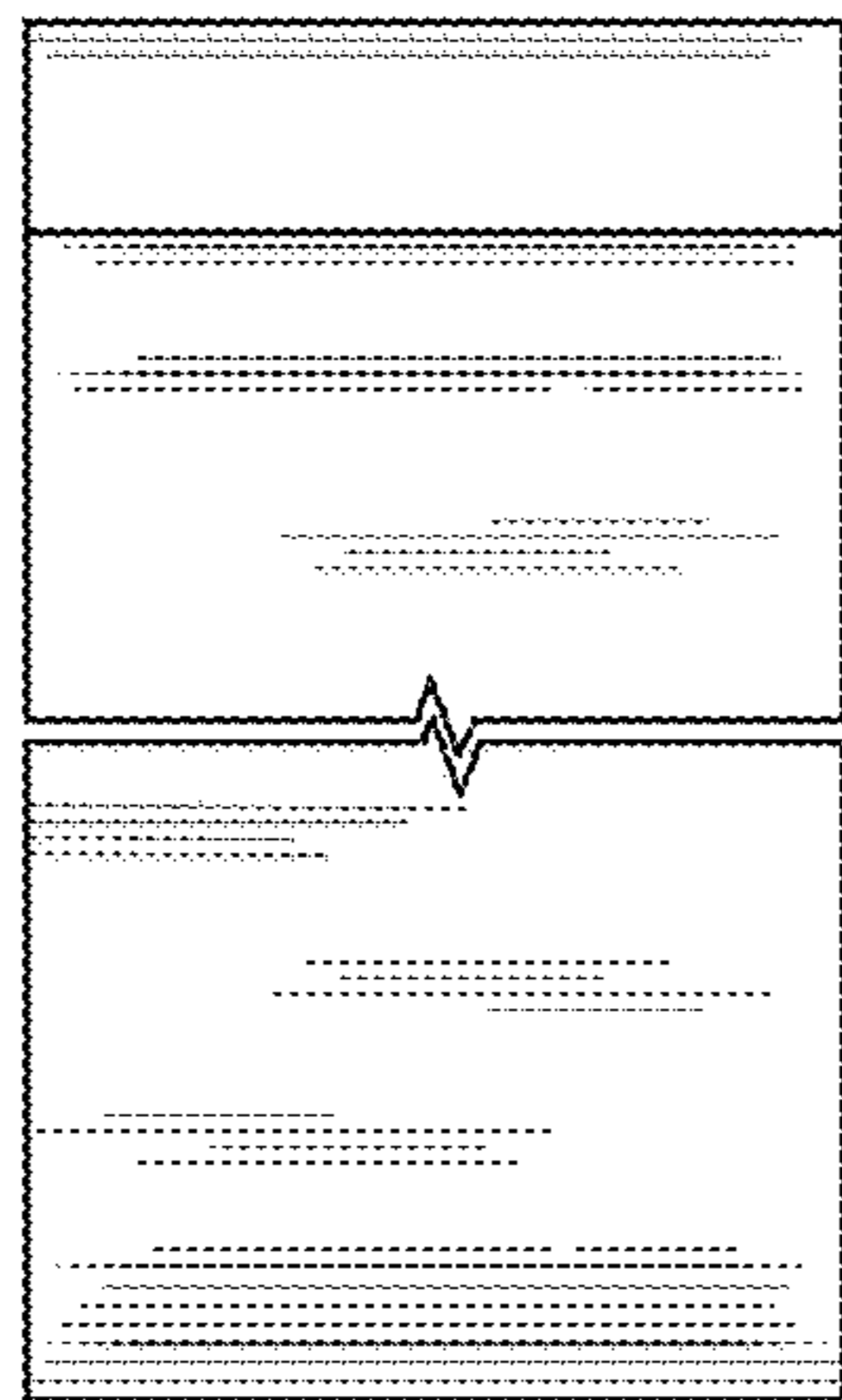


Fig. 10

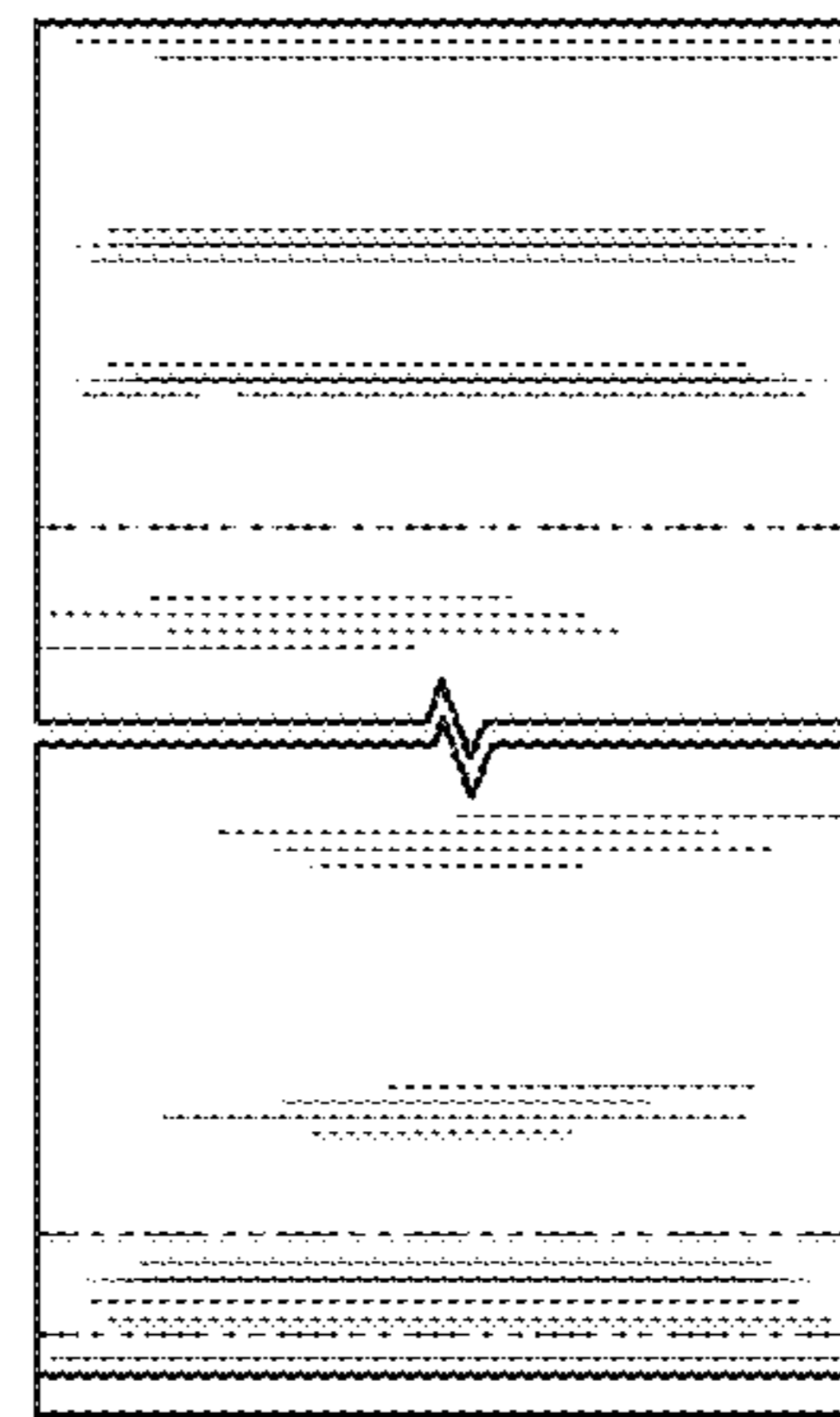


Fig. 9

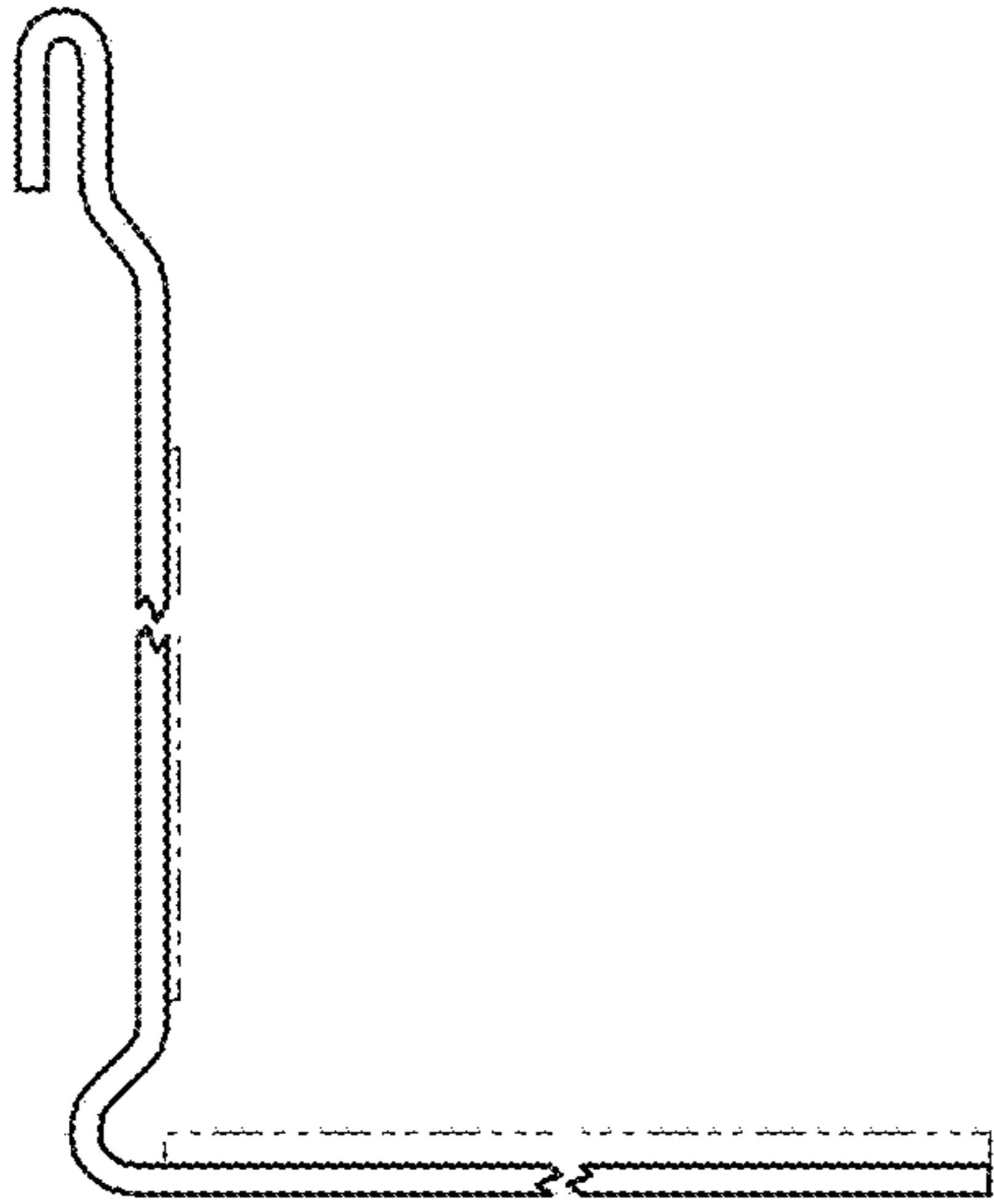


Fig. 11

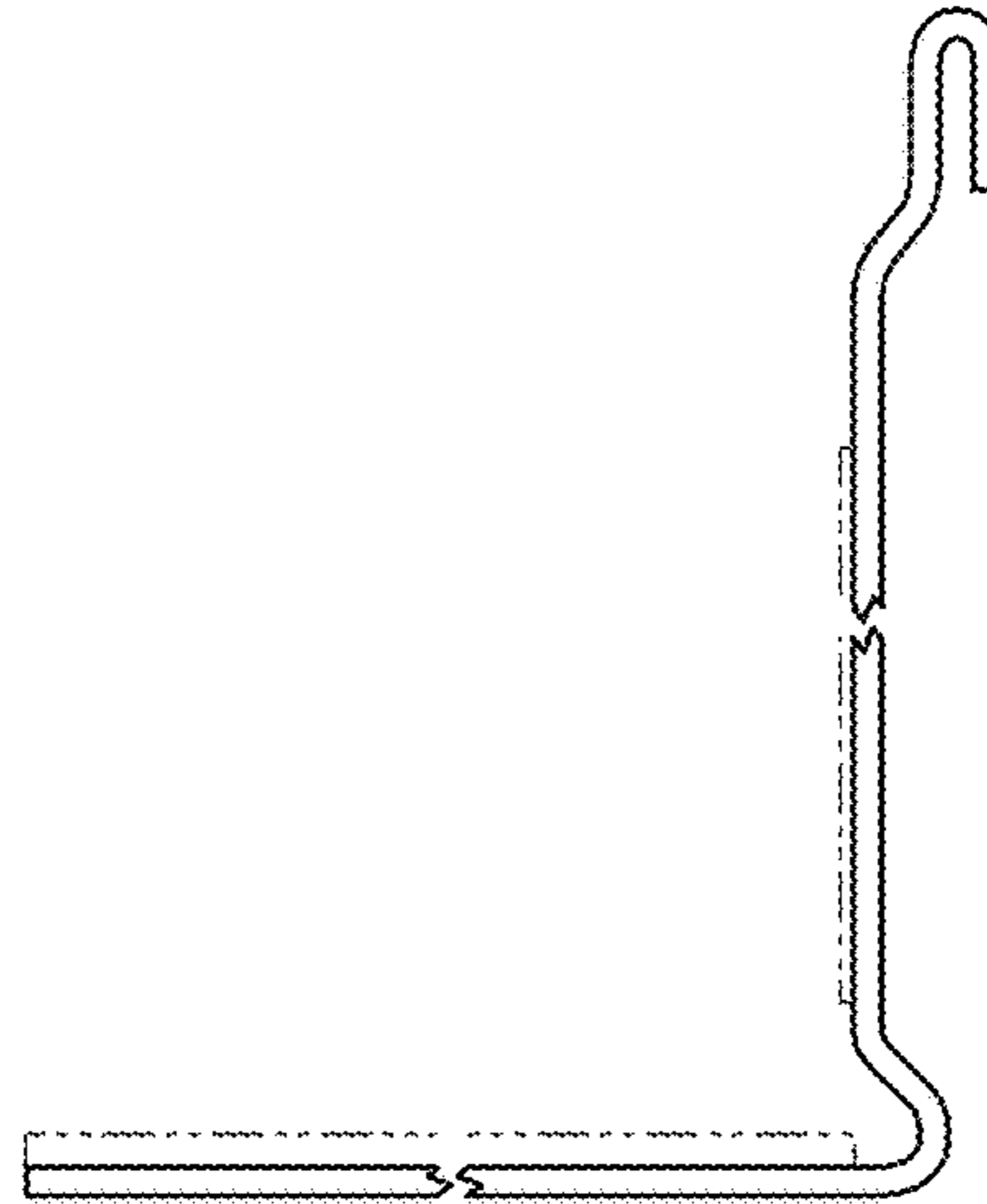


Fig. 12

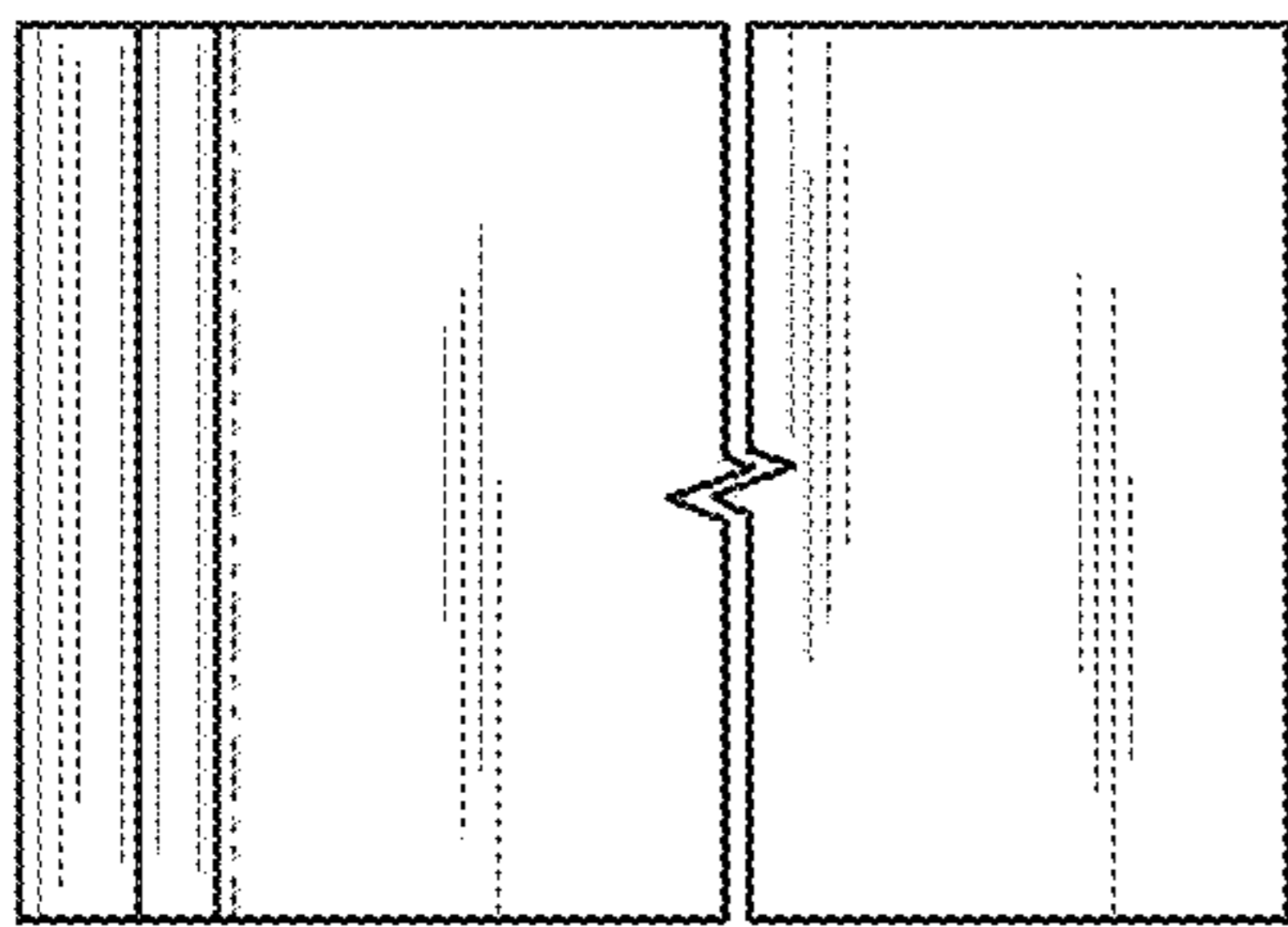


Fig. 13

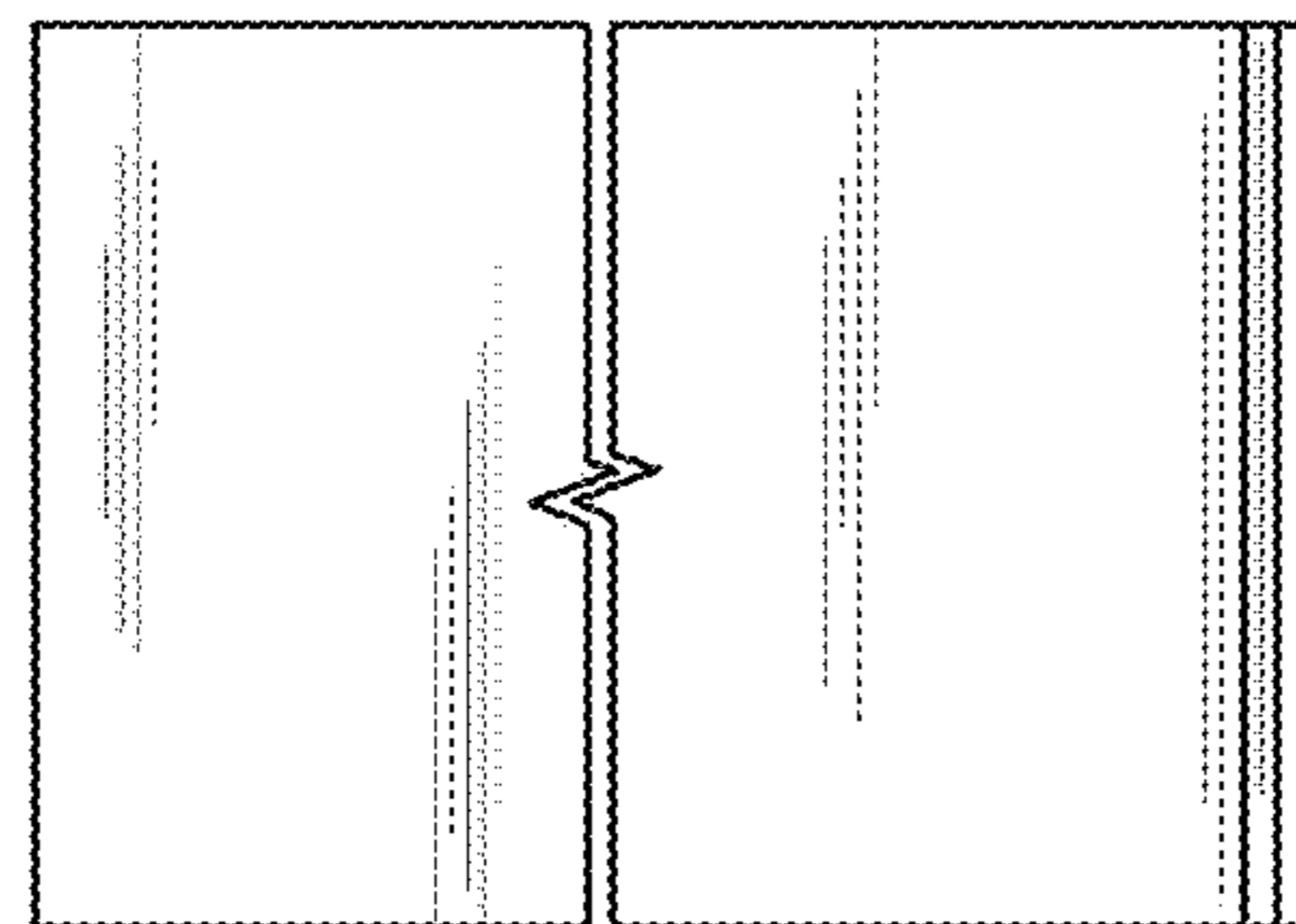


Fig. 14

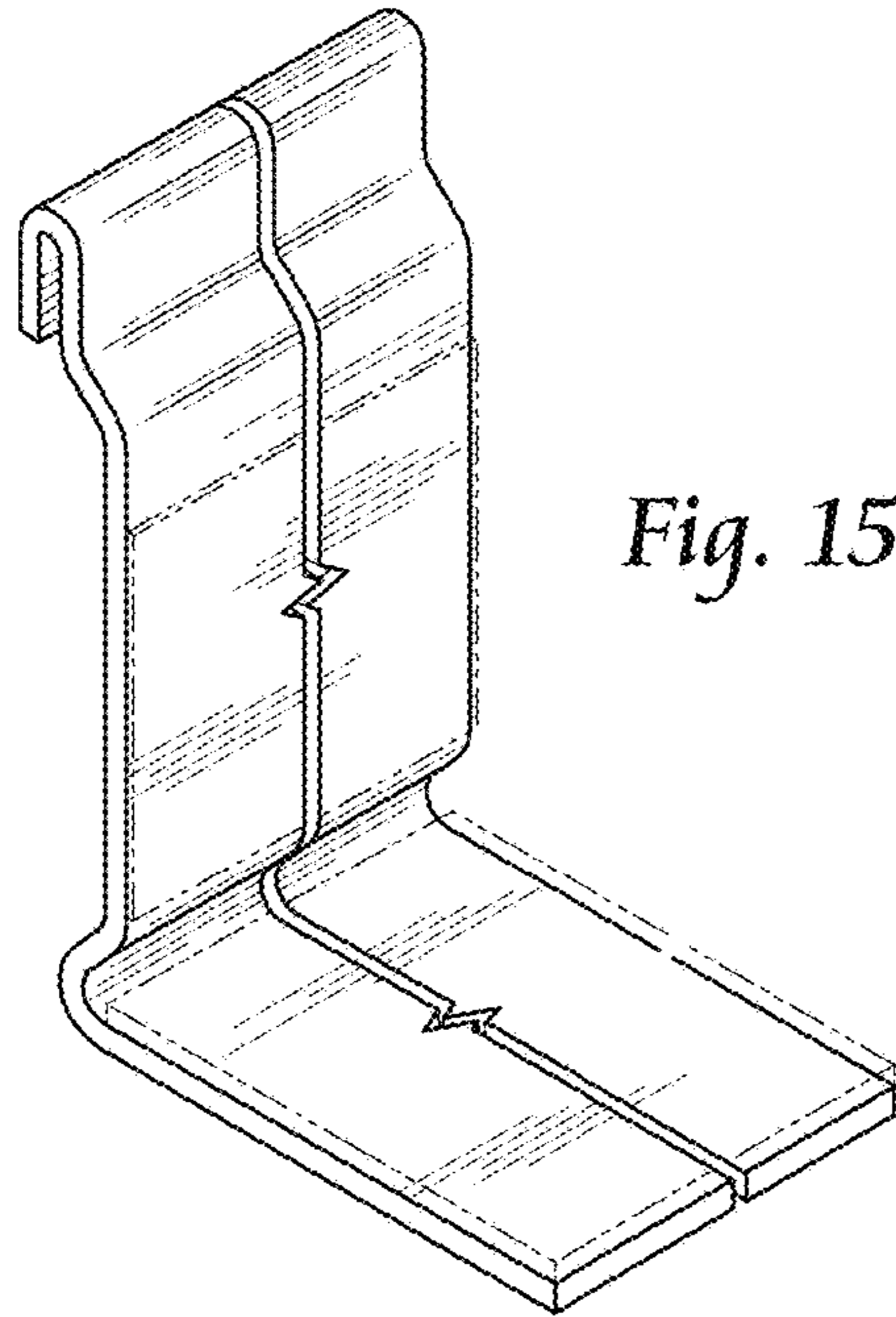


Fig. 15

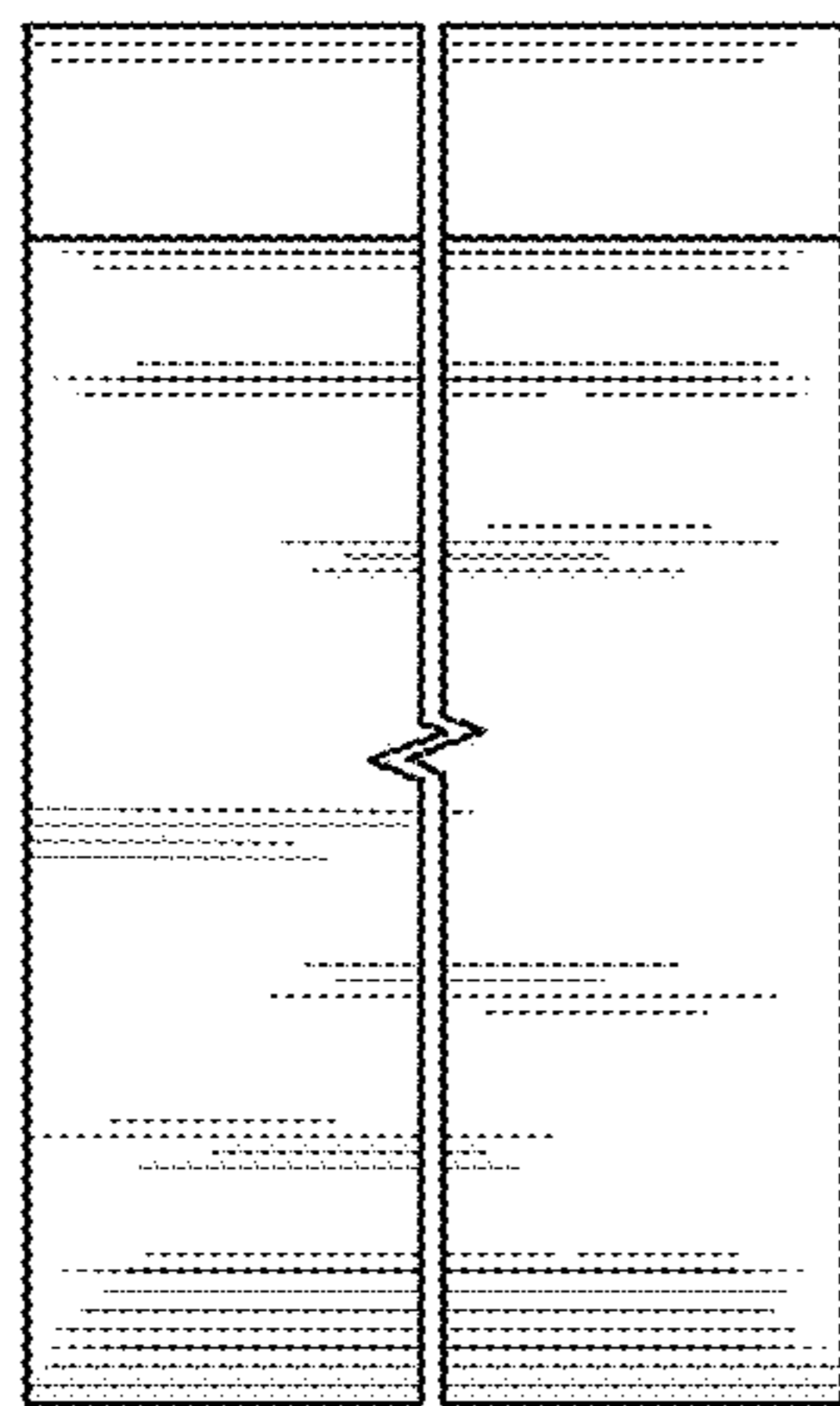


Fig. 17

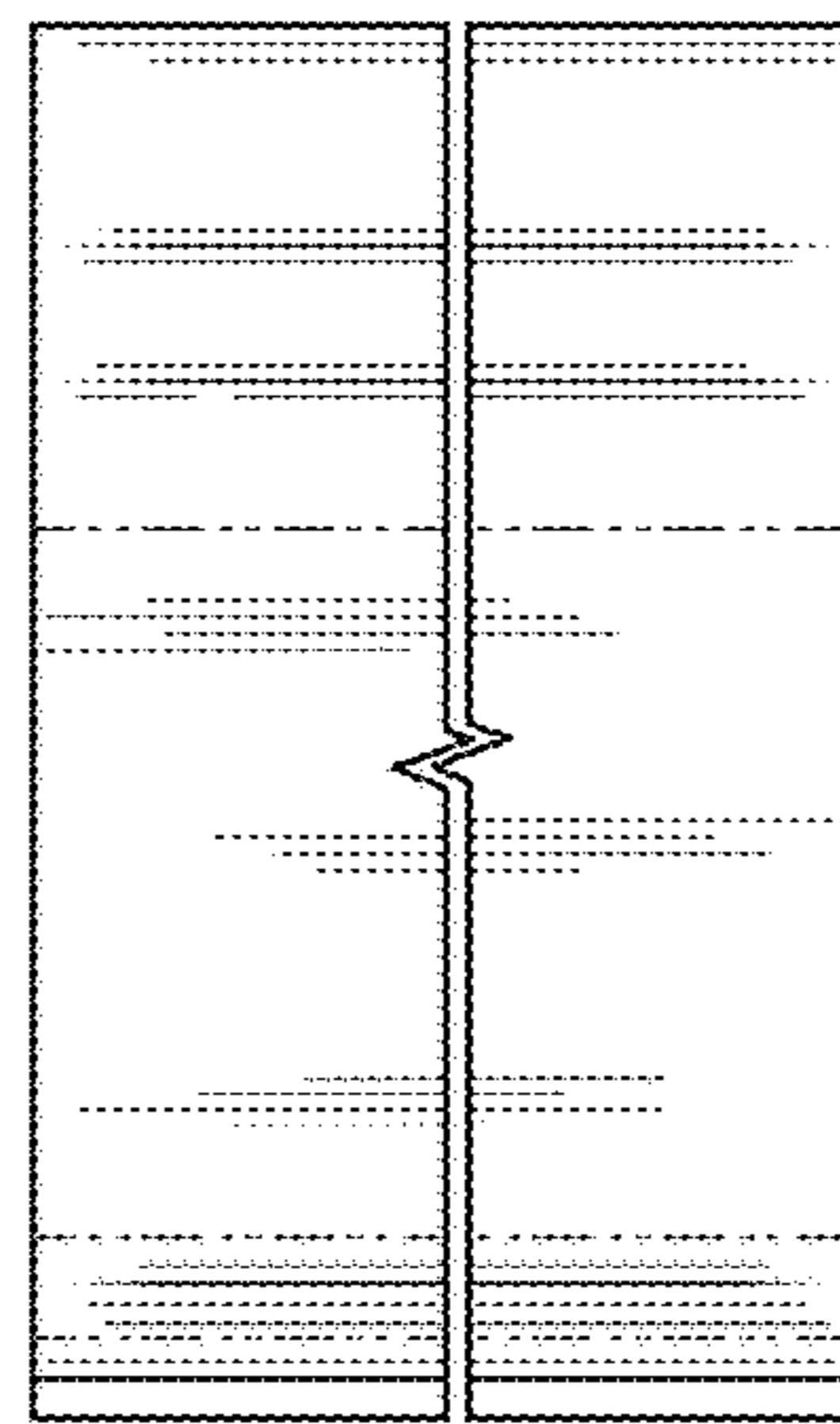


Fig. 16

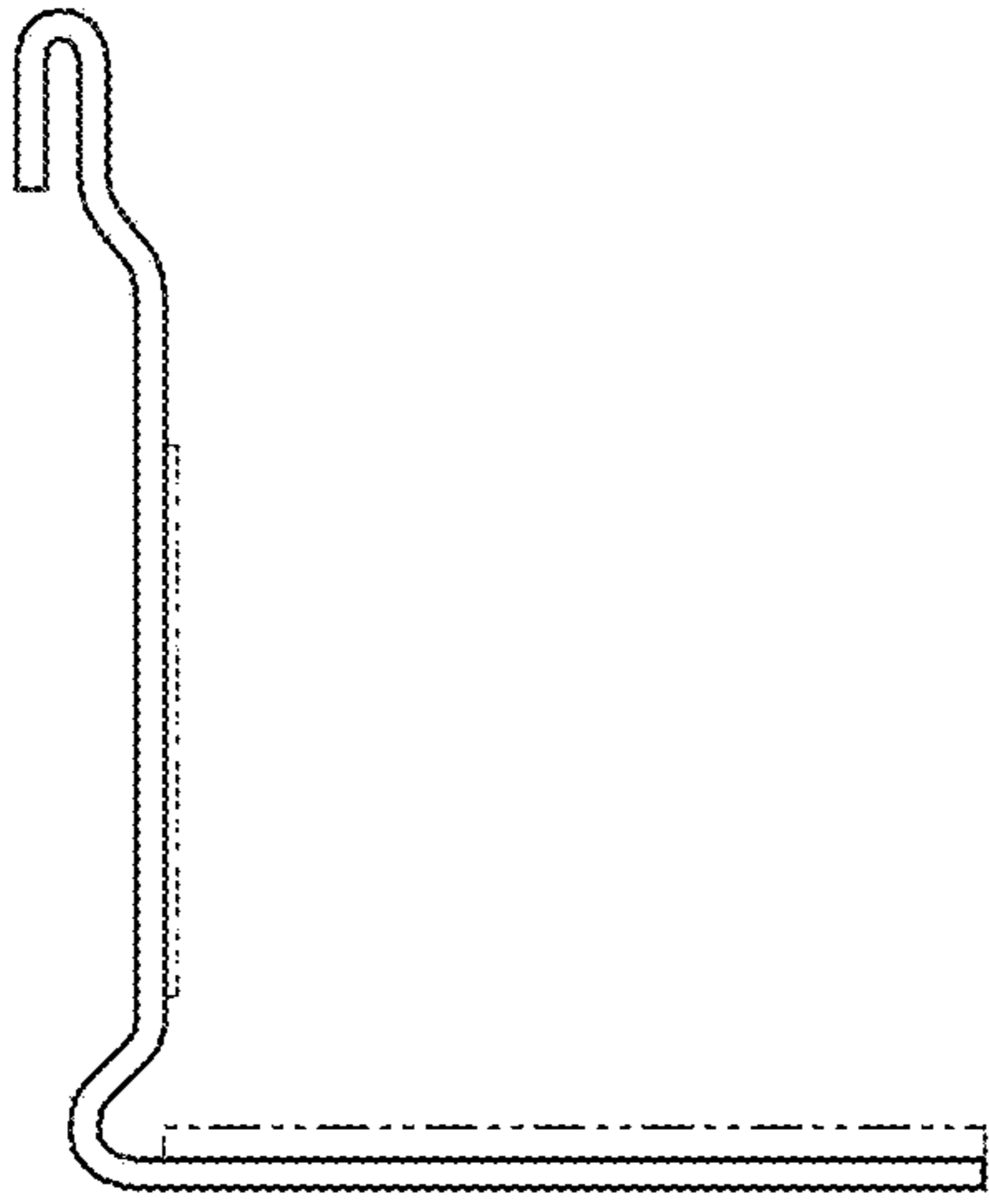


Fig. 18

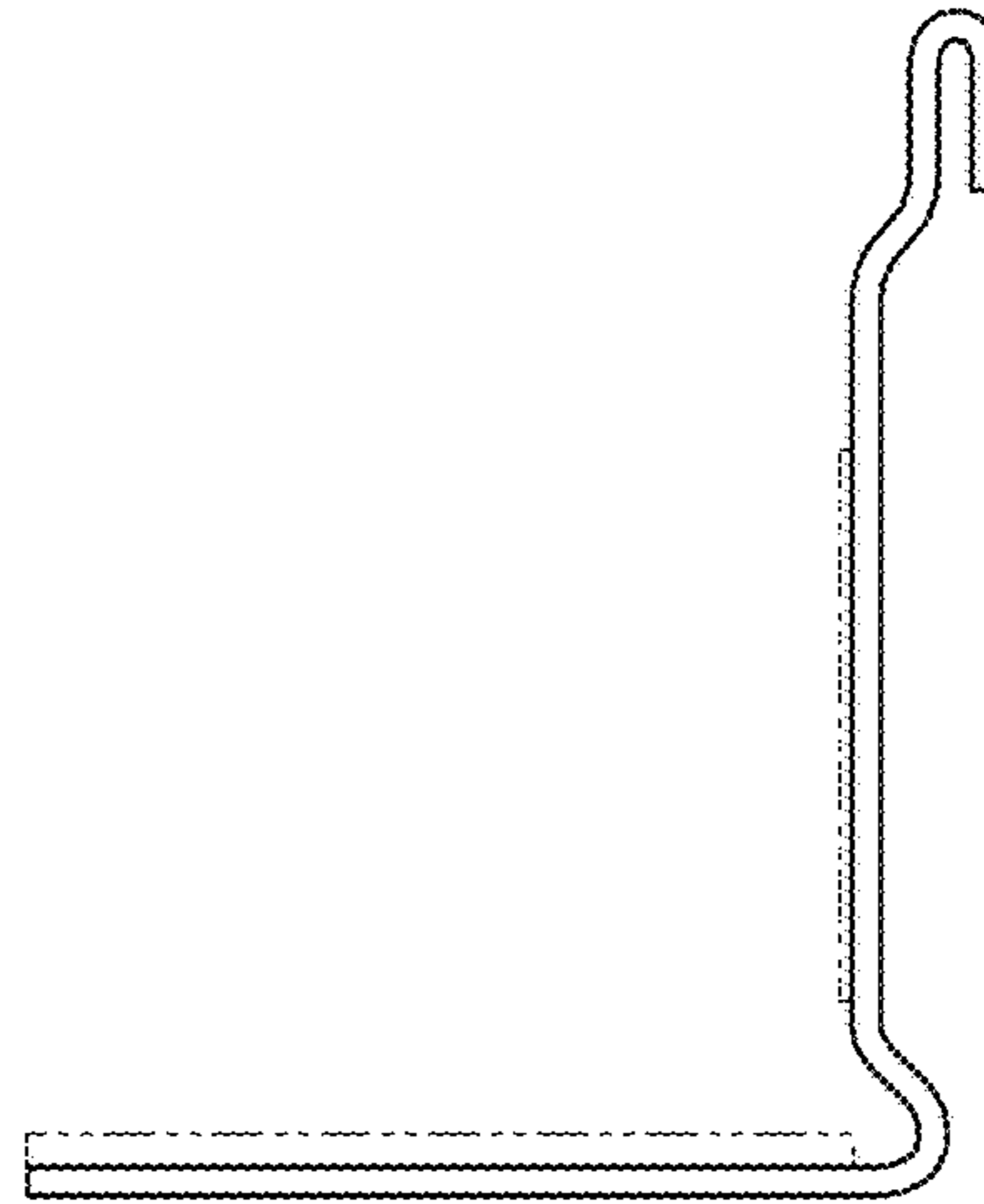


Fig. 19

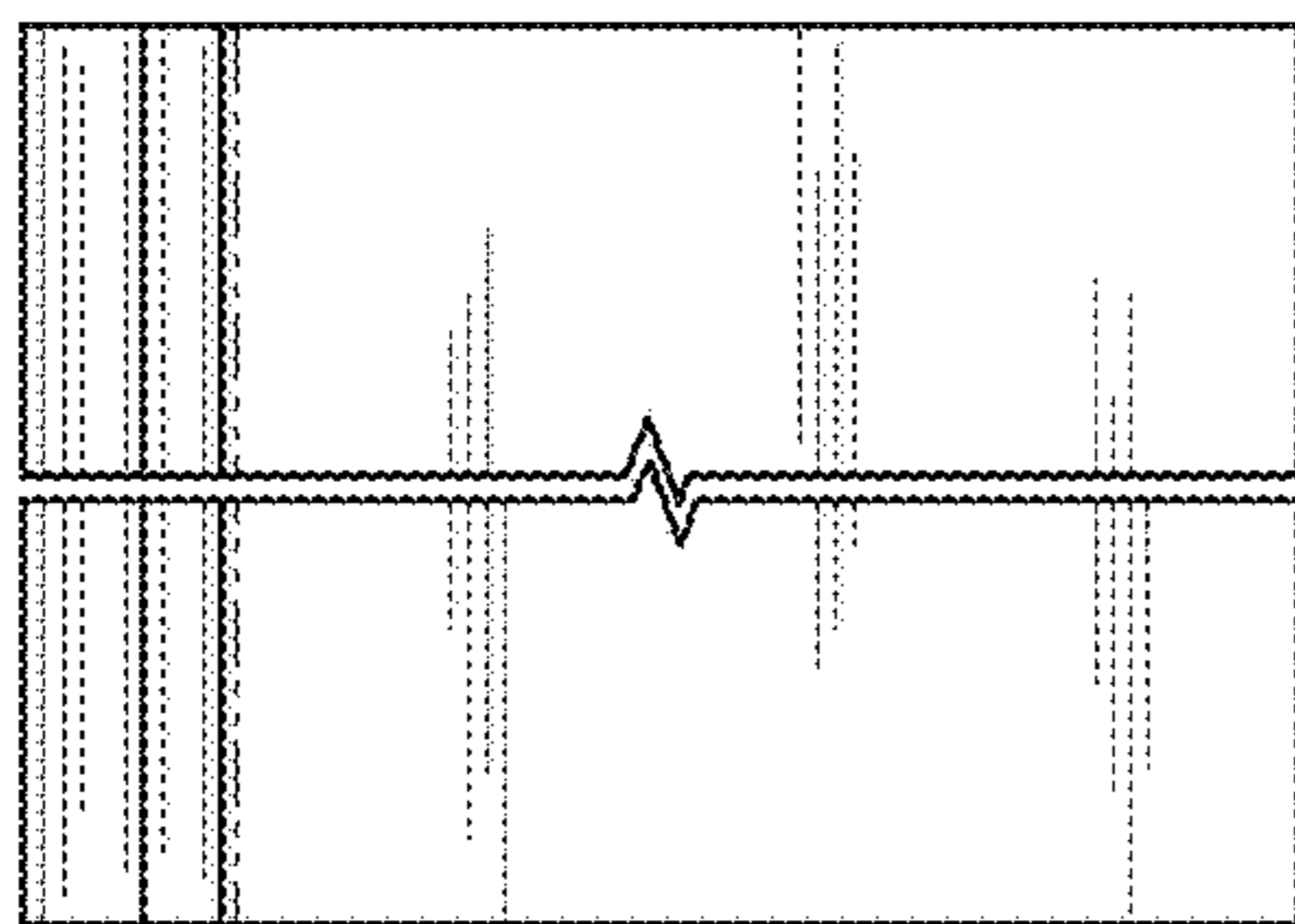


Fig. 20

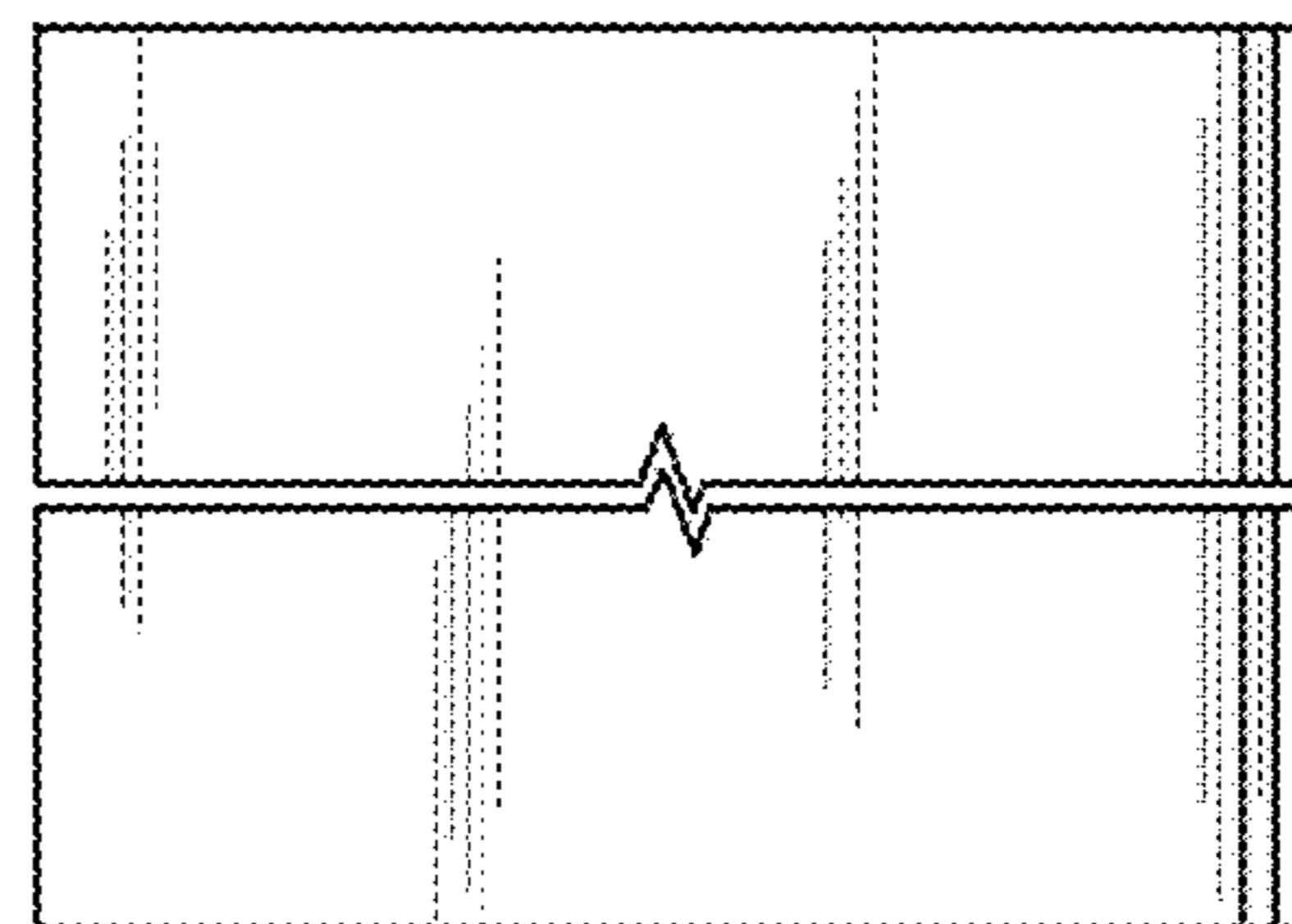


Fig. 21