

US00D803143S

(12) **United States Design Patent** (10) **Patent No.:** **US D803,143 S**
Silver et al. (45) **Date of Patent:** **** Nov. 21, 2017**

(54) **BICYCLE BASKET**
(71) Applicant: **KIDS BIKE BUCKETS PTY LTD,**
Fairlight (AU)
(72) Inventors: **Robert Silver,** Fairlight (AU); **Michael**
John Hort, Chatswood (AU)
(73) Assignee: **KIDS BIKE BUCKETS PTY LTD,**
Fairlight, NSW (AU)
(**) Term: **15 Years**
(21) Appl. No.: **29/542,893**
(22) Filed: **Oct. 19, 2015**

D607,624 S * 1/2010 Bergman D32/54
D620,427 S * 7/2010 Madsen D12/407
D626,909 S * 11/2010 Chen D12/407
D648,535 S * 11/2011 Reinhart D3/302
D666,829 S * 9/2012 Liao D3/304
D702,125 S * 4/2014 Marchetti D9/456
D720,931 S * 1/2015 Levie D3/307
D722,946 S * 2/2015 Armstrong D12/407
D728,884 S * 5/2015 Waffensmith D32/54
D737,054 S * 8/2015 Winston D3/304
D742,457 S * 11/2015 Meckler D21/407
D746,760 S * 1/2016 Arbour D12/407
D762,550 S * 8/2016 Meckler D12/407
D762,551 S * 8/2016 Meckler D12/407
D767,469 S * 9/2016 Liu D12/407
D775,057 S * 12/2016 Meckler D12/407

* cited by examiner

(30) **Foreign Application Priority Data**
Apr. 29, 2015 (AU) 201512207
(51) **LOC (10) Cl.** **12-11**
(52) **U.S. Cl.**
USPC **D12/407**
(58) **Field of Classification Search**
USPC D12/407, 114, 115, 406, 408, 117;
D15/25, 10, 11, 32; D3/304-315;
D21/432; D32/37, 54; D19/75, 92;
D9/424-425
CPC B62J 9/003; B62J 9/00; B62J 7/06; B62J
7/04; B62J 7/00
See application file for complete search history.

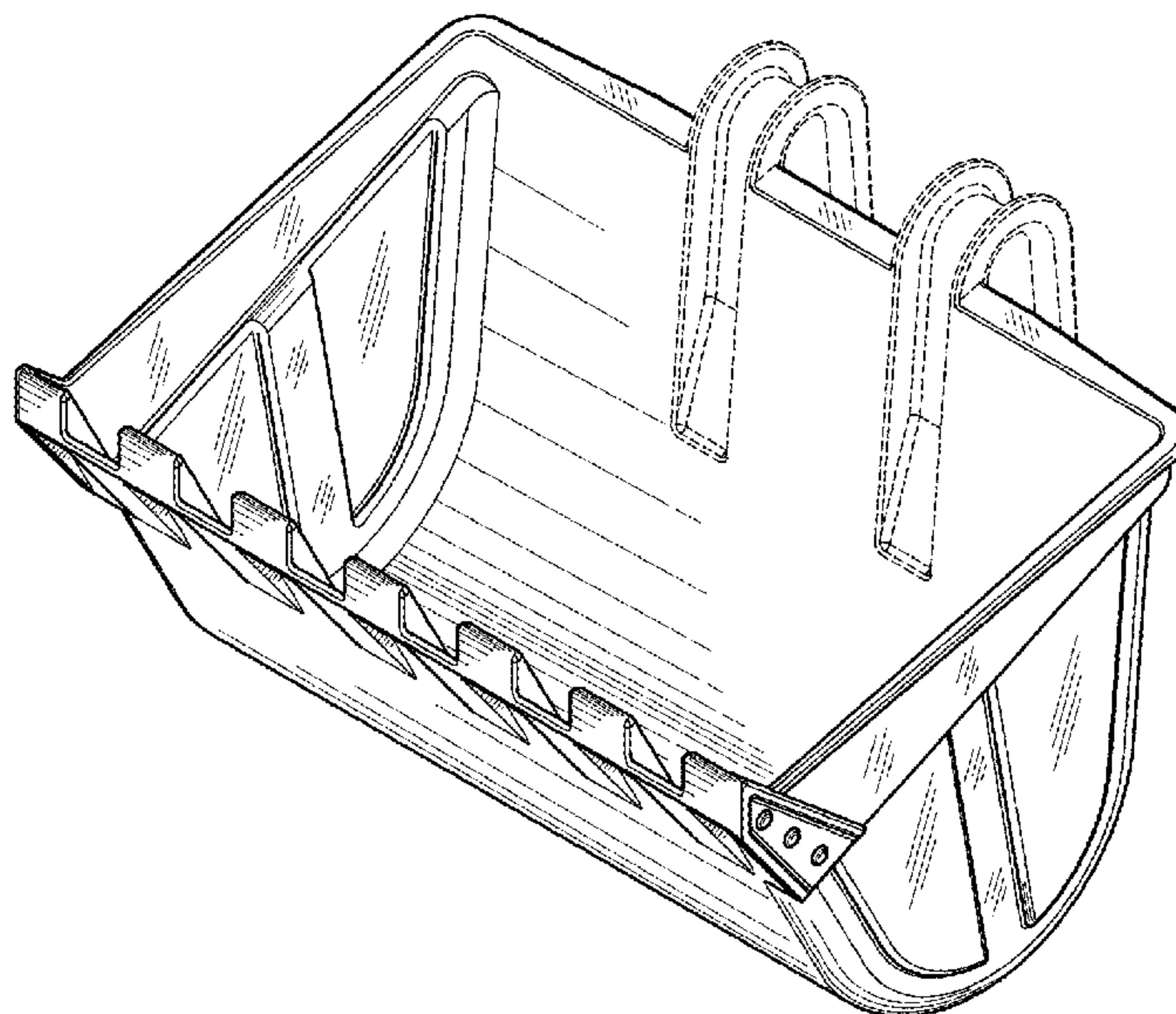
Primary Examiner — George D. Kirschbaum
Assistant Examiner — Clese Moore, Jr.
(74) *Attorney, Agent, or Firm* — Tutunjian & Bitetto, P.C.

(56) **References Cited**
U.S. PATENT DOCUMENTS
D445,676 S * 7/2001 Nance B65D 25/22
D7/590
D466,407 S * 12/2002 Nance D9/424
D466,471 S * 12/2002 Chen D12/407
D594,812 S * 6/2009 Helgerson D12/407

(57) **CLAIM**
The ornamental design for a bicycle basket, as shown and described.

DESCRIPTION
FIG. 1 is a perspective view of the bicycle basket showing my new design;
FIG. 2 is another perspective view thereof;
FIG. 3 is a front view thereof;
FIG. 4 is a rear view thereof;
FIG. 5 is left side view thereof;
FIG. 6 is a right side view thereof;
FIG. 7 is a top view thereof; and,
FIG. 8 is a bottom view thereof.
The broken lines shown illustrate portions of the bicycle basket that form no part of the claimed design.

1 Claim, 4 Drawing Sheets



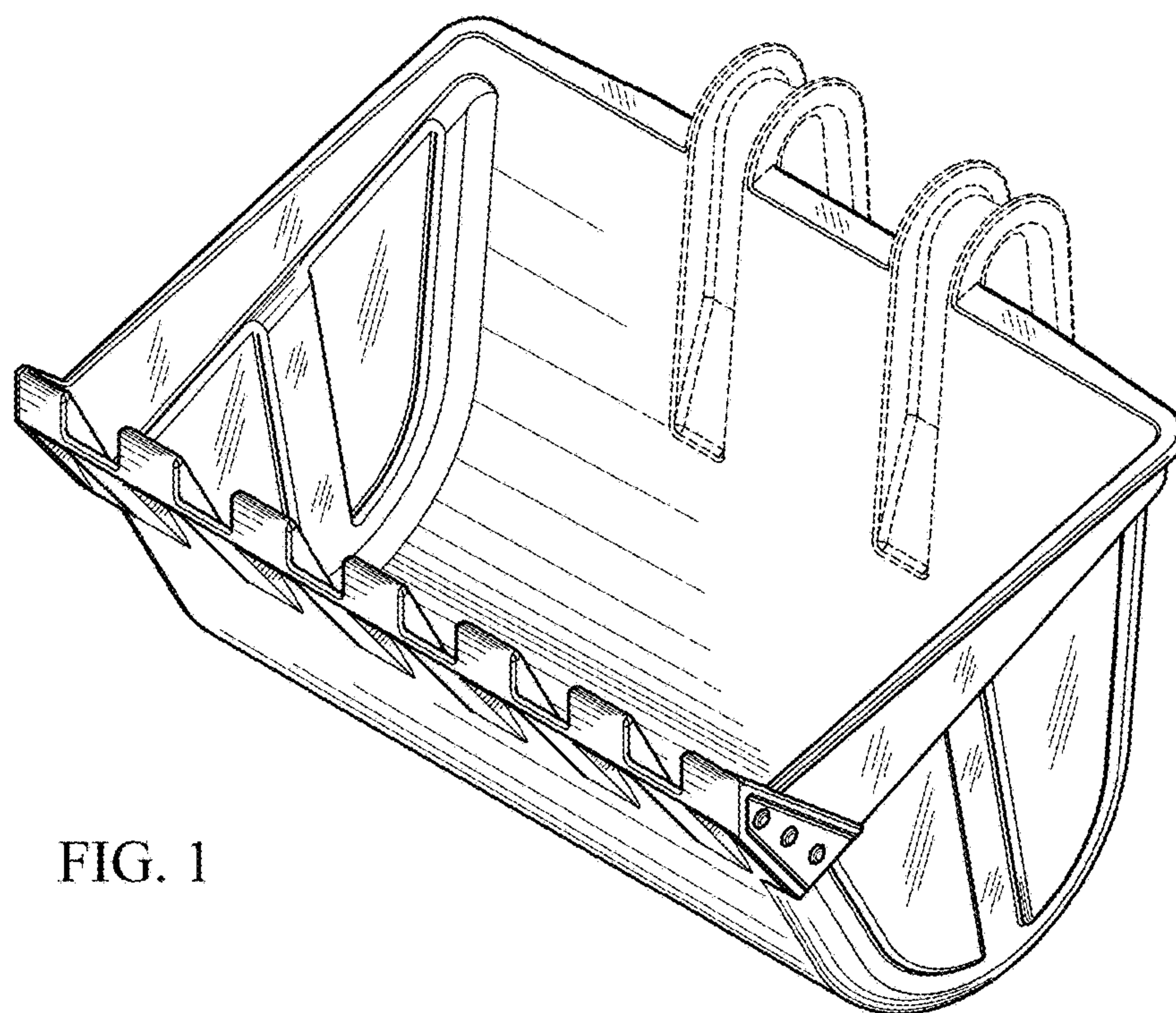


FIG. 1

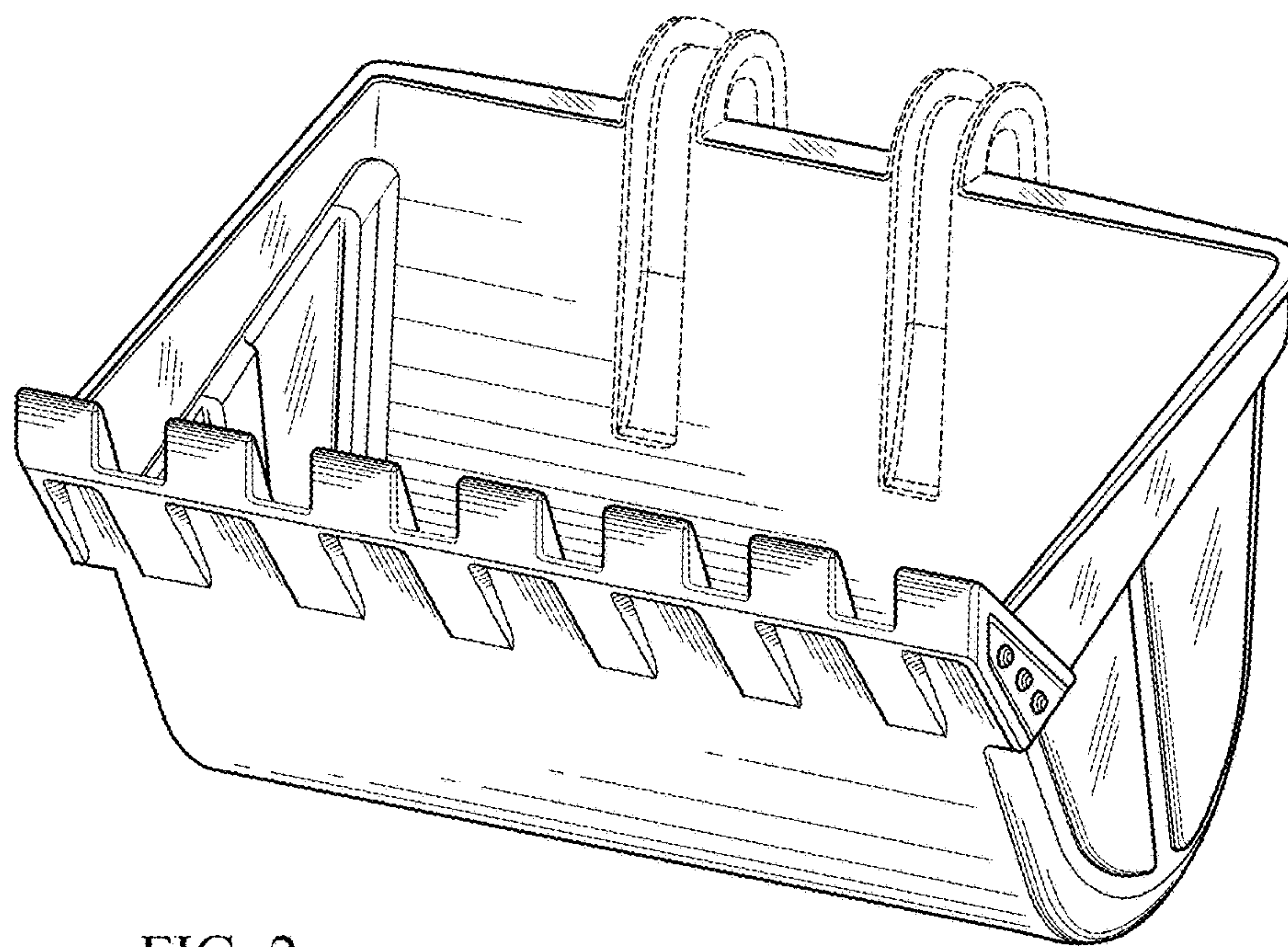


FIG. 2

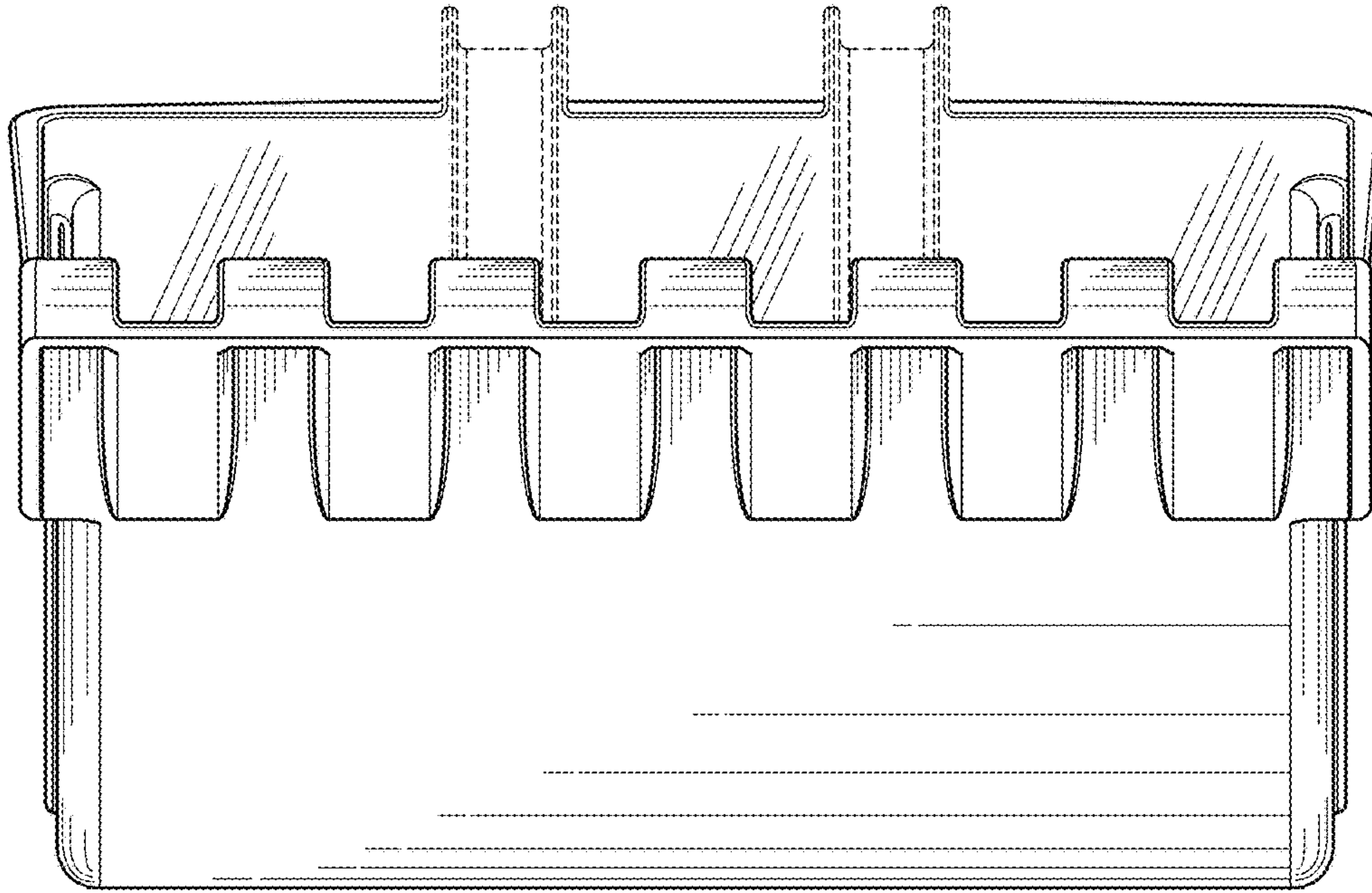


FIG. 3

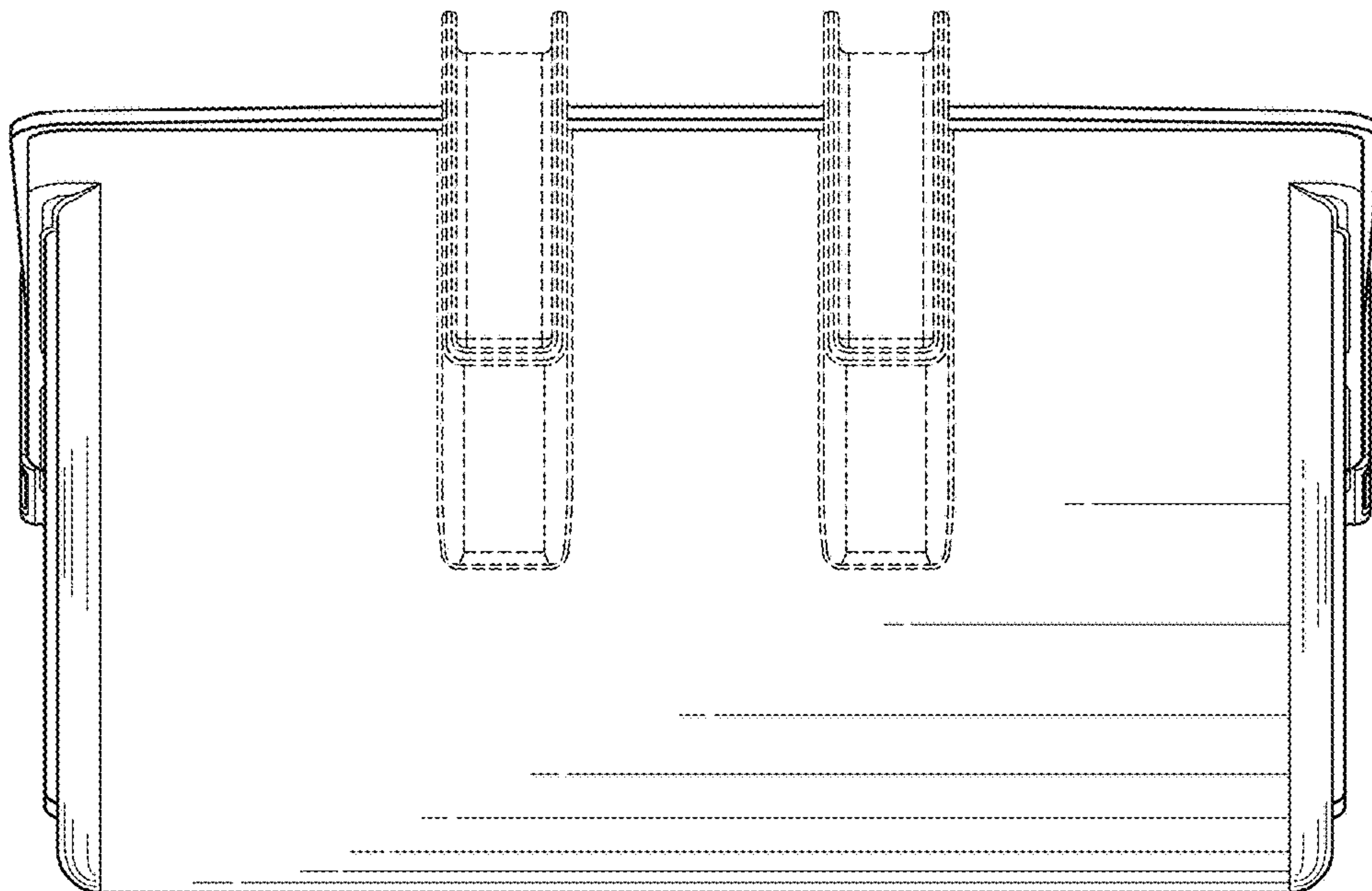


FIG. 4

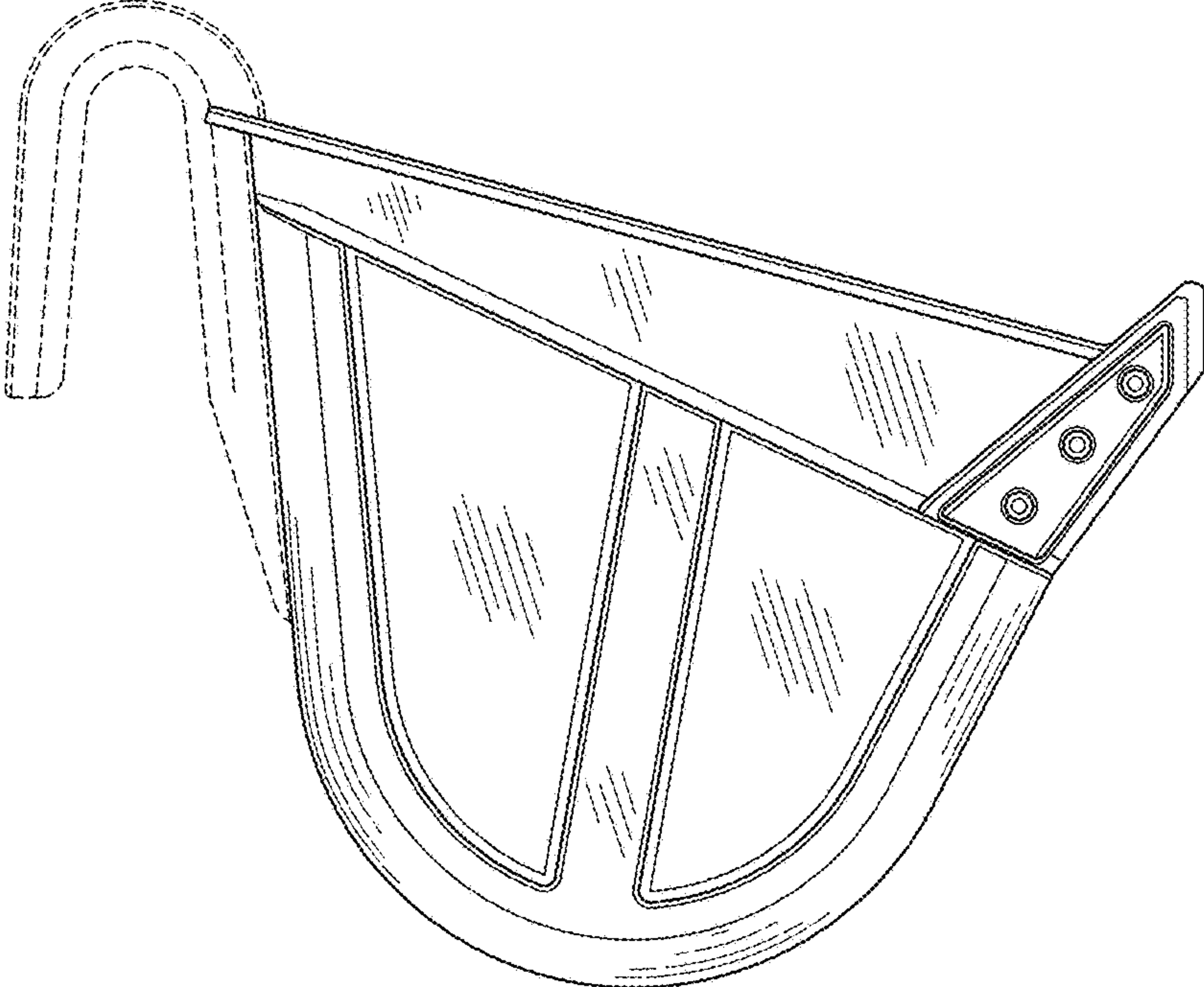


FIG. 5

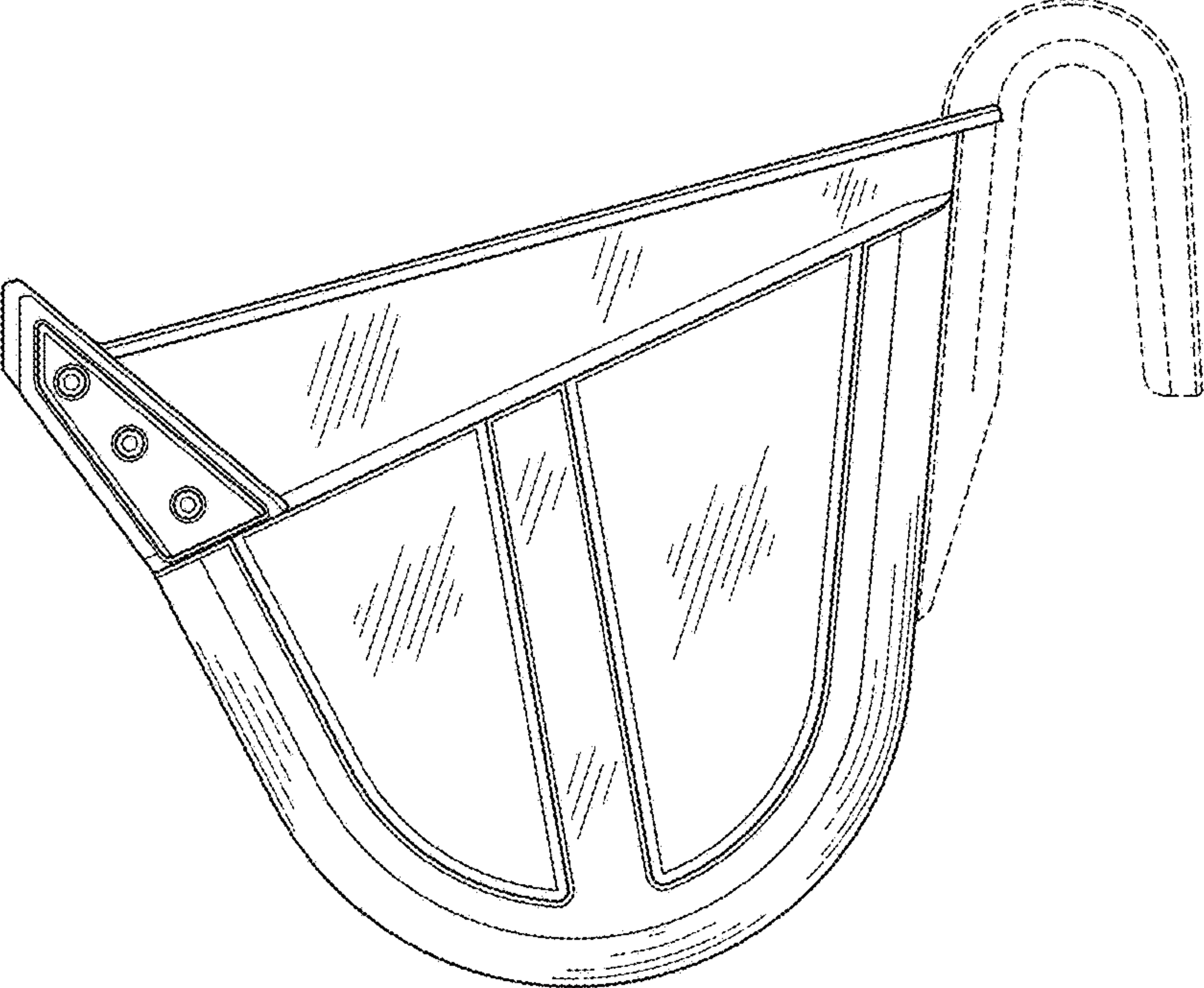


FIG. 6

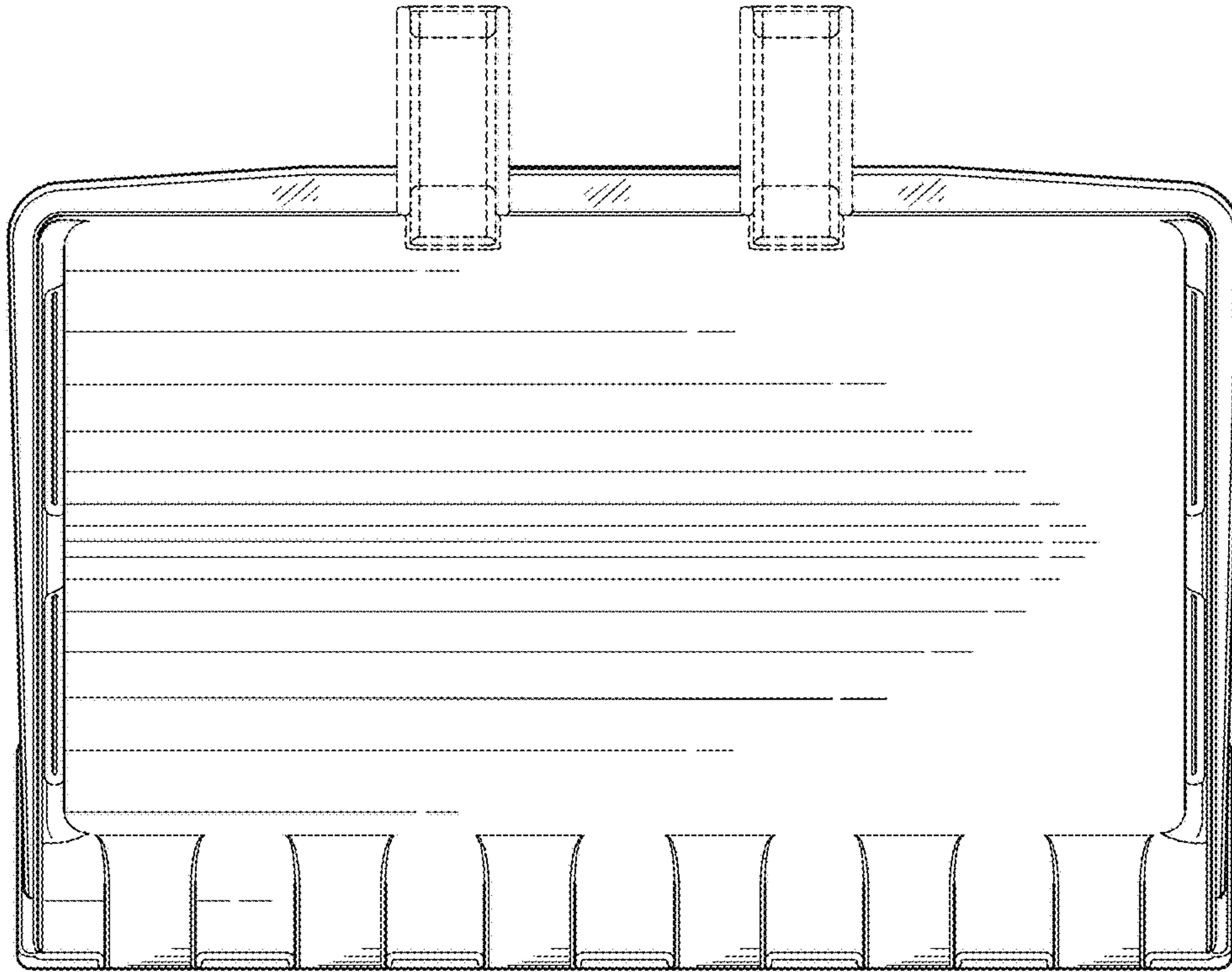


FIG. 7

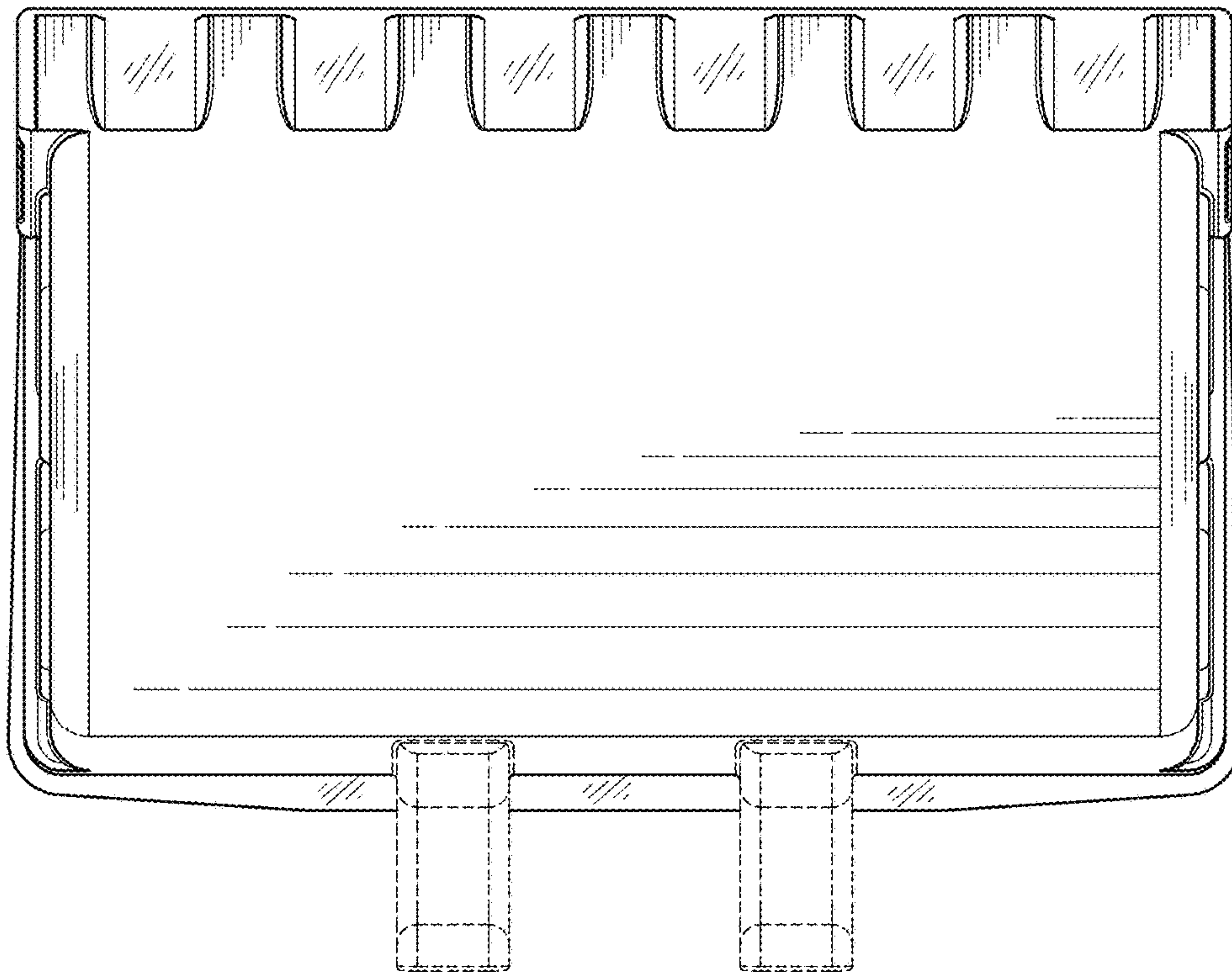


FIG. 8