

US00D803142S

(12) **United States Design Patent** (10) **Patent No.:** **US D803,142 S**
Bauer et al. (45) **Date of Patent:** **** Nov. 21, 2017**

(54) **OUTER SURFACE OF BICYCLE CONTAINER DOOR**
 (71) Applicants: **Greg A. Bauer**, Sacramento, CA (US);
Donn Van Dusen, Yuba City, CA (US)
 (72) Inventors: **Greg A. Bauer**, Sacramento, CA (US);
Donn Van Dusen, Yuba City, CA (US)

6,718,697 B2 * 4/2004 Voorhees B62H 3/00
 135/87
 D675,556 S * 2/2013 Isakov D12/402
 D679,771 S * 4/2013 Muggleton D12/401
 D689,011 S * 9/2013 Isakov B62H 3/12
 D12/402
 D723,451 S * 3/2015 Depew, Jr. D12/402
 D781,209 S * 3/2017 Houck D12/402

* cited by examiner

(73) Assignee: **PARK A BIKE, INC.**, Sacramento, CA (US)

Primary Examiner — Katrina A Betton
 (74) *Attorney, Agent, or Firm* — Heisler & Associates

(**) Term: **15 Years**

(57) **CLAIM**

(21) Appl. No.: **29/552,266**

The ornamental design for an outer surface of bicycle container door, as shown and described.

(22) Filed: **Jan. 21, 2016**

DESCRIPTION

(51) **LOC (10) Cl.** **12-16**

(52) **U.S. Cl.**
USPC **D12/402**

(58) **Field of Classification Search**
 USPC D12/401–405; D6/610, 611, 601–603,
 D6/615, 617, 621; D7/332, 334–337
 CPC B62J 19/00; B62J 1/18; B62J 1/26; B62J
 1/24; B62J 1/28; B62J 1/22
 See application file for complete search history.

FIG. 1 is a perspective view of an outer surface of bicycle container door.
 FIG. 2 is a front elevation view of the invention.
 FIG. 3 is a top plan view of the invention, the bottom plan view being a mirror image.
 FIG. 4 is a left side elevation view of the invention.
 FIG. 5 is a right side elevation view of the invention.
 FIG. 6 is a perspective view of the invention shown on a bicycle container.
 FIG. 7 is a perspective view of a second embodiment of the invention; and,
 FIG. 8 is a front elevation view of a second embodiment of the invention.

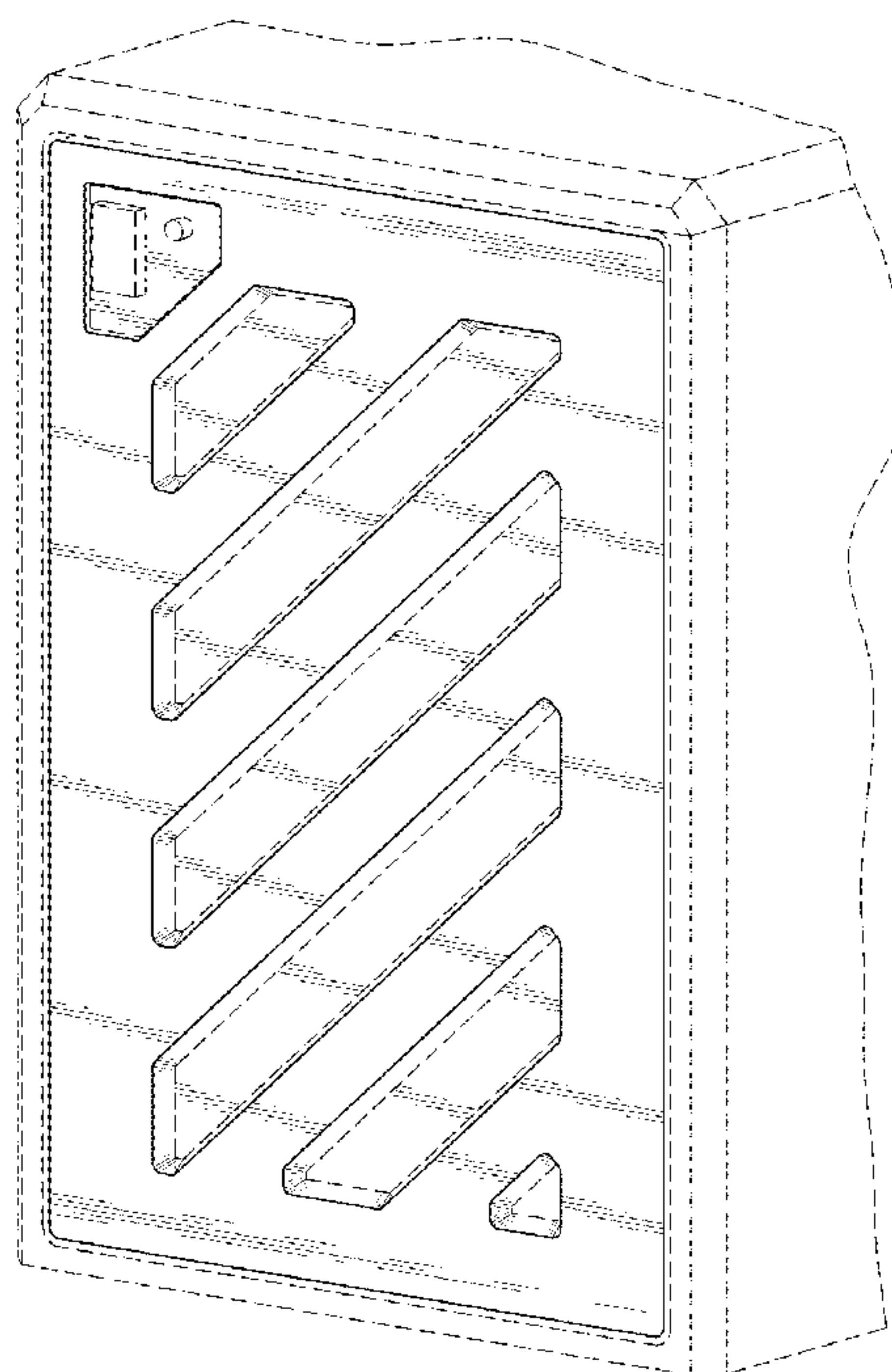
The broken lines in the drawings represent unclaimed environmental subject matter and form no part of the claim.

(56) **References Cited**

U.S. PATENT DOCUMENTS

D224,373 S * 7/1972 Lischeron D12/402
 D334,837 S * 4/1993 Bradley D12/402
 D377,474 S * 1/1997 Rhead D12/402
 D405,045 S * 2/1999 Sauve D12/402

1 Claim, 3 Drawing Sheets



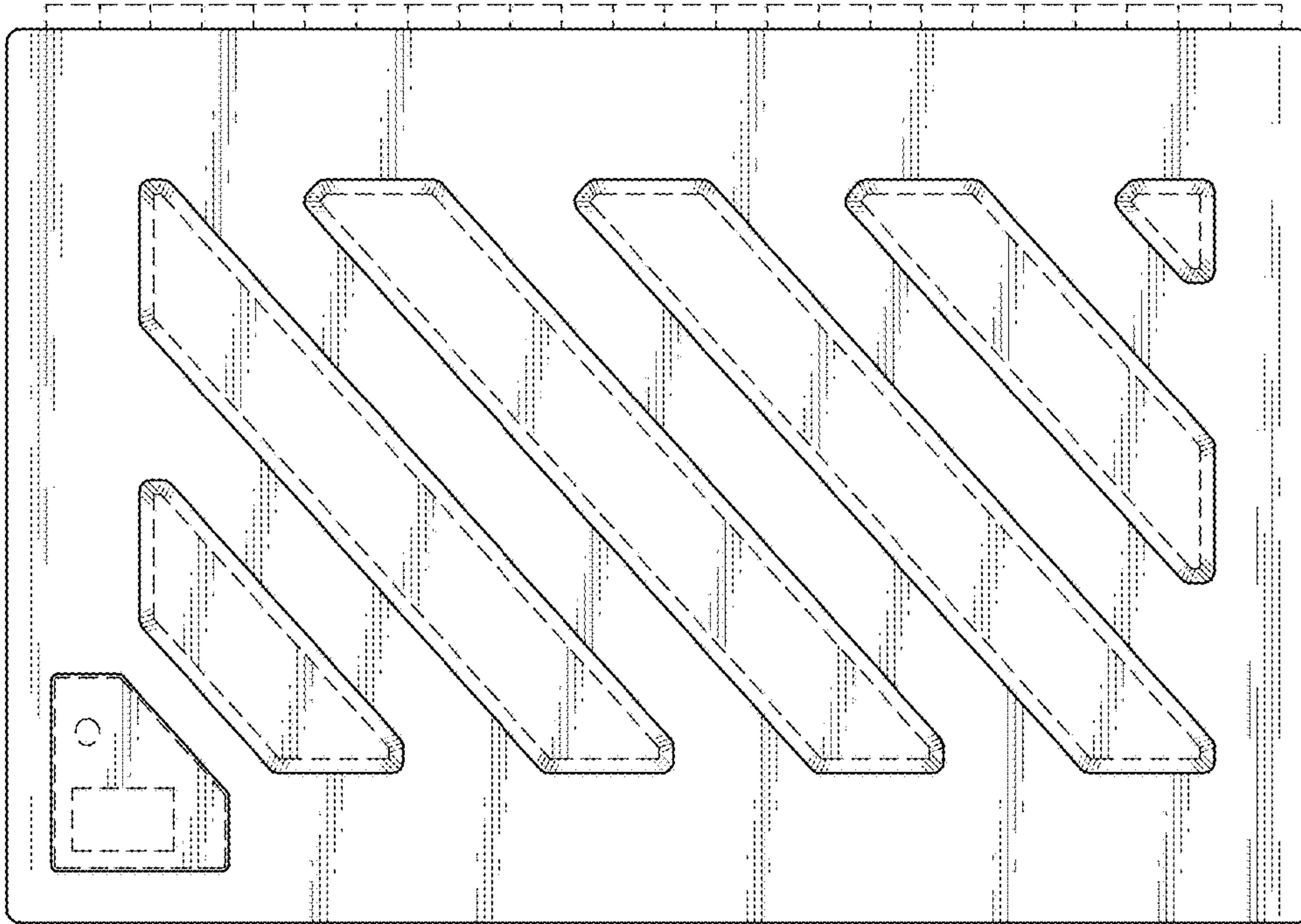


Fig. 2

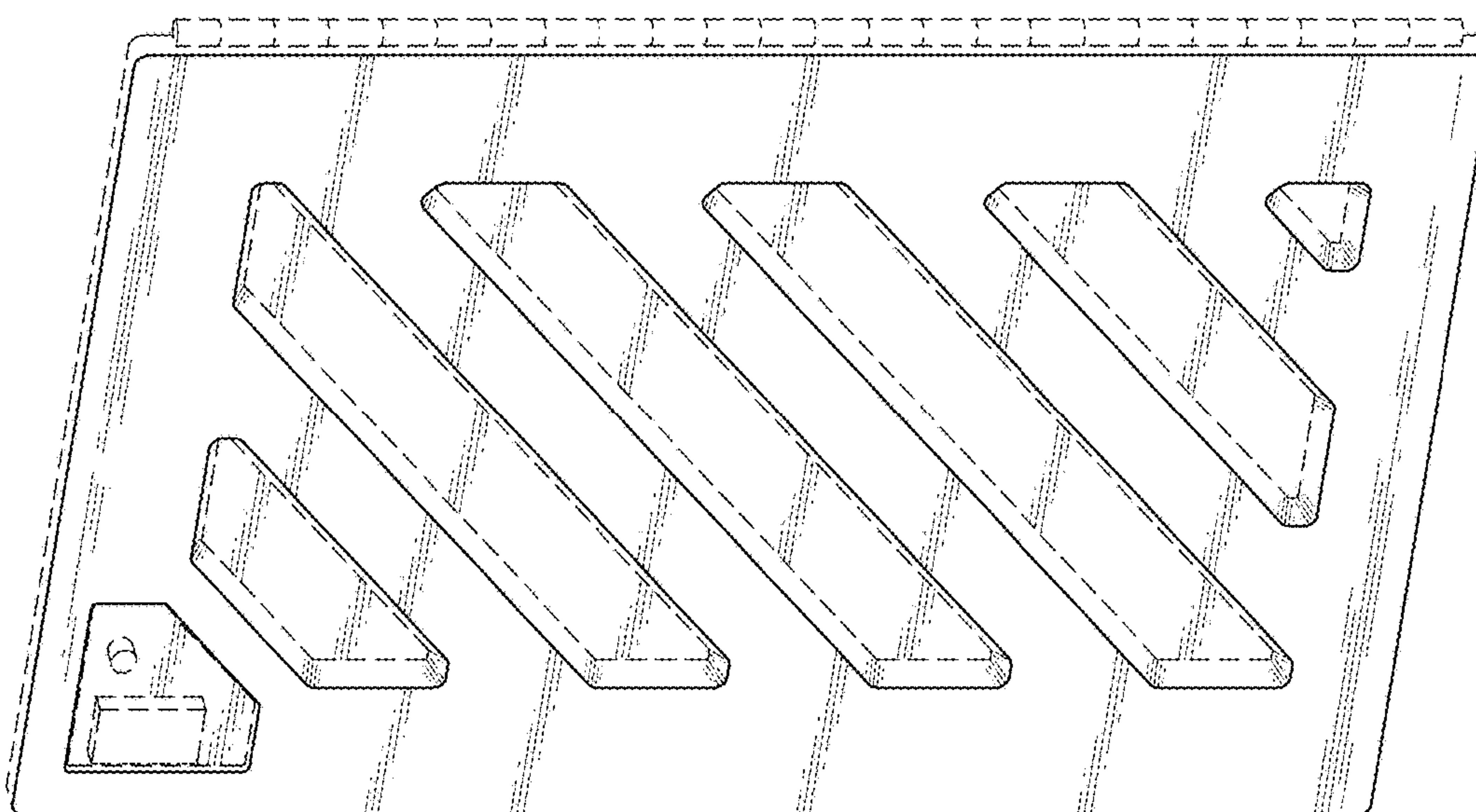


Fig. 1

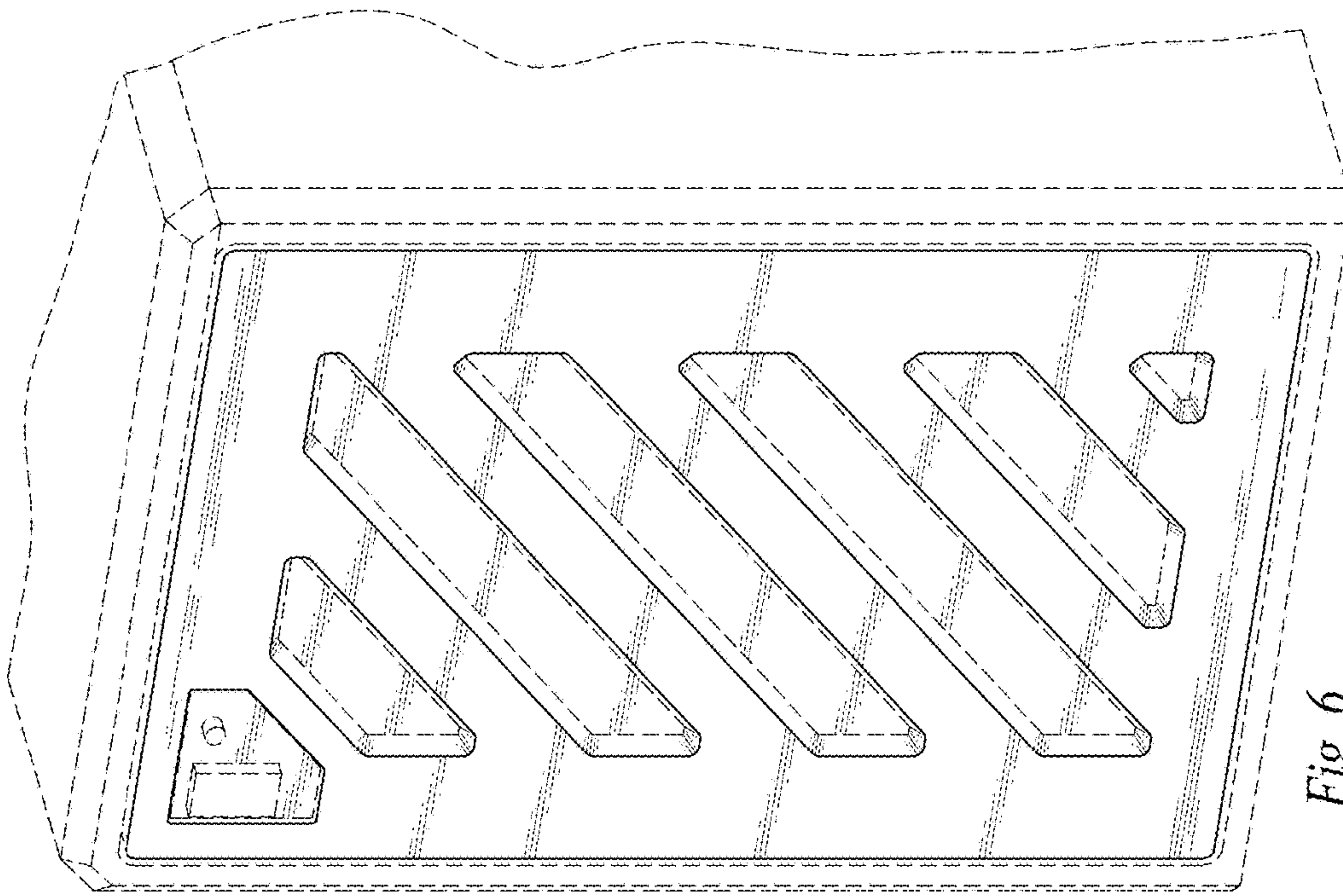


Fig. 6

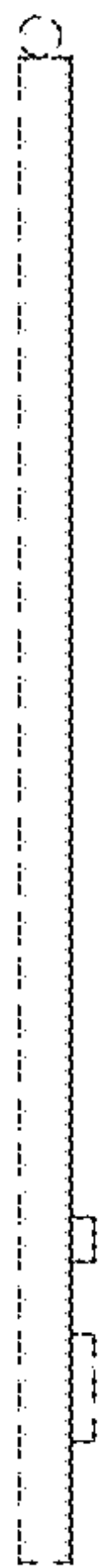


Fig. 3

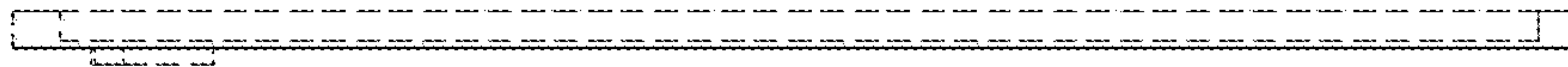


Fig. 5

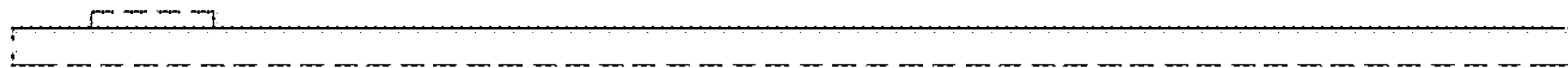


Fig. 4

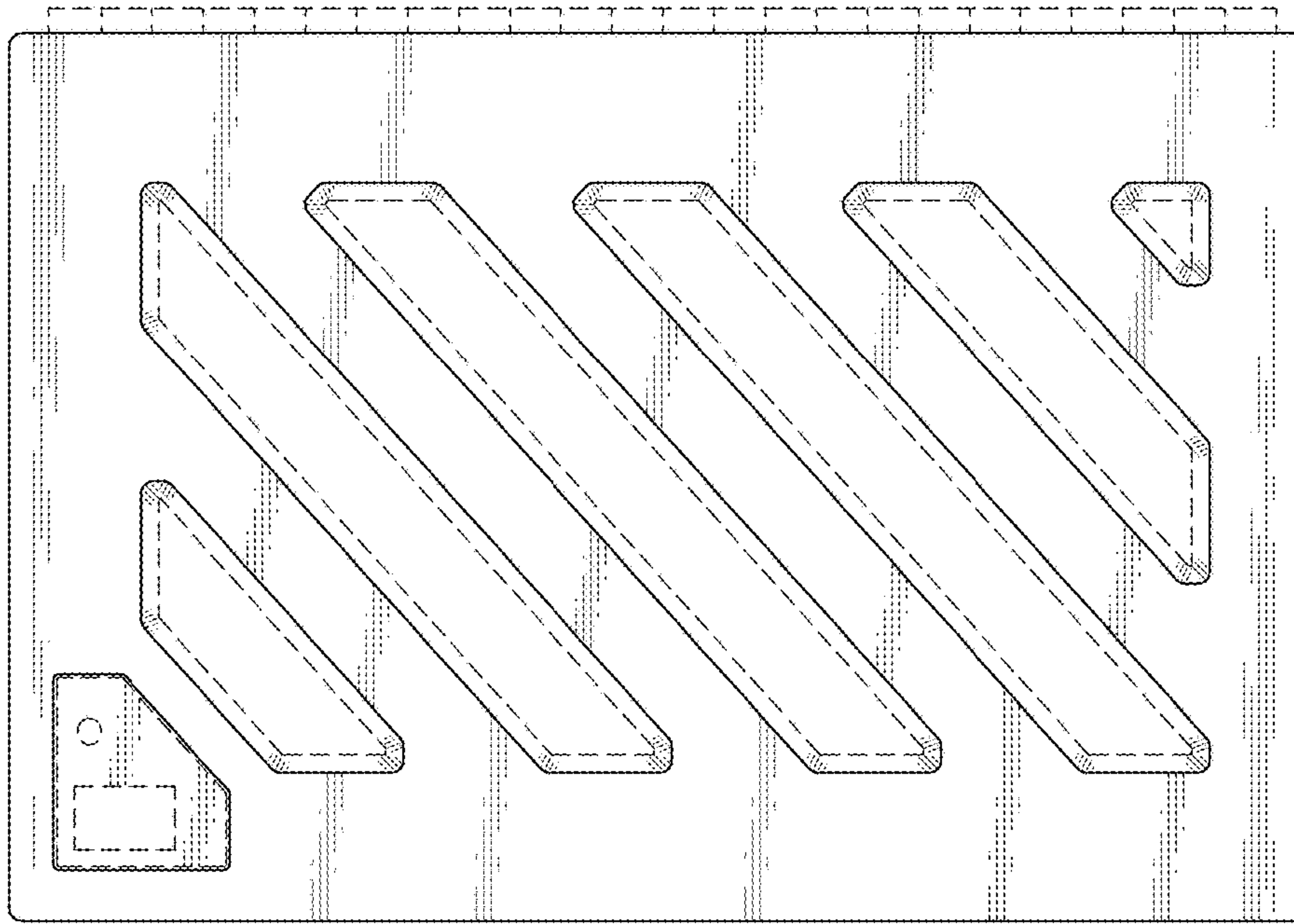


Fig. 8

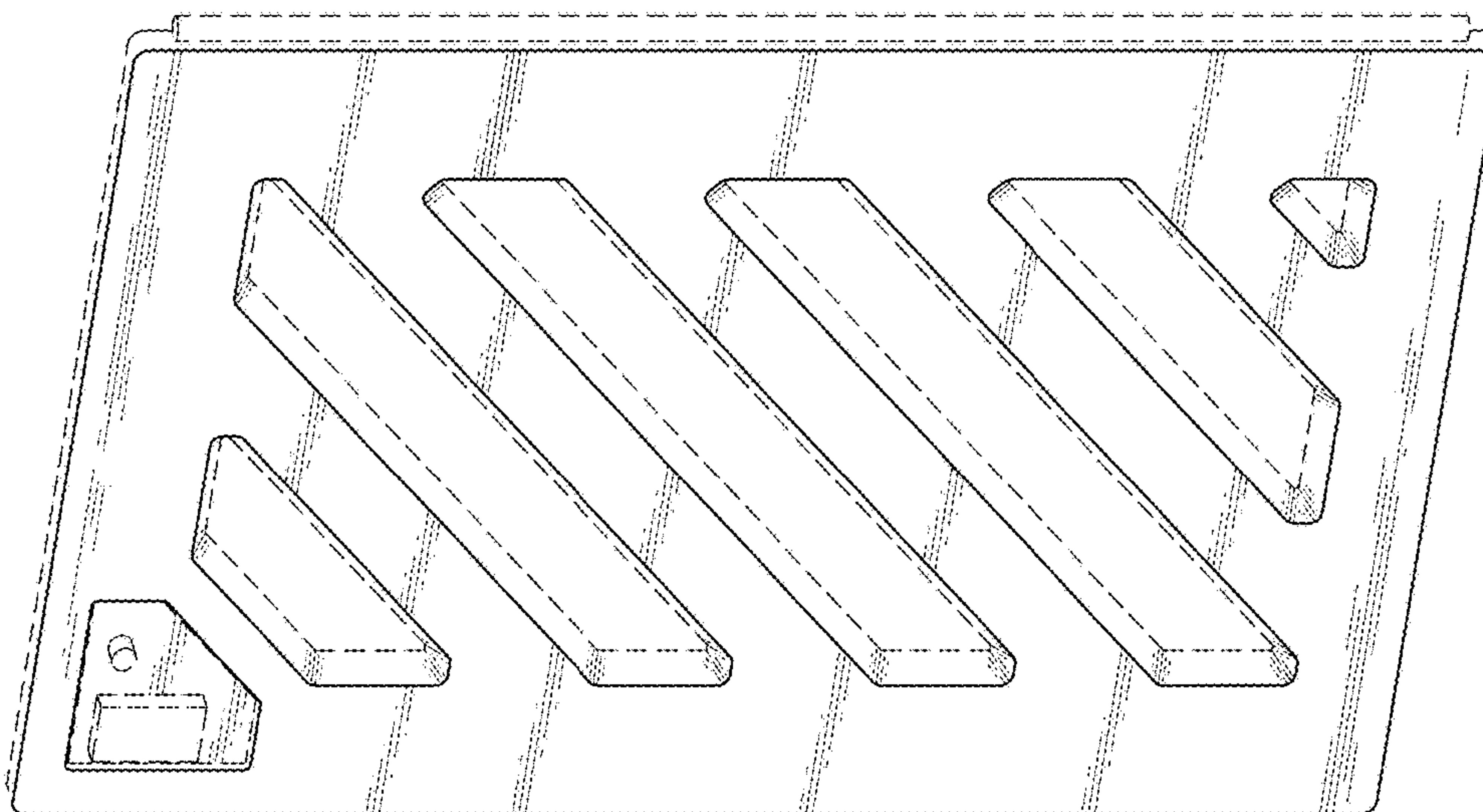


Fig. 7