



US00D803140S

(12) **United States Design Patent** (10) **Patent No.:** **US D803,140 S**
Brown (45) **Date of Patent:** **** Nov. 21, 2017**

(54) **VEHICLE EQUIPMENT MOUNTING ARM**
 (71) Applicant: **SUMO CONCEPTS, INC.**, Knoxville, TN (US)

(72) Inventor: **Joel Brown**, Knoxville, TN (US)

(73) Assignee: **SUMO CONCEPTS, INC.**, Knoxville, TN (US)

(**) Term: **15 Years**

(21) Appl. No.: **29/560,179**

(22) Filed: **Apr. 4, 2016**

(51) **LOC (10) Cl.** **12-16**

(52) **U.S. Cl.**
 USPC **D12/400**

(58) **Field of Classification Search**
 USPC D12/400
 CPC B60R 3/00
 See application file for complete search history.

(56) **References Cited**

U.S. PATENT DOCUMENTS

D441,740 S *	5/2001	Petruzzelli	D14/231
7,665,799 B1 *	2/2010	Winter, IV	B60P 3/40 296/183.1
D682,258 S *	5/2013	Anderson	D14/239
D741,869 S *	10/2015	Xiang	D14/452
D747,179 S *	1/2016	Xiang	D8/363
D775,629 S *	1/2017	Xiang	D14/452
2009/0273170 A1 *	11/2009	Ballard	B60Q 1/2661 280/756

2011/0101630 A1 *	5/2011	Sakai	B21D 7/00 280/5.506
2014/0125044 A1 *	5/2014	Mantovani	B60R 21/13 280/756
2017/0021928 A1 *	1/2017	Satterfield	B64D 11/00153

* cited by examiner

Primary Examiner — Katrina A Betton

(74) *Attorney, Agent, or Firm* — Oliff PLC

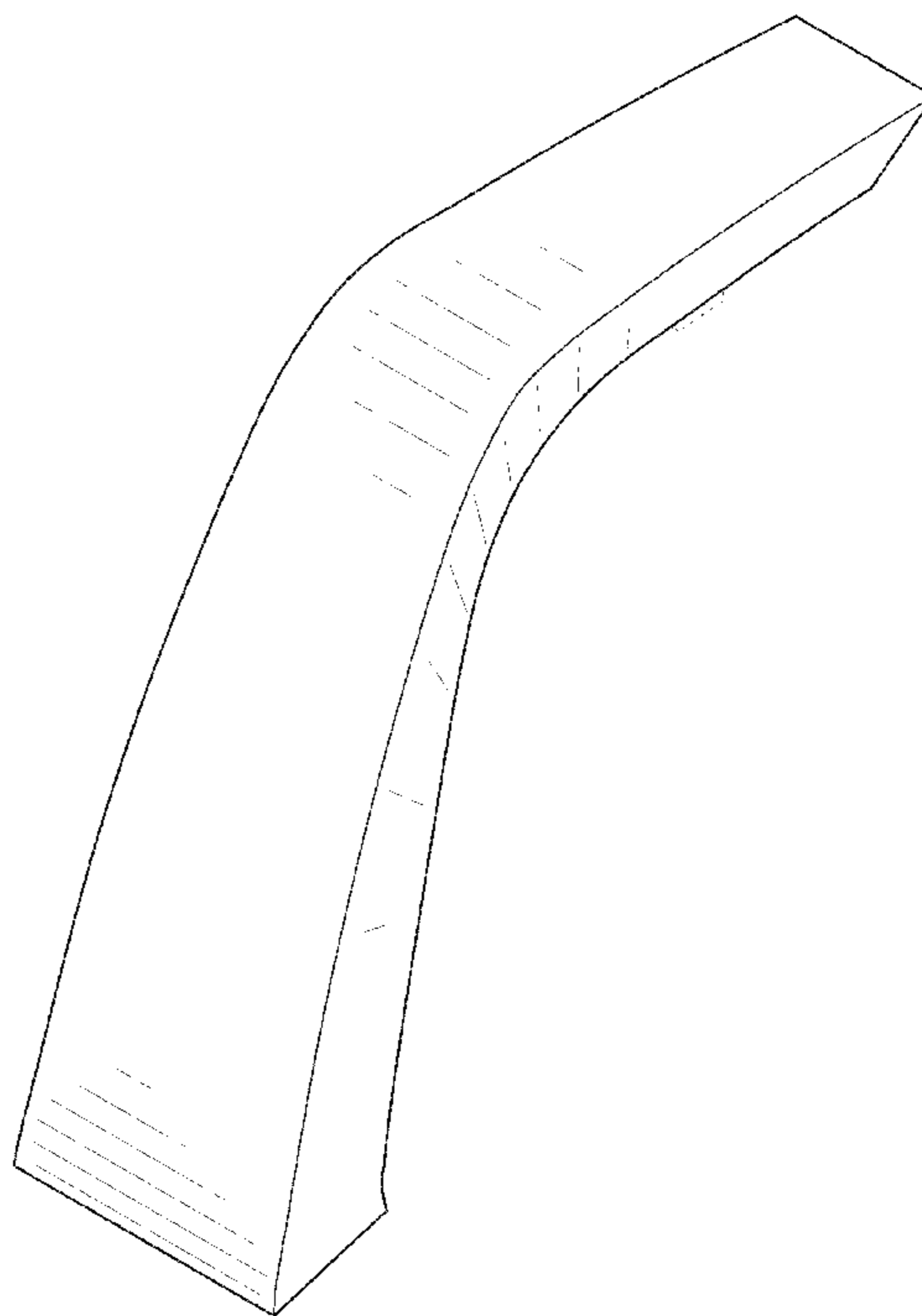
(57) **CLAIM**

The ornamental design for a vehicle equipment mounting arm, as shown and described.

DESCRIPTION

FIG. 1 is a front, left-side, top perspective view of the vehicle equipment mounting arm;
 FIG. 2 is a top plan view thereof;
 FIG. 3 is a front elevational view thereof;
 FIG. 4 is a left-side elevational view thereof;
 FIG. 5 is a right-side elevational view thereof;
 FIG. 6 is a bottom plan view thereof;
 FIG. 7 is a front, right-side, bottom perspective view thereof;
 FIG. 8 is a reference perspective view showing two of the vehicle equipment mounting arms attached to a storage box in an extended state;
 FIG. 9 is a reference elevational view showing two of the vehicle equipment mounting arms attached to a storage box in an extended state; and,
 FIG. 10 is a reference cross-sectional view showing two of the vehicle equipment mounting arms attached to a storage box in a retracted state.
 The broken lines depict either unclaimed portions of the vehicle equipment mounting arm or environmental subject matter. The broken lines form no part of the claimed design.

1 Claim, 7 Drawing Sheets



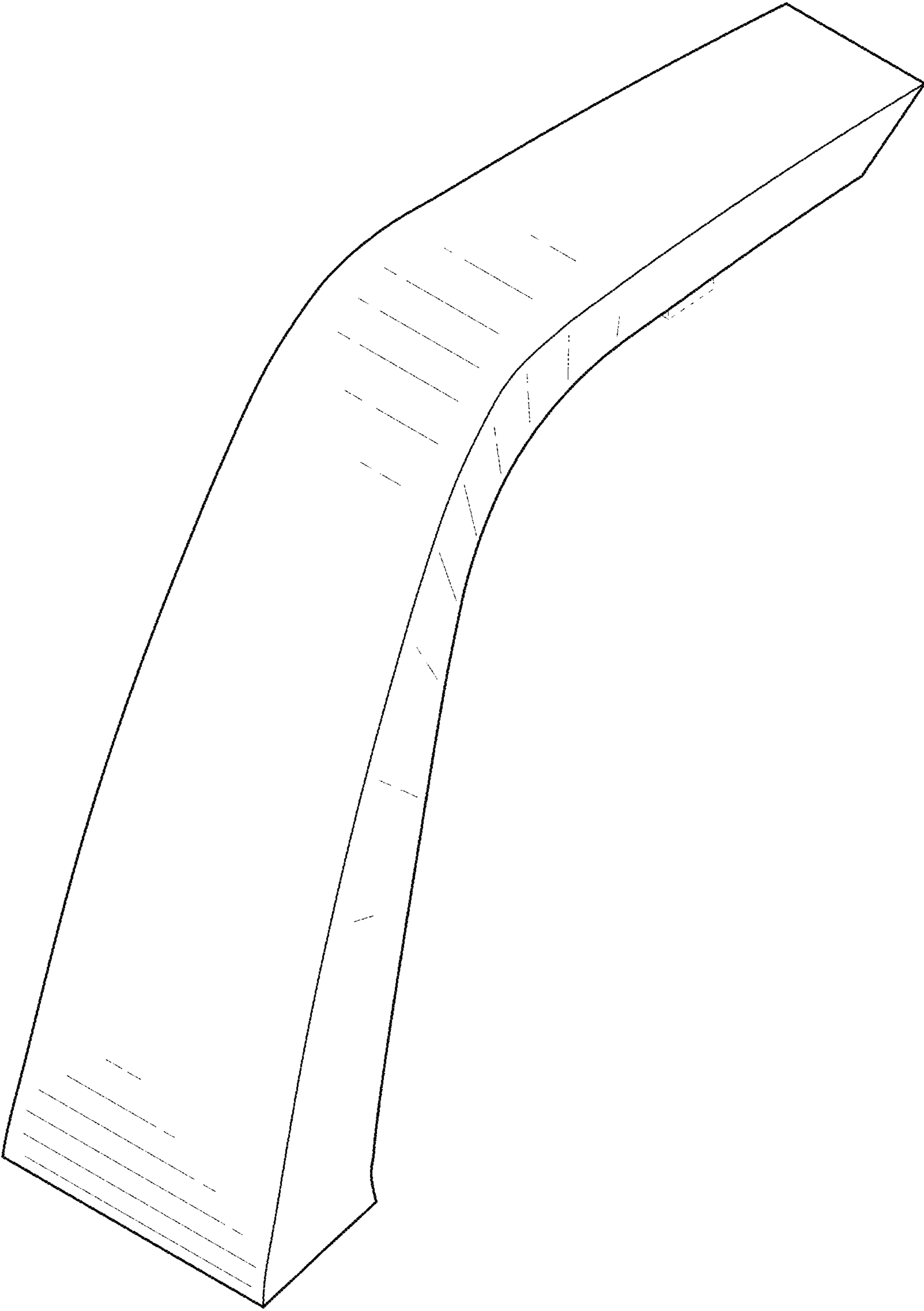


FIG. 1

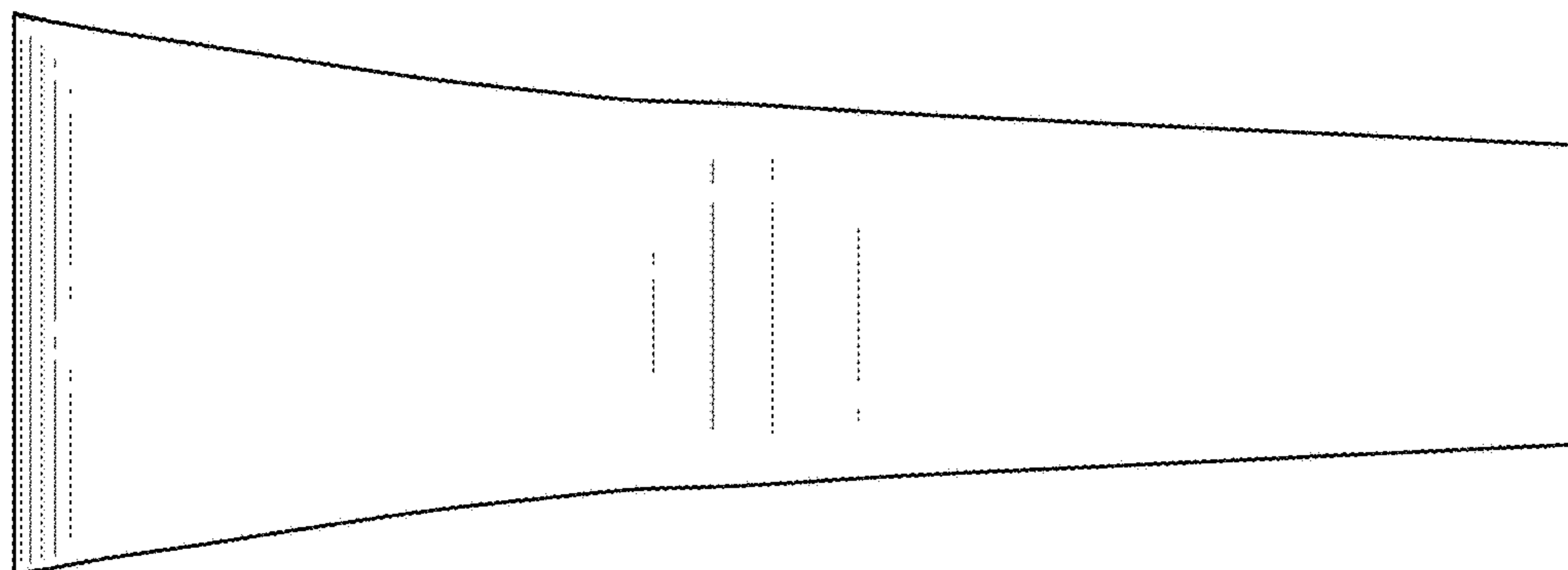


FIG. 2

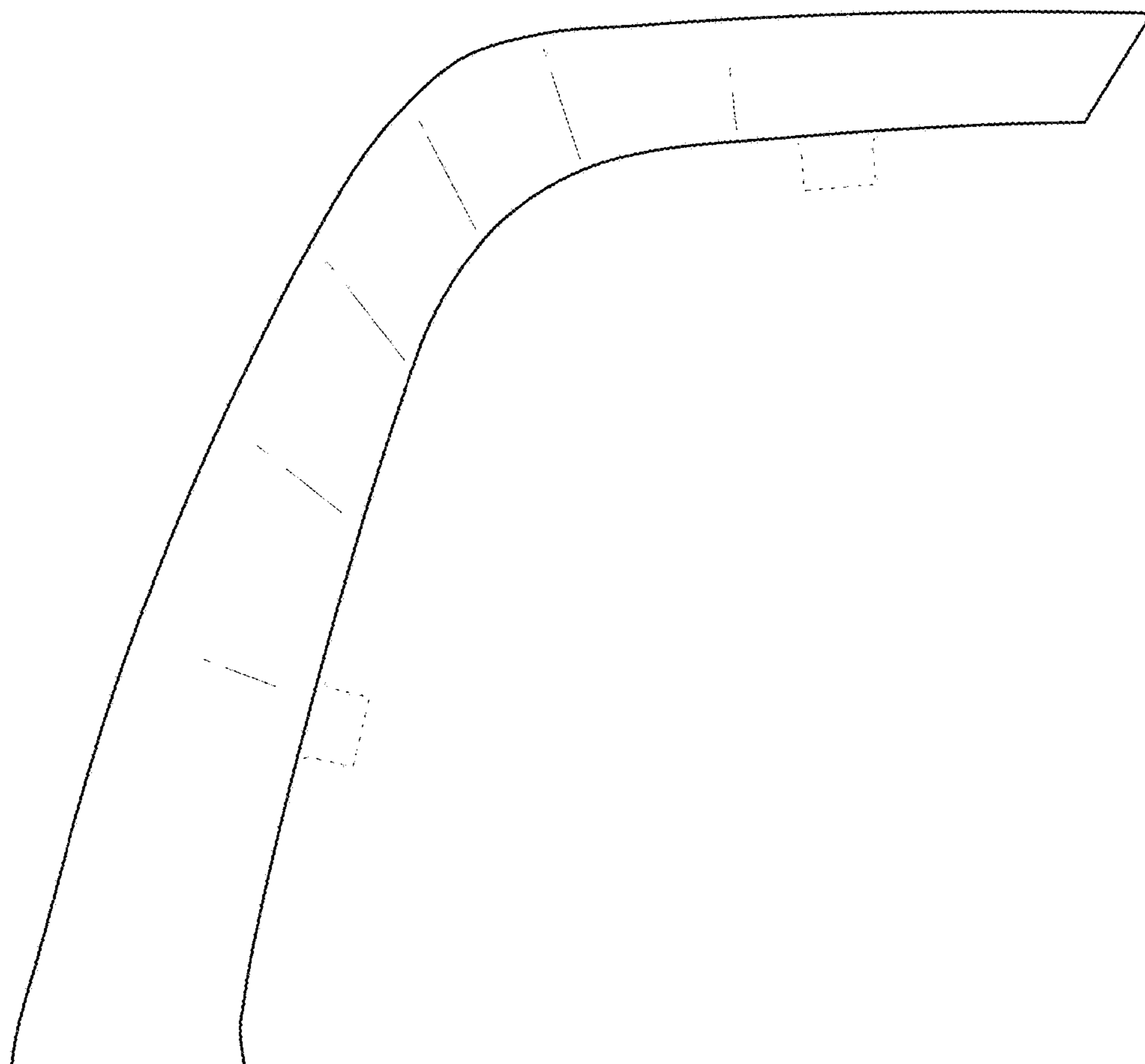


FIG. 3

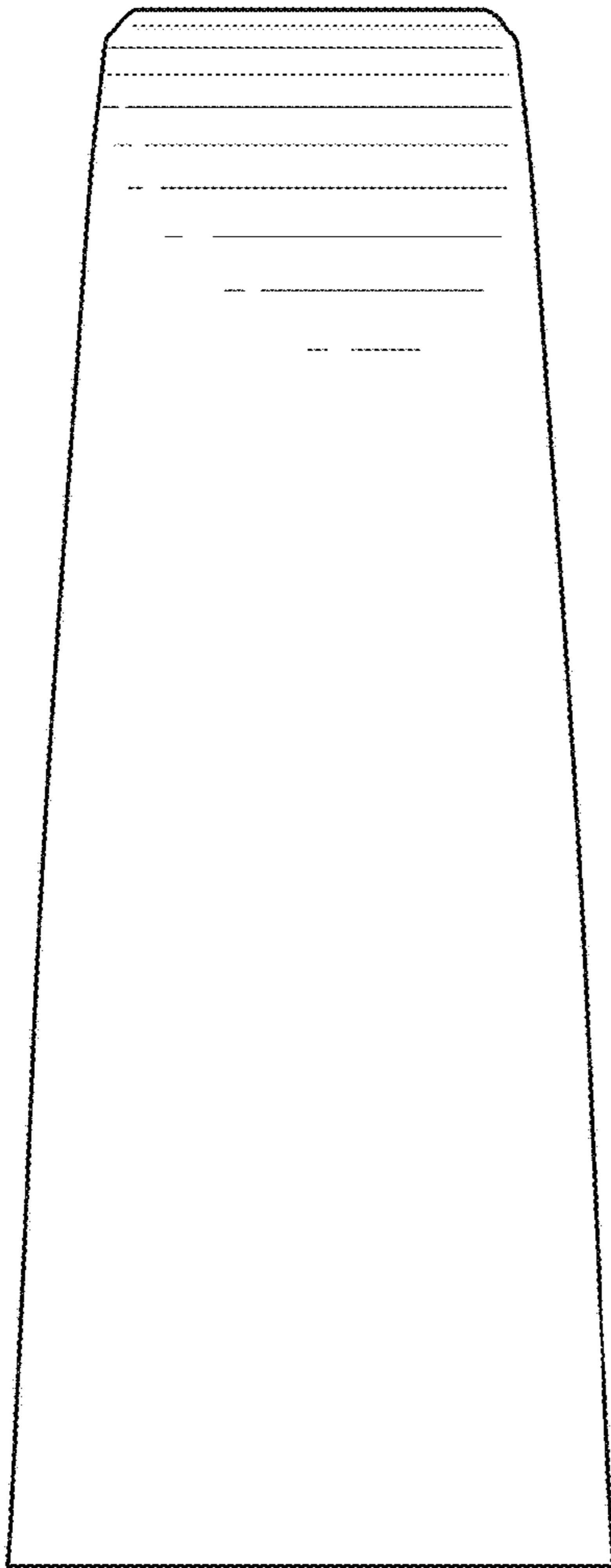


FIG. 4

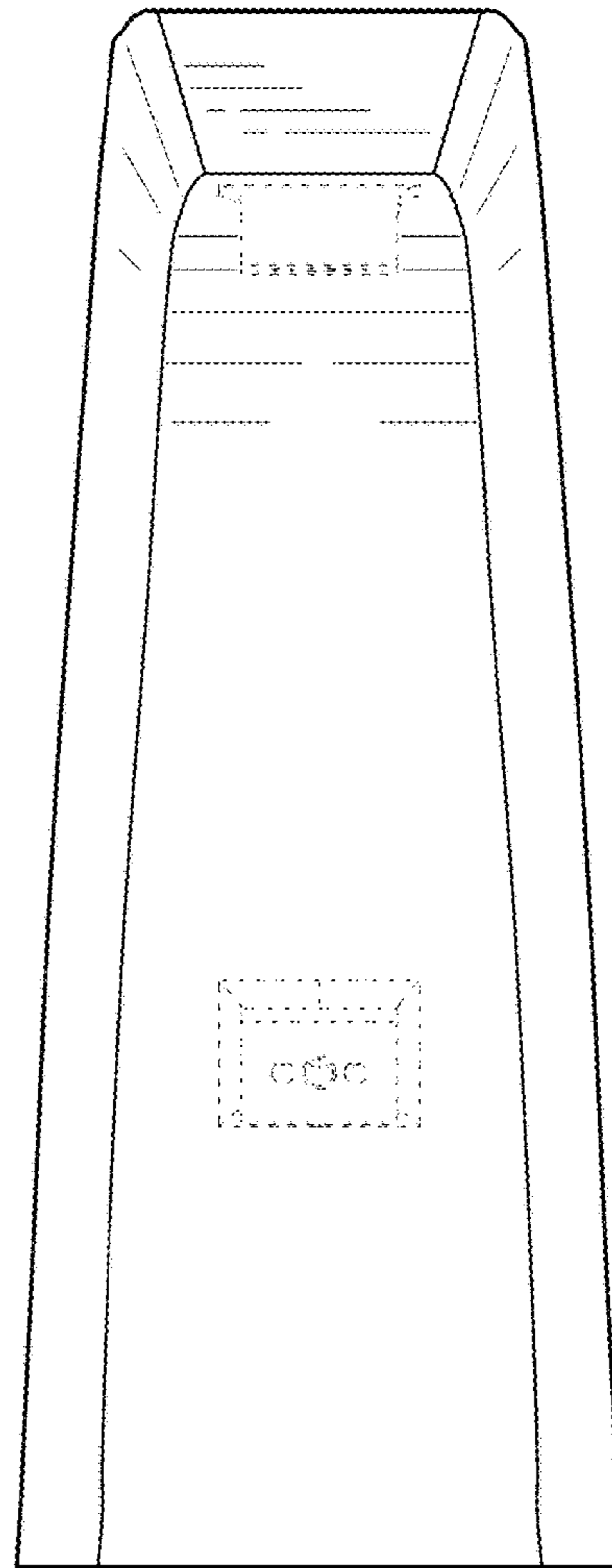


FIG. 5

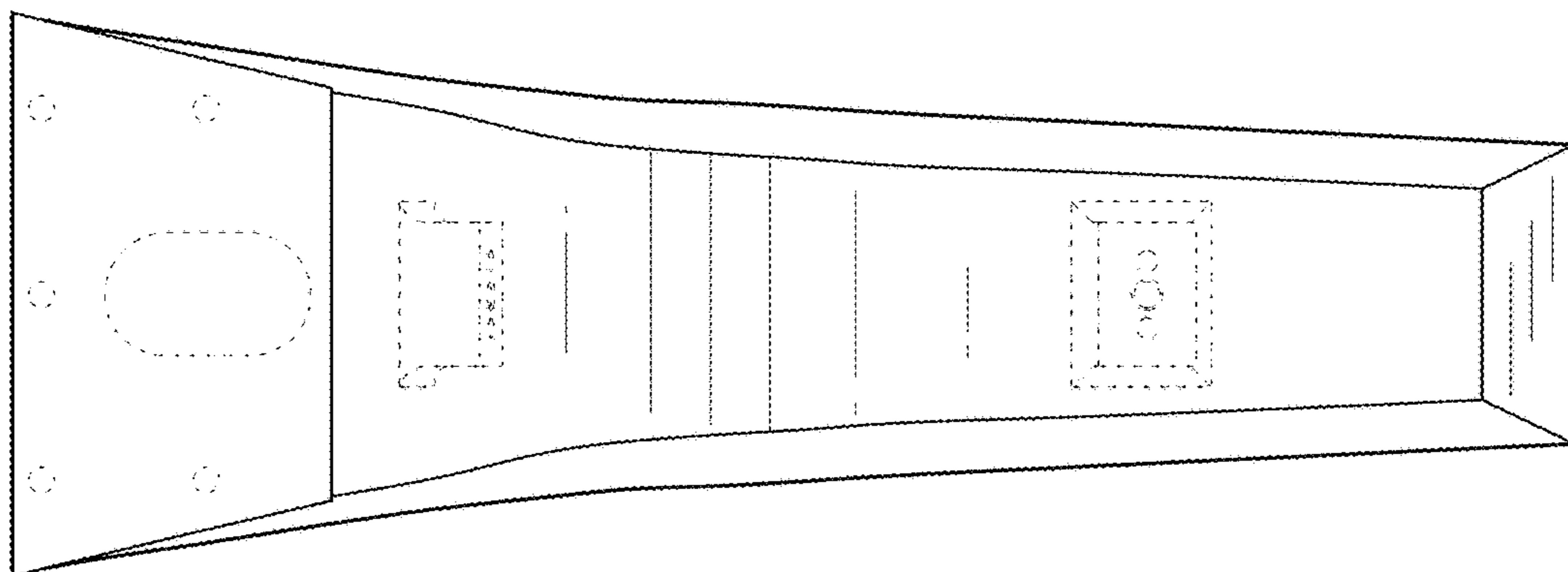


FIG. 6

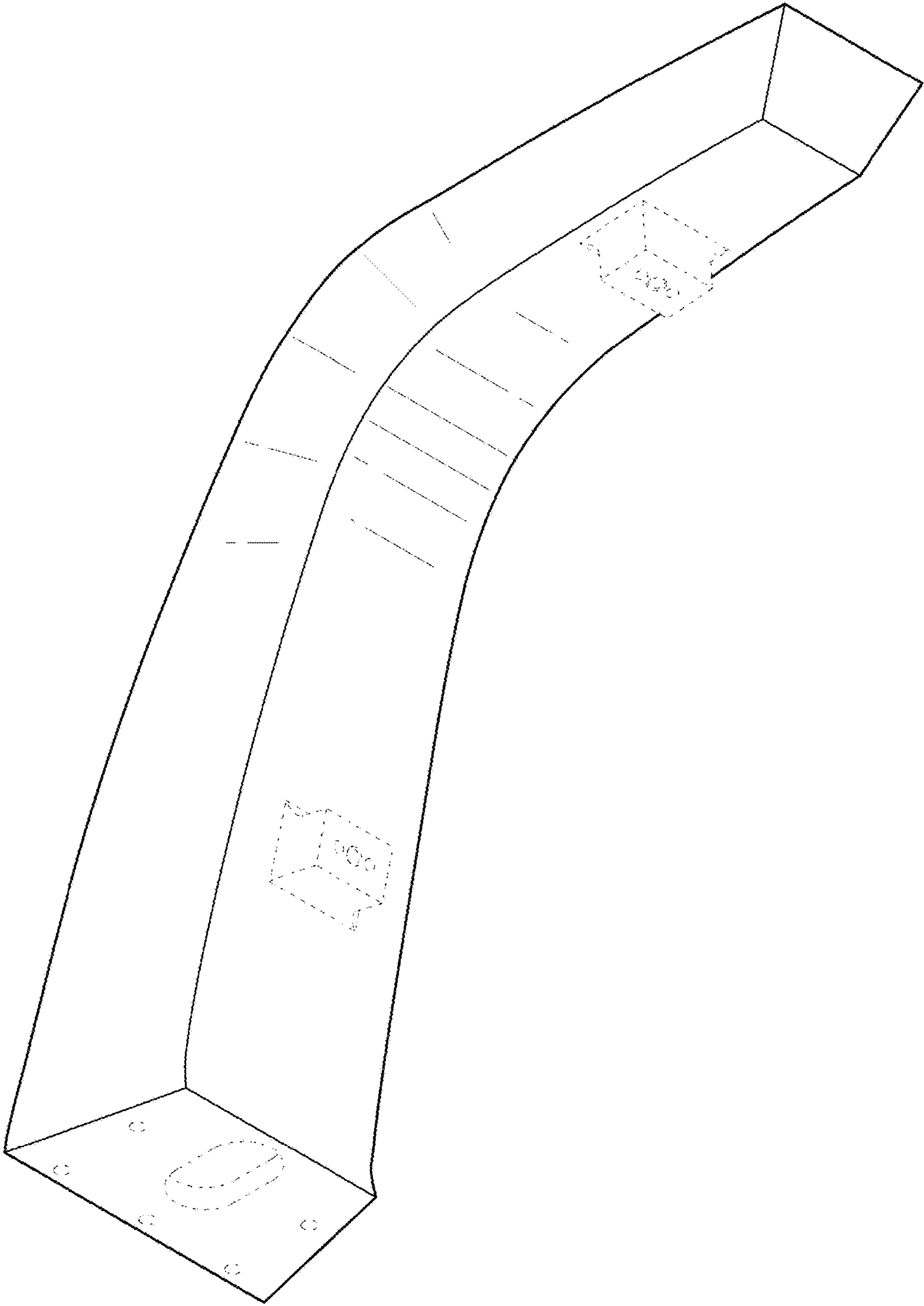


FIG. 7

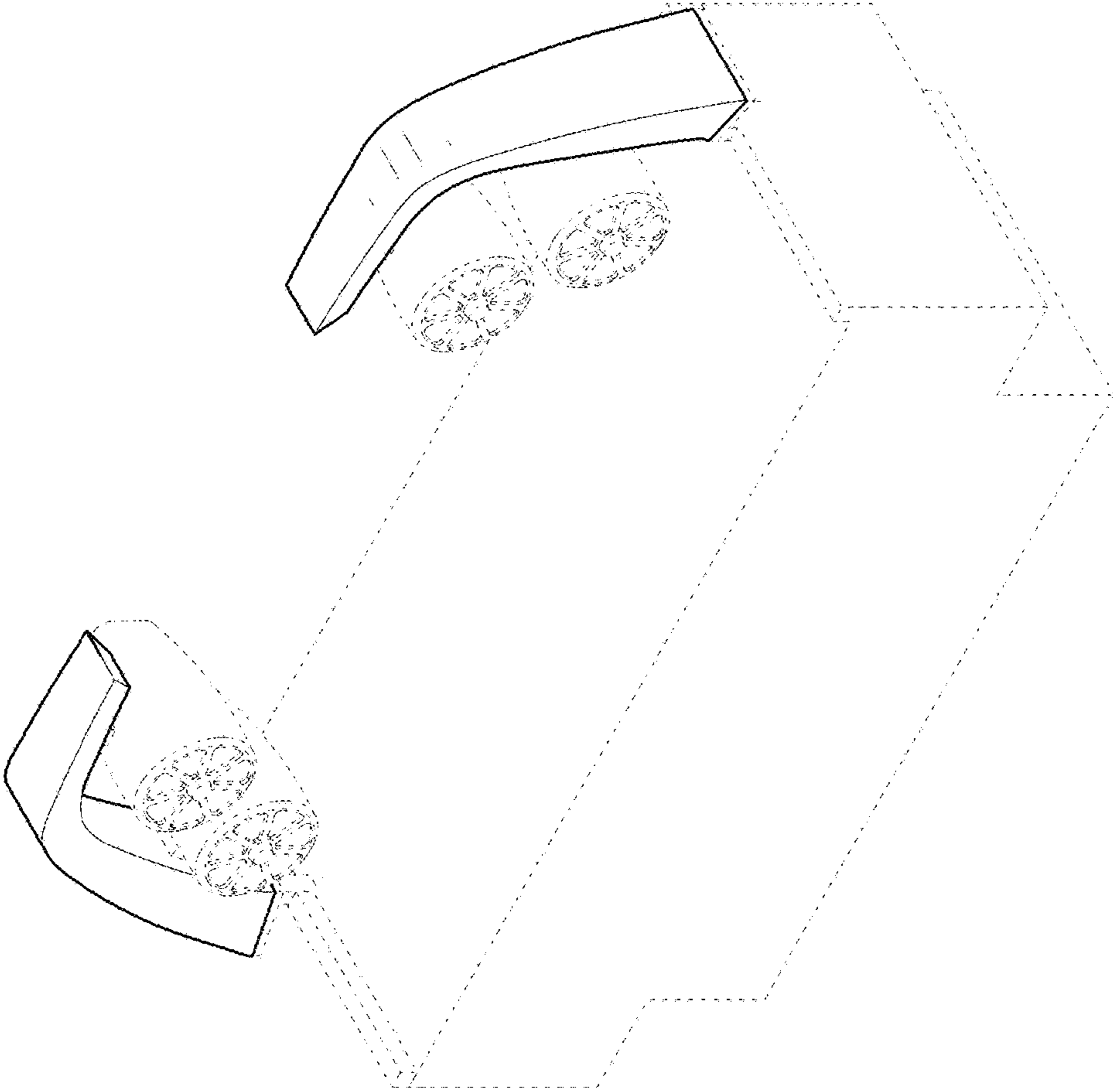


FIG. 8

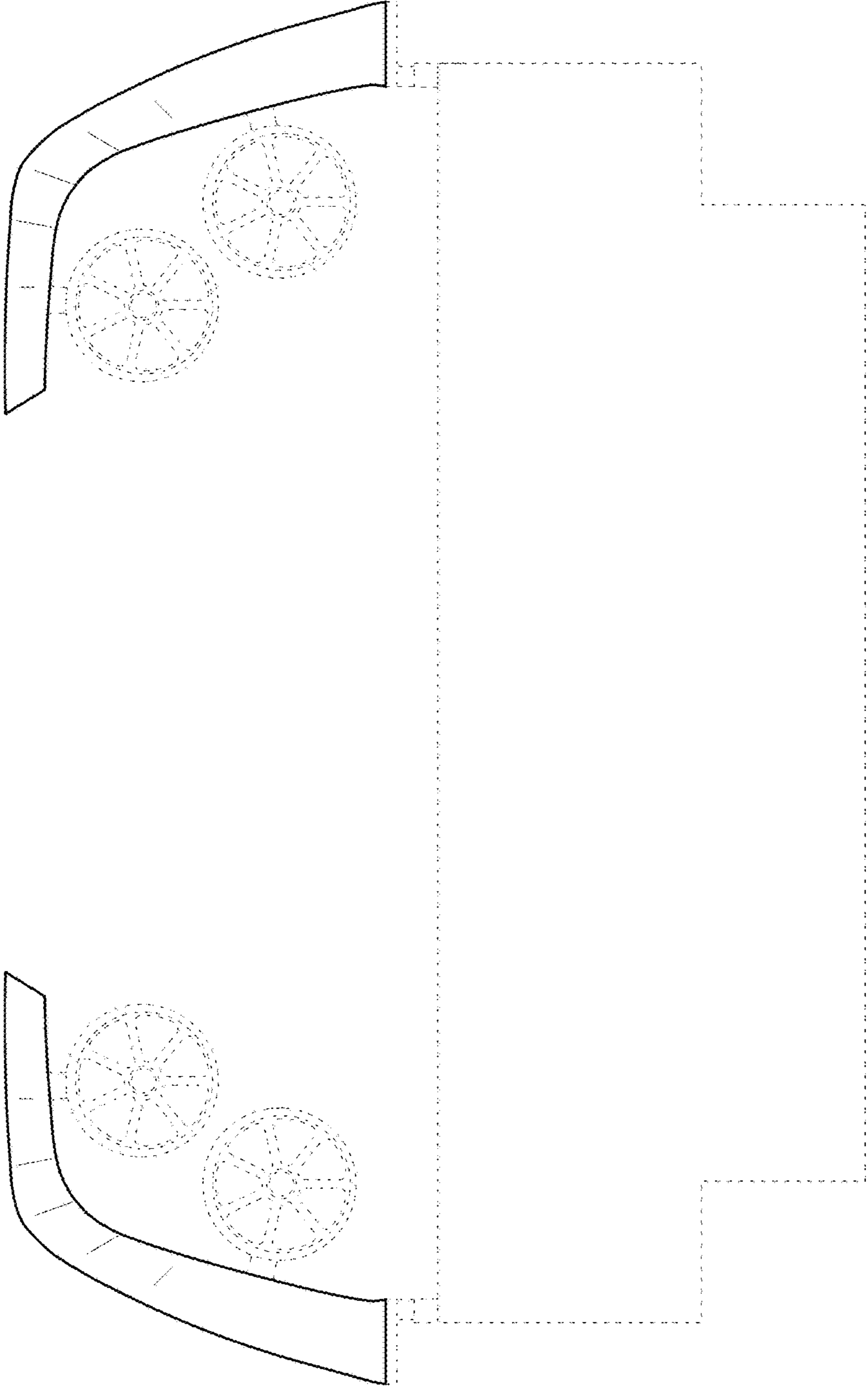


FIG. 9

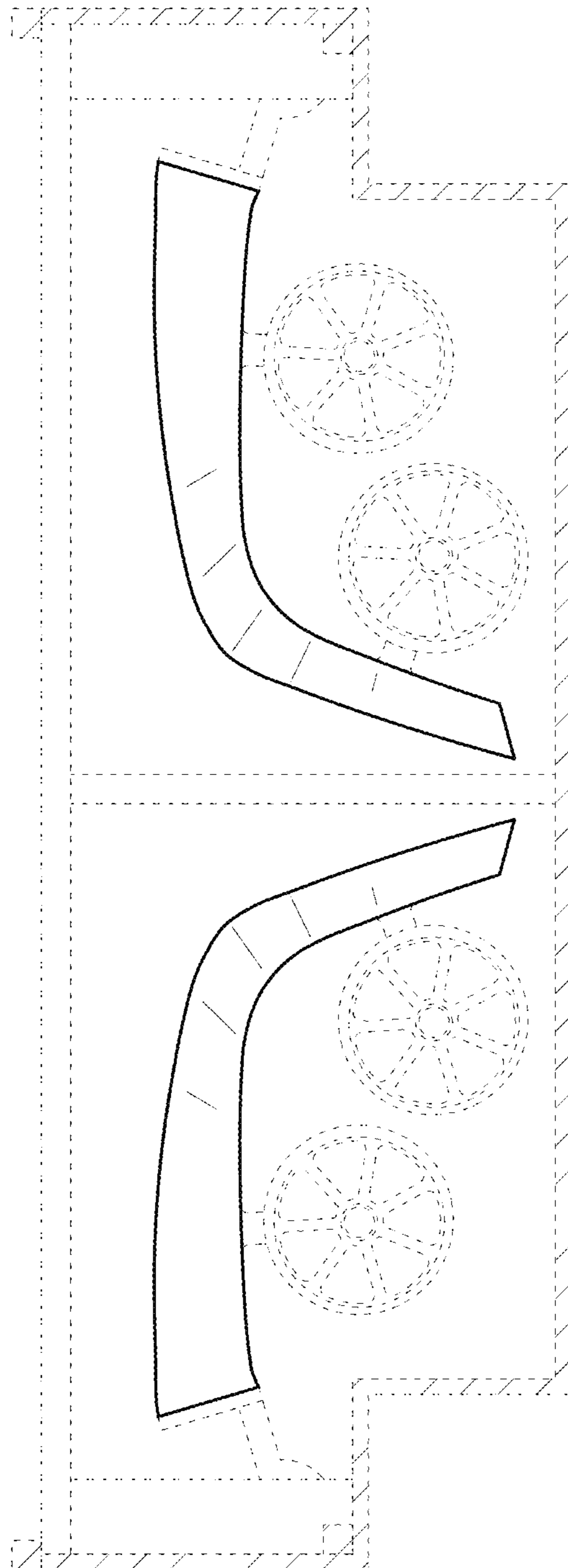


FIG. 10