



US00D803136S

(12) **United States Design Patent**
Platto et al.

(10) **Patent No.:** **US D803,136 S**

(45) **Date of Patent:** **** Nov. 21, 2017**

(54) **VEHICLE WHEEL**

(71) Applicant: **Ford Global Technologies, LLC**,
Dearborn, MI (US)

(72) Inventors: **Gordon M. Platto**, Troy, MI (US);
Sean W. Tant, Livonia, MI (US);
Anthony Meyer, Ferndale, MI (US)

(73) Assignee: **Ford Global Technologies, LLC**,
Dearborn, MI (US)

(**) Term: **15 Years**

(21) Appl. No.: **29/588,188**

(22) Filed: **Dec. 19, 2016**

(51) **LOC (10) Cl.** **12-16**

(52) **U.S. Cl.**
USPC **D12/211**

(58) **Field of Classification Search**
USPC D12/204–213
CPC B60B 7/00; B60B 7/02; B60B 7/04; B60B
7/01; B60B 7/06; B60B 3/02; B60B 3/04;
B60B 3/06; B60B 3/10; B60B 1/00;
B60B 1/08; B60B 1/10; B60B 1/12
See application file for complete search history.

(56) **References Cited**

U.S. PATENT DOCUMENTS

D446,493 S *	8/2001	Sulahian	D12/211
D486,115 S *	2/2004	Chung	D12/211
D498,725 S *	11/2004	Suciu	D12/211
D523,386 S *	6/2006	Khan	D12/209

D596,101 S	7/2009	Tant	
D612,790 S	3/2010	Tant	
D614,111 S	4/2010	Tant	
D614,113 S	4/2010	Tant	
D619,525 S *	7/2010	Patel D12/211
D633,027 S *	2/2011	Matei D12/211
D641,680 S *	7/2011	Laengerer D12/211
D656,450 S *	3/2012	Zhao D12/211
D668,195 S	10/2012	Tant	
D689,000 S *	9/2013	Platto D12/209
D704,119 S	5/2014	Platto	
D706,700 S *	6/2014	Platto D12/211
D708,108 S *	7/2014	Wheel D12/209
D708,111 S	7/2014	Platto	
D709,815 S *	7/2014	Butterworth D12/209
D713,314 S	9/2014	Platto	
D715,208 S *	10/2014	Grake D12/204
D716,213 S *	10/2014	Zhang D12/211
D720,676 S *	1/2015	Caswell D12/209
D725,571 S *	3/2015	Kobayashi D12/211
D736,134 S	8/2015	Platto	
D740,198 S *	10/2015	Barnes D12/211
D752,498 S *	3/2016	Zhao D12/211
D775,047 S *	12/2016	Wheel D12/211

* cited by examiner

Primary Examiner — Stacia Cadmus

(74) *Attorney, Agent, or Firm* — James Dottavio

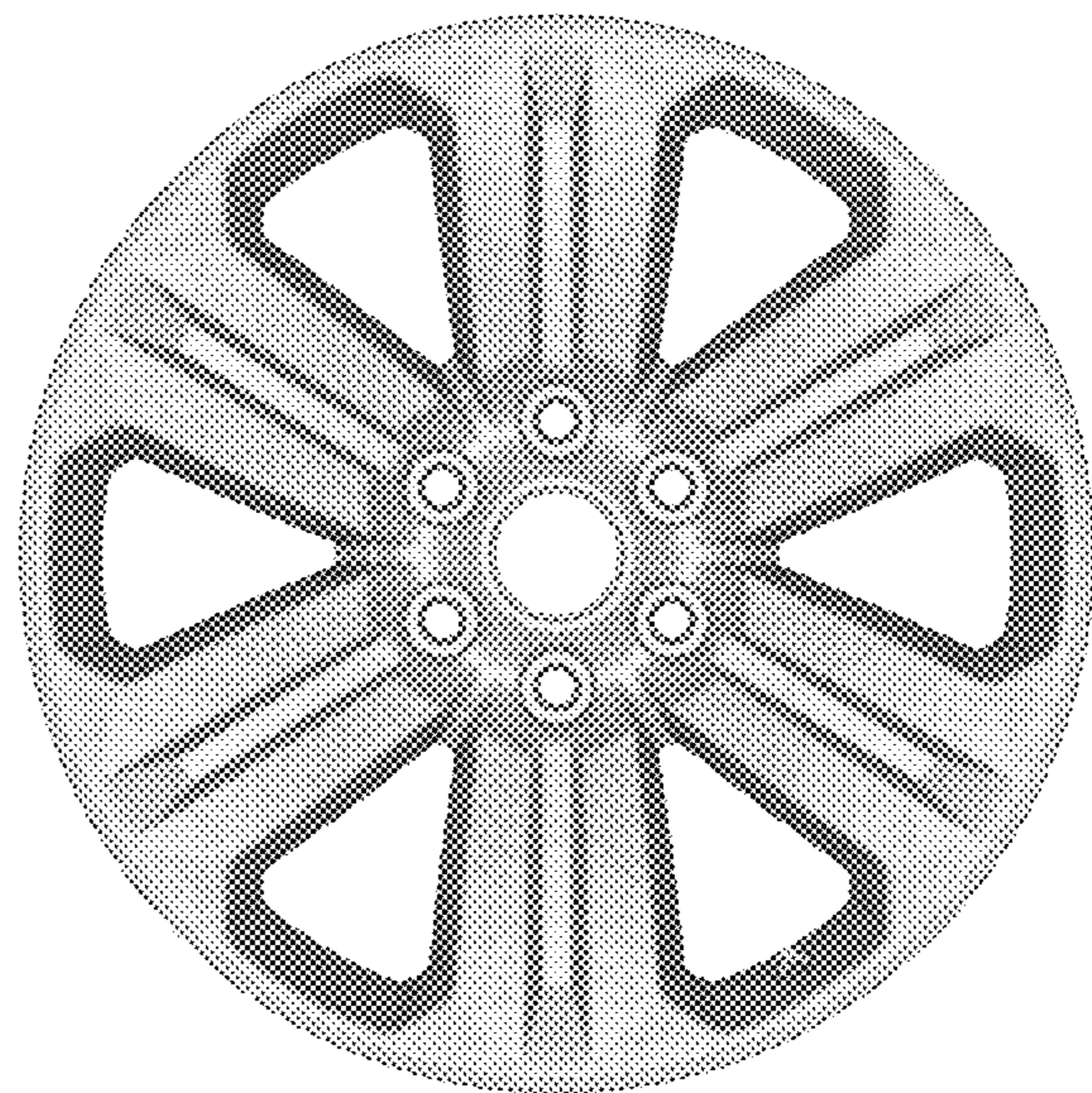
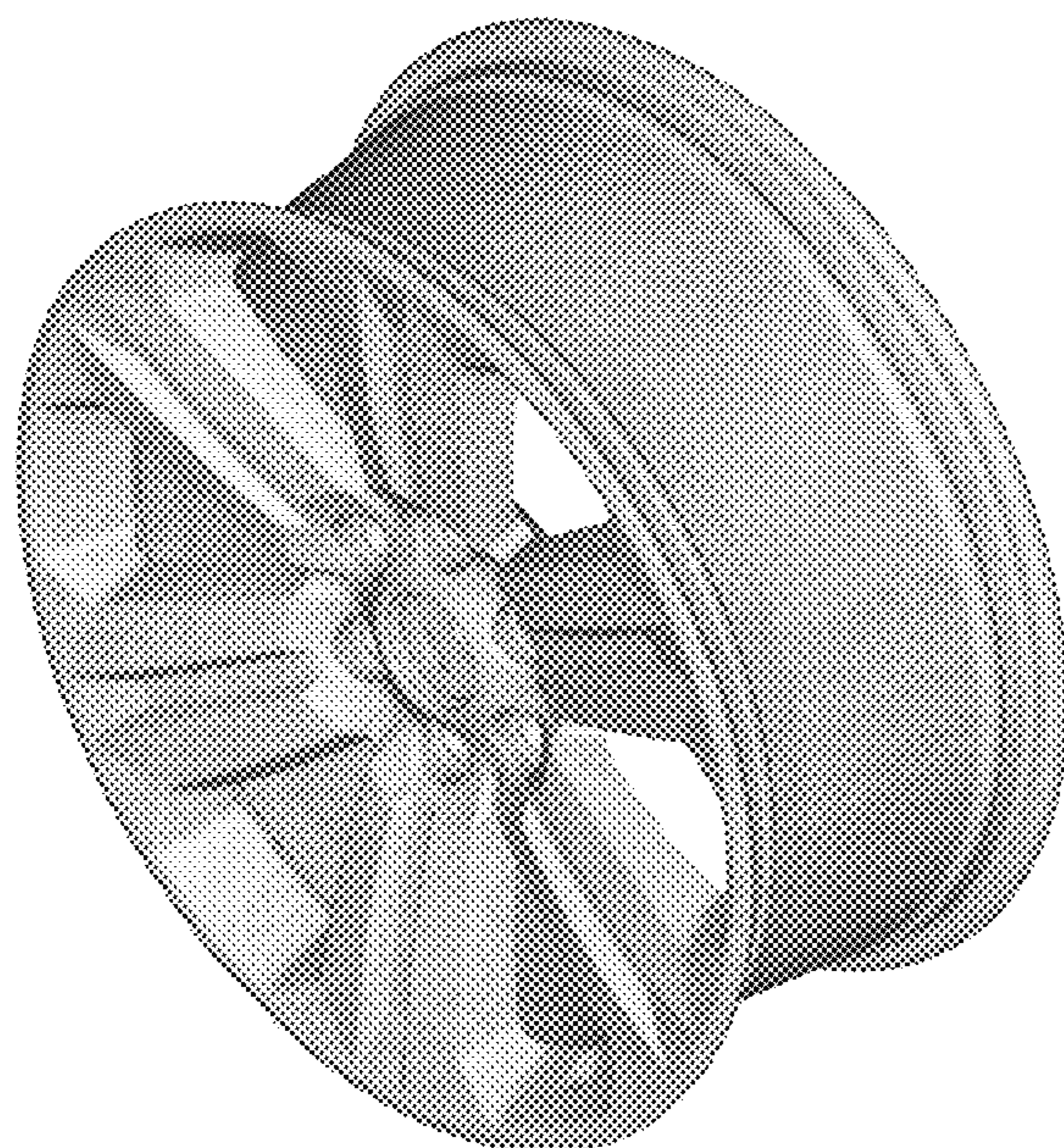
(57) **CLAIM**

The ornamental design for a vehicle wheel, as shown.

DESCRIPTION

FIG. 1 is a top perspective view of a vehicle wheel showing our new design; and, FIG. 2 is a front elevational view thereof.

1 Claim, 2 Drawing Sheets



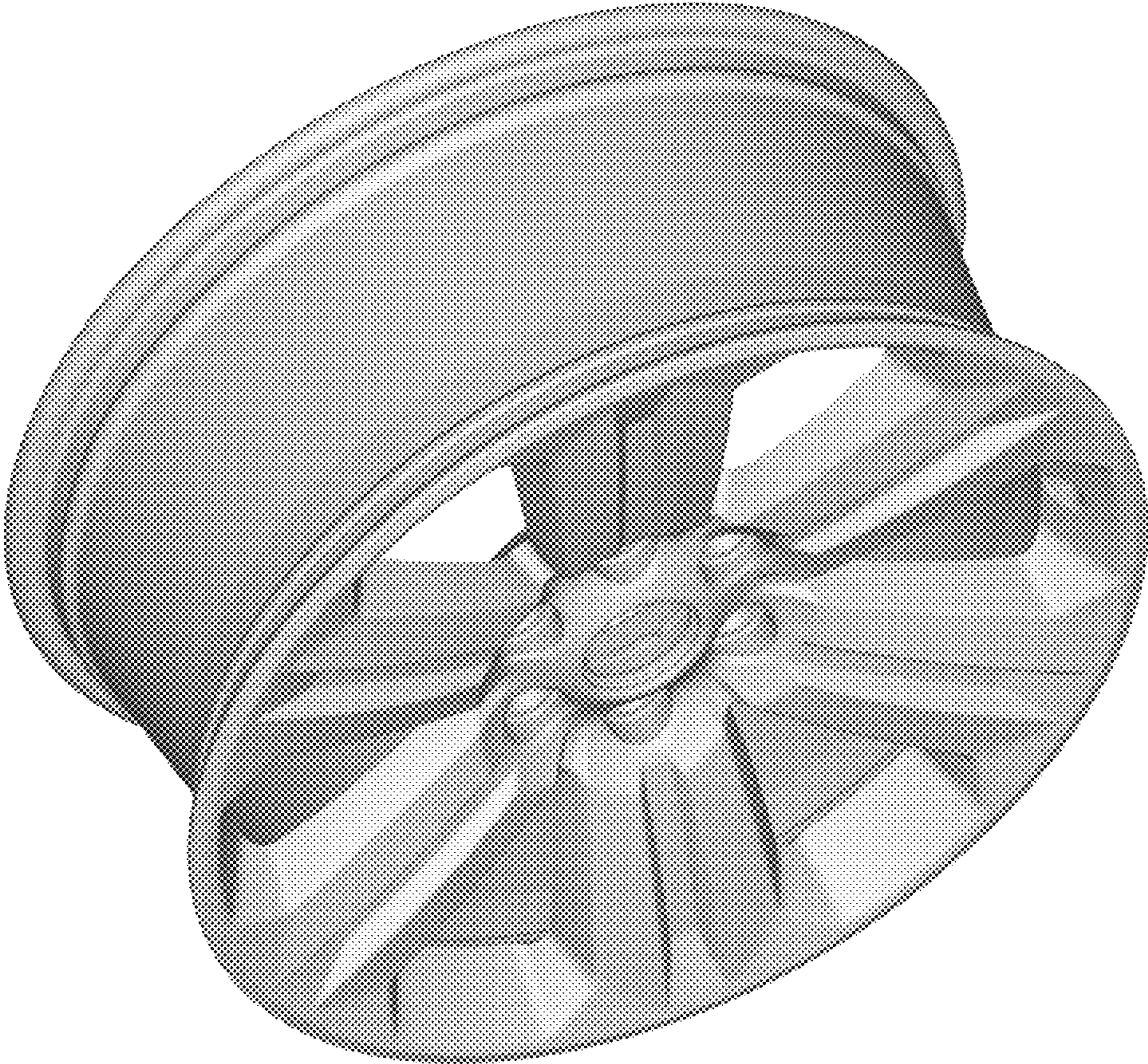


Fig. 1



Fig. 2