



US00D803135S

(12) **United States Design Patent** (10) **Patent No.:** **US D803,135 S**
Bucher et al. (45) **Date of Patent:** **** Nov. 21, 2017**

(54) **VEHICLE WHEEL**

(71) Applicant: **Ford Global Technologies, LLC**,
Dearborn, MI (US)

(72) Inventors: **George Bucher**, Dearborn, MI (US);
Dean Carbis, Bloomfield Hills, MI (US); **Shawn Yu**, Canton, MI (US)

(73) Assignee: **Ford Global Technologies, LLC**,
Dearborn, MI (US)

(**) Term: **15 Years**

(21) Appl. No.: **29/583,167**

(22) Filed: **Nov. 2, 2016**

(51) **LOC (10) Cl.** **12-16**

(52) **U.S. Cl.**
USPC **D12/209**

(58) **Field of Classification Search**
USPC D12/204–213
CPC B60B 7/00; B60B 7/02; B60B 7/04; B60B 7/01;
B60B 7/06; B60B 3/02; B60B 3/04; B60B 3/06;
B60B 3/10; B60B 1/00; B60B 1/08; B60B 1/10; B60B 1/12
See application file for complete search history.

(56) **References Cited**

U.S. PATENT DOCUMENTS

D453,134 S *	1/2002	Murkett	D12/209
D491,124 S *	6/2004	Rice	D12/209
D491,873 S *	6/2004	Markefka	D12/211
D560,585 S *	1/2008	Blasi	D12/209
D576,936 S *	9/2008	Imai	D12/209
D593,018 S *	5/2009	Juergens	D12/209
D614,107 S *	4/2010	Juergens	D12/209
D617,710 S *	6/2010	Ectors	D12/209
D617,712 S *	6/2010	Juergens	D12/209

D664,081 S *	7/2012	Muller	D12/209
D709,426 S *	7/2014	Kong	D12/209
D766,153 S *	9/2016	Wheel	D12/209
D783,489 S *	4/2017	Bucher	D12/209
D783,490 S *	4/2017	Bucher	D12/209
D785,534 S *	5/2017	Giolito	D12/209
D791,036 S *	7/2017	Owens	D12/209
D792,308 S *	7/2017	Guo	D12/209

OTHER PUBLICATIONS

Brad Anderson <http://www.carscoops.com/2016/02/ford-ecosport-tipped-to-reach-us-shores.html> Ford EcoSport Tipped To Reach US Shores, dated Feb. 13, 2016.

Unknown <http://www.2017suv.net/2018-ford-ecosport-release-2017-in-usa/> 2018 Ford EcoSport Release 2017 in USA dated Feb. 20, 2016.

Brandon Turkus <http://www.autoblog.com/2016/04/25/ford-ecosport-spy-shots-us/> Ford EcoSport spotted in US with Escape-inspired face dated Apr. 25, 2016.

Unknown <http://www.oncars.in/car-news/spoted-2017-ford-ecosport-reveals-front-facia-india-launch-by-next-year/10372> Spotted: 2017 Ford EcoSport reveals front facia; India launch by next year dated Apr. 28, 2016.

* cited by examiner

Primary Examiner — Stacia Cadmus

(74) *Attorney, Agent, or Firm* — James Dottavio

(57) **CLAIM**

The ornamental design for a vehicle wheel, as shown and described.

DESCRIPTION

FIG. 1 is a top perspective view of a vehicle wheel showing our new design; and, FIG. 2 is a front elevational view thereof.

1 Claim, 2 Drawing Sheets

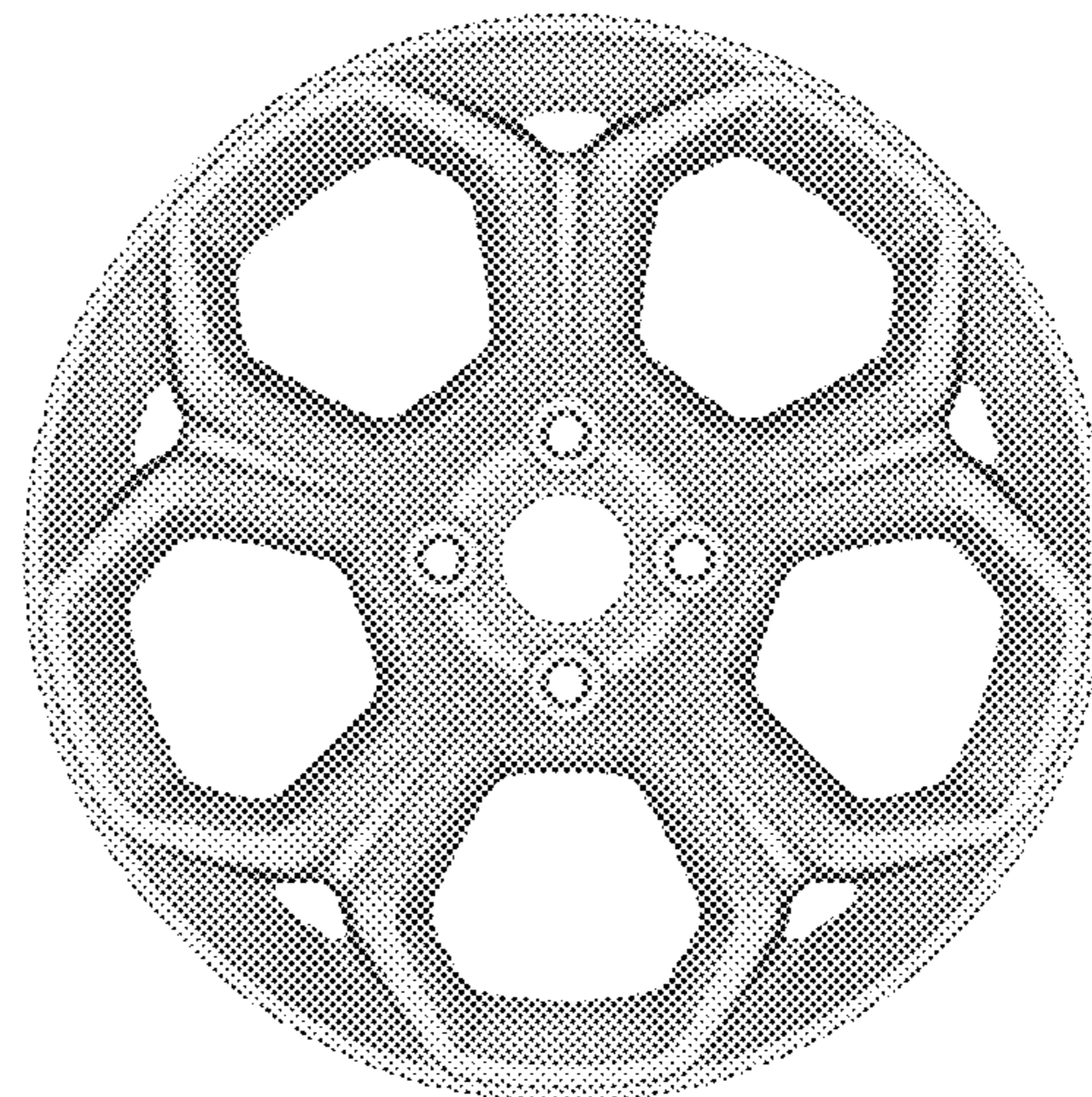
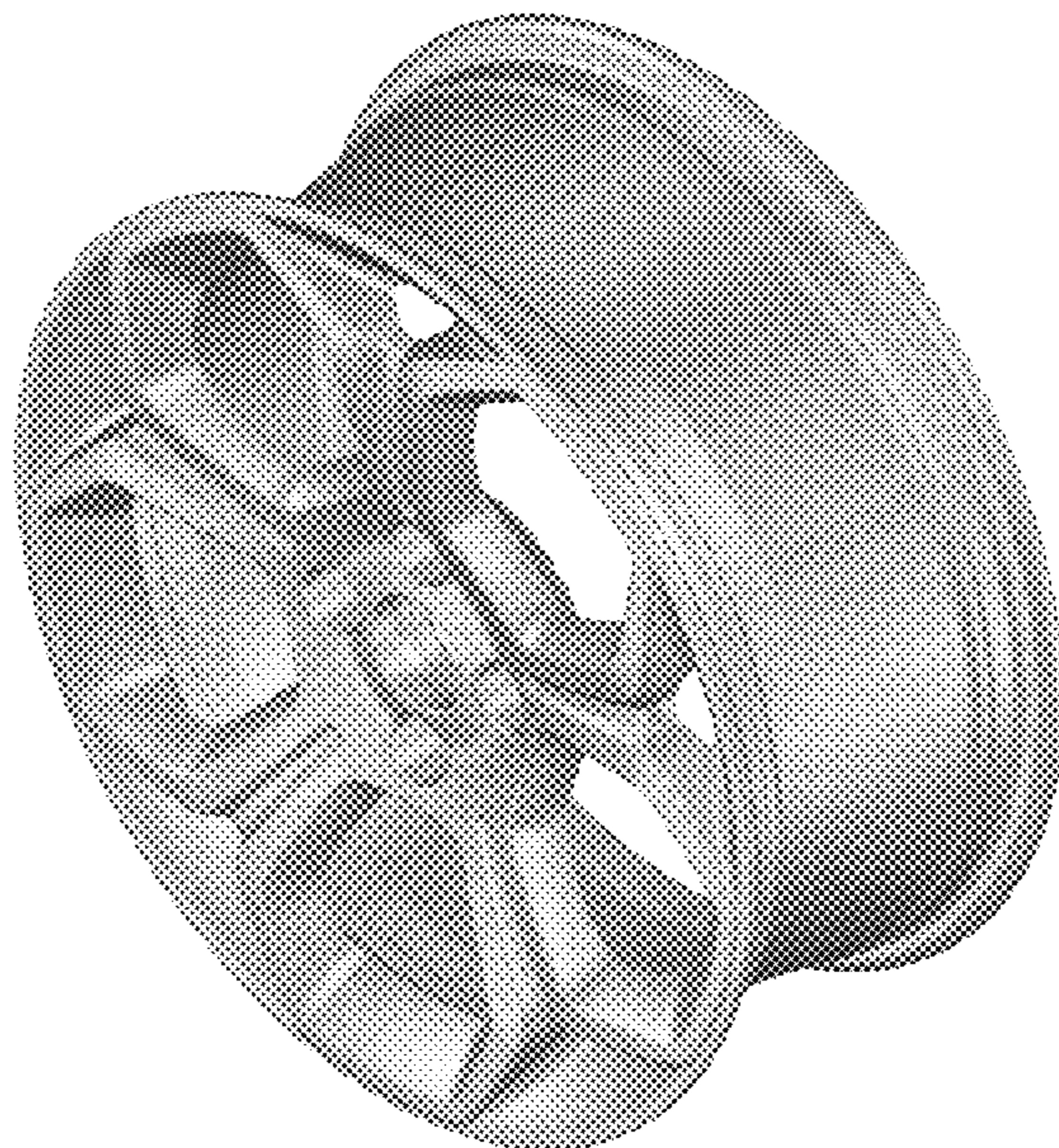




Figure 1

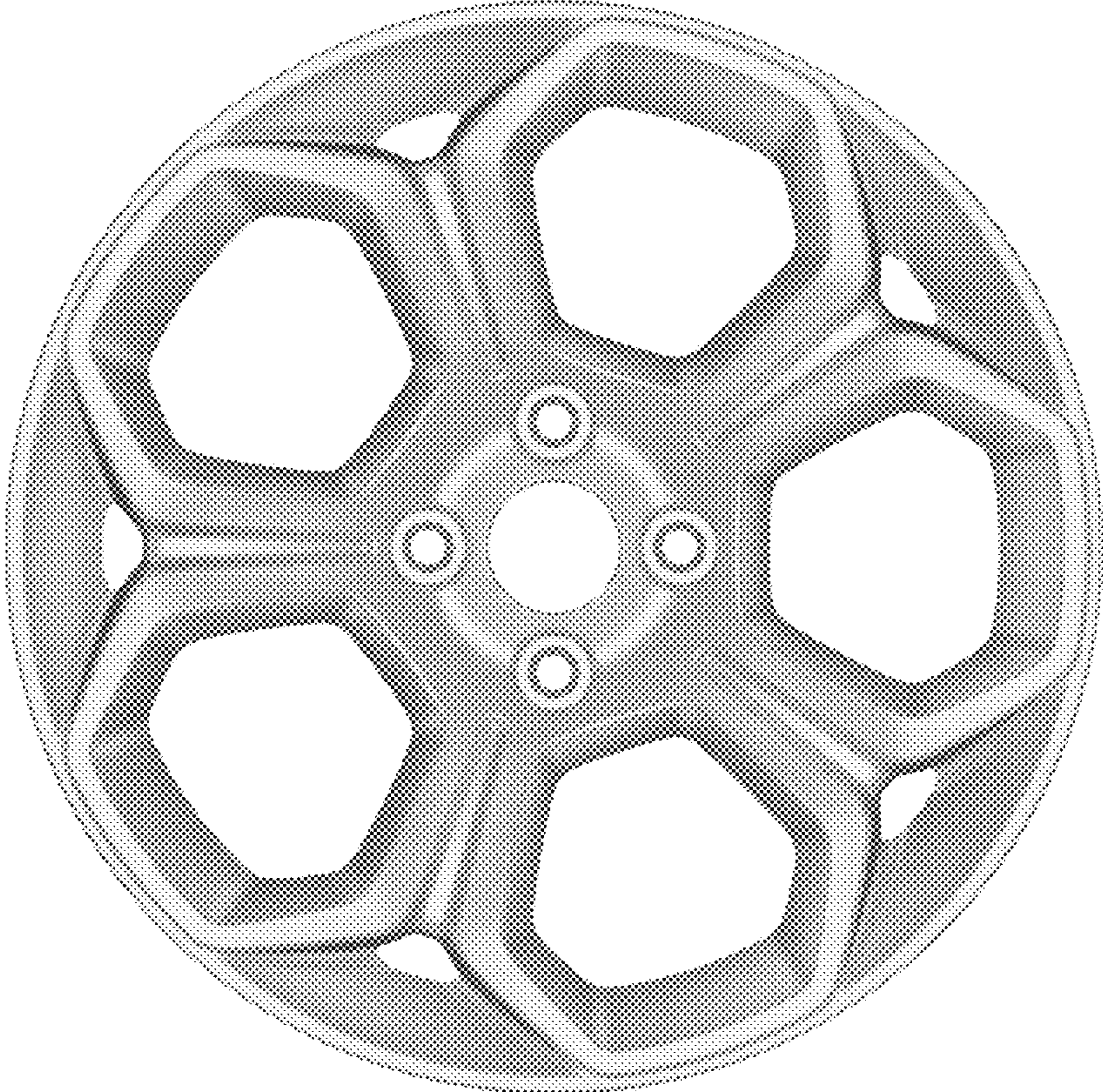


Figure 2