



US00D803133S

(12) **United States Design Patent** (10) **Patent No.:** **US D803,133 S**  
**Bucher et al.** (45) **Date of Patent:** **\*\* Nov. 21, 2017**

(54) **VEHICLE WHEEL**  
(71) Applicant: **Ford Global Technologies, LLC**,  
Dearborn, MI (US)  
(72) Inventors: **George Bucher**, Dearborn, MI (US);  
**Dean Carbis**, Bloomfield Hills, MI  
(US); **Jesse Diephuis**, West Bloomfield,  
MI (US)  
(73) Assignee: **Ford Global Technologies, LLC**,  
Dearborn, MI (US)  
(\*\*) Term: **15 Years**  
(21) Appl. No.: **29/583,124**  
(22) Filed: **Nov. 2, 2016**  
(51) **LOC (10) Cl.** ..... **12-16**  
(52) **U.S. Cl.**  
USPC ..... **D12/209**  
(58) **Field of Classification Search**  
USPC ..... D12/204–213  
CPC .... B60B 7/00; B60B 7/02; B60B 7/04; B60B  
7/01; B60B 7/06; B60B 3/02; B60B 3/04;  
B60B 3/06; B60B 3/10; B60B 1/00;  
B60B 1/08; B60B 1/10; B60B 1/12  
See application file for complete search history.

D659,065 S \* 5/2012 Johnson ..... D12/209  
D683,295 S \* 5/2013 Pollmann ..... D12/209  
D692,816 S \* 11/2013 Zhang ..... D12/209  
D696,616 S \* 12/2013 Gueler ..... D12/209  
D704,117 S \* 5/2014 Chung ..... D12/209  
D736,130 S \* 8/2015 Wheel ..... D12/209  
D740,198 S \* 10/2015 Barnes ..... D12/211  
D751,481 S \* 3/2016 Chung ..... D12/209  
D782,951 S \* 4/2017 Bjerke ..... D12/209  
D789,269 S \* 6/2017 Krause ..... D12/209

**OTHER PUBLICATIONS**

Brad Anderson <http://www.carscoops.com/2016/02/ford-ecosport-tipped-to-reach-us-shores.html> Ford EcoSport Tipped To Reach US Shores, dated Feb. 13, 2016.  
Unknown <http://www.2017suv.net/2018-ford-ecosport-release-2017-in-usa/> 2018 Ford EcoSport Release 2017 in USA dated Feb. 20, 2016.  
Brandon Turkus <http://www.autoblog.com/2016/04/25/ford-ecosport-spy-shots-us/> Ford EcoSport spotted in US with Escape-inspired face dated Apr. 25, 2016.  
Unknown <http://www.oncars.in/car-news/spoted-2017-ford-ecosport-reveals-front-facia-india-launch-by-next-year/10372> Spotted: 2017 Ford EcoSport reveals front facia; India launch by next year dated Apr. 28, 2016.

\* cited by examiner

*Primary Examiner* — Stacia Cadmus  
(74) *Attorney, Agent, or Firm* — James Dottavio

(56) **References Cited**

**U.S. PATENT DOCUMENTS**

D479,177 S \* 9/2003 Nordmann ..... D12/211  
D504,102 S \* 4/2005 Cheng ..... D12/211  
D515,494 S \* 2/2006 Laengerer ..... D12/211  
D536,655 S \* 2/2007 Kim ..... D12/211  
D538,730 S \* 3/2007 Thurner ..... D12/209  
D604,683 S \* 11/2009 Hosai ..... D12/209  
D623,109 S \* 9/2010 Markefka ..... D12/209  
D641,677 S \* 7/2011 Weil ..... D12/209  
D641,680 S \* 7/2011 Laengerer ..... D12/211  
D644,586 S \* 9/2011 Baum ..... D12/209

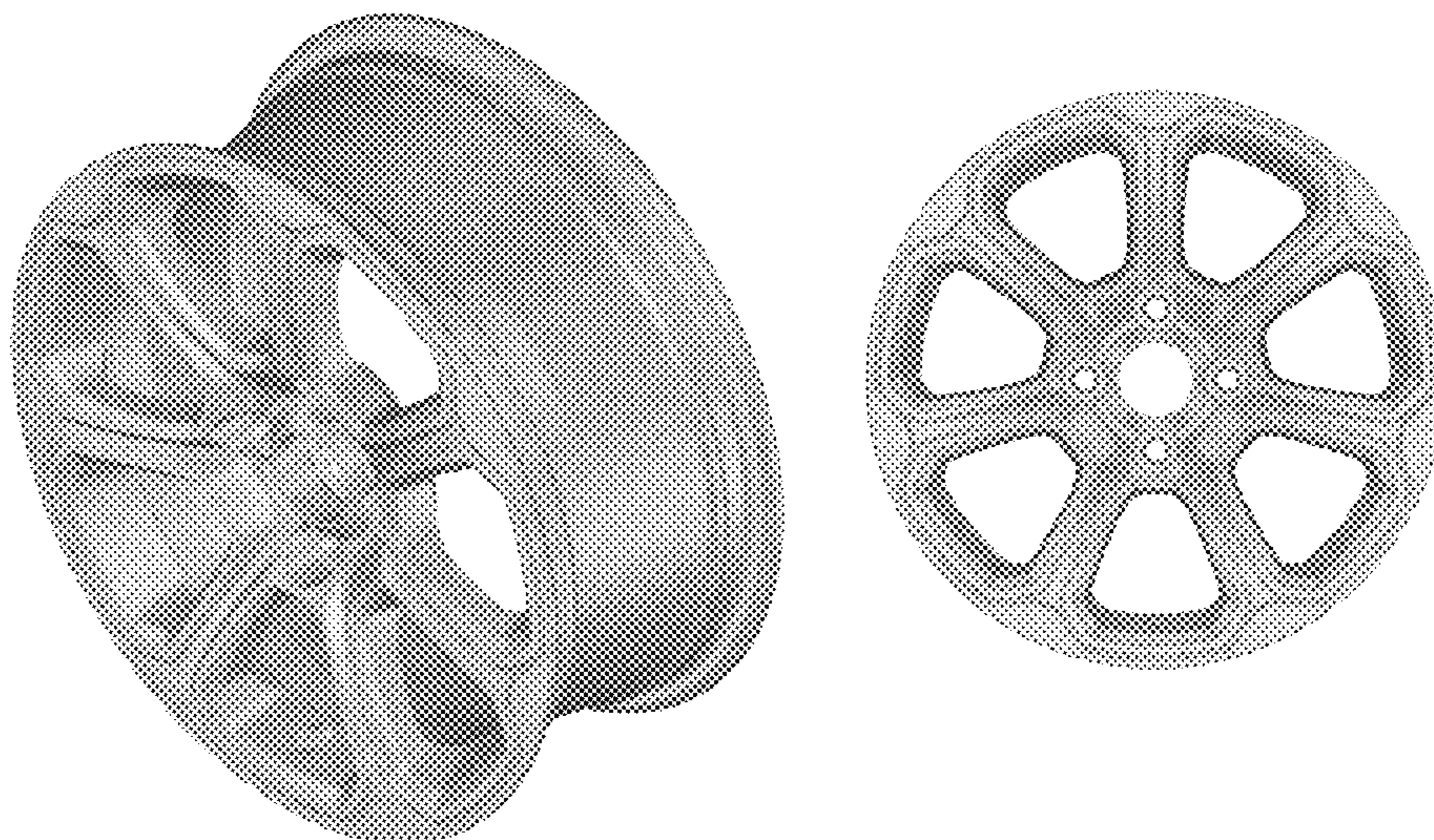
(57) **CLAIM**

The ornamental design for a vehicle wheel, as shown and described.

**DESCRIPTION**

FIG. 1 is a top perspective view of a vehicle wheel showing our new design; and, FIG. 2 is a front elevational view thereof.

**1 Claim, 2 Drawing Sheets**



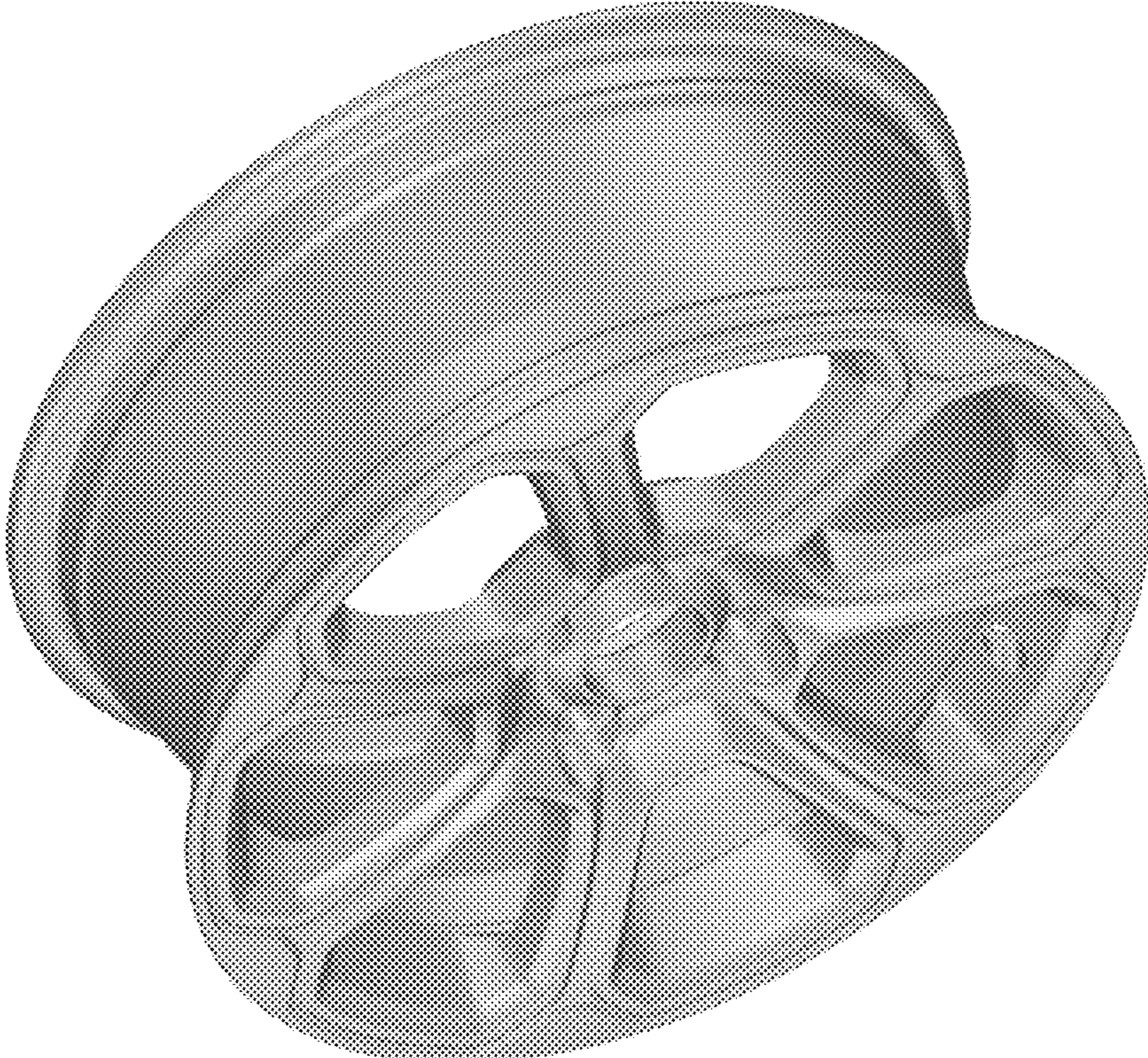


Figure 1

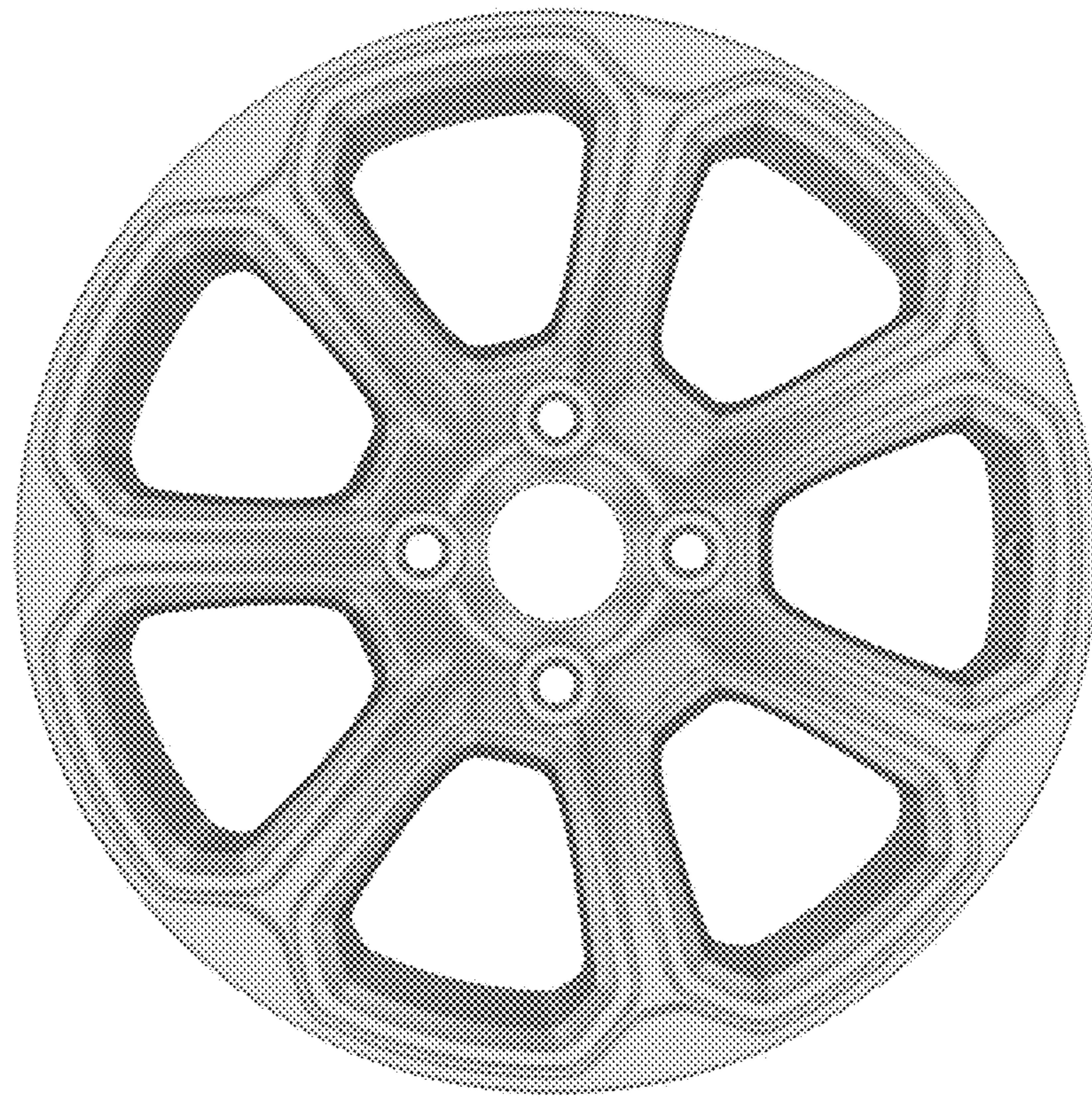


Figure 2