



US00D803132S

(12) **United States Design Patent**
Okaji

(10) **Patent No.:** **US D803,132 S**

(45) **Date of Patent:** **** Nov. 21, 2017**

(54) **WHEEL FOR AUTOMOBILE**

(71) Applicant: **HONDA MOTOR CO., LTD.**, Tokyo (JP)

(72) Inventor: **Tomohito Okaji**, Wako (JP)

(73) Assignee: **HONDA MOTOR CO., LTD.**, Tokyo (JP)

(**) Term: **15 Years**

(21) Appl. No.: **29/580,243**

(22) Filed: **Oct. 6, 2016**

(30) **Foreign Application Priority Data**

Apr. 12, 2016 (JP) 2016-008095

(51) **LOC (10) Cl.** **12-16**

(52) **U.S. Cl.**
USPC **D12/209**

(58) **Field of Classification Search**
USPC D12/204–213
CPC B60B 7/00; B60B 7/02; B60B 7/04; B60B 7/01; B60B 7/06; B60B 3/02; B60B 3/04; B60B 3/06; B60B 3/10; B60B 1/00; B60B 1/08; B60B 1/10; B60B 1/12
See application file for complete search history.

(56) **References Cited**

U.S. PATENT DOCUMENTS

D435,004 S * 12/2000 Noriega D12/209
D669,833 S * 10/2012 Pollmann D12/209

D671,475 S *	11/2012	Juergens	D12/209
D682,761 S *	5/2013	Pollmann	D12/209
D683,681 S *	6/2013	Juergens	D12/209
D685,709 S *	7/2013	Hanaoka	D12/209
D695,186 S *	12/2013	Pollmann	D12/209
D706,194 S *	6/2014	Hanaoka	D12/209
D709,427 S *	7/2014	Clottu	D12/209
D726,086 S *	4/2015	Muntada Roura	D12/209
D761,711 S *	7/2016	Wolff	D12/209
D762,543 S *	8/2016	Hara	D12/209
D763,158 S *	8/2016	Hara	D12/209
D781,200 S *	3/2017	Back	D12/209
D782,953 S *	4/2017	Imazato	D12/209
D788,003 S *	5/2017	Conforzi	D12/209
D791,668 S *	7/2017	Murase	D12/209
D792,306 S *	7/2017	Ishigaki	D12/209

* cited by examiner

Primary Examiner — Stacia Cadmus

(74) *Attorney, Agent, or Firm* — Westerman, Hattori, Daniels & Adrian, LLP

(57) **CLAIM**

The ornamental design for a wheel for automobile, as shown and described.

DESCRIPTION

FIG. 1 is a perspective view from the front side of a wheel for automobile; and, FIG. 2 is a front elevation view thereof. The broken lines in the drawings illustrate portions of the wheel for automobile that forms no part of the claimed design.

1 Claim, 2 Drawing Sheets

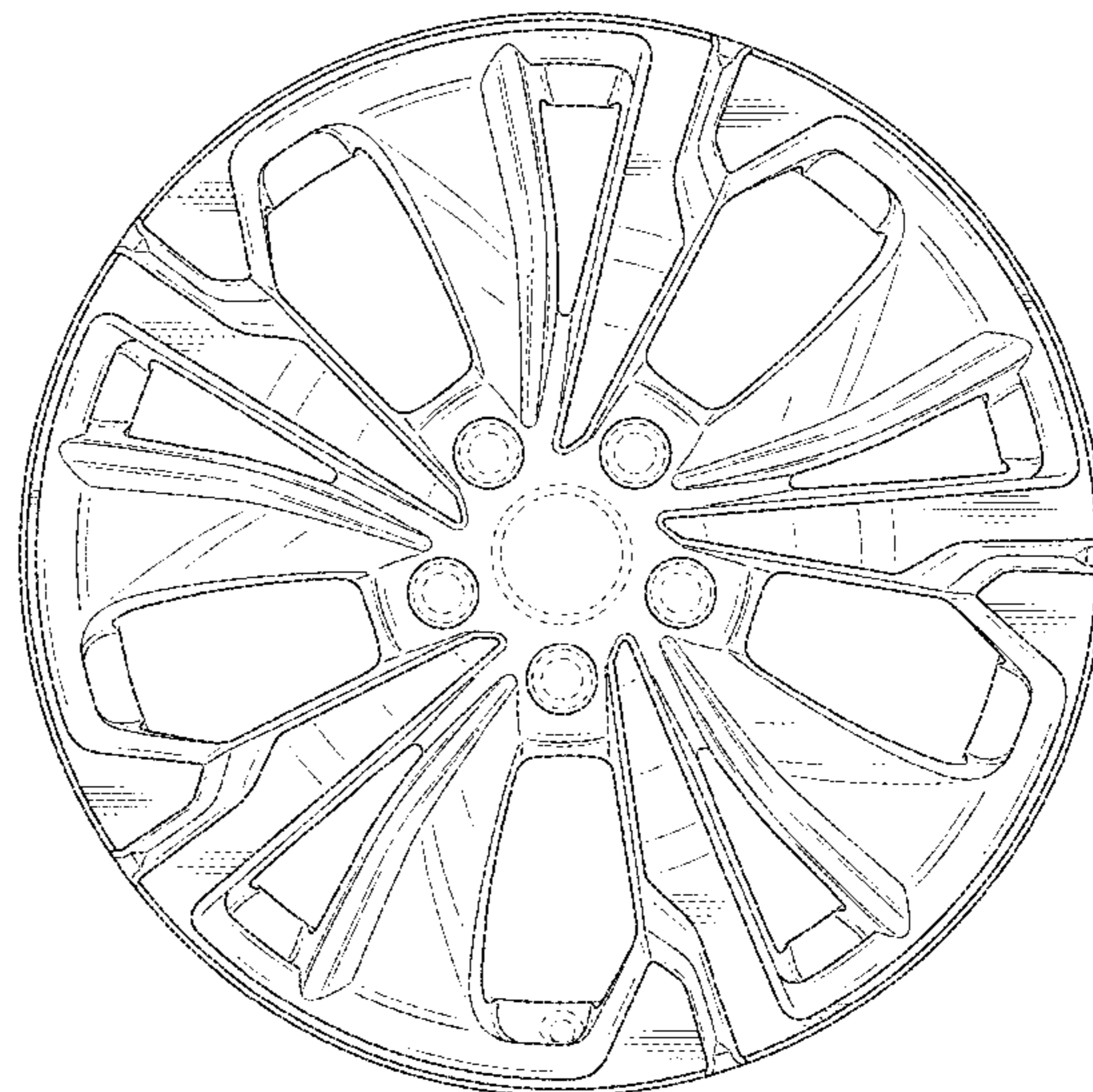
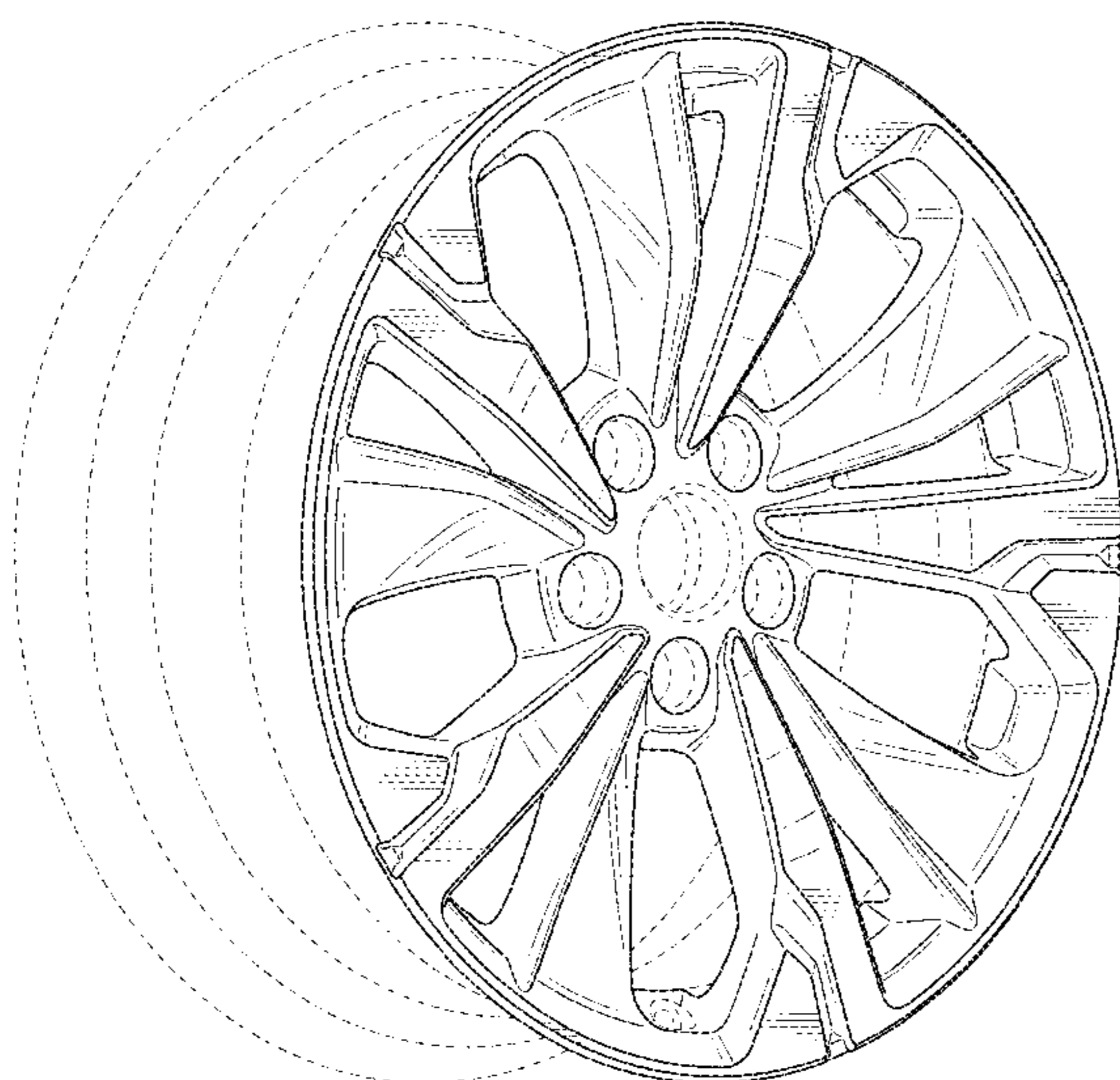


FIG. 1

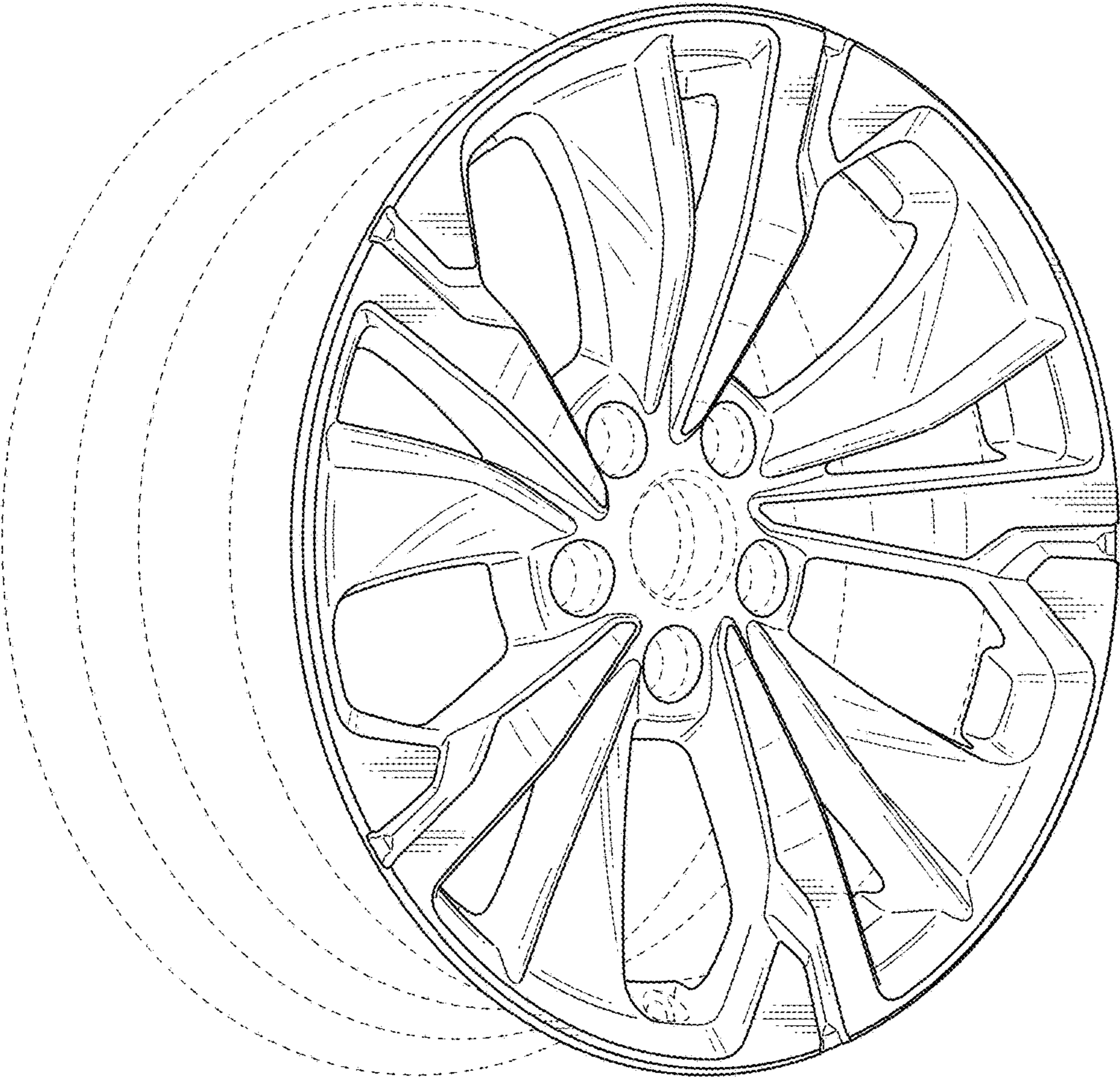


FIG. 2

