



US00D803131S

(12) **United States Design Patent**  
**Bridan**

(10) **Patent No.:** **US D803,131 S**

(45) **Date of Patent:** **\*\* Nov. 21, 2017**

(54) **WHEEL FOR AUTOMOBILE**

(71) Applicant: **HONDA MOTOR CO., LTD.**, Tokyo (JP)

(72) Inventor: **Iliya Bridan**, Raymond, OH (US)

(73) Assignee: **HONDA MOTOR CO., LTD.**, Tokyo (JP)

(\*\*) Term: **15 Years**

(21) Appl. No.: **29/580,222**

(22) Filed: **Oct. 6, 2016**

(30) **Foreign Application Priority Data**

Apr. 12, 2016 (JP) ..... 2016-008088

(51) **LOC (10) Cl.** ..... **12-16**

(52) **U.S. Cl.**  
USPC ..... **D12/209**

(58) **Field of Classification Search**

USPC ..... D12/204-213; D21/563

CPC .... B60B 7/00; B60B 7/02; B60B 7/04; B60B 7/01; B60B 7/06; B60B 3/02; B60B 3/04; B60B 3/06; B60B 3/10; B60B 1/00; B60B 1/08; B60B 1/10; B60B 1/12

See application file for complete search history.

(56) **References Cited**

**U.S. PATENT DOCUMENTS**

D389,447 S \* 1/1998 Chrysanto ..... D12/209  
D408,003 S \* 4/1999 Sacco ..... D12/209

D415,093 S \* 10/1999 Noriega ..... D12/209  
D420,638 S \* 2/2000 Herrera ..... D12/209  
D427,557 S \* 7/2000 Chung ..... D12/209  
D438,160 S \* 2/2001 Fitzgerald ..... D12/209  
D440,933 S \* 4/2001 Vian ..... D12/209  
D441,338 S \* 5/2001 Hussaini ..... D12/209  
D453,913 S \* 2/2002 Minamisawa ..... D12/209  
D498,194 S \* 11/2004 Aquino ..... D12/209  
D558,116 S \* 12/2007 Martin ..... D12/209  
D652,361 S \* 1/2012 Forschner ..... D12/209  
D683,680 S \* 6/2013 Kito ..... D12/204  
D700,668 S \* 3/2014 Flick ..... D12/209  
D731,386 S \* 6/2015 Ferrett ..... D12/209  
D769,165 S \* 10/2016 Choi ..... D12/209  
D791,046 S \* 7/2017 Ishii ..... D12/209

\* cited by examiner

*Primary Examiner* — Stacia Cadmus

(74) *Attorney, Agent, or Firm* — Westerman, Hattori, Daniels & Adrian, LLP

(57) **CLAIM**

The ornamental design for a wheel for automobile, as shown and described.

**DESCRIPTION**

FIG. 1 is a perspective view from a front side of a wheel for automobile; and, FIG. 2 is a front elevation view thereof. The broken lines shown in the drawings illustrate portions of the wheel for automobile that form no part of claimed design.

**1 Claim, 2 Drawing Sheets**

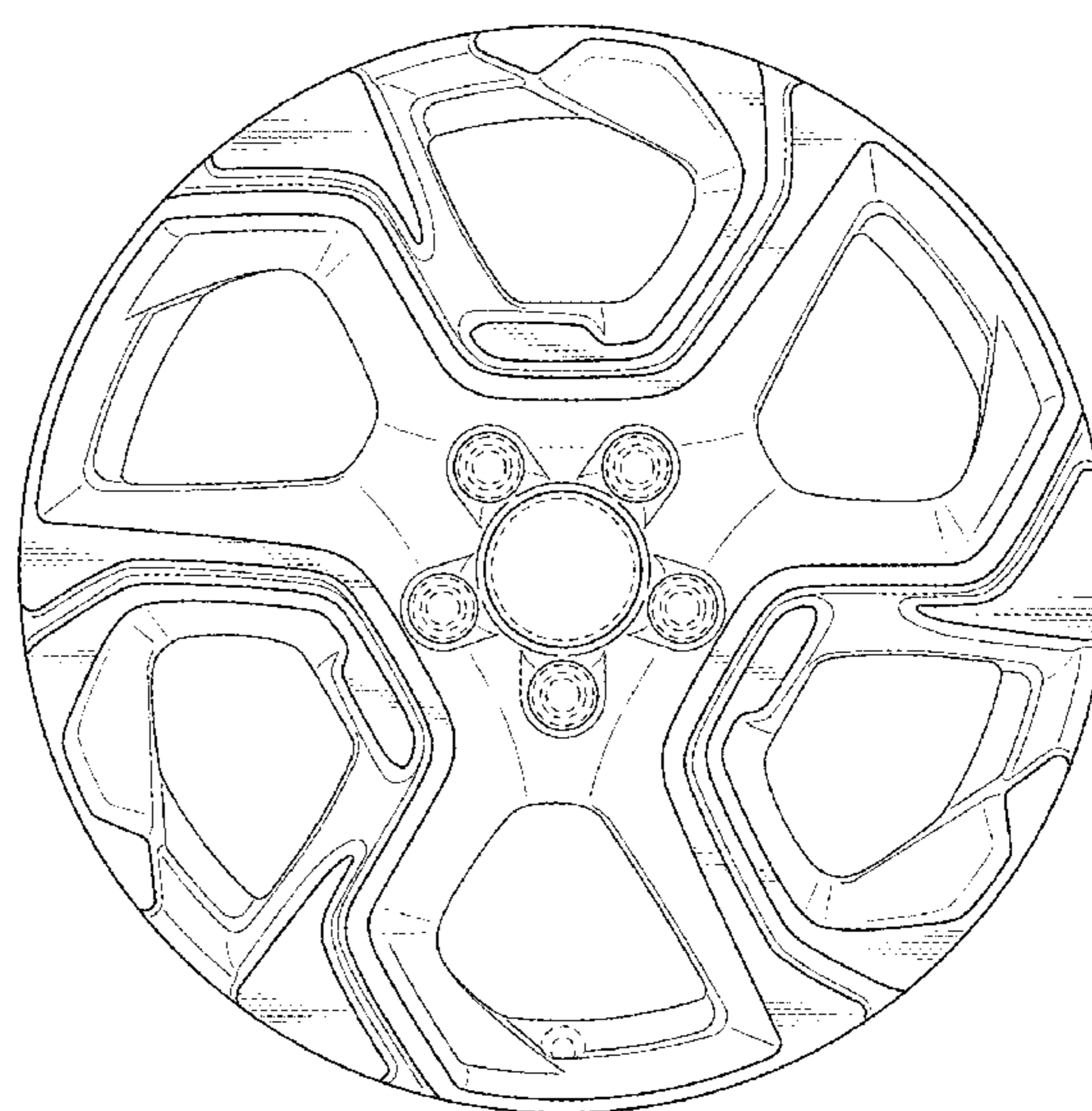
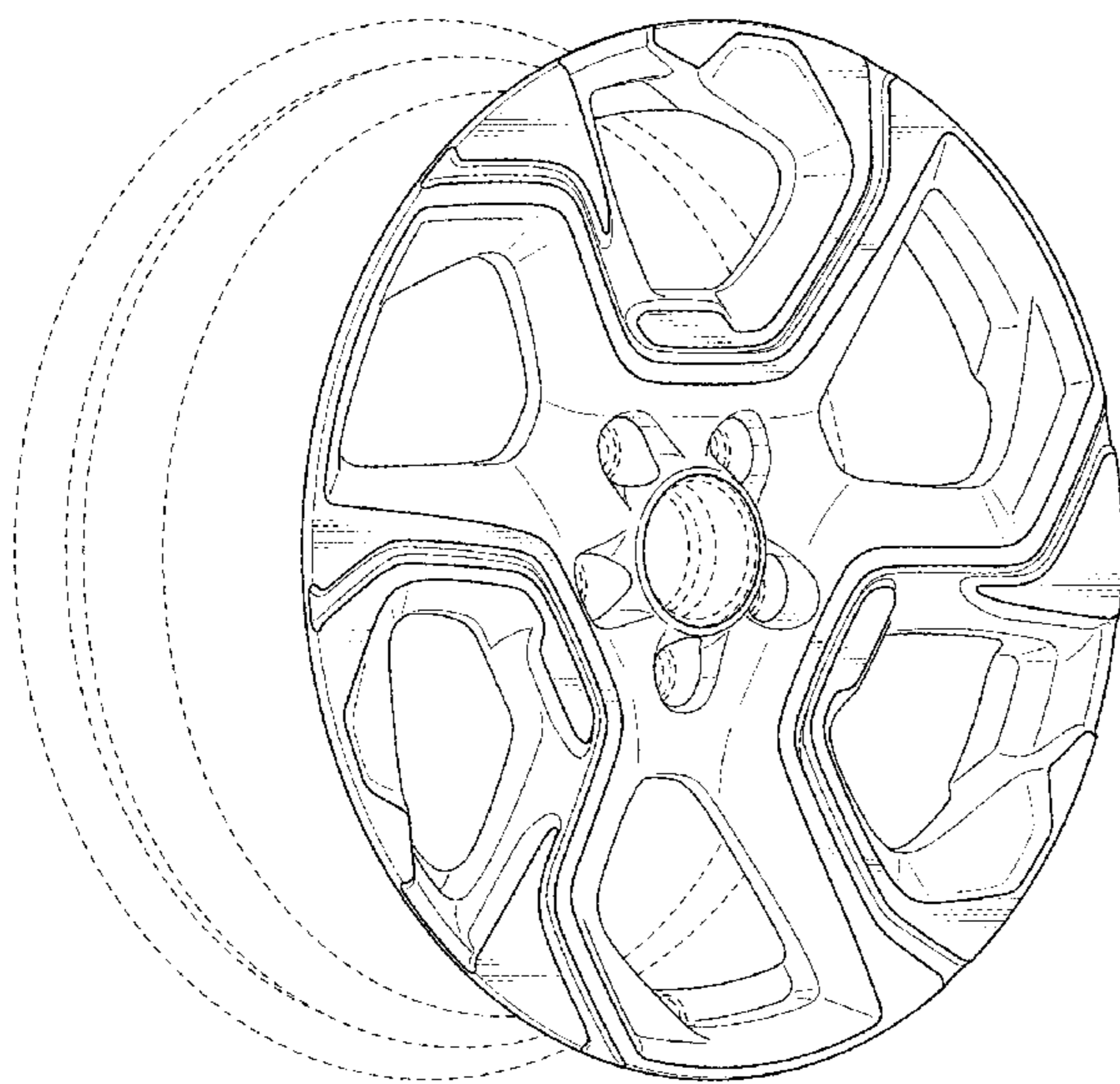


FIG. 1

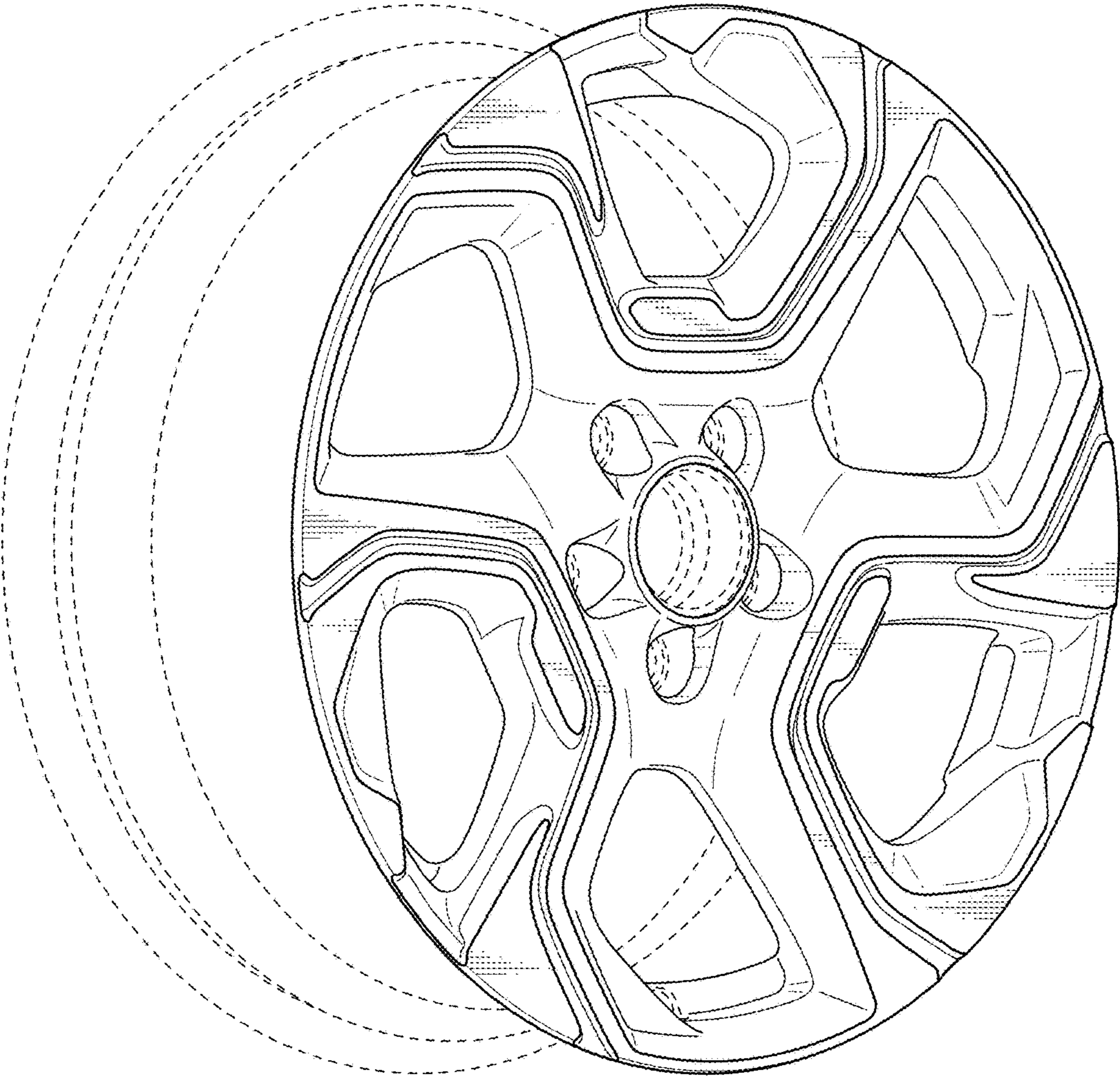


FIG. 2

