



US00D803130S

(12) **United States Design Patent**
Taylor

(10) **Patent No.:** **US D803,130 S**

(45) **Date of Patent:** **** Nov. 21, 2017**

(54) **WHEEL**

(71) Applicant: **Fredrick Taylor**, Rome, GA (US)

(72) Inventor: **Fredrick Taylor**, Rome, GA (US)

(**) Term: **15 Years**

(21) Appl. No.: **29/558,382**

(22) Filed: **Mar. 17, 2016**

(51) **LOC (10) Cl.** **12-16**

(52) **U.S. Cl.**
USPC **D12/209**

(58) **Field of Classification Search**
USPC D12/204–213
CPC B60B 7/00; B60B 7/02; B60B 7/04; B60B
7/01; B60B 7/06; B60B 3/02; B60B 3/04;
B60B 3/06; B60B 3/10; B60B 1/00;
B60B 1/08; B60B 1/10; B60B 1/12
See application file for complete search history.

(56) **References Cited**

U.S. PATENT DOCUMENTS

D680,047 S * 4/2013 Hale, Jr. D12/209
D695,182 S * 12/2013 Chung D12/209

D695,666 S * 12/2013 Chung D12/209
D714,202 S * 9/2014 Kim D12/209
D715,211 S * 10/2014 Gotschke D12/204
D719,889 S * 12/2014 Hodges D12/209
D751,484 S * 3/2016 Zhao D12/209
D754,046 S * 4/2016 Chung D12/209
D755,693 S * 5/2016 Lee D12/209
D759,561 S * 6/2016 Hale, Jr. D12/209
D767,465 S * 9/2016 Liffick D12/209

* cited by examiner

Primary Examiner — Stacia Cadmus

(74) *Attorney, Agent, or Firm* — Thomas | Horstemeyer,
LLP

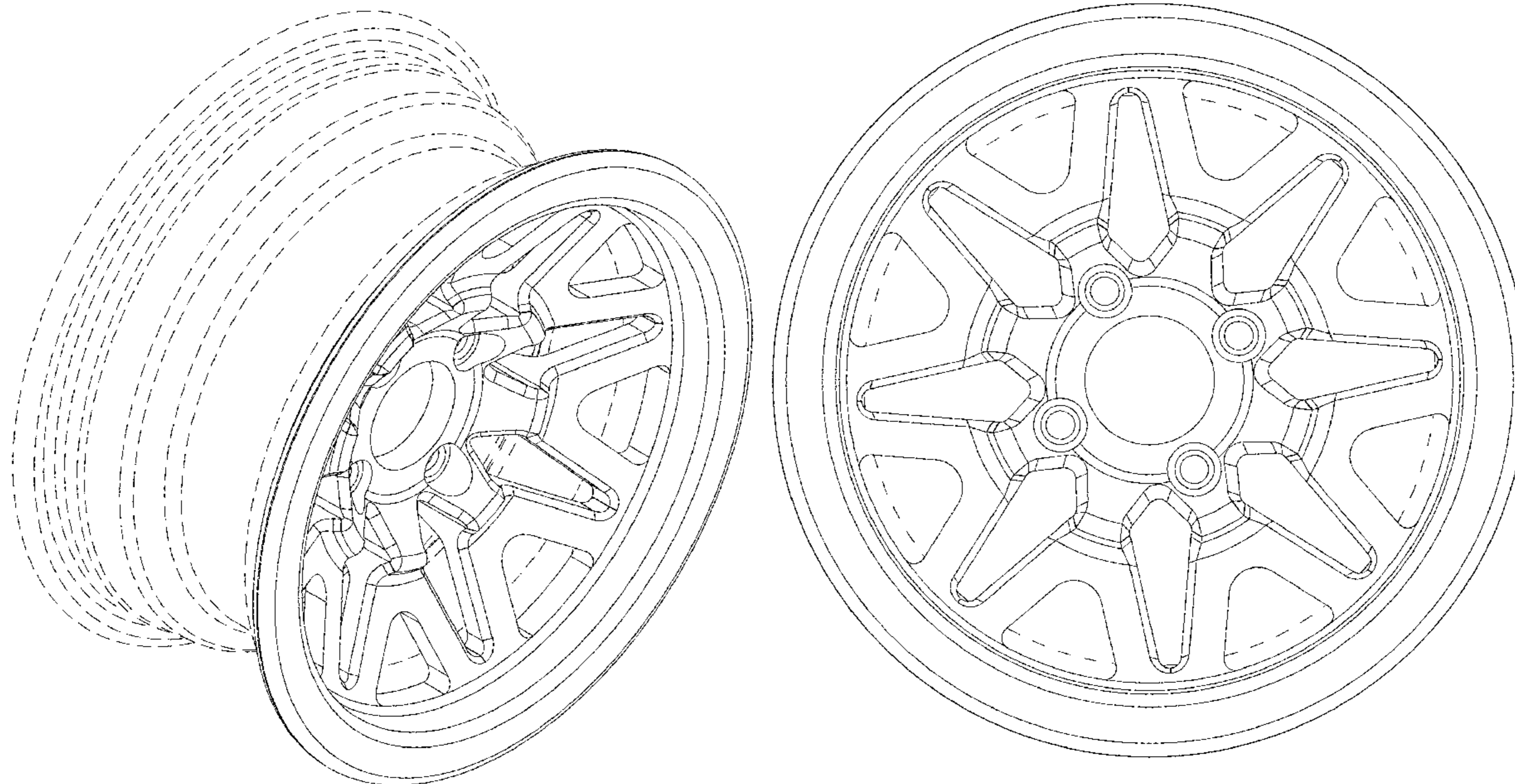
(57) **CLAIM**

The ornamental design for a wheel, as shown and described.

DESCRIPTION

FIG. 1 is a perspective view of a wheel, showing my new design; and,
FIG. 2 is a front view thereof.
The broken line showing of the rear portion of the wheel is included for the purpose of illustrating environment and forms no part of the claimed design.

1 Claim, 2 Drawing Sheets



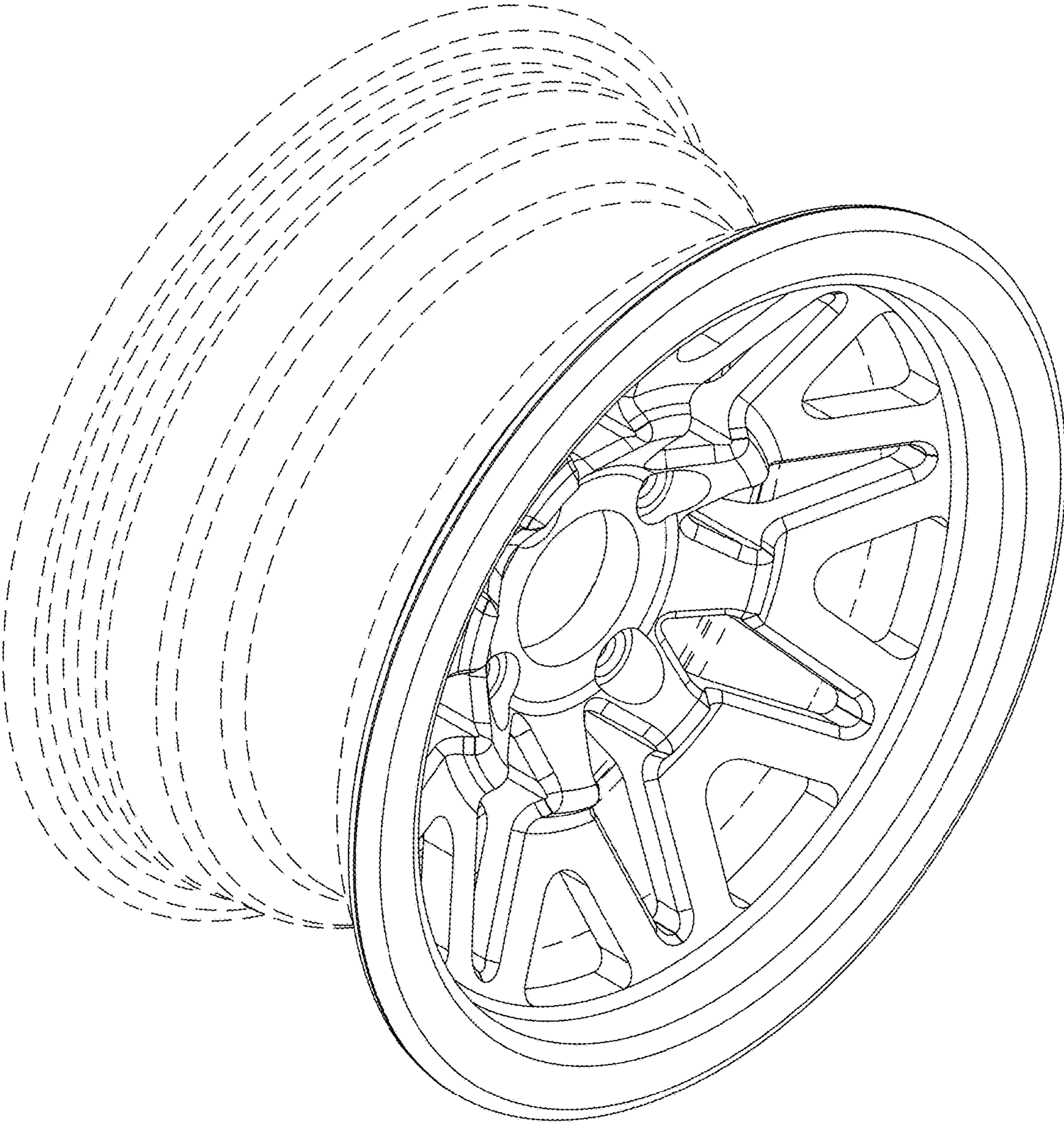


FIG. 1

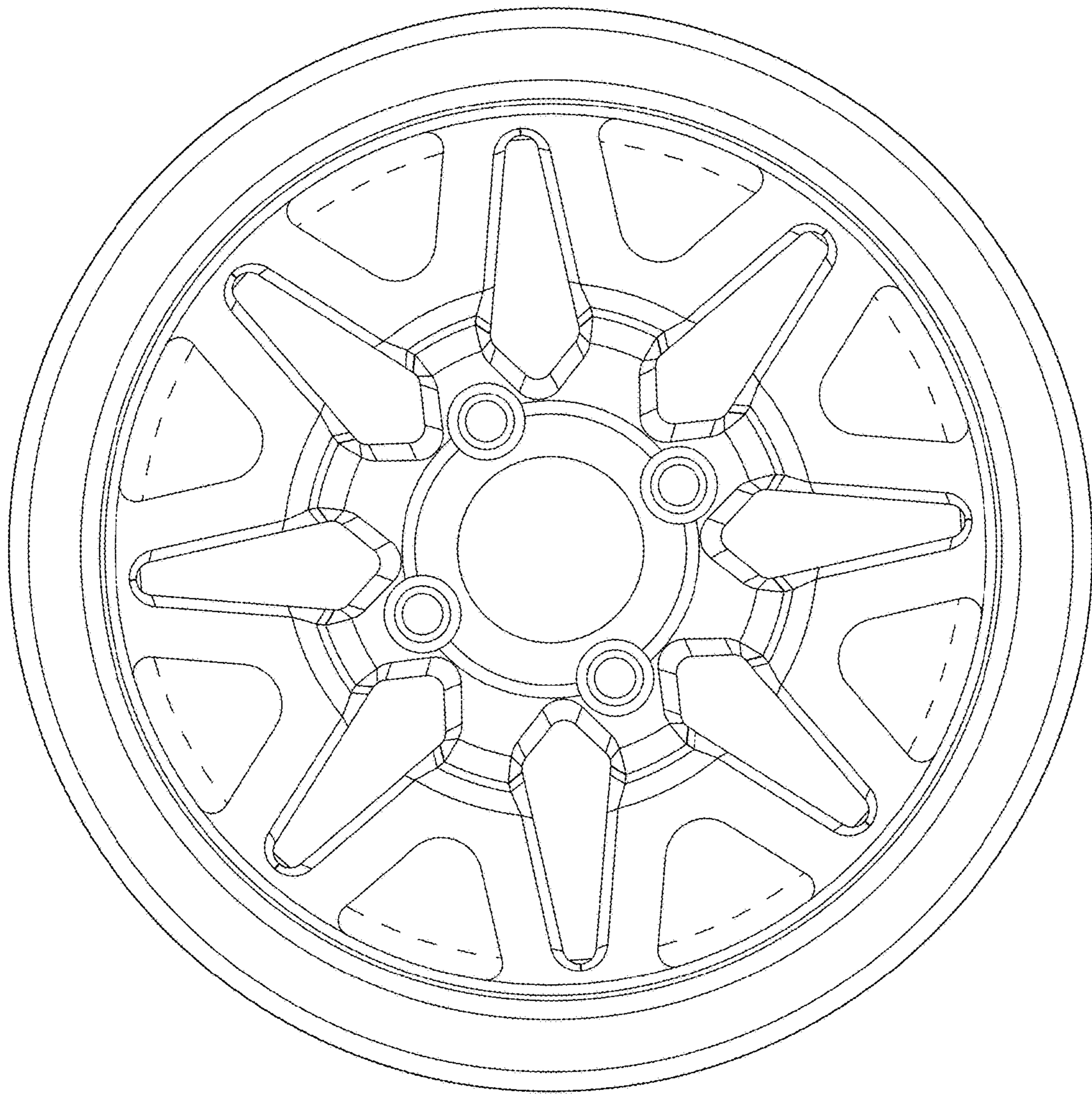


FIG. 2