



US00D803128S

(12) **United States Design Patent** (10) **Patent No.:** **US D803,128 S**  
**Svensson et al.** (45) **Date of Patent:** **\*\* Nov. 21, 2017**

(54) **VEHICLE WHEEL**  
(71) Applicant: **Ford Global Technologies, LLC**,  
Dearborn, MI (US)  
(72) Inventors: **Christopher Svensson**, Chelmsford  
(GB); **Craig S. Metros**, Bloomfield, MI  
(US); **Darrell Paul Behmer**, Novi, MI  
(US); **Eric Stoddard**, Birmingham, MI  
(US)  
(73) Assignee: **Ford Global Technologies, LLC**,  
Dearborn, MI (US)

(\*\*) Term: **15 Years**

(21) Appl. No.: **29/549,493**

(22) Filed: **Dec. 22, 2015**

(51) **LOC (10) Cl.** ..... **12-16**

(52) **U.S. Cl.**  
USPC ..... **D12/209**

(58) **Field of Classification Search**  
USPC ..... D12/204–213  
CPC .... B60B 7/00; B60B 7/02; B60B 7/04; B60B  
7/01; B60B 7/06; B60B 3/02; B60B 3/04;  
B60B 3/06; B60B 3/10; B60B 1/00;  
B60B 1/08; B60B 1/10; B60B 1/12  
See application file for complete search history.

(56) **References Cited**

**U.S. PATENT DOCUMENTS**

D380,431 S \* 7/1997 Brown ..... D12/209  
D535,605 S \* 1/2007 Guevara ..... D12/211  
D590,313 S \* 4/2009 Baum ..... D12/209  
D597,464 S \* 8/2009 Truebsbach ..... D12/211  
D603,318 S \* 11/2009 Luciani ..... D12/209  
D608,710 S \* 1/2010 Nissl ..... D12/209  
D634,689 S \* 3/2011 Futschik ..... D12/211  
D660,765 S 5/2012 Gotschke et al.

D660,766 S 5/2012 Gotschke et al.  
D660,772 S 5/2012 Gotschke et al.  
D663,669 S \* 7/2012 Baum ..... D12/209  
D668,197 S 10/2012 Gotschke et al.  
D675,969 S \* 2/2013 Mueller-Stolz ..... D12/209  
D688,181 S 8/2013 Gotschke et al.  
D688,182 S 8/2013 Gotschke et al.  
D688,183 S 8/2013 Gotschke et al.  
D696,176 S \* 12/2013 Rojas ..... D12/209  
D727,828 S \* 4/2015 Amezketa ..... D12/211  
D730,798 S \* 6/2015 Diephuis ..... D12/209  
D741,773 S \* 10/2015 Juergens ..... D12/211  
D781,202 S \* 3/2017 Mahoney ..... D12/211

**FOREIGN PATENT DOCUMENTS**

DE 402012100637.1 9/2012

**OTHER PUBLICATIONS**

Josh Sadlier, 2017 Ford Fusion Teased in New Photos, <http://www.autotrader.com/car-news/2017-ford-fusion-teased-in-new-photos-238624> Apr. 2015.  
Ciprian Florea, 2017 Ford Fusion St, <http://www.topspeed.com/cars/ford/2017-ford-fusion-st-ar171128.html> Sep. 6, 2015.  
Michael Gauthier, 2017 Ford Fusion Facelift Spied in Michigan, <http://www.motor1.com/spy/59710/2017-ford-fusion-facelift-spied-in-michigan> Nov. 19, 2015.

\* cited by examiner

*Primary Examiner* — Stacia Cadmus

(74) *Attorney, Agent, or Firm* — James Dottavio

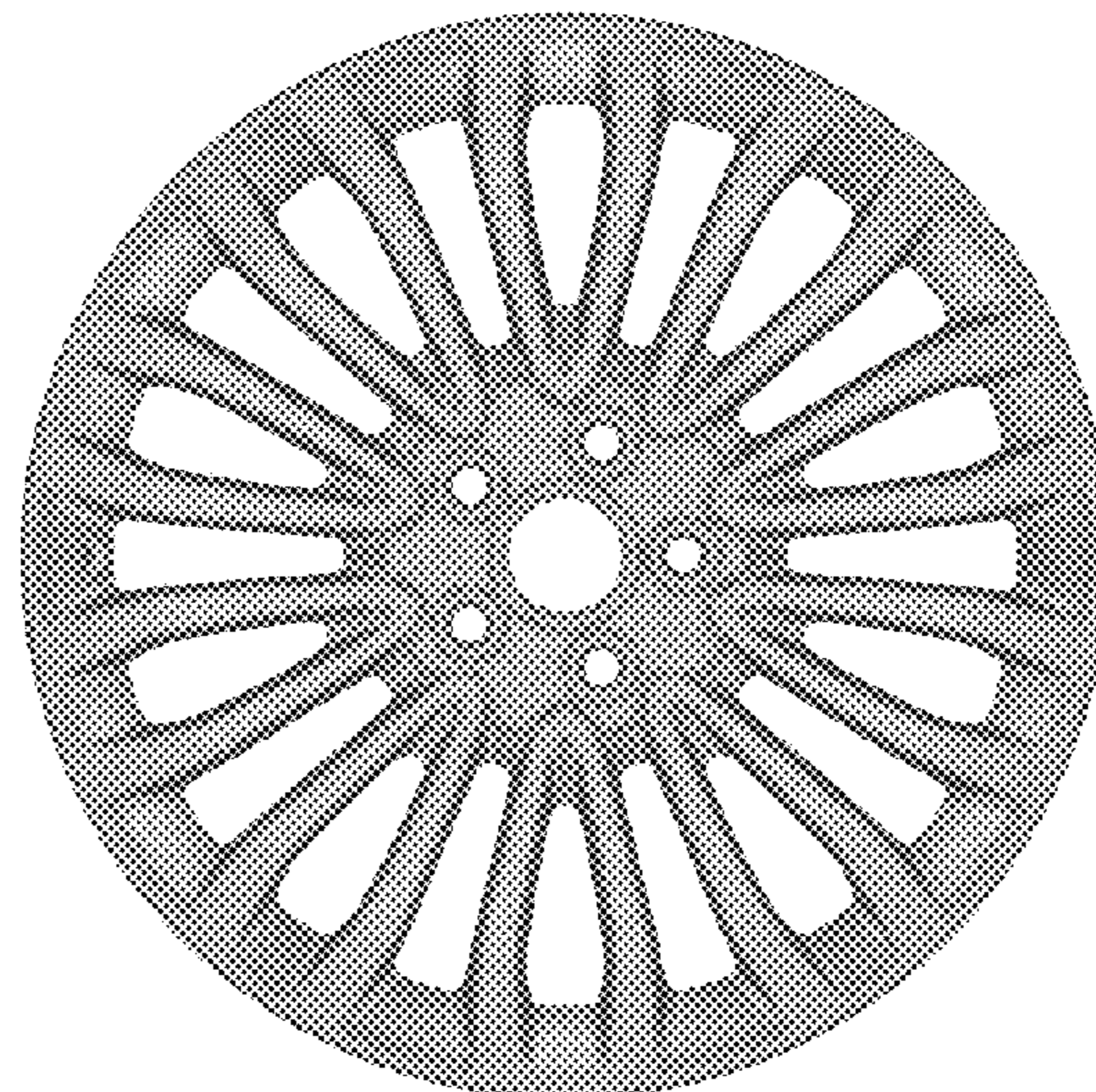
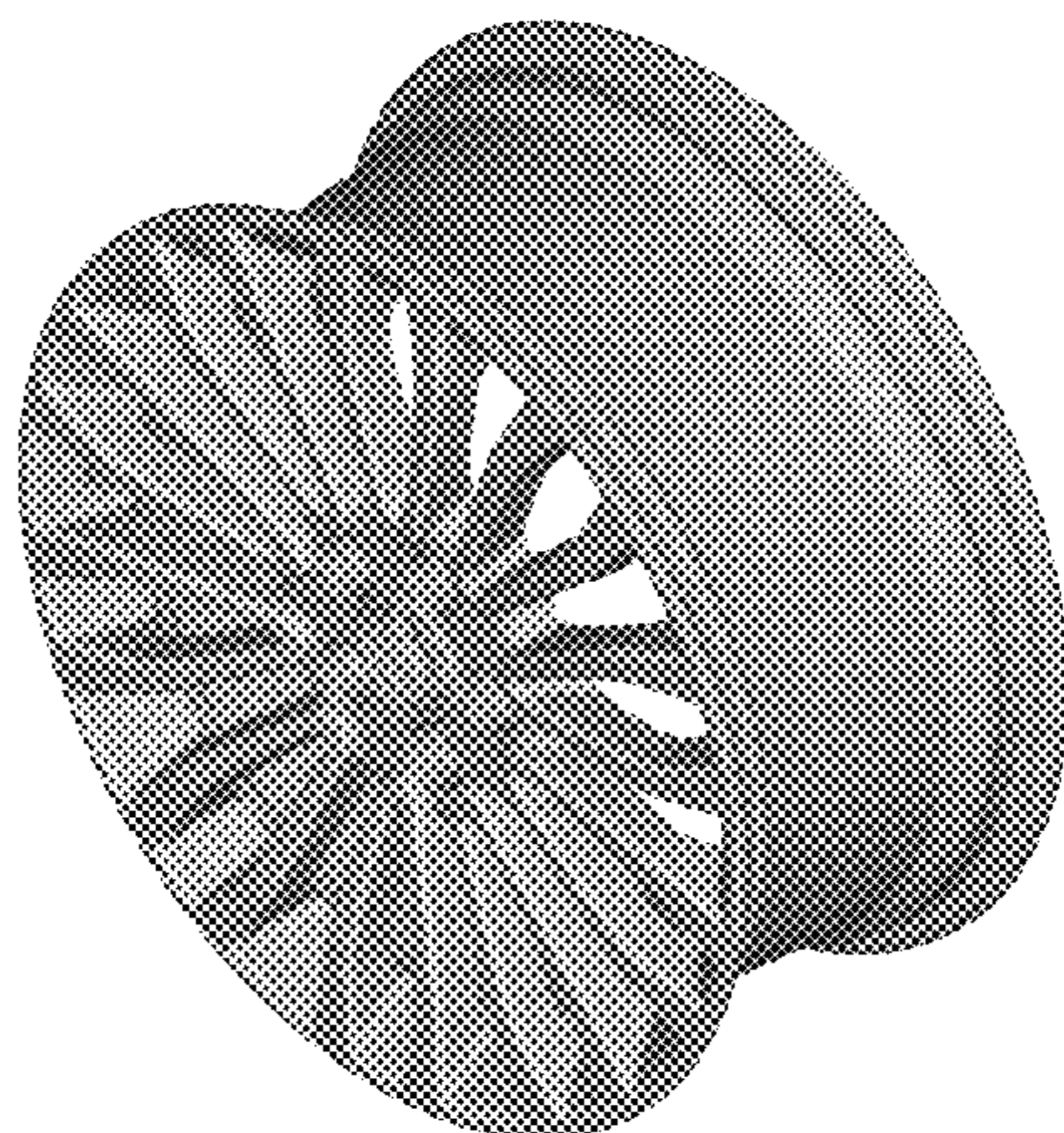
(57) **CLAIM**

The ornamental design for a vehicle wheel, as shown and described.

**DESCRIPTION**

FIG. 1 is a top perspective view of a vehicle wheel; and, FIG. 2 is a front elevational view thereof.

**1 Claim, 2 Drawing Sheets**



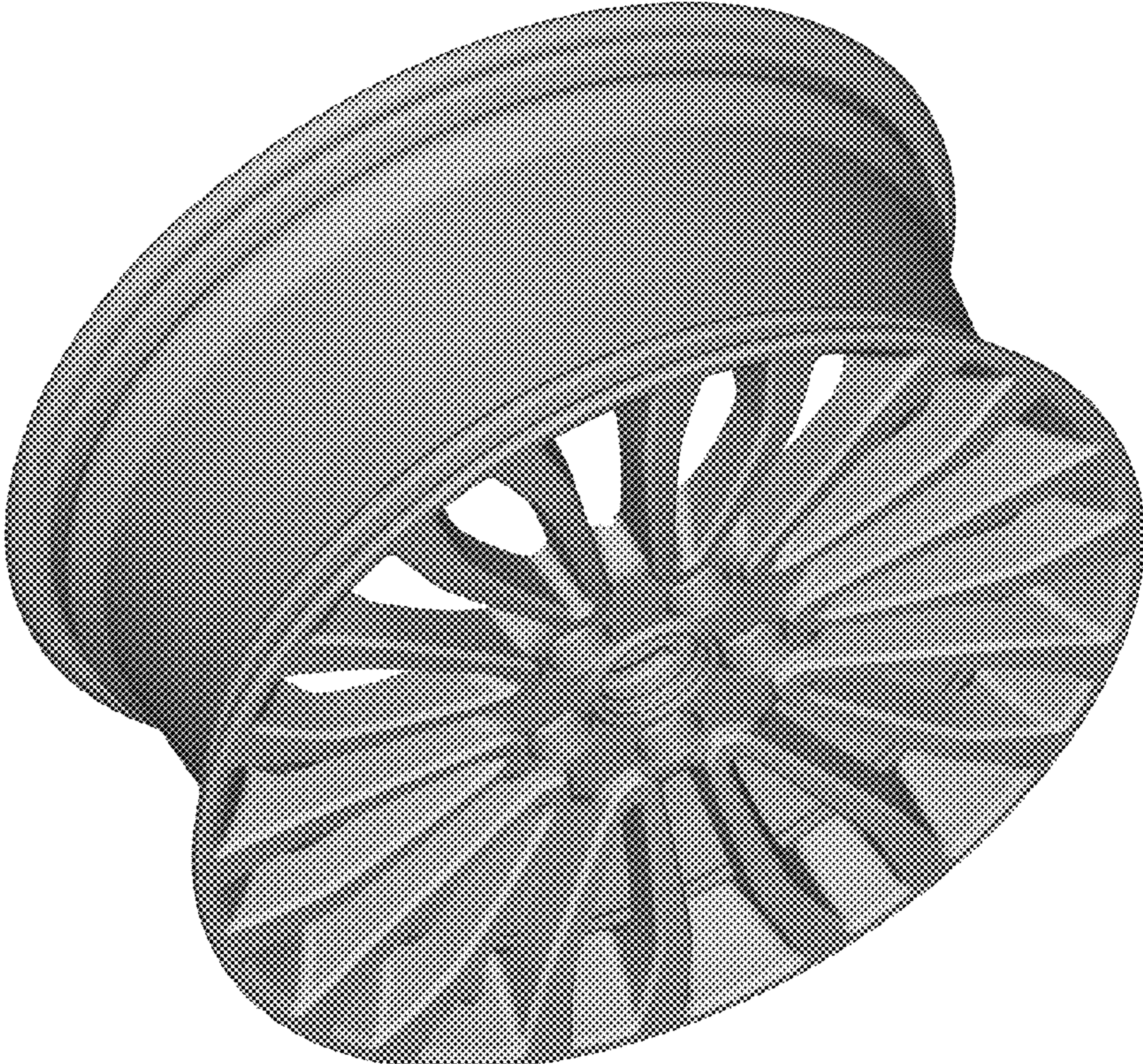


Figure 1

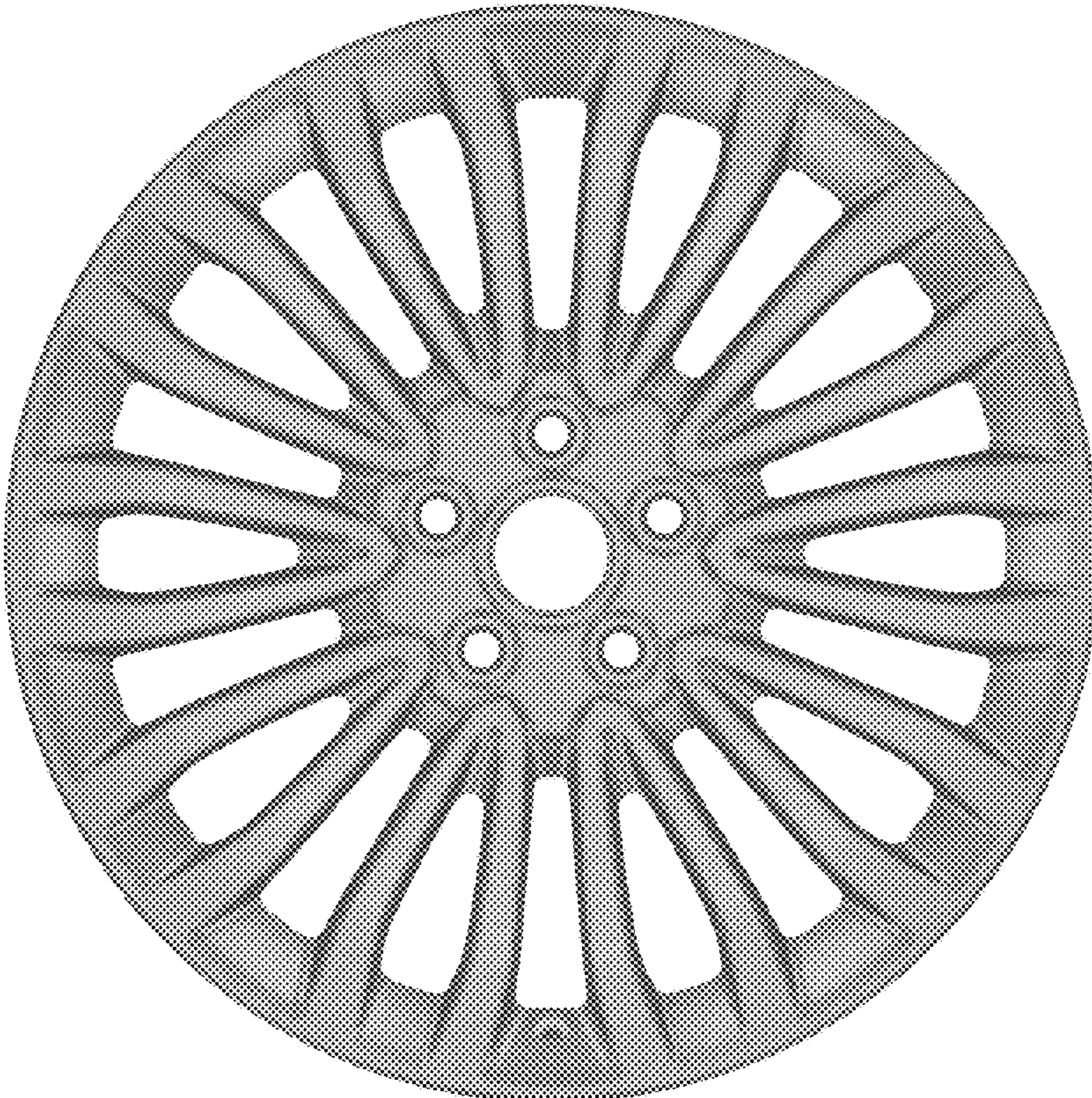


Figure 2