



US00D803126S

(12) **United States Design Patent** (10) **Patent No.:** **US D803,126 S**
Foley (45) **Date of Patent:** **** Nov. 21, 2017**

(54) **RECTANGULAR BAR WITH TWO STEPS**

(71) Applicant: **Patrick Noel Foley**, Bronx, NY (US)

(72) Inventor: **Patrick Noel Foley**, Bronx, NY (US)

(**) Term: **15 Years**

(21) Appl. No.: **29/580,171**

(22) Filed: **Oct. 6, 2016**

(51) **LOC (10) Cl.** **12-16**

(52) **U.S. Cl.**
USPC **D12/203**

(58) **Field of Classification Search**
USPC D12/203, 89, 98, 125, 162, 190, 196
CPC .. B60R 3/002; B60R 3/02; B60R 3/00; B60R 3/005; B60R 3/007

See application file for complete search history.

(56) **References Cited**

U.S. PATENT DOCUMENTS

D293,667	S	*	1/1988	Weiler	D12/203
D296,431	S	*	6/1988	Yont	D12/203
D370,452	S	*	6/1996	Beasley	D12/203
5,829,774	A		11/1998	Klemp		
6,145,861	A		11/2000	Willis		
D440,931	S	*	4/2001	Knight, III	D12/203
D444,754	S	*	7/2001	Storer	B60R 3/007
						D12/203
D463,345	S	*	9/2002	Cipolla	D12/162
6,769,704	B2		8/2004	Cipolla		
D511,319	S	*	11/2005	Wang	D12/162
D513,217	S	*	12/2005	Daws	D12/203
D527,323	S	*	8/2006	Storer	D12/203
D532,354	S	*	11/2006	Storer	D12/203
D594,799	S	*	6/2009	Schnebele	D12/203
D634,687	S	*	3/2011	Vukel	D12/162
D645,805	S	*	9/2011	Vukel	D12/162

D723,443	S	*	3/2015	Anderson	D12/203
D723,984	S	*	3/2015	Anderson	D12/203
D737,188	S	*	8/2015	Perkins	D12/203
D757,622	S	*	5/2016	Wolf	D12/203
9,487,146	B1	*	11/2016	Lowell	B60R 3/007
2005/0212249	A1		9/2005	Lopez		
2011/0193310	A1		8/2011	Gansberger		
2013/0270791	A1	*	10/2013	Anderson	B60R 3/007
						280/163

* cited by examiner

Primary Examiner — George D. Kirschbaum

Assistant Examiner — Clese Moore, Jr.

(74) *Attorney, Agent, or Firm* — Carter, DeLuca, Farrell & Schmidt, LLP; George Likourezos, Esq.

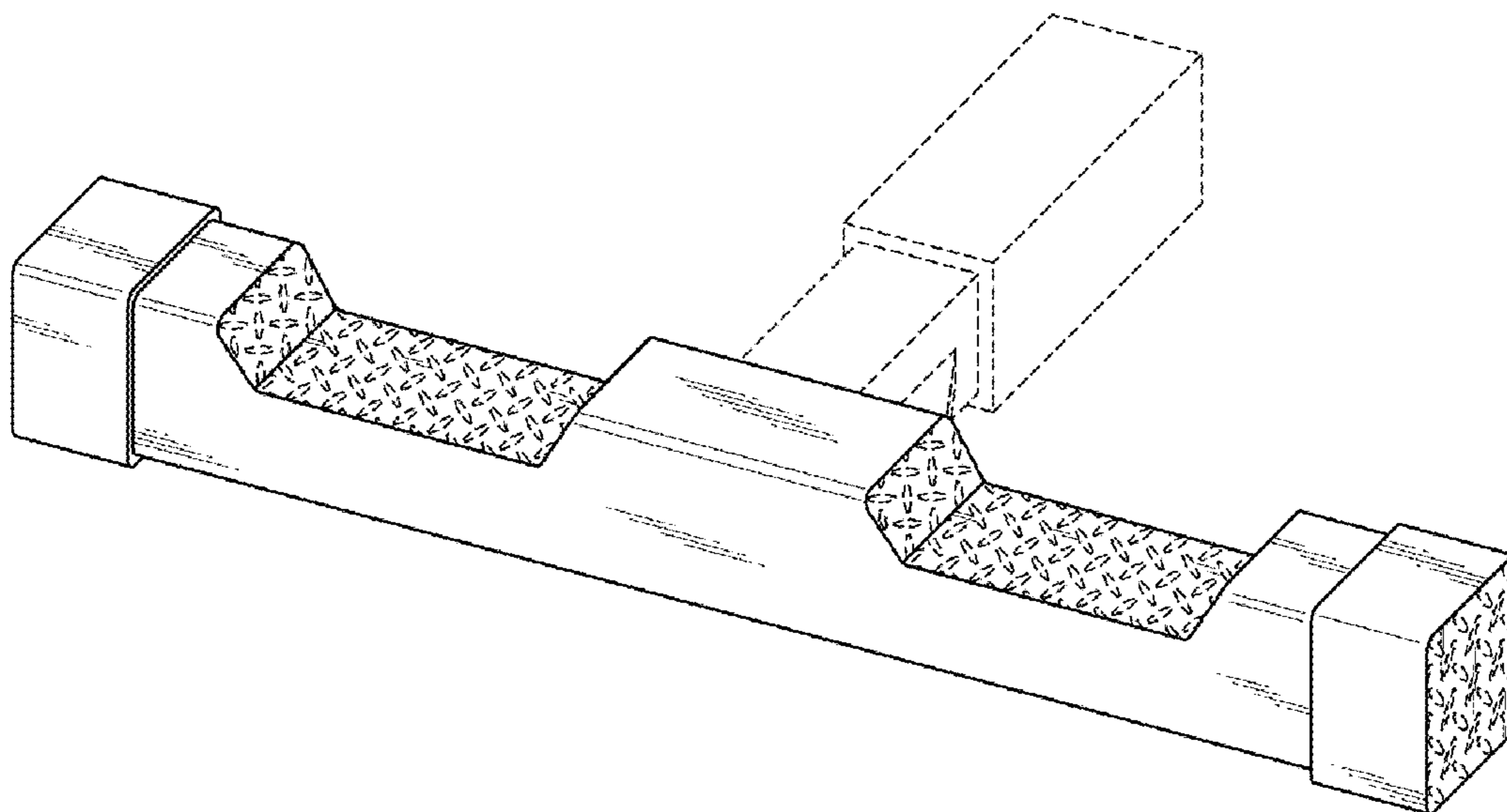
(57) **CLAIM**

The ornamental design for a rectangular bar with two steps, as shown and described.

DESCRIPTION

FIG. 1 is a perspective view of a rectangular bar with two steps in accordance with the present design;
FIG. 2 is a rear side view thereof;
FIG. 3 is a front side view thereof;
FIG. 4 is a right side view thereof;
FIG. 5 is a left side view thereof;
FIG. 6 is a top plan view thereof; and,
FIG. 7 is a bottom plan view thereof.
The broken lines shown are included for the purpose of illustrating a hitch-mount assembly and ovals on and in proximity to each of the two steps which form no part of the claimed design.

1 Claim, 3 Drawing Sheets



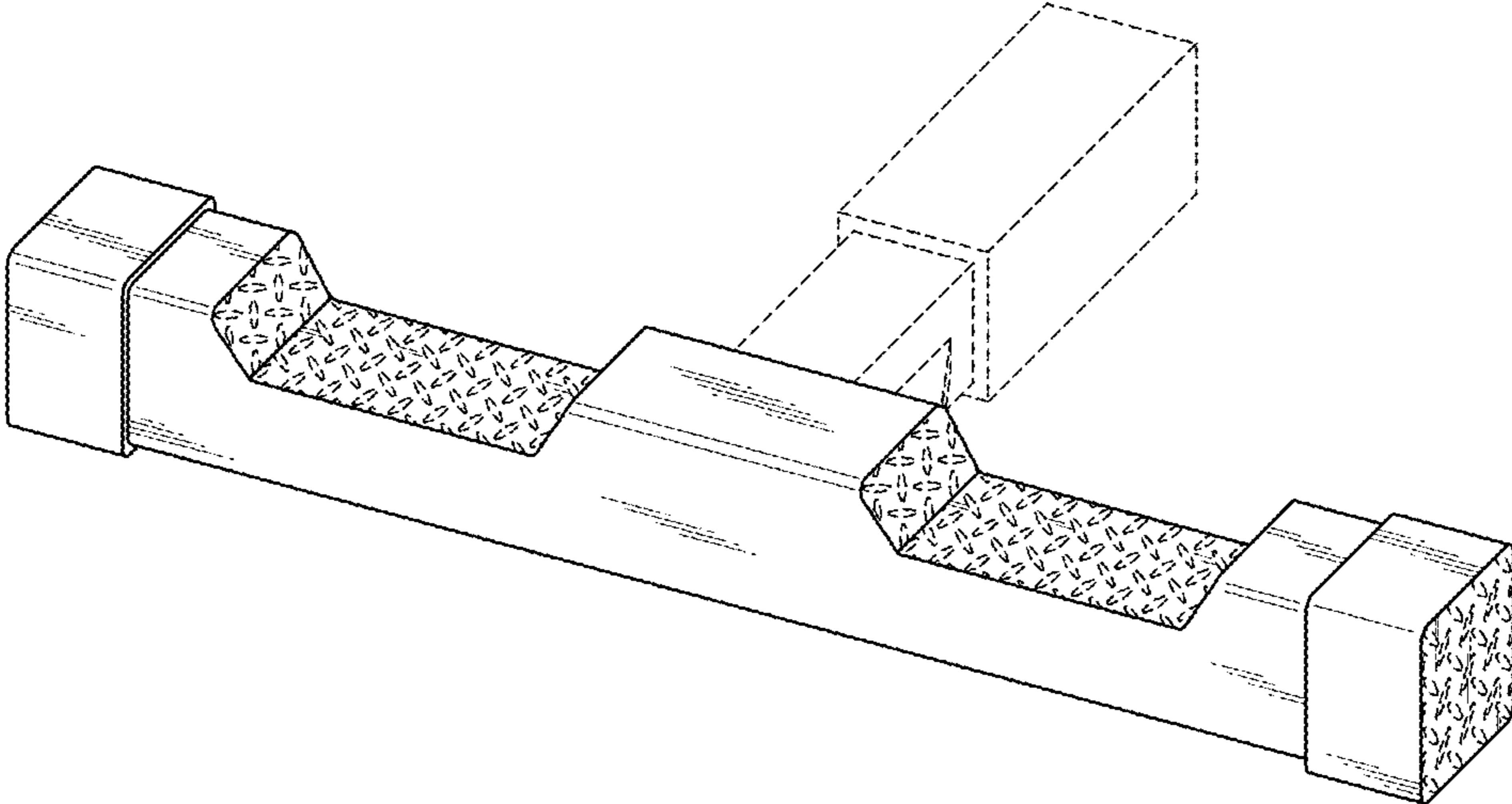


FIG. 1

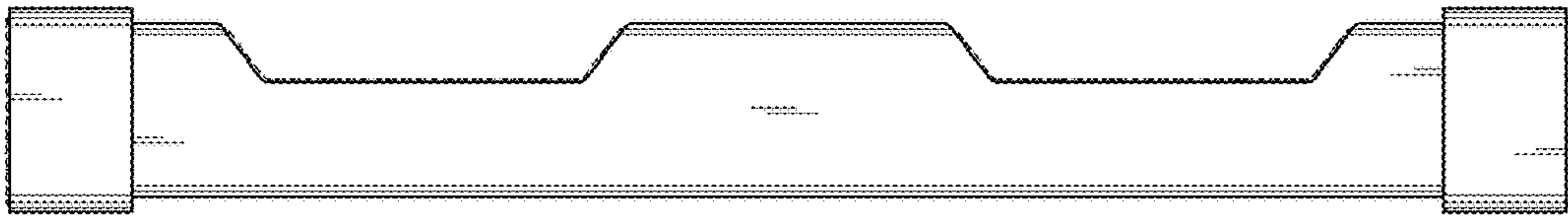


FIG. 2

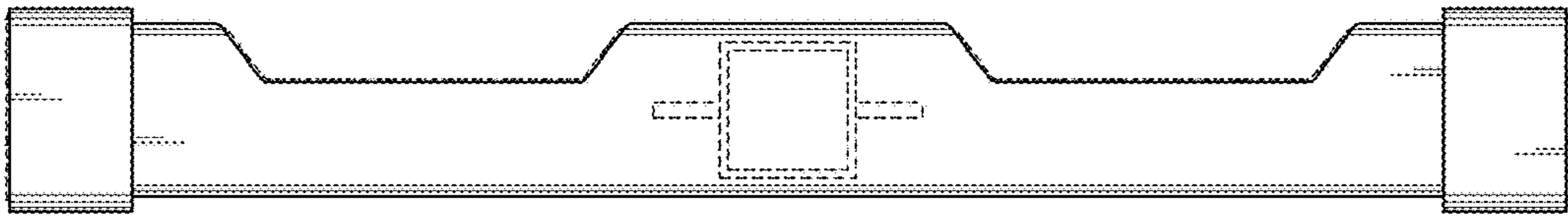


FIG. 3

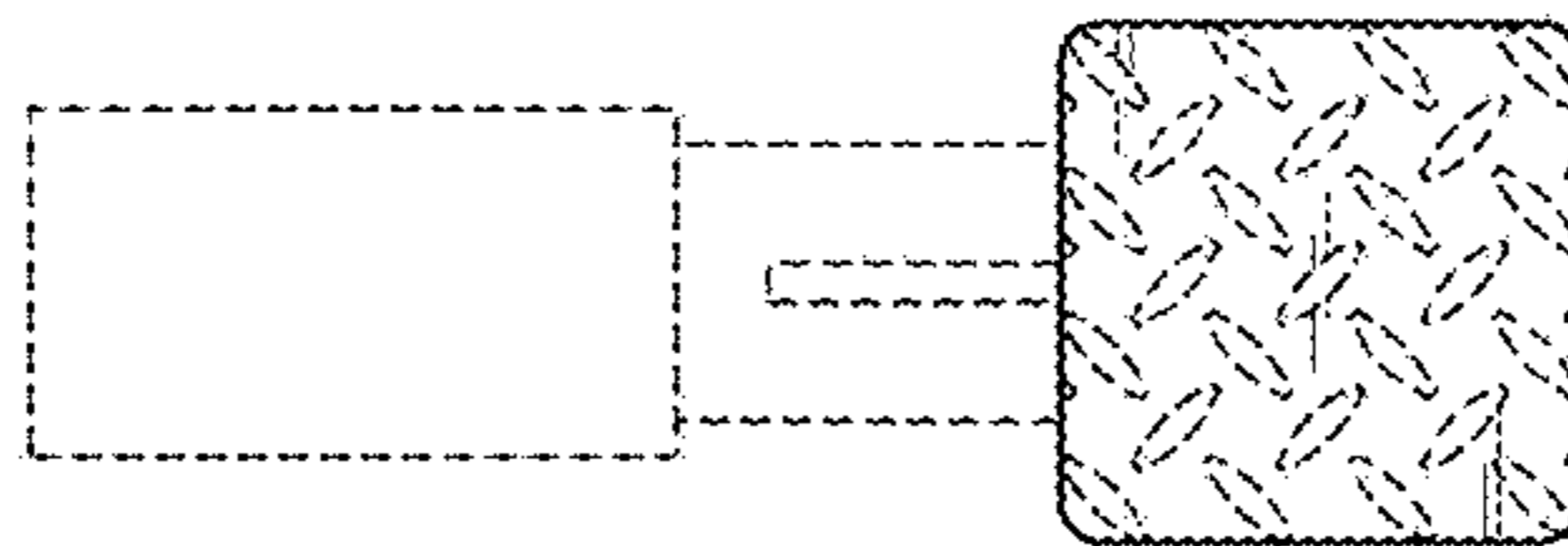


FIG. 4

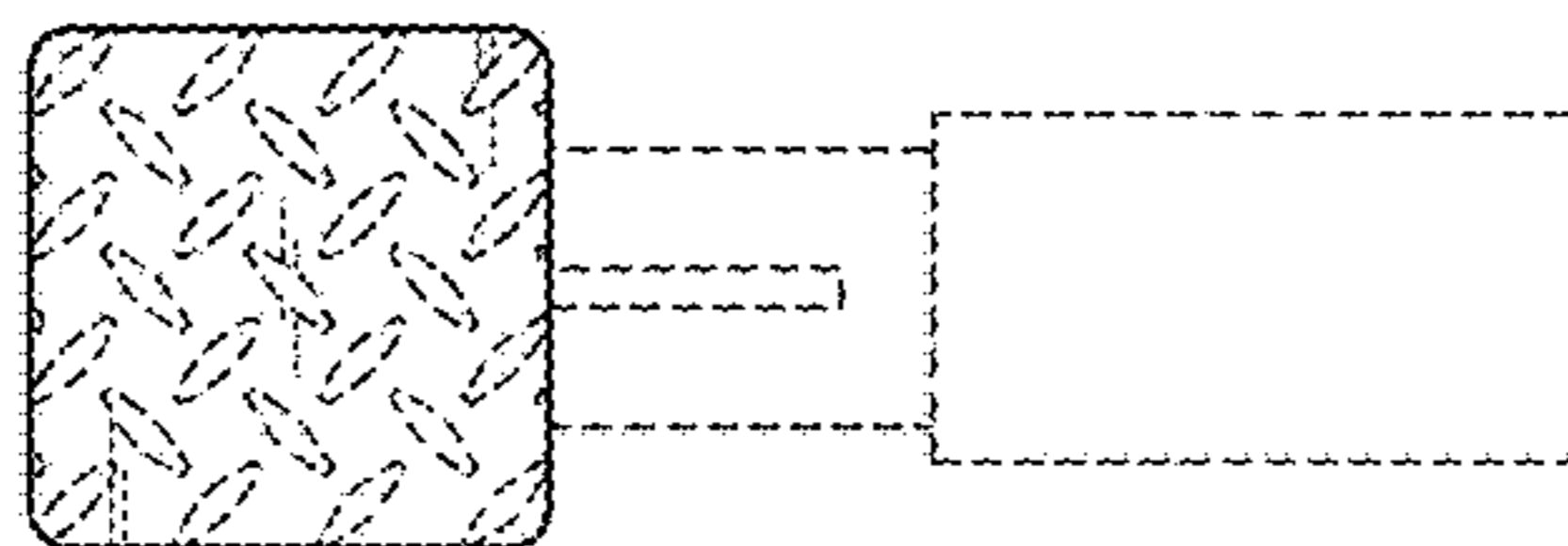


FIG. 5

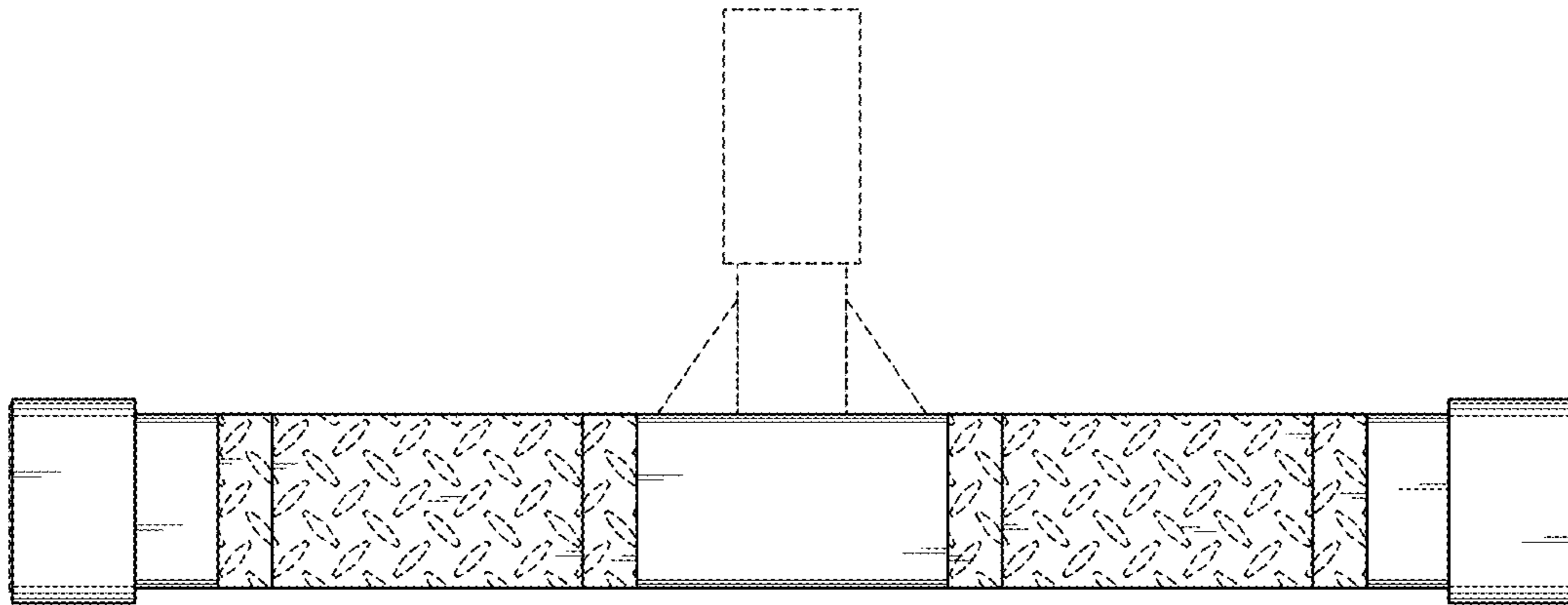


FIG. 6

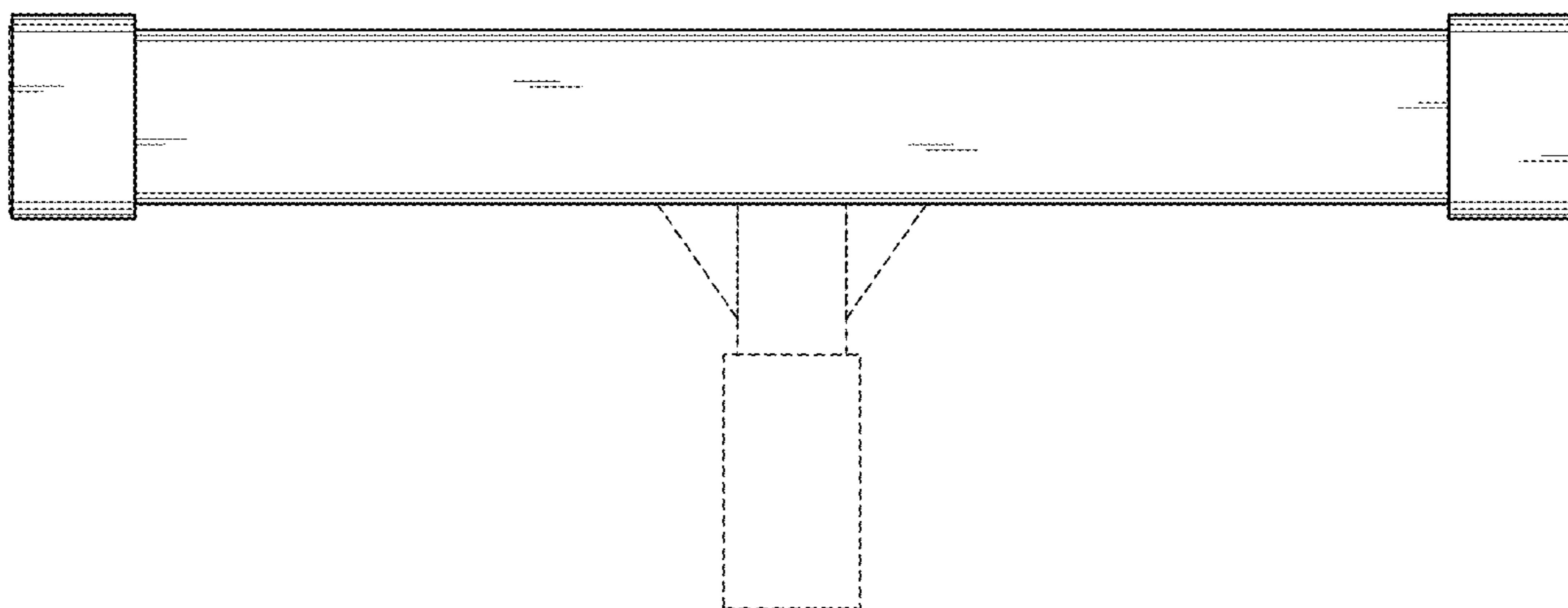


FIG. 7