



US00D803125S

(12) **United States Design Patent** (10) **Patent No.:** **US D803,125 S**
Platto et al. (45) **Date of Patent:** **** Nov. 21, 2017**

(54) **VEHICLE REAR BUMPER STEP PAD**

(71) Applicant: **Ford Motor Company**, Dearborn, MI (US)

(72) Inventors: **Gordon Platto**, Troy, MI (US); **Sean Tant**, Livonia, MI (US); **William K. Moore**, West Bloomfield, MI (US)

(73) Assignee: **Ford Motor Company**, Dearborn, MI (US)

(**) Term: **15 Years**

(21) Appl. No.: **29/537,781**

(22) Filed: **Aug. 28, 2015**

(51) **LOC (10) Cl.** **12-16**

(52) **U.S. Cl.**
USPC **D12/203**

(58) **Field of Classification Search**
USPC D12/203, 169, 196, 163, 164, 86, 171, D12/216, 92, 98; D21/433, 434
CPC B60R 19/02; B60R 19/48; B60R 19/24; B60R 3/00
See application file for complete search history.

(56) **References Cited**

U.S. PATENT DOCUMENTS

D491,496 S * 6/2004 Metros D12/169
D501,809 S * 2/2005 Metros D12/169
D531,556 S * 11/2006 Metros D12/169

D536,646 S * 2/2007 Shimoguchi D12/169
D575,697 S * 8/2008 Gale D12/169
D579,828 S * 11/2008 Bucher D12/163
D623,569 S * 9/2010 Cogswell D12/169
D697,855 S * 1/2014 Platto D12/203
D713,306 S * 9/2014 Sperling D12/169
D721,304 S * 1/2015 Platto D12/169
D739,798 S * 9/2015 O'Donnell D12/169
D749,997 S * 2/2016 McMahan D12/169
D767,454 S * 9/2016 McMahan D12/169
D775,008 S * 12/2016 Chung D12/169

* cited by examiner

Primary Examiner — George D. Kirschbaum

Assistant Examiner — Clese Moore, Jr.

(74) *Attorney, Agent, or Firm* — Damian Porcari; Burris Law, PLLC

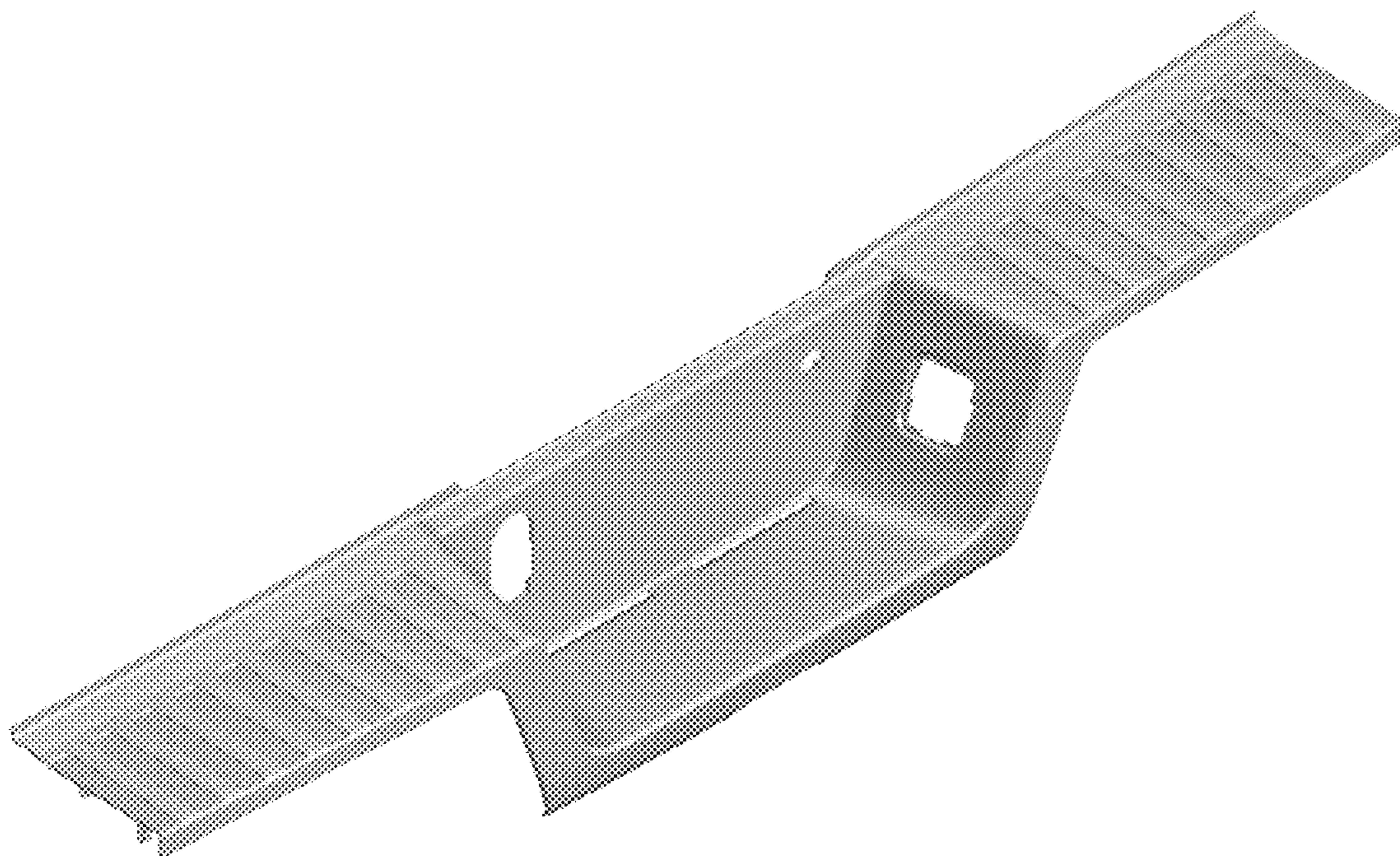
(57) **CLAIM**

The ornamental design for a vehicle rear bumper step pad, as shown and described.

DESCRIPTION

FIG. 1 is a top left perspective view of a vehicle rear bumper step pad;
FIG. 2 is a top right perspective view thereof;
FIG. 3 is a top rear perspective view thereof;
FIG. 4 is a front elevational view thereof;
FIG. 5 is a rear elevational view thereof;
FIG. 6 is a left side elevational view thereof;
FIG. 7 is a right side elevational view thereof;
FIG. 8 is a top plan view thereof; and,
FIG. 9 is a bottom plan view thereof.

1 Claim, 9 Drawing Sheets



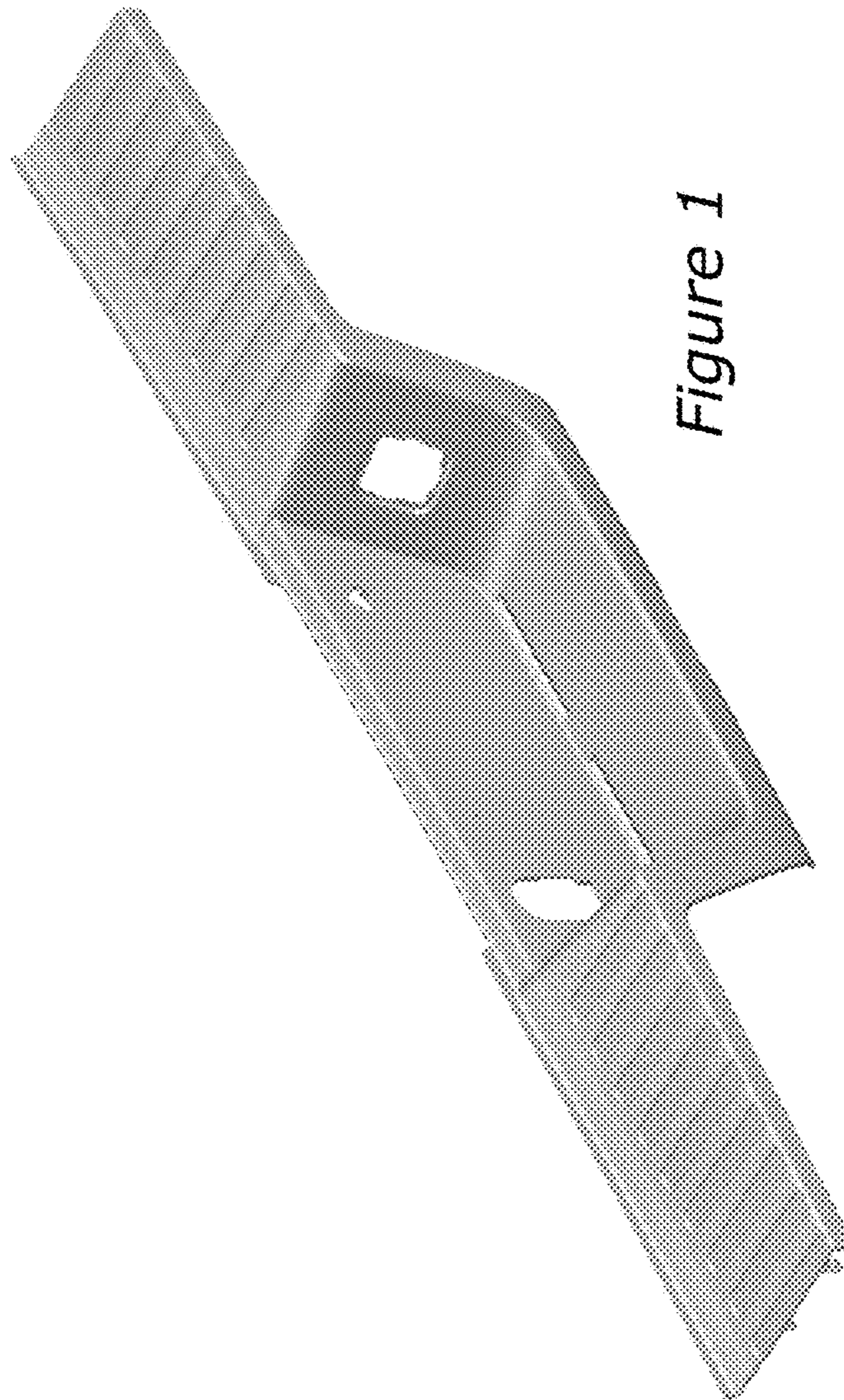


Figure 1

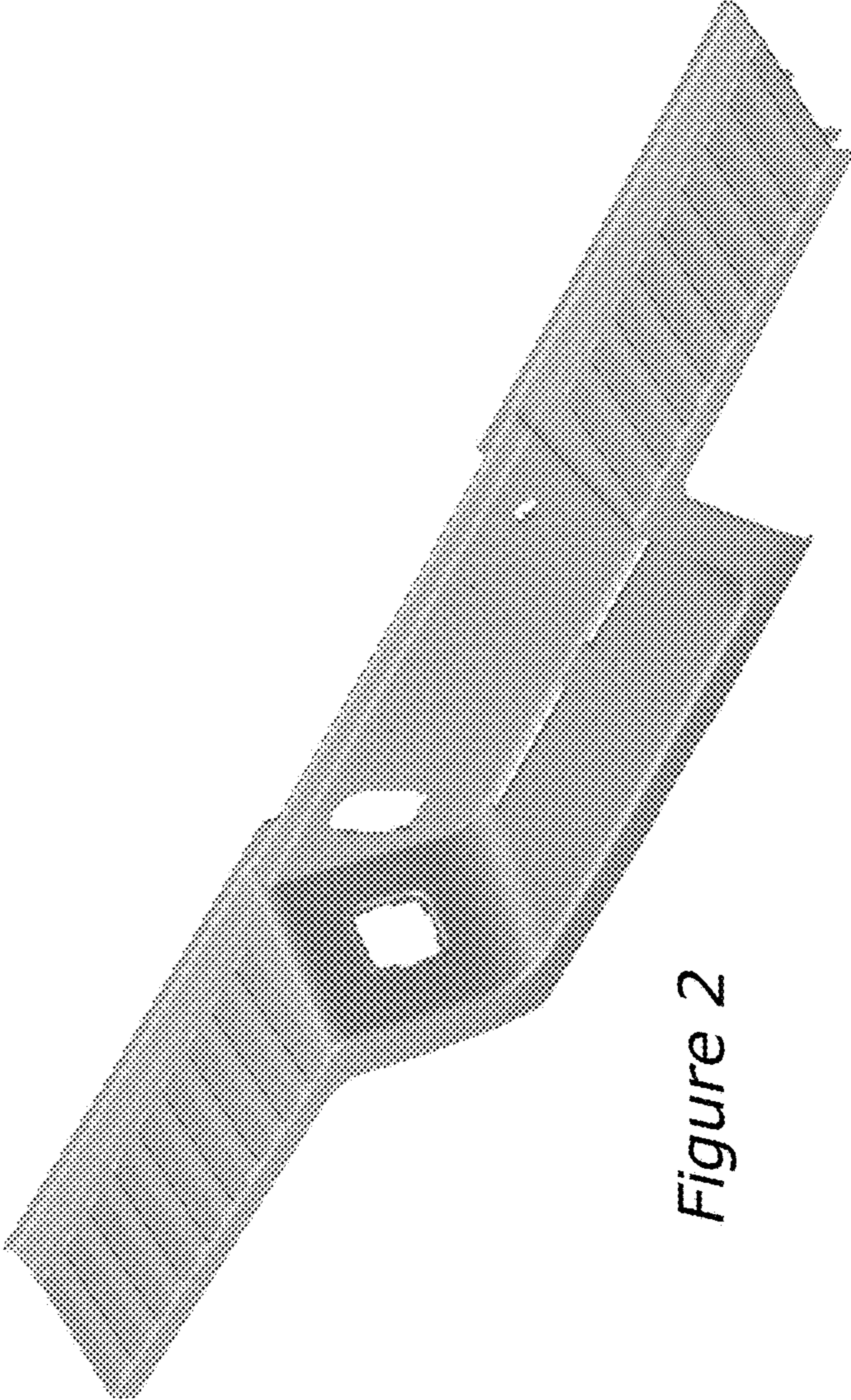
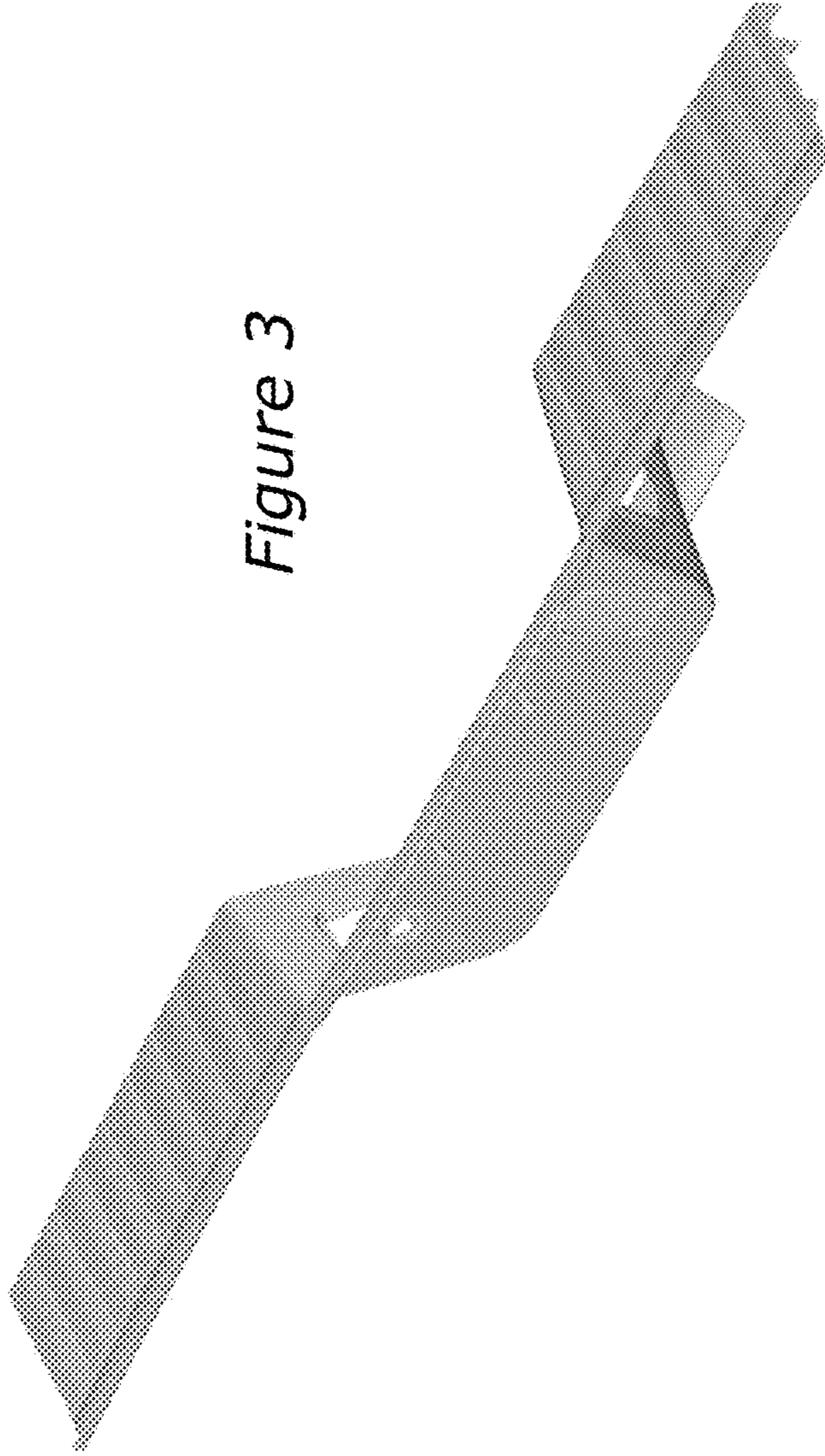


Figure 2

Figure 3



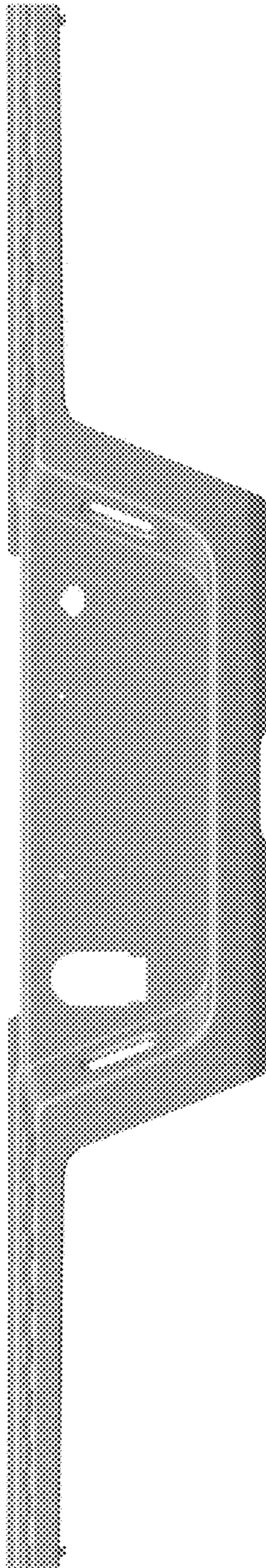


Figure 4

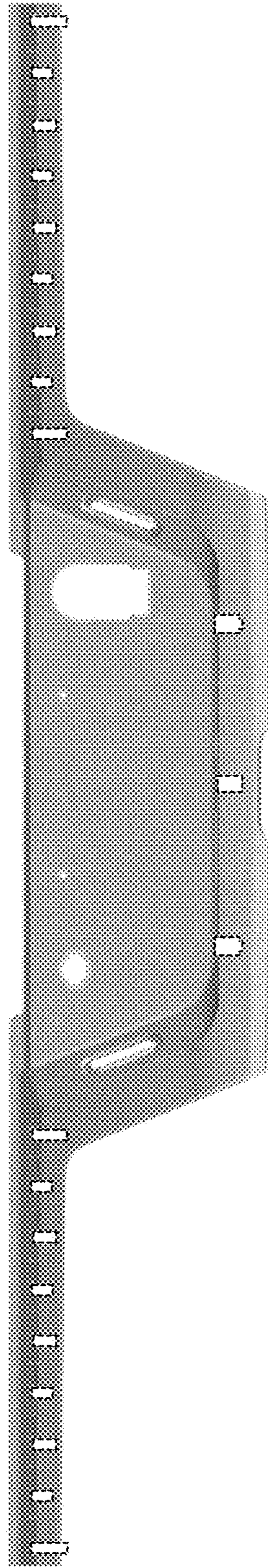


Figure 5

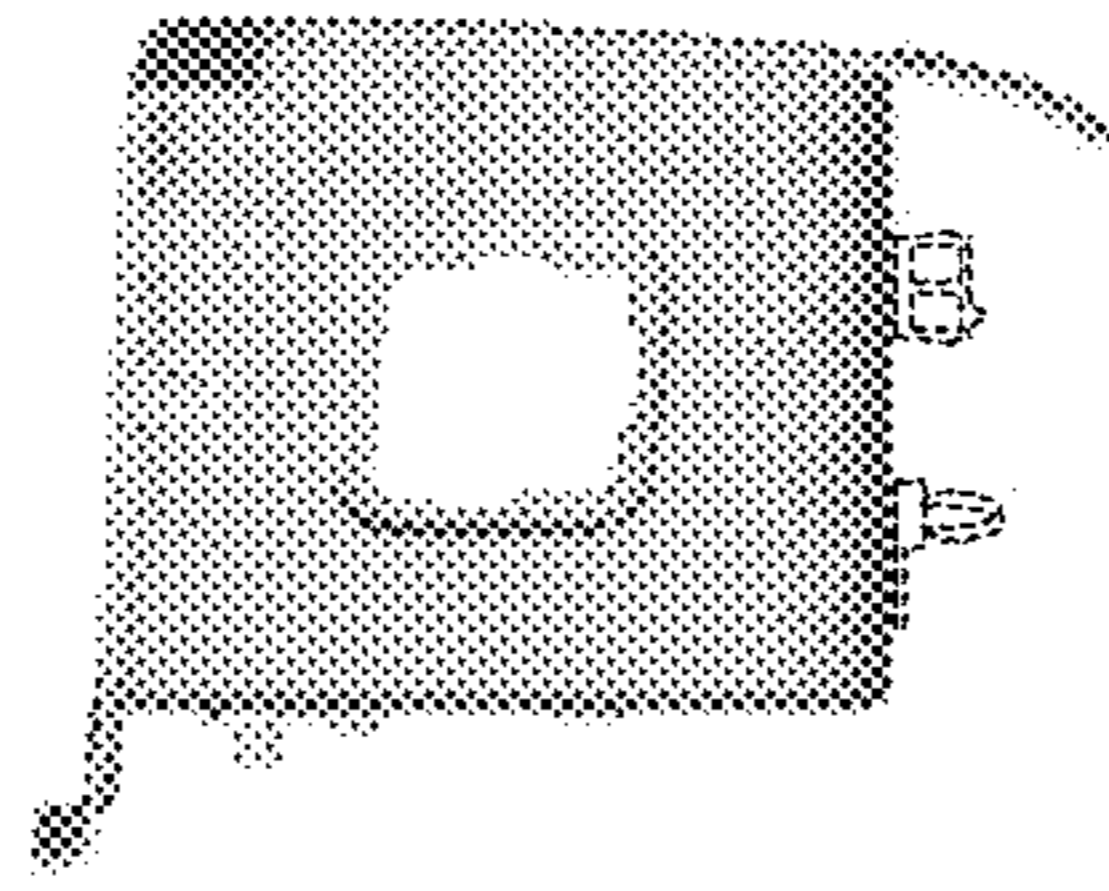


Figure 6

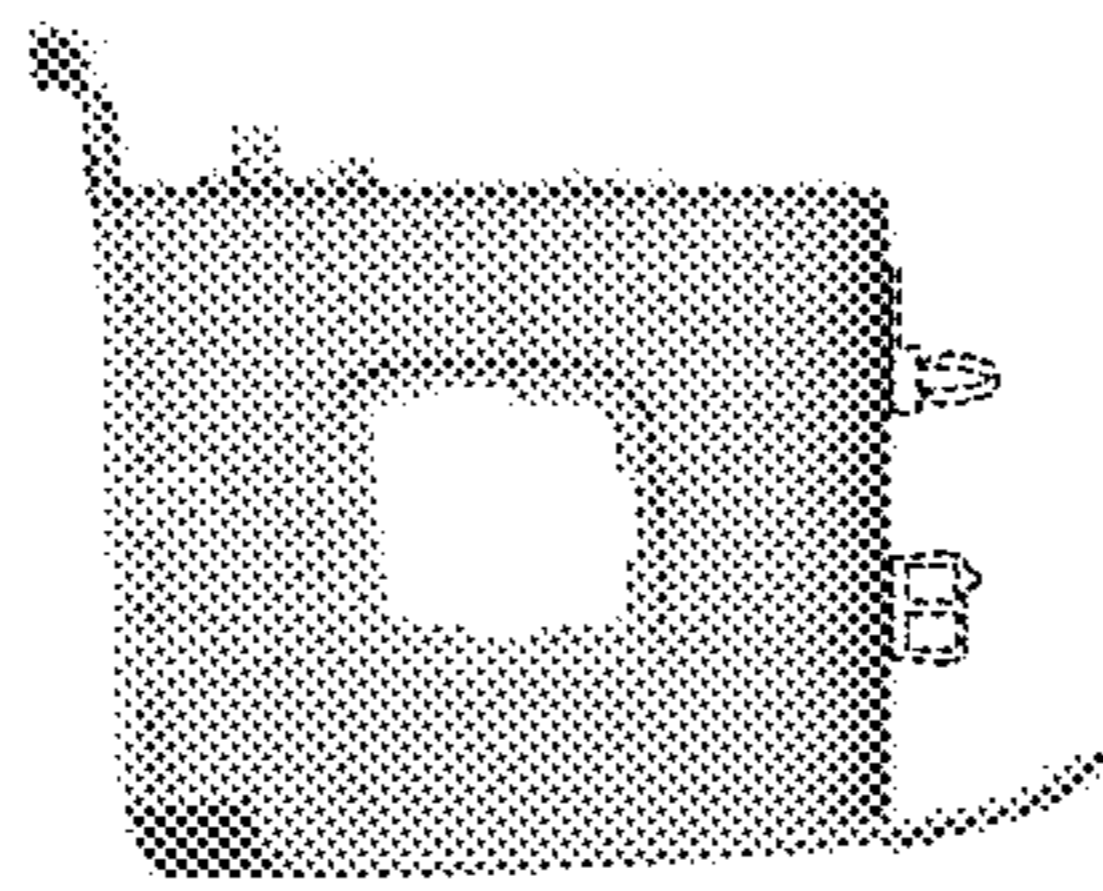


Figure 7

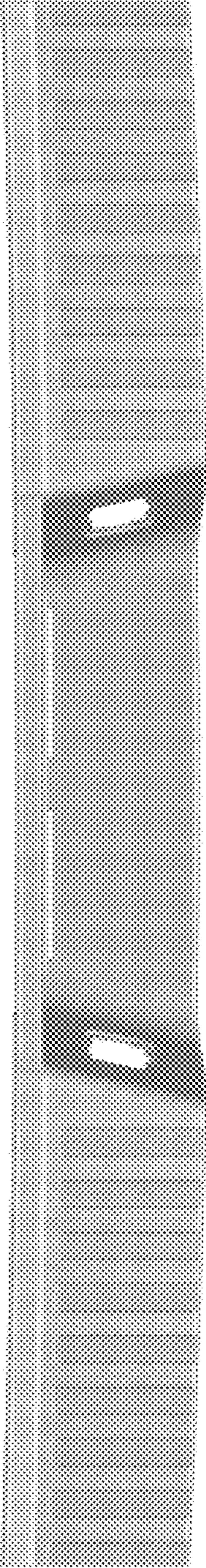


Figure 8

Figure 9

