



US00D803124S

(12) **United States Design Patent**
Rozan

(10) **Patent No.:** **US D803,124 S**

(45) **Date of Patent:** **** Nov. 21, 2017**

(54) **INFLATABLE HOOD ORNAMENT**

(71) Applicant: **Wesley Rozan**, South Lyon, MI (US)

(72) Inventor: **Wesley Rozan**, South Lyon, MI (US)

(**) Term: **15 Years**

(21) Appl. No.: **29/548,054**

(22) Filed: **Dec. 10, 2015**

(51) **LOC (10) Cl.** **12-16**

(52) **U.S. Cl.**
USPC **D12/197**

(58) **Field of Classification Search**
USPC D12/181, 197-201, 110, 114, 218;
D15/4; D11/162, 124, 128
CPC B60R 13/005
See application file for complete search history.

(56) **References Cited**

U.S. PATENT DOCUMENTS

5,297,837 A	3/1994	Burst et al.	
5,931,131 A *	8/1999	Hackett	F02B 47/08 123/195 C
D494,191 S *	8/2004	Aketa	D15/1
D531,638 S	11/2006	Drew et al.	
D718,043 S	11/2014	Hamburger	
D732,081 S	6/2015	Northrop et al.	
D733,763 S *	7/2015	Nuta	D15/1
D735,757 S *	8/2015	Nuta	D15/1
D759,726 S *	6/2016	Takao	D15/1
D777,791 S *	1/2017	Okuyama	D15/1
D785,674 S *	5/2017	Takahata	D15/1

2005/0248184 A1 11/2005 Piffaretti

* cited by examiner

Primary Examiner — Katrina A Betton
(74) *Attorney, Agent, or Firm* — Global Intellectual Property Agency, LLC; Jordan Sworen

(57) **CLAIM**

The ornamental design for an inflatable hood ornament, as shown and described.

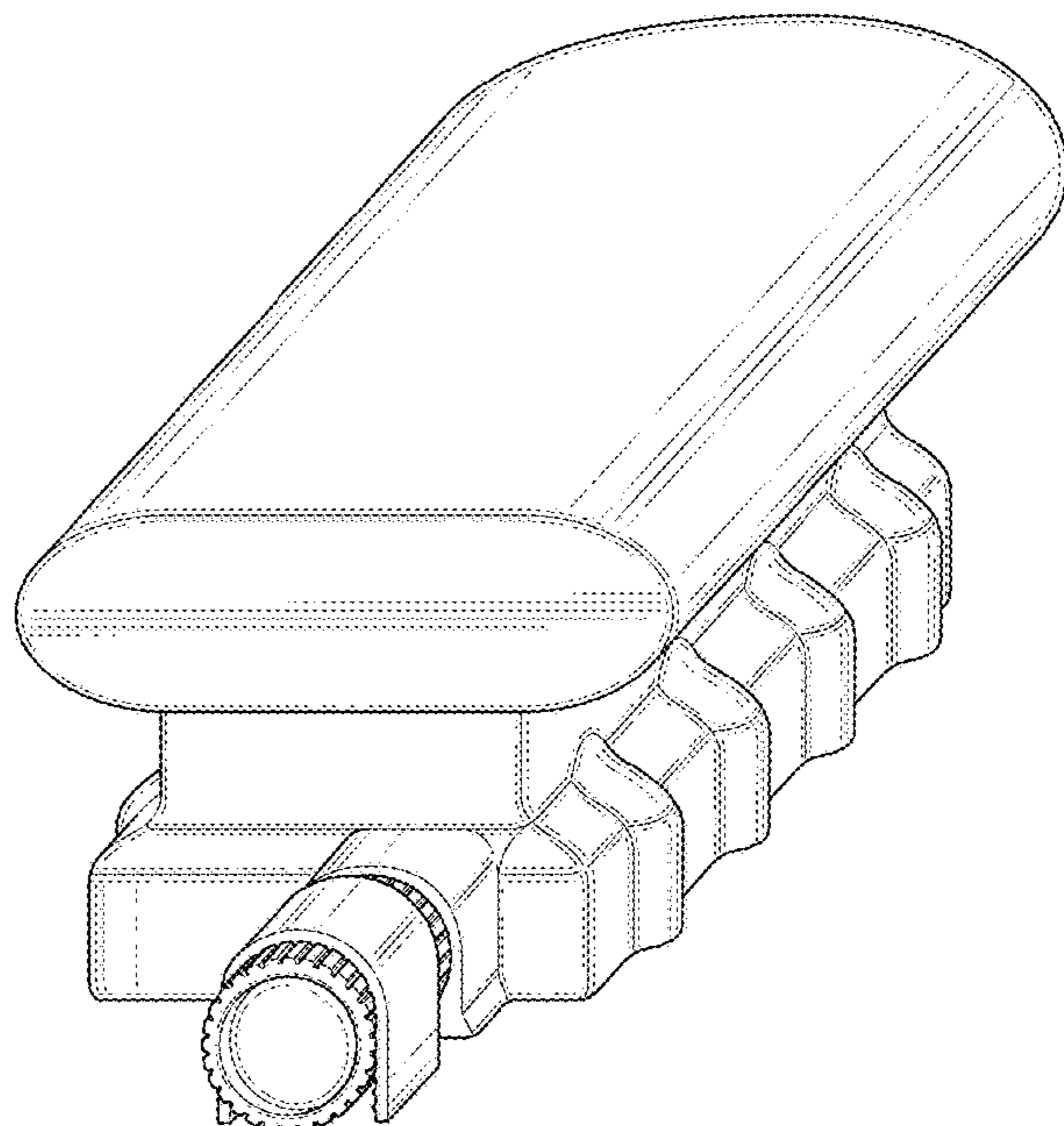
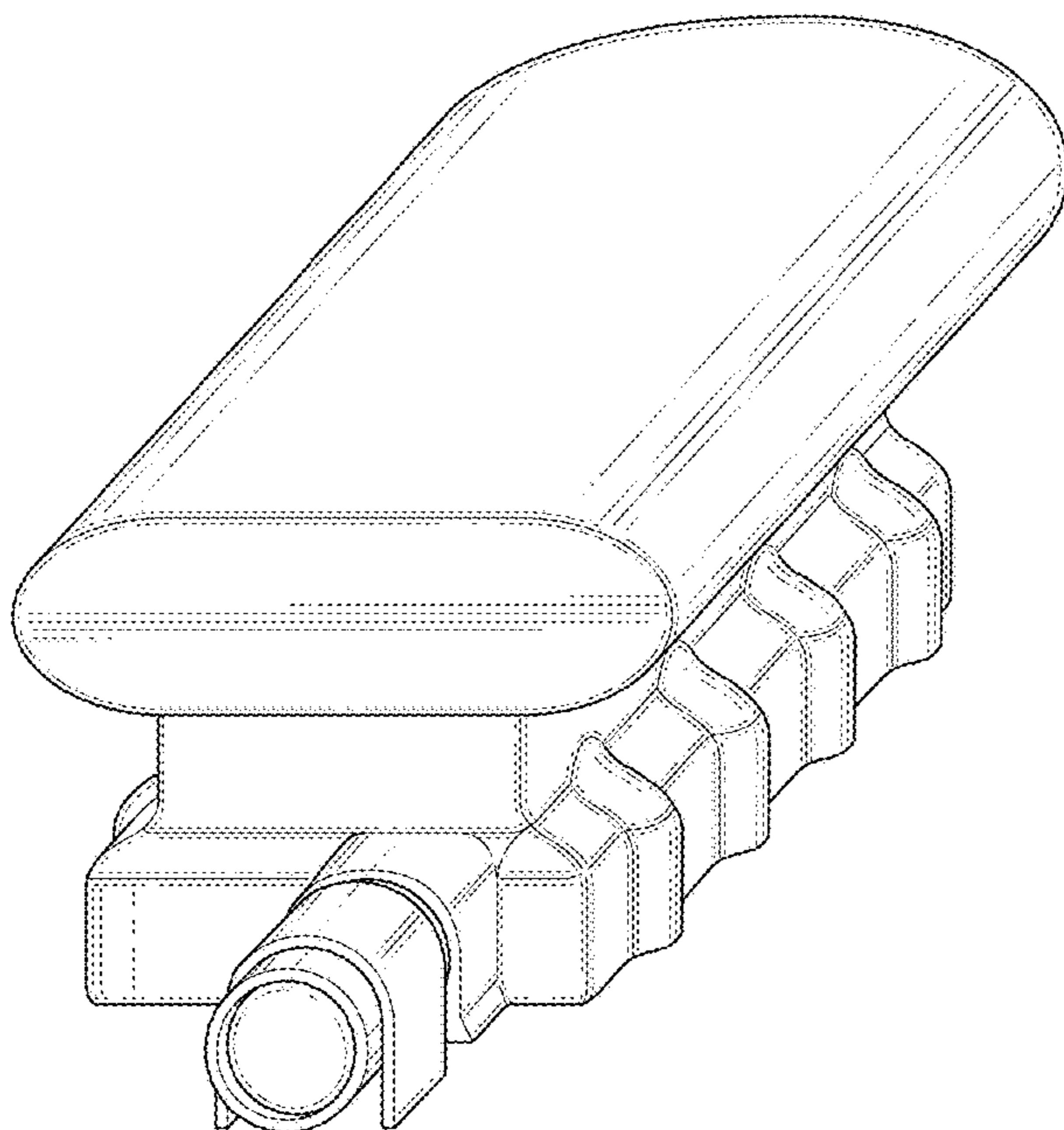
DESCRIPTION

FIG. 1 shows a perspective view of an inflatable hood ornament showing my new design; FIG. 2 shows a left side view thereof; FIG. 3 shows a right side view thereof; FIG. 4 shows a top plan view thereof; FIG. 5 shows a bottom plan view thereof; FIG. 6 shows a front view thereof; FIG. 7 shows a rear view thereof; FIG. 8 shows a perspective view of another embodiment of an inflatable hood ornament showing my new design; FIG. 9 shows a left side view thereof; FIG. 10 shows a right side view thereof; FIG. 11 shows a top plan view thereof; FIG. 12 shows a bottom plan view thereof; FIG. 13 shows a front view thereof; and, FIG. 14 shows a rear view thereof.

The shade lines in the Figures show contour and not surface ornamentation.

The broken lines shown in the Figures show portions of the inflatable hood ornament which form no part of the claimed design.

1 Claim, 8 Drawing Sheets



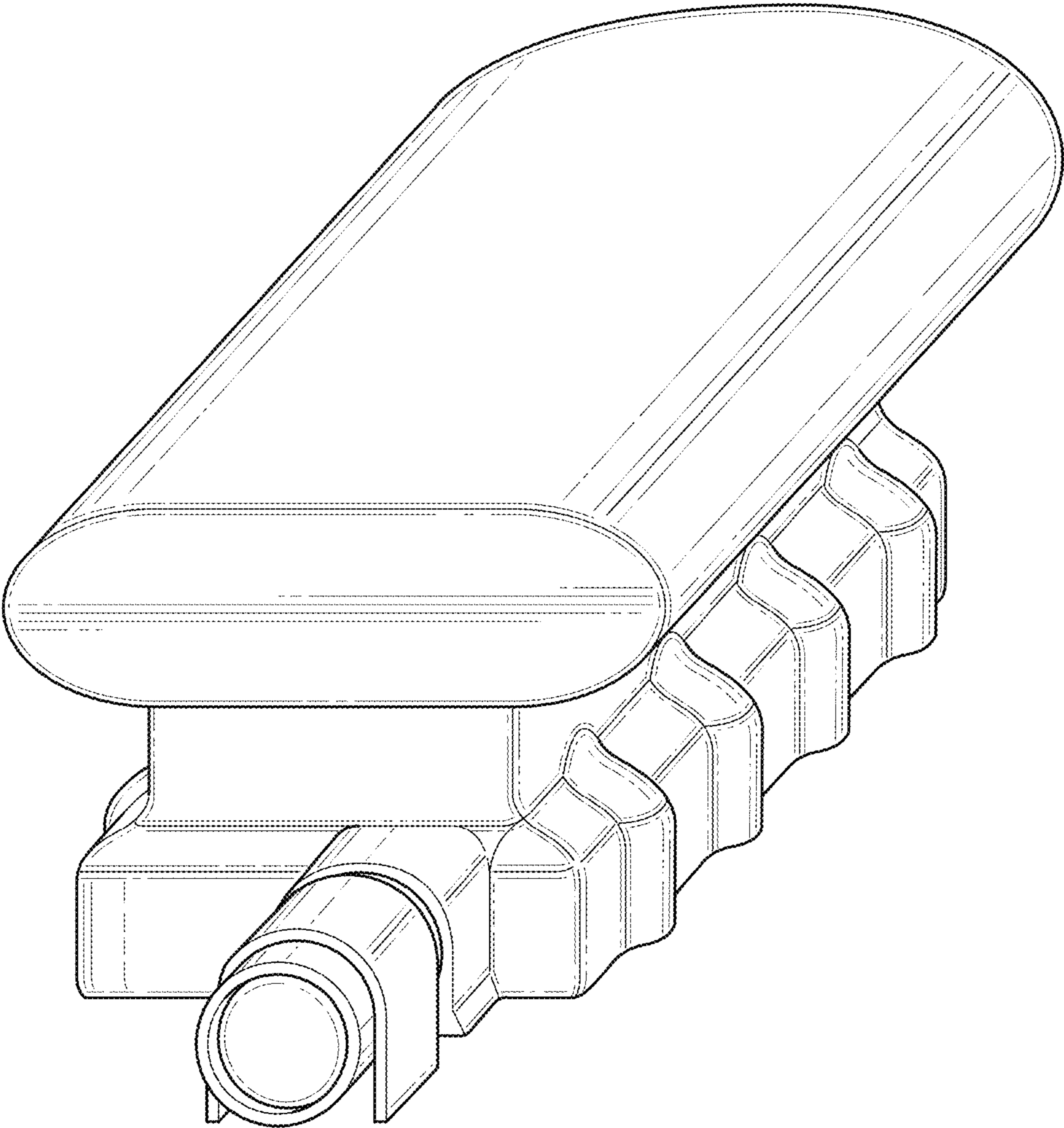


FIG. 1

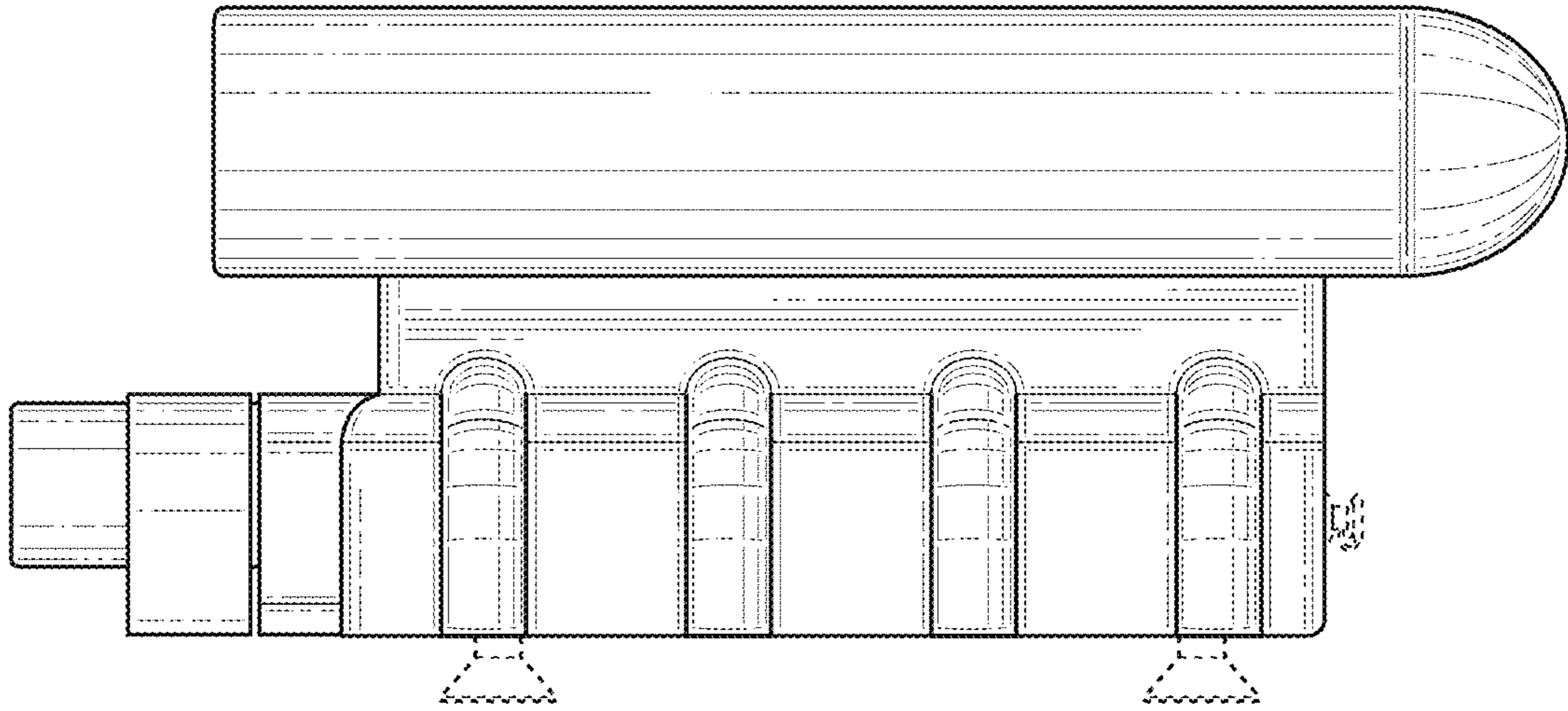


FIG. 2

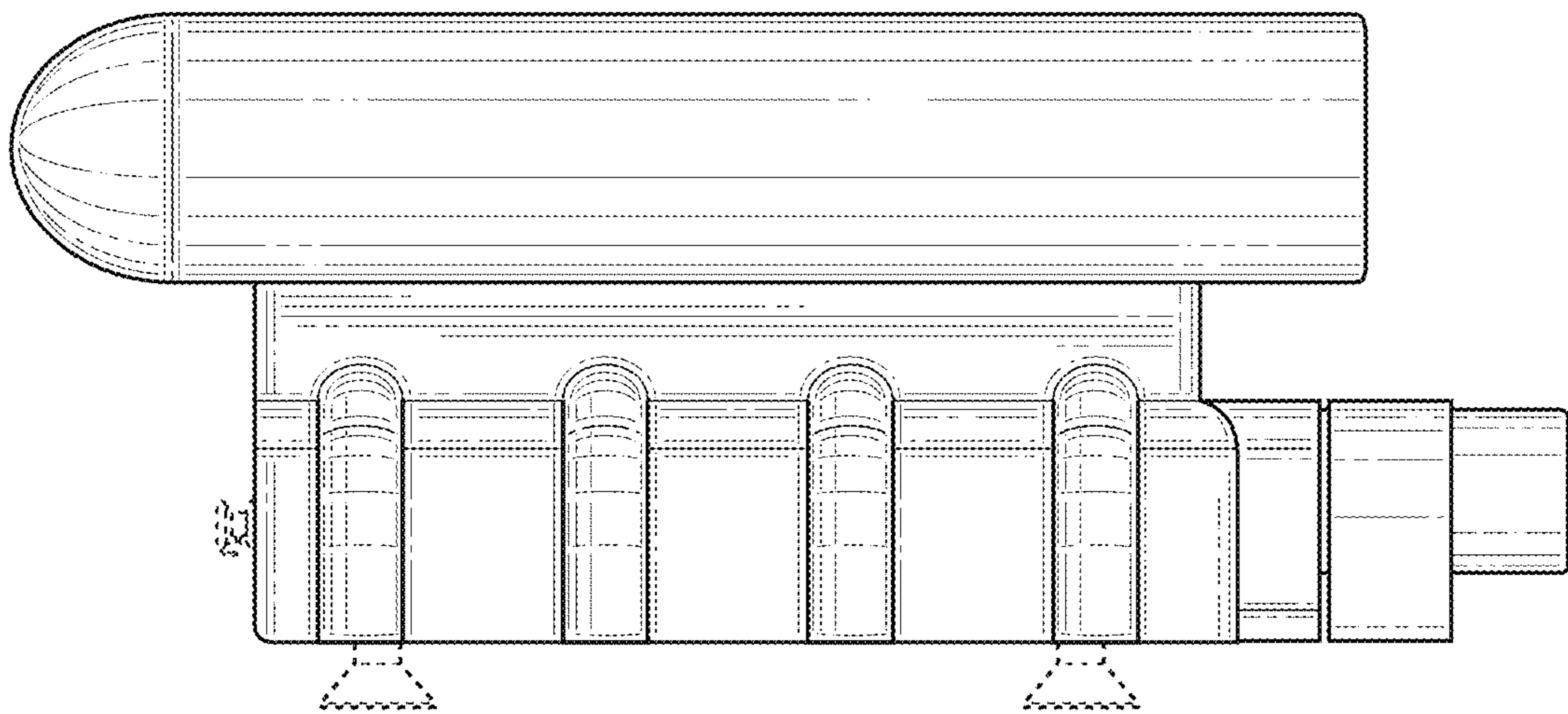


FIG. 3

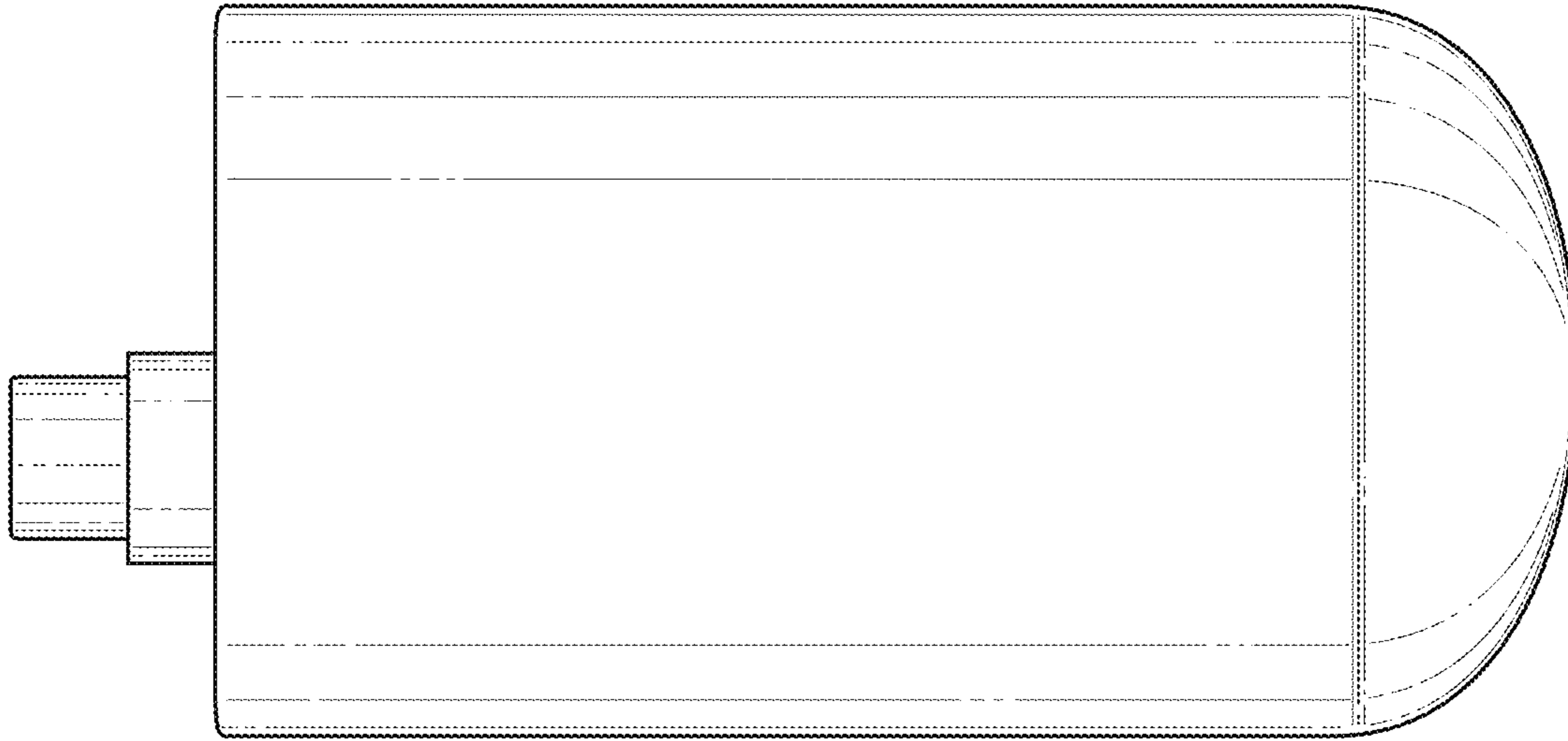


FIG. 4

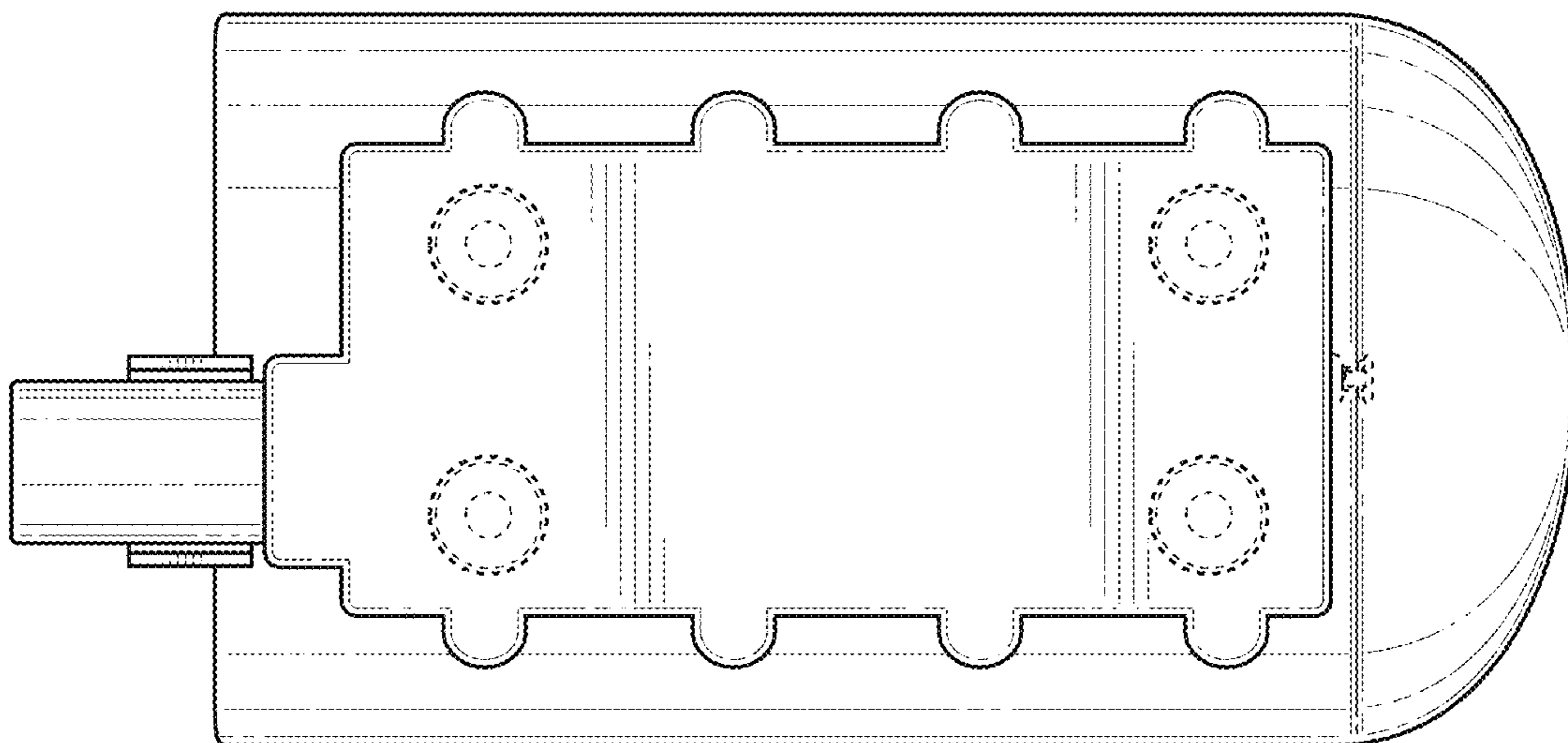


FIG. 5

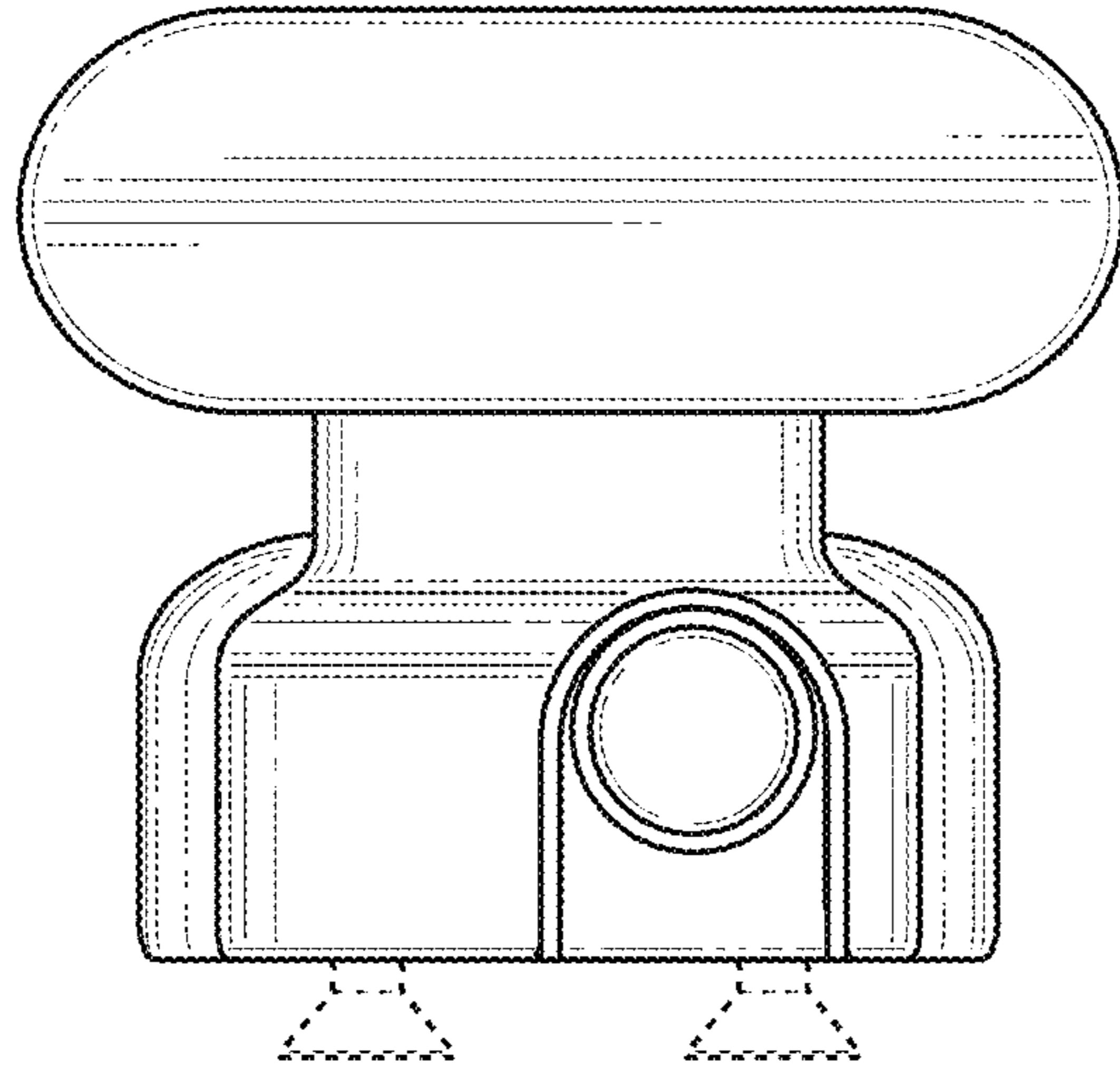


FIG. 6

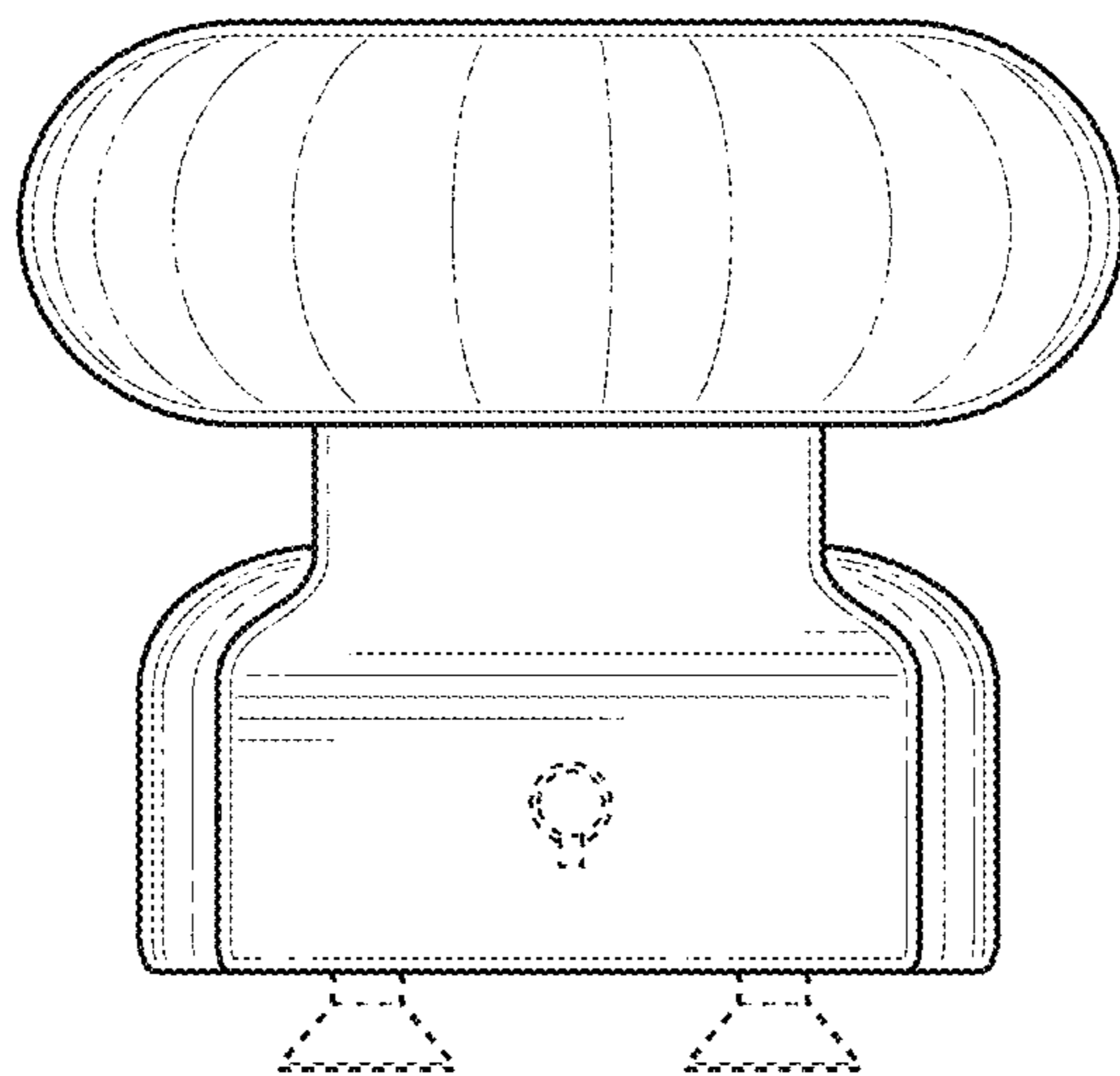


FIG. 7

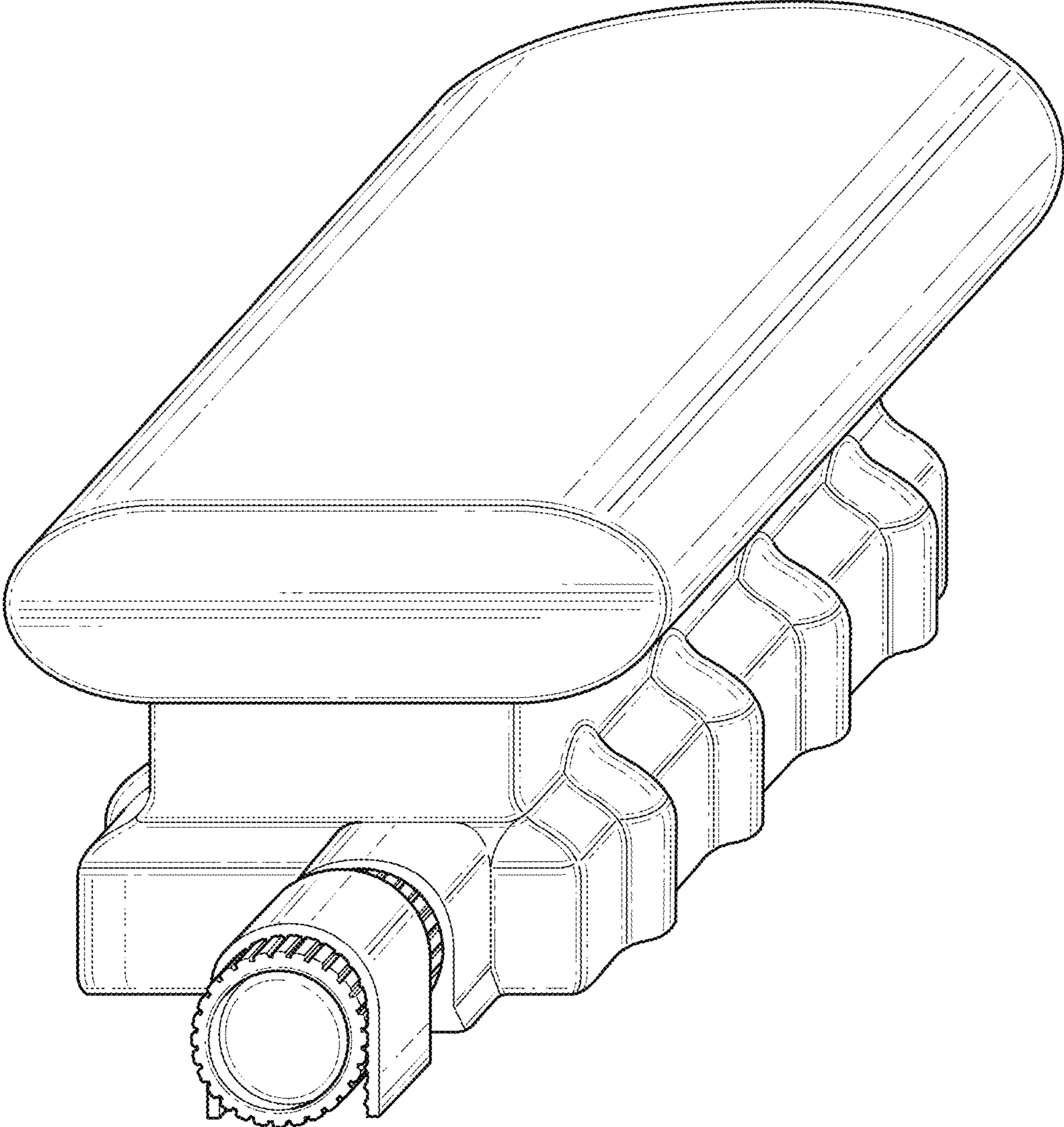


FIG. 8

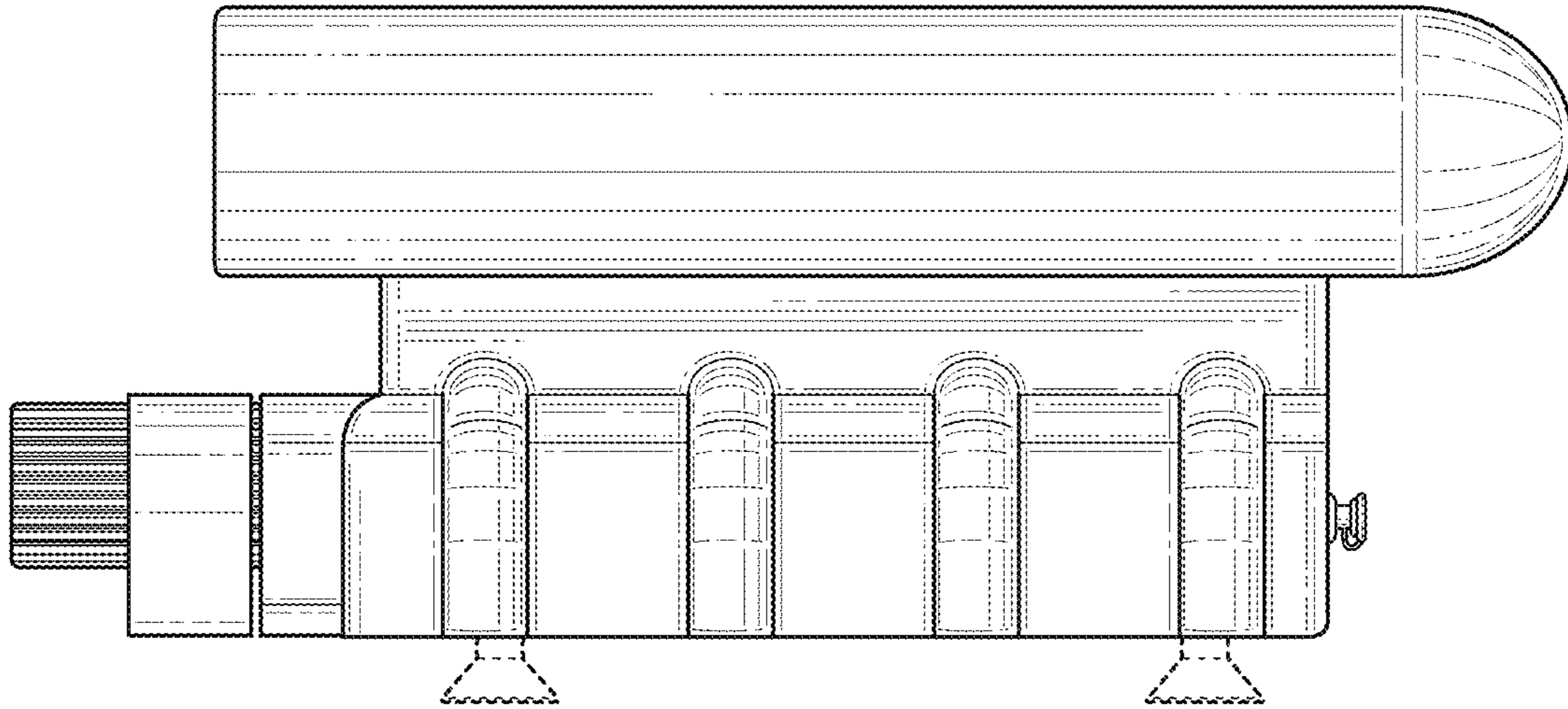


FIG. 9

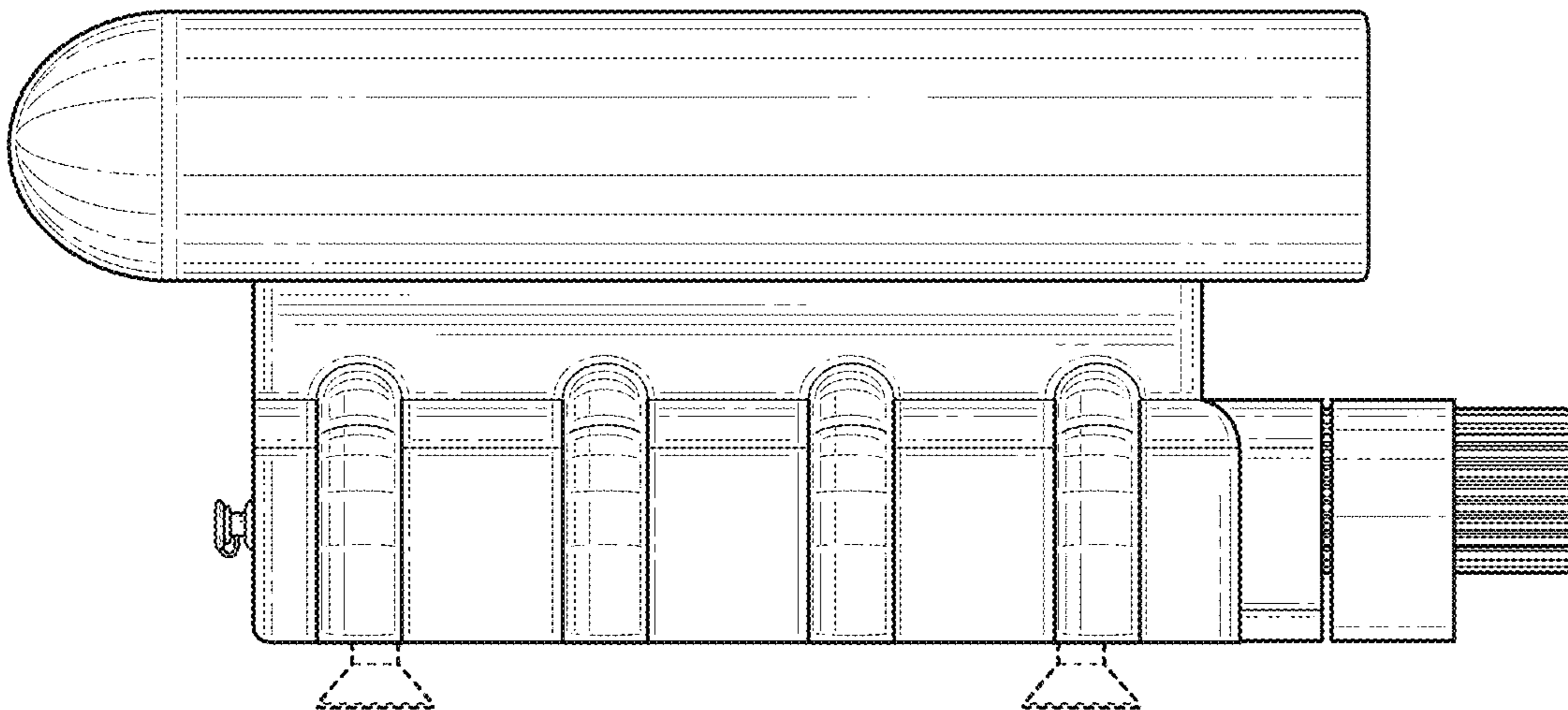


FIG. 10

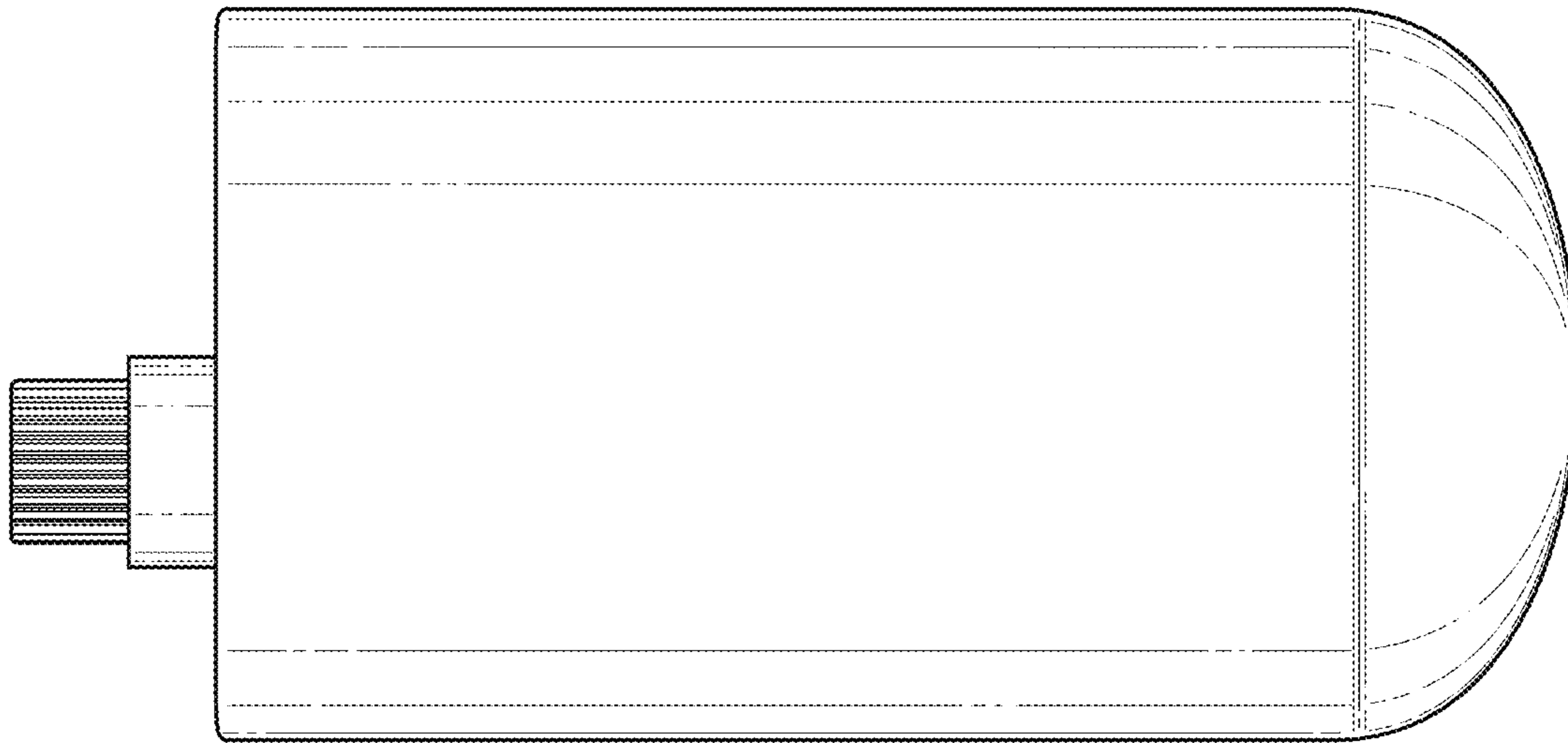


FIG. 11

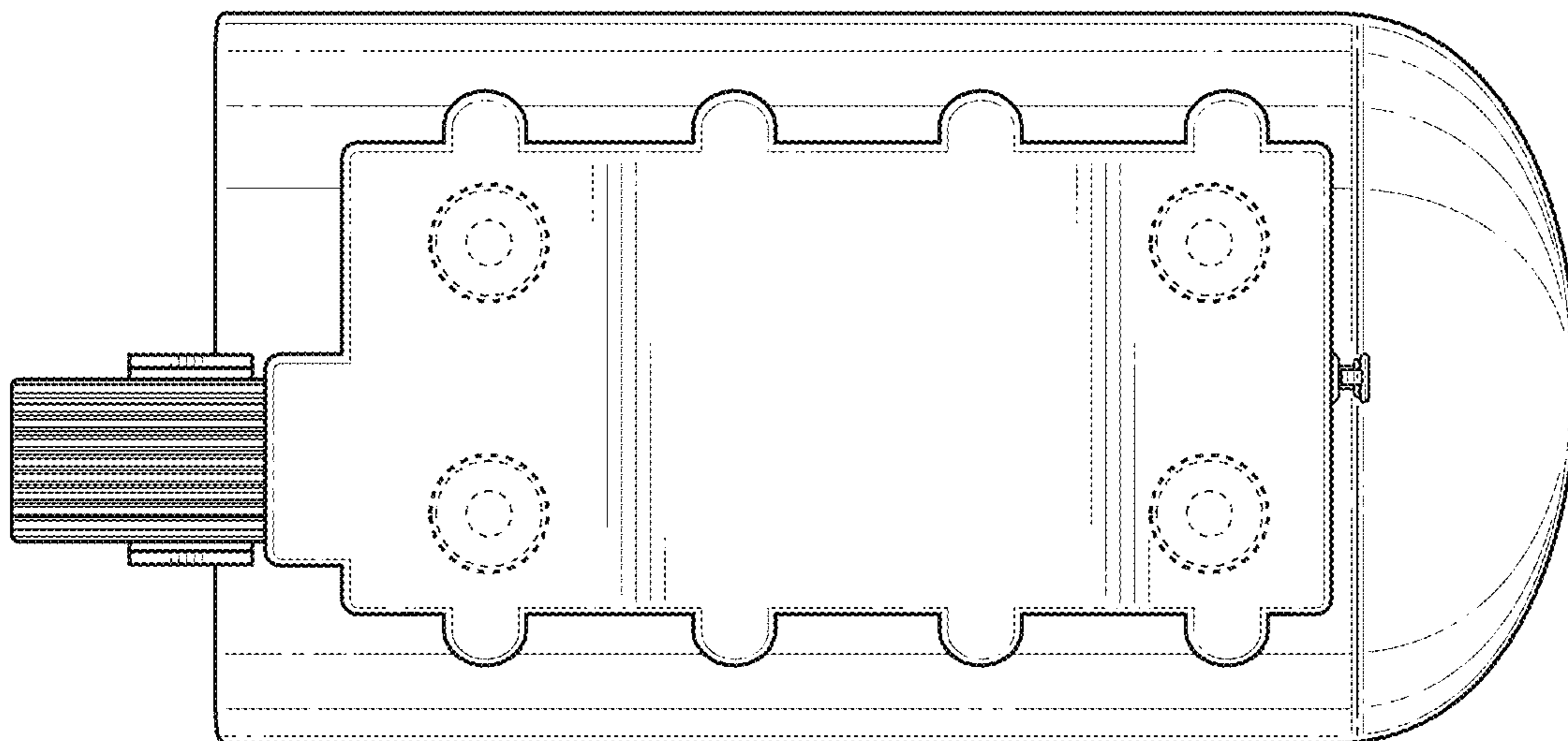


FIG. 12

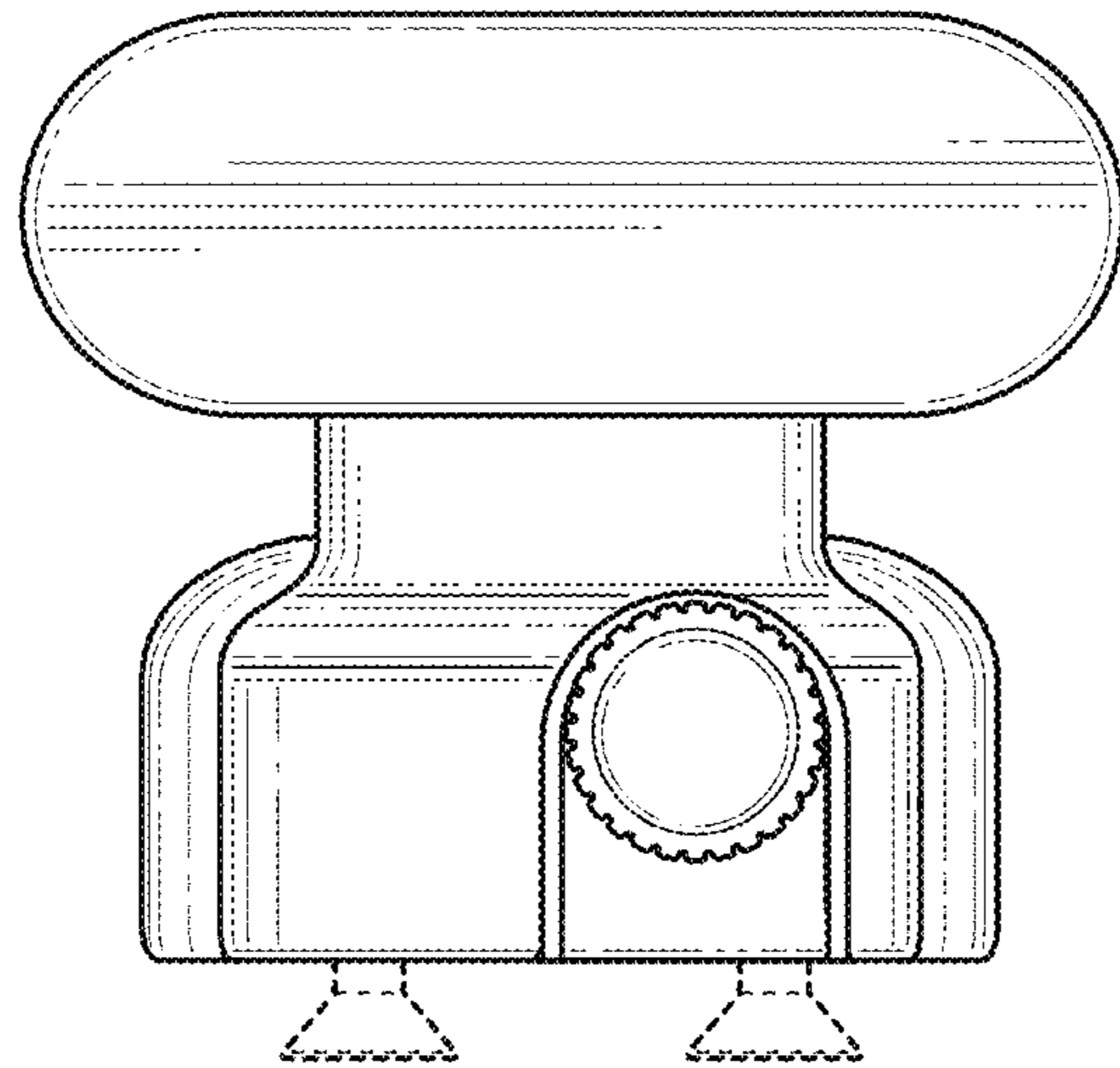


FIG. 13

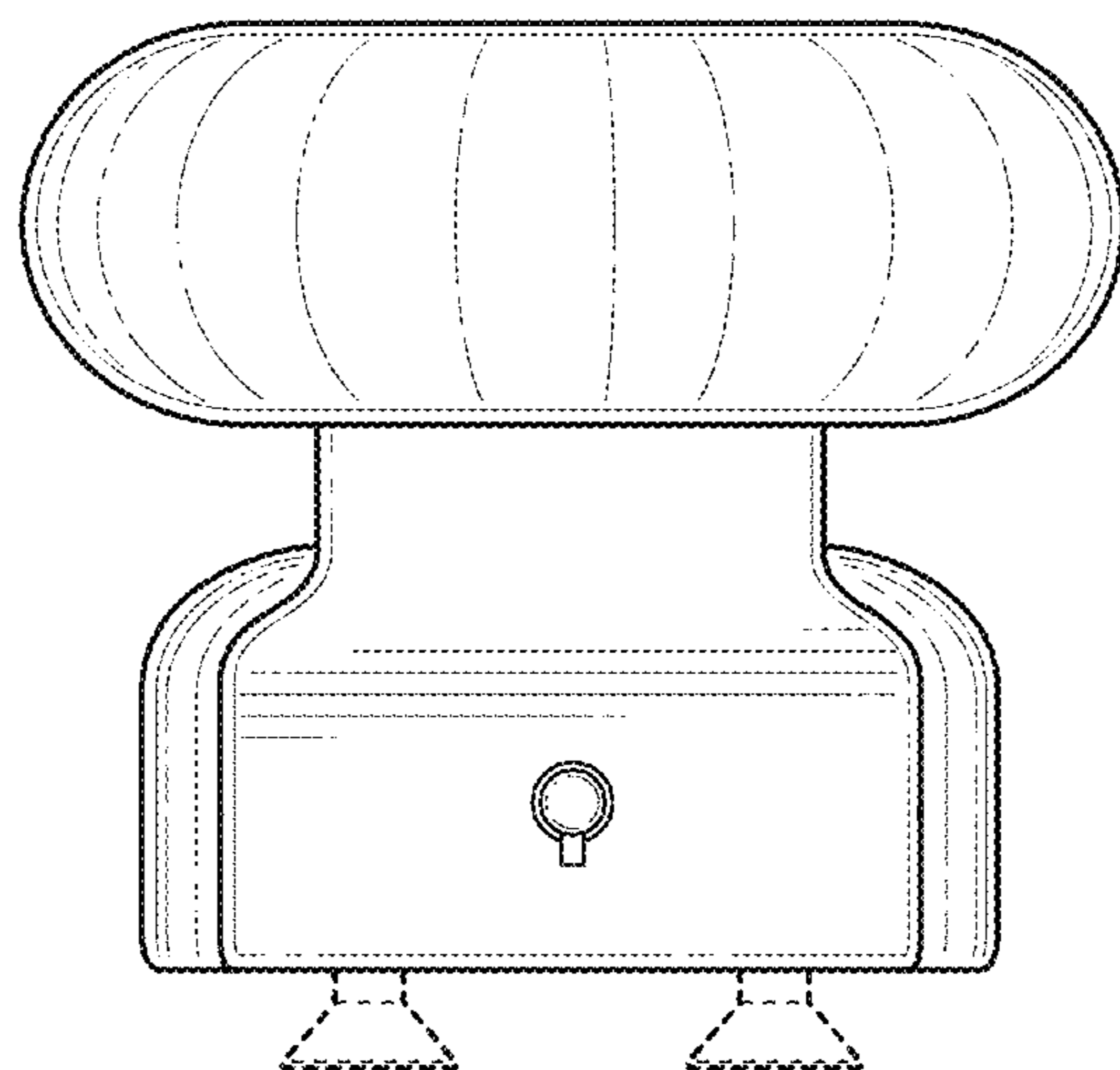


FIG. 14