



US00D803123S

(12) **United States Design Patent**
Granlund

(10) **Patent No.:** **US D803,123 S**

(45) **Date of Patent:** **** Nov. 21, 2017**

- (54) **BODY PART FOR A VEHICLE**
- (71) Applicant: **CHINA-EURO VEHICLE TECHNOLOGY AKTIEBOLAG**, Gothenburg (SE)
- (72) Inventor: **Ola Granlund**, Gothenburg (SE)
- (73) Assignee: **CHINA-EURO VEHICLE TECHNOLOGY**, Gothenburg (SE)

D699,656 S *	2/2014	Watabe	D12/196
D726,615 S *	4/2015	Wolff	D12/196
D736,128 S *	8/2015	Blanski	D12/196
D751,014 S *	3/2016	Wolff	D12/196
D761,177 S *	7/2016	Behmer	D12/196
D764,995 S *	8/2016	Bucher	D12/196
D766,795 S *	9/2016	Kim	D12/196
D769,782 S *	10/2016	Kozub	D12/196
D779,406 S *	2/2017	Park	D12/196
D781,195 S *	3/2017	Yu	D12/196
D783,482 S *	4/2017	Smith	D12/196
D784,857 S *	4/2017	Ishii	D12/91
2016/0347155 A1 *	12/2016	Kuntze	B60J 5/101

(**) Term: **15 Years**

* cited by examiner

(21) Appl. No.: **29/577,984**

Primary Examiner — Manpreet Matharu

(22) Filed: **Sep. 16, 2016**

Assistant Examiner — Yolanda Robinson

(30) **Foreign Application Priority Data**

(74) *Attorney, Agent, or Firm* — Lee & Hayes, PLLC

Mar. 18, 2016 (EM) DM/092114

(51) **LOC (10) Cl.** **12-16**

(52) **U.S. Cl.**
USPC **D12/196**

(58) **Field of Classification Search**
USPC D12/86, 88, 90, 91, 92, 181, 184, 196,
D12/400; D21/424, 433, 434; 296/181,
296/0.1, 181.2, 181.5
CPC B62D 24/00; B62D 25/00; B62D 25/02;
B62D 25/03; B62D 33/0273; B62D
233/033; B62D 33/037; B62D 24/02;
B62D 25/003; B62D 25/18; B62D 25/027
See application file for complete search history.

(56) **References Cited**

U.S. PATENT DOCUMENTS

8,403,399 B2 *	3/2013	Kuntze	B60J 5/107
				296/146.6
D695,180 S *	12/2013	Hildebrand	D12/196

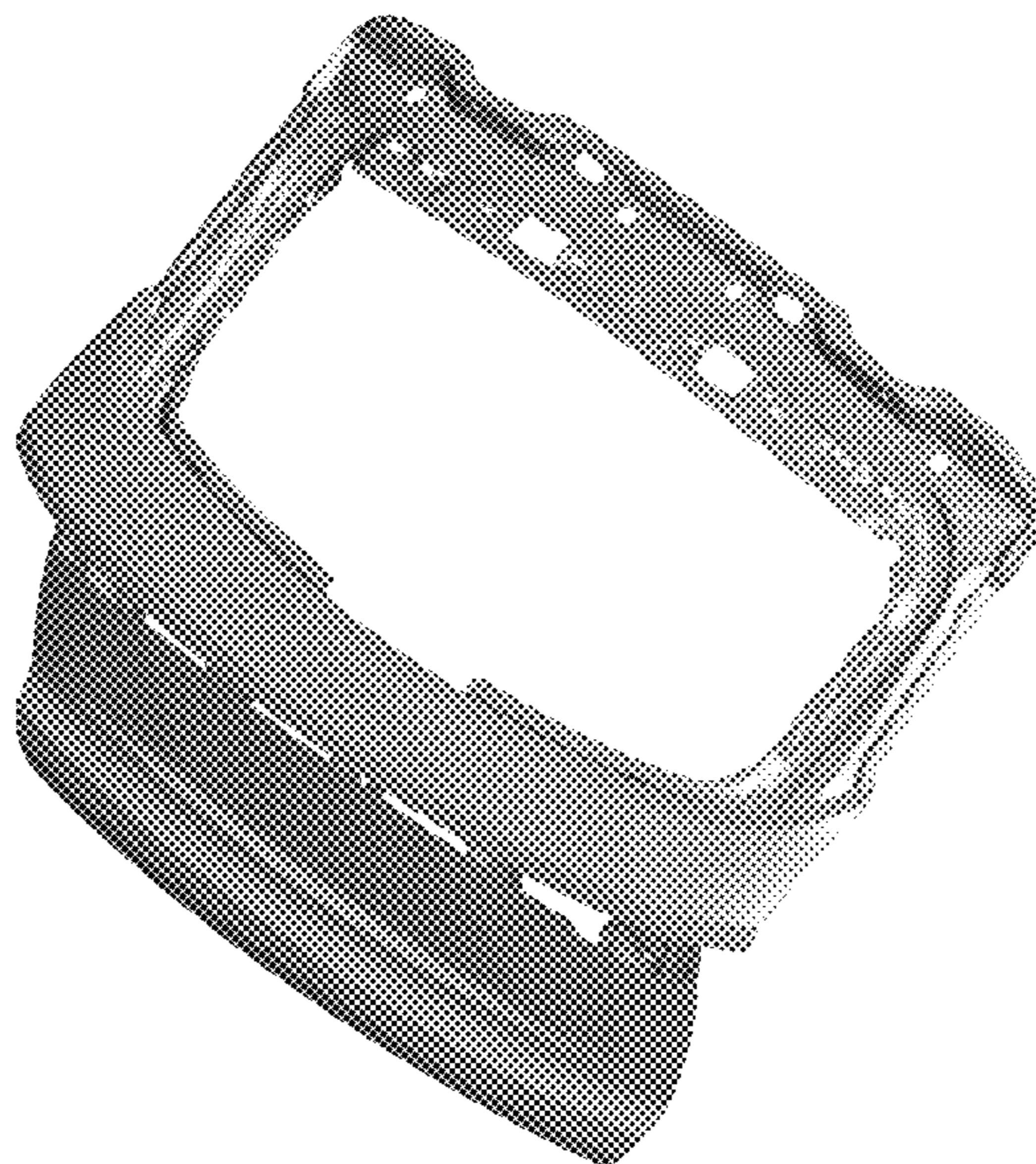
(57) **CLAIM**

The ornamental design for a body part for a vehicle, as shown and described.

DESCRIPTION

FIG. 1 is a perspective view of a body part for a vehicle, taken from the front.
 FIG. 2 is a front view of the body part for a vehicle of FIG. 1.
 FIG. 3 is a right-side view of the body part for a vehicle of FIG. 1.
 FIG. 4 is a back view of the body part for a vehicle of FIG. 1.
 FIG. 5 is a left-side view of the body part for a vehicle of FIG. 1.
 FIG. 6 is a top view of the body part for a vehicle of FIG. 1; and,
 FIG. 7 is a bottom view of the body part for a vehicle of FIG. 1.

1 Claim, 7 Drawing Sheets



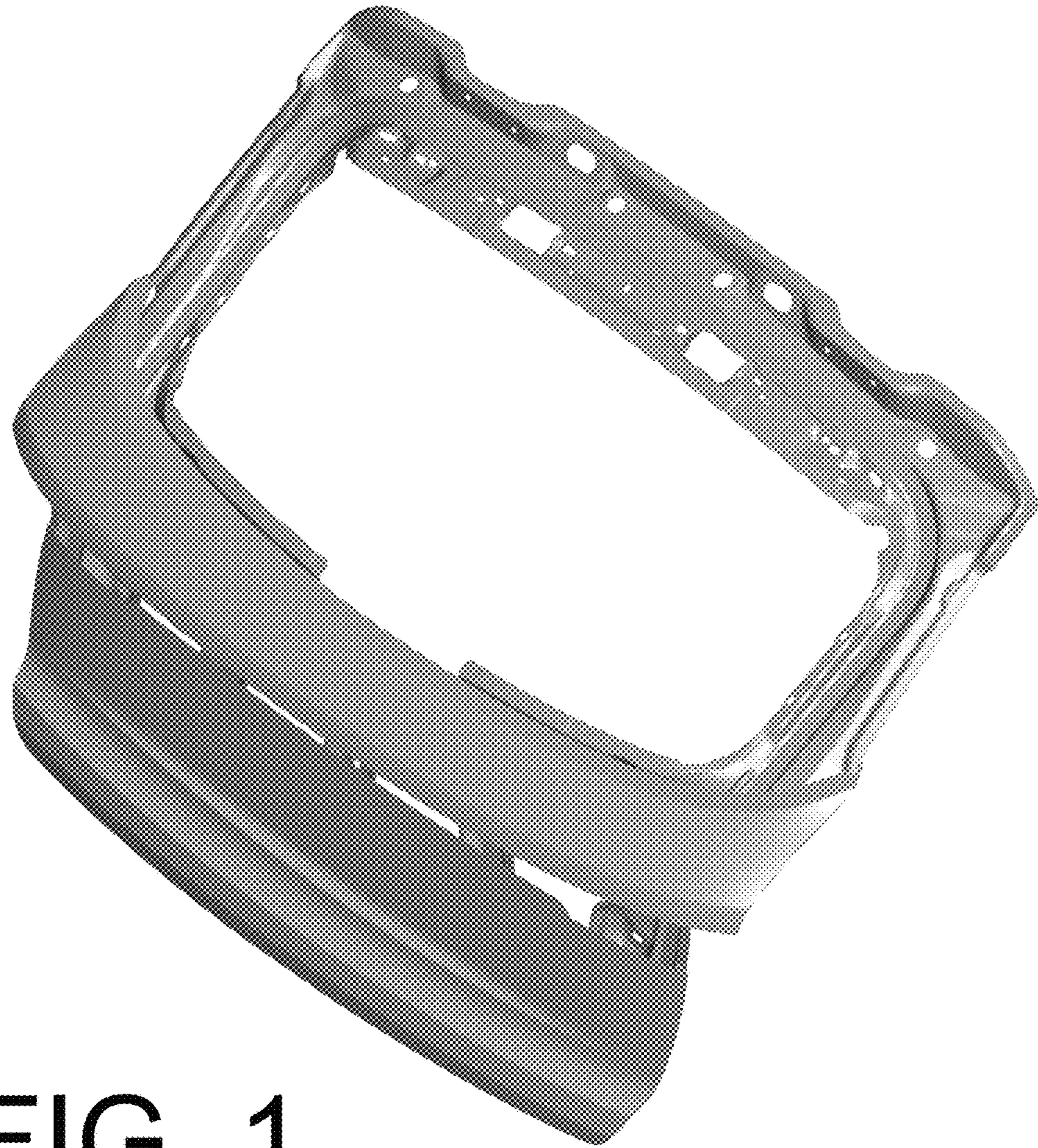


FIG. 1

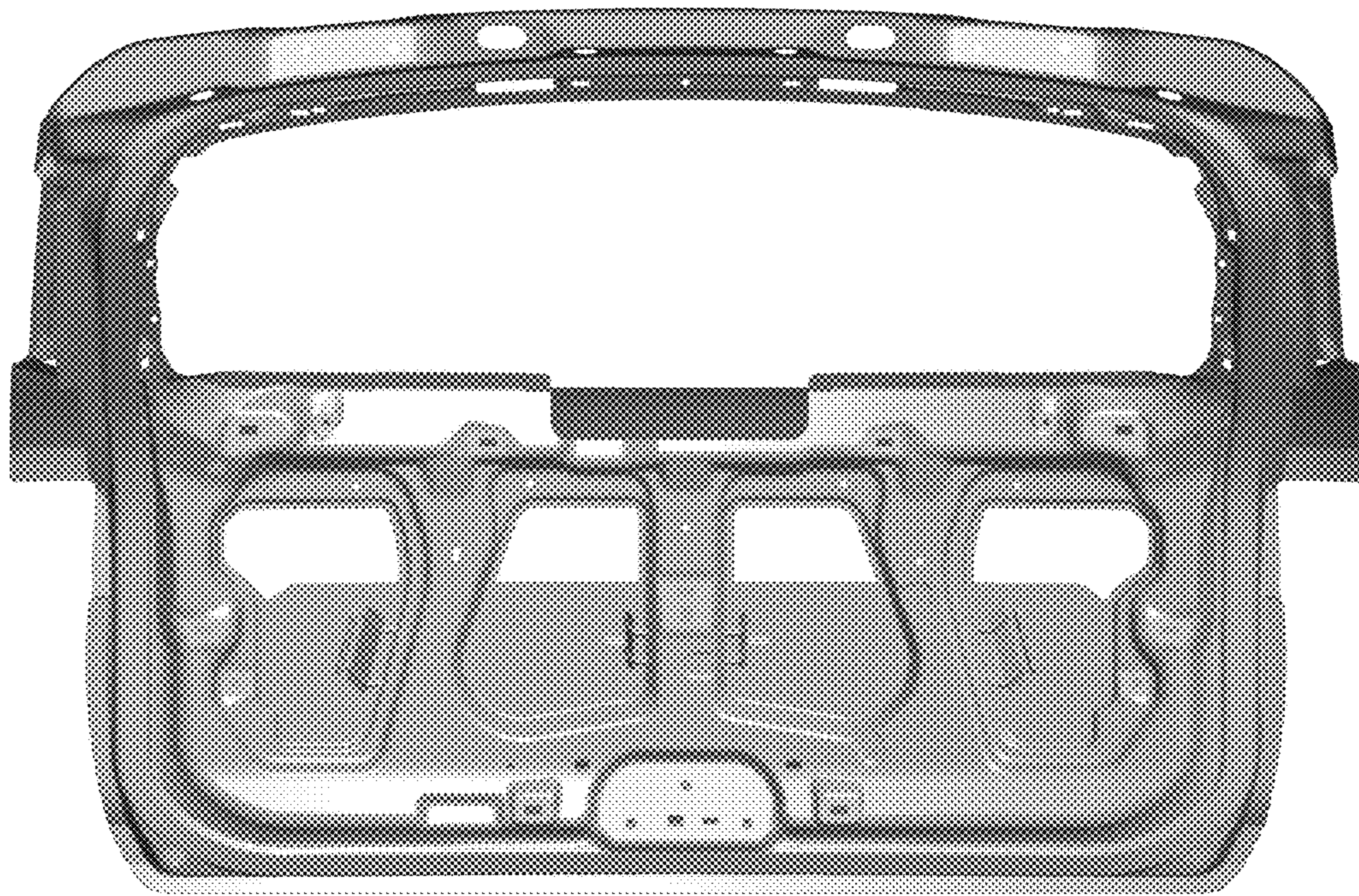


FIG. 2



FIG. 3

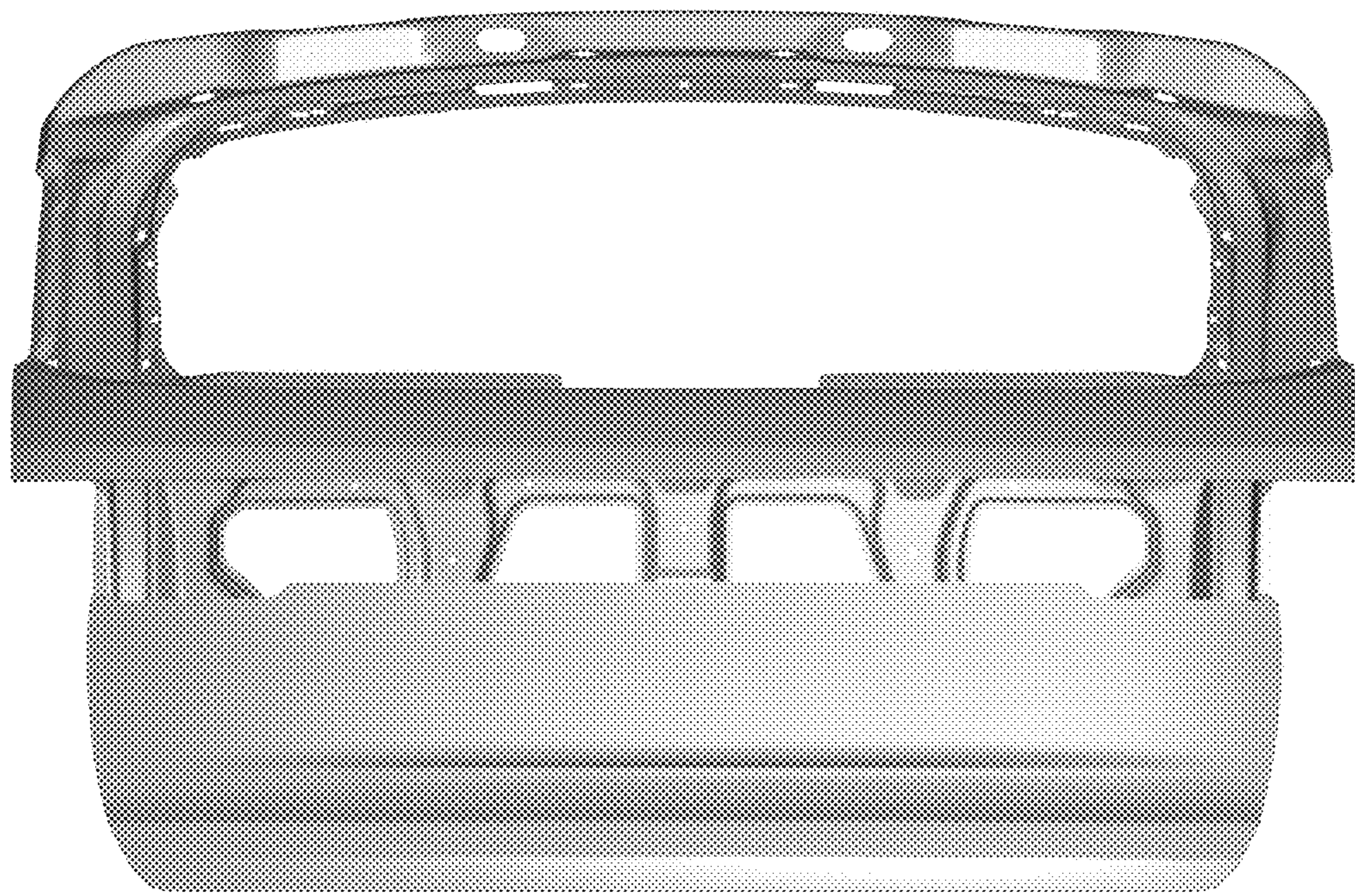


FIG. 4

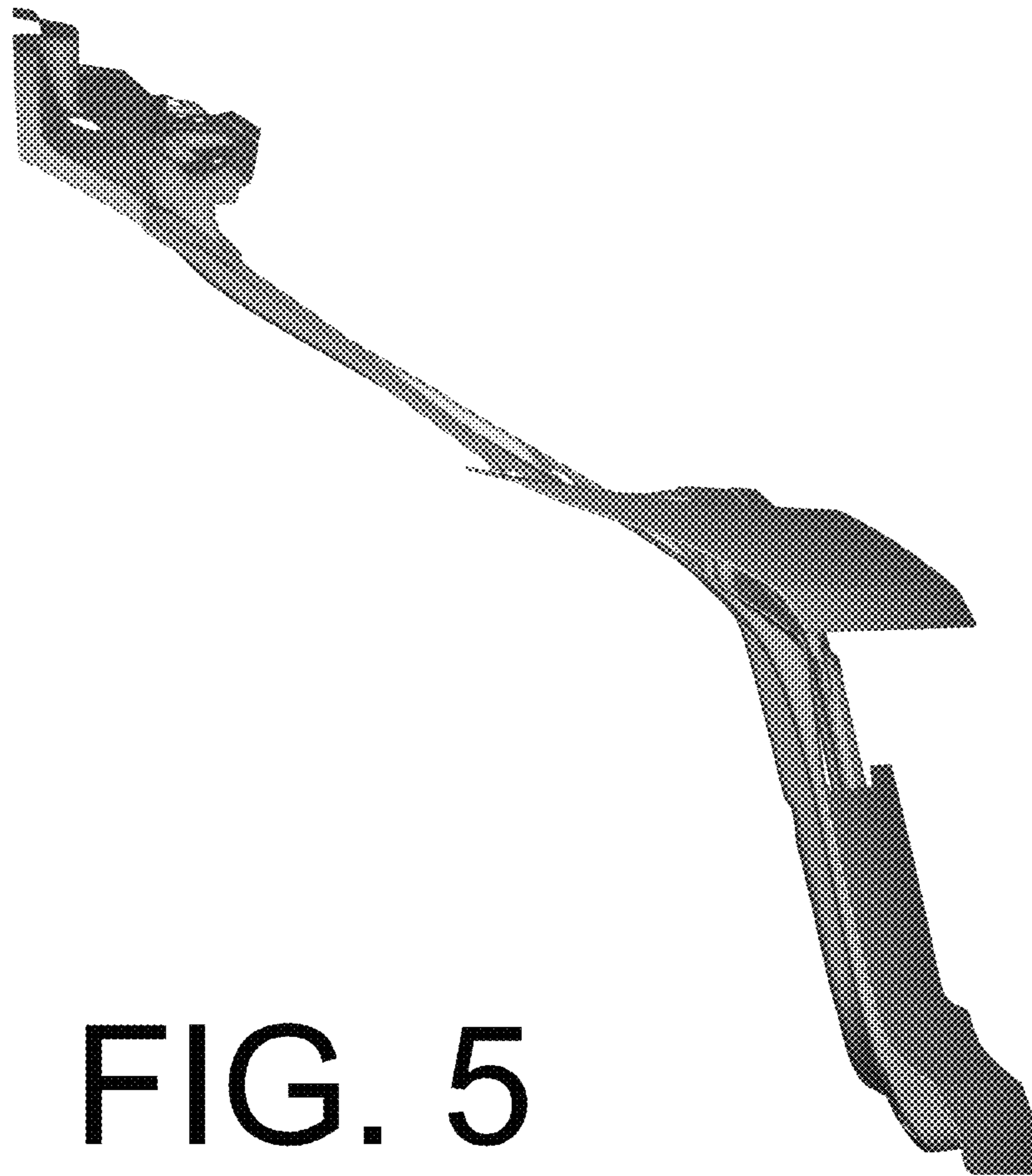


FIG. 5

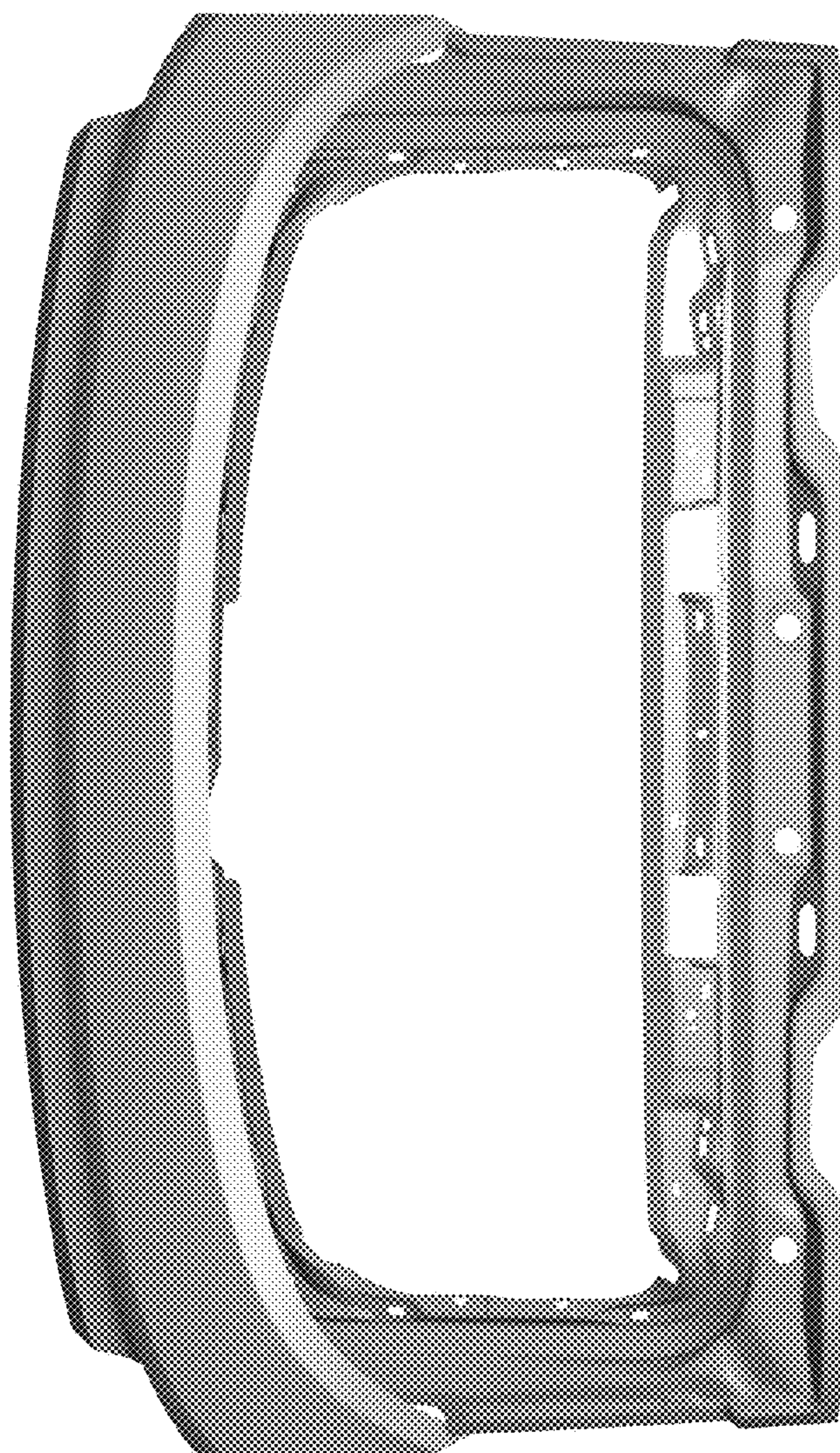


FIG. 6

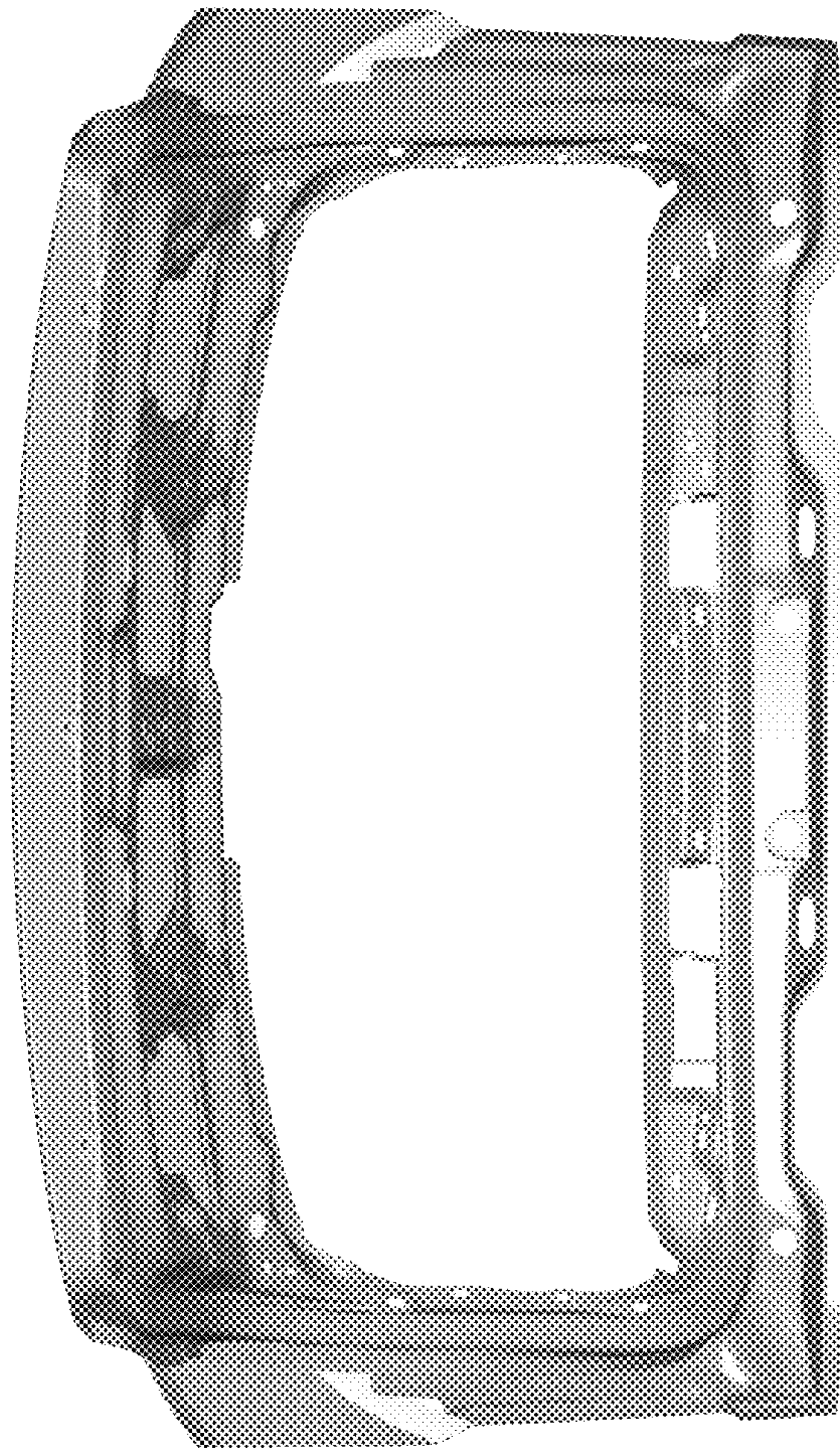


FIG. 7