



US00D803117S

(12) **United States Design Patent** (10) **Patent No.:** **US D803,117 S**  
**Carminati et al.** (45) **Date of Patent:** **\*\* Nov. 21, 2017**

(54) **DISC BRAKE**

(71) Applicant: **FRENI BREMBO S.p.A.**, Curno (Bergamo) (IT)

(72) Inventors: **Fabiano Carminati**, Curno (IT); **Simone Biondo**, Curno (IT)

(73) Assignee: **FRENI BREMBO S.P.A.**, Curno (Bergamo) (IT)

(\*\*) Term: **14 Years**

(21) Appl. No.: **29/516,712**

(22) Filed: **Feb. 5, 2015**

(30) **Foreign Application Priority Data**

Aug. 5, 2014 (IT) ..... BG2014O0009

(51) **LOC (10) Cl.** ..... **12-16**

(52) **U.S. Cl.**  
USPC ..... **D12/180**

(58) **Field of Classification Search**

USPC ..... D12/14, 106, 114, 118, 122, 161, 162, D12/179, 180, 207, 217, 400  
CPC ... B60T 1/06; B60T 7/00; B60T 8/265; B60T 11/00; B60T 11/103; B60T 13/00; B60T 13/66; B60T 17/223; B60T 83/255; B60T 2201/00; B60T 2201/03; B60T 2260/00; B60T 2270/00; B60T 2270/82; B60T 2270/83; B60T 2270/84; B62K 23/06; B62L 1/02; B62L 3/02; B62D 13/025; B62D 21/18; B62D 53/045; B62D 63/04; B62D 65/02; B62D 65/18; F16D 55/00; F16D 55/226; F16D 65/00; F16D 65/092; F16D 65/095; F16D 65/097; F16D 65/18; F16D 65/38; F16D 65/847; B32B 3/06

See application file for complete search history.

(56) **References Cited**

U.S. PATENT DOCUMENTS

1,647,294 A \* 11/1927 Hunyady ..... B60T 1/06 188/262  
3,366,202 A \* 1/1968 James ..... F16D 65/0006 188/218 A  
3,391,763 A \* 7/1968 Severson ..... F16D 65/125 188/218 XL  
D317,746 S \* 6/1991 Carter, III ..... D12/204  
5,299,667 A \* 4/1994 Hammond ..... F16D 13/64 188/218 XL

(Continued)

OTHER PUBLICATIONS

2013 F1 Red Bull Racing Brake Duct, image post date 2013, site visited Dec. 27, 2016, (online), <[https://www.reddit.com/r/MachinePorn/comments/2b7p9z/2013\\_f1\\_red\\_bull\\_racing\\_brake\\_duct\\_1900x1267/](https://www.reddit.com/r/MachinePorn/comments/2b7p9z/2013_f1_red_bull_racing_brake_duct_1900x1267/)>.\*

(Continued)

*Primary Examiner* — Kevin Rudzinski

*Assistant Examiner* — Sean D Lough

(74) *Attorney, Agent, or Firm* — Thomas | Horstemeyer, LLP

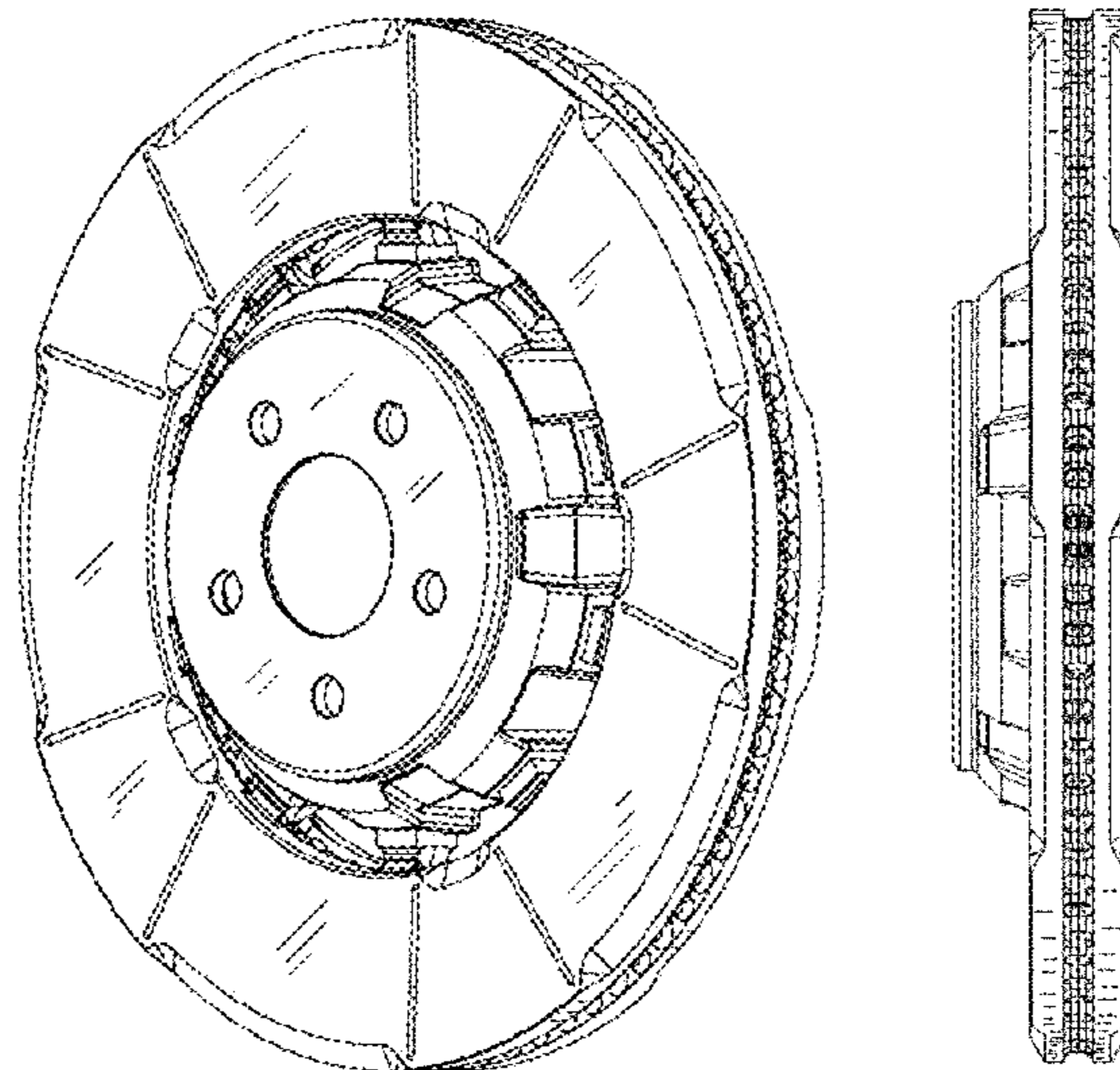
(57) **CLAIM**

The ornamental design for a disc brake, as shown and described.

**DESCRIPTION**

FIG. 1 is a perspective view of our new disc brake; FIG. 2 is another perspective view of our new disc brake, from the same side as that of FIG. 1 and at a different angle; FIG. 3 is a side elevation view of our new disc brake of FIG. 1; FIG. 4 is another side elevation view of our new disc brake of FIG. 1, the opposite side being a mirror image thereof; and, FIG. 5 is a side elevation view of our new disc brake, from a side opposite that of FIG. 3.

**1 Claim, 5 Drawing Sheets**



(56)

References Cited

U.S. PATENT DOCUMENTS

6,076,896 A \* 6/2000 Bertetti ..... B60B 27/00  
188/18 A  
6,161,660 A \* 12/2000 Suga ..... F16D 65/0006  
188/218 XL  
D442,904 S \* 5/2001 Herrera ..... D12/207  
D446,756 S \* 8/2001 York ..... D12/180  
6,283,255 B1 \* 9/2001 Gardner ..... B60T 1/065  
188/18 A  
6,318,513 B1 \* 11/2001 Dietrich ..... B60T 13/741  
188/156  
D456,326 S \* 4/2002 York ..... D12/180  
D458,198 S \* 6/2002 Oberti ..... D12/180  
D458,567 S \* 6/2002 Oberti ..... D12/180  
D458,882 S \* 6/2002 Oberti ..... D12/180  
D459,282 S \* 6/2002 Oberti ..... D12/180  
6,405,839 B1 \* 6/2002 Ballinger ..... F16D 65/0006  
188/218 XL  
D465,179 S \* 11/2002 Ballinger ..... D12/180  
D471,140 S \* 3/2003 Oberti ..... D12/180  
D482,643 S \* 11/2003 Gavin ..... D12/180  
D484,836 S \* 1/2004 Gavin ..... D12/180  
6,797,094 B2 \* 9/2004 Pacchiana ..... C04B 35/573  
156/89.11  
6,978,866 B2 \* 12/2005 Niebling ..... F16D 65/12  
188/18 A  
D513,722 S \* 1/2006 Aloy ..... D12/180  
7,104,368 B2 \* 9/2006 Cornolti ..... F16D 65/123  
188/18 A  
7,219,777 B2 \* 5/2007 Lin ..... F16D 65/12  
188/218 XL  
D565,487 S \* 4/2008 Zhang ..... D12/180  
D603,314 S \* 11/2009 Schmitz ..... D12/180  
D605,099 S \* 12/2009 Schmitz ..... D12/180  
D605,570 S \* 12/2009 Schmitz ..... D12/180  
D607,795 S \* 1/2010 Schmitz ..... D12/180  
D607,796 S \* 1/2010 Schmitz ..... D12/180  
D608,706 S \* 1/2010 Schmitz ..... D12/180  
D609,147 S \* 2/2010 Schmitz ..... D12/180  
D619,521 S \* 7/2010 Schmitz ..... D12/180  
D624,472 S \* 9/2010 Schmitz ..... D12/180  
7,934,777 B1 \* 5/2011 Yuhas ..... B60B 3/16  
188/18 A  
D640,621 S \* 6/2011 Schmitz ..... D12/180  
D640,622 S \* 6/2011 Schmitz ..... D12/180  
D640,960 S \* 7/2011 Schmitz ..... D12/180  
D647,442 S \* 10/2011 Schmitz ..... D12/180  
D664,487 S \* 7/2012 Perry ..... D12/180  
8,292,046 B2 \* 10/2012 Masoni ..... B60B 27/00  
188/18 A  
8,371,422 B2 \* 2/2013 Frost ..... F16D 55/22  
188/152  
D690,634 S \* 10/2013 Joseph ..... 188/18 A  
D691,528 S \* 10/2013 Joseph ..... D12/180  
D691,556 S \* 10/2013 Lin ..... D13/122  
D719,197 S \* 12/2014 Tsuchiya ..... D15/138  
D719,198 S \* 12/2014 Tsuchiya ..... D15/138  
9,080,625 B2 \* 7/2015 Oberti ..... F16D 65/128  
D747,244 S \* 1/2016 Nosworthy ..... D12/180  
9,255,617 B2 \* 2/2016 Ronchi ..... F16D 65/0006

D753,037 S \* 4/2016 Pasfield ..... D12/180  
9,371,875 B2 \* 6/2016 Noriega  
Gonzalez ..... F16D 65/847  
2003/0205438 A1 \* 11/2003 Hartsock ..... B60T 13/74  
188/342  
2004/0200678 A1 \* 10/2004 Lin ..... F16D 65/0031  
188/218 XL  
2004/0238308 A1 \* 12/2004 Cummins ..... F16D 11/10  
192/69.8  
2005/0161295 A1 \* 7/2005 Nilsson ..... B60T 8/17636  
188/158  
2005/0183909 A1 \* 8/2005 Rau, III ..... F16D 65/0006  
188/218 XL  
2006/0076200 A1 \* 4/2006 Dessouki ..... F16D 65/0018  
188/218 XL  
2007/0181390 A1 \* 8/2007 Korm ..... F16D 65/128  
188/218 XL  
2007/0199778 A1 \* 8/2007 Lee ..... F16D 65/12  
188/218 XL  
2008/0142319 A1 \* 6/2008 Manter ..... B23K 1/0018  
188/218 XL  
2008/0292234 A1 \* 11/2008 Wada ..... F16F 15/0237  
384/582  
2009/0026027 A1 \* 1/2009 Martino ..... B22F 5/106  
188/218 XL  
2009/0211856 A1 \* 8/2009 Sollenskog ..... F16D 65/12  
188/18 A  
2012/0138398 A1 \* 6/2012 Nadal Aloy ..... F16D 65/12  
188/218 XL  
2012/0168266 A1 \* 7/2012 Veneziano ..... F16D 65/12  
188/218 XL  
2012/0186919 A1 \* 7/2012 Hanna ..... F16D 65/12  
188/218 XL  
2012/0255820 A1 \* 10/2012 McCord ..... F16D 65/12  
188/218 XL  
2013/0133998 A1 \* 5/2013 Maronati ..... F16D 65/123  
188/218 XL  
2013/0327602 A1 \* 12/2013 Barber ..... B22C 9/02  
188/218 XL  
2015/0015057 A1 \* 1/2015 Oberti ..... F16D 65/123  
301/6.8  
2015/0021128 A1 \* 1/2015 White ..... F16D 65/128  
188/218 XL  
2015/0267765 A1 \* 9/2015 Kim ..... F16D 65/125  
192/107 M  
2016/0039436 A1 \* 2/2016 Bhagwatkar ..... A63H 19/24  
348/148

OTHER PUBLICATIONS

Wilwood 16 inch x 1.375 inch GT rotors Gas slotted, image post date May 17, 2011, site visited Dec. 27, 2016, (online), <<http://www.powerstroke.org/forum/vendor-jungle/204307-big-brake-kits-now-available.html>>.\*  
Zero Offset Wide 5 Disc Brake Kit, image post date Nov. 18, 2013, site visited Dec. 27, 2016, (online), <<http://vwparts.aircooled.net/v/vspfiles/photos/401498-2.jpg>>.\*  
Rotating brake disc, image post date 2002, site visited Dec. 27, 2016, (online), <<http://www.dictionary.com/browse/disc-brake>>.\*

\* cited by examiner

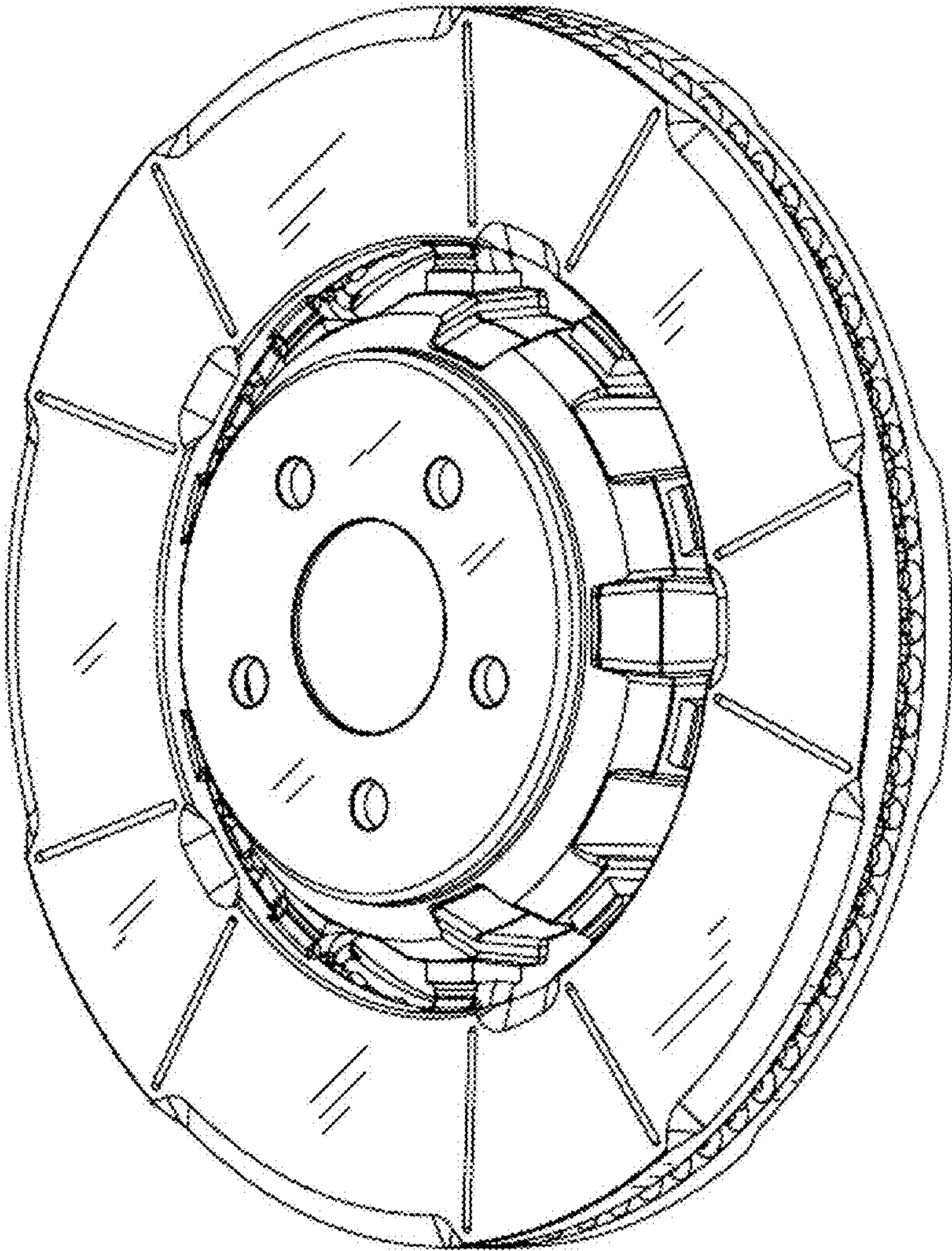


FIG. 1

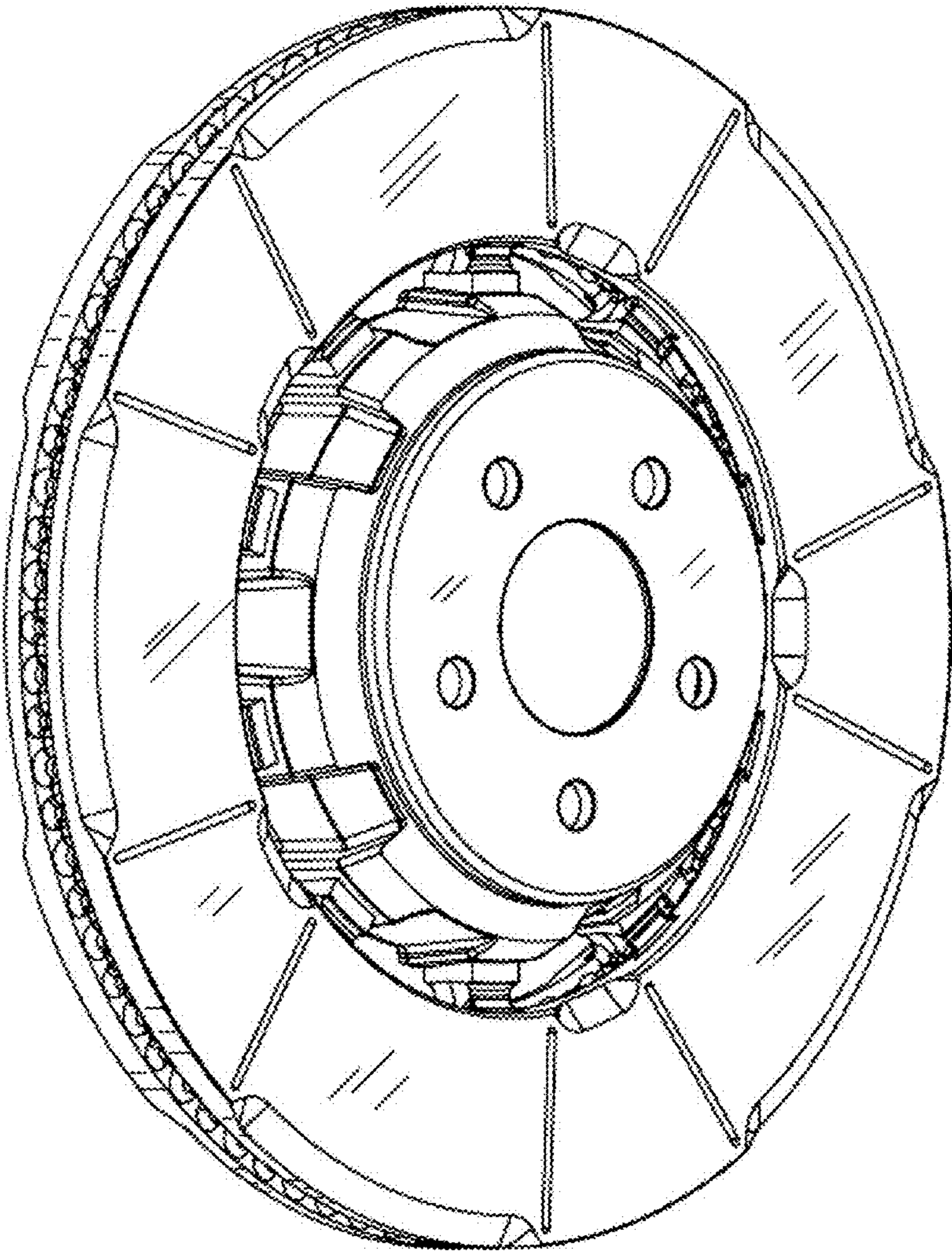


FIG. 2

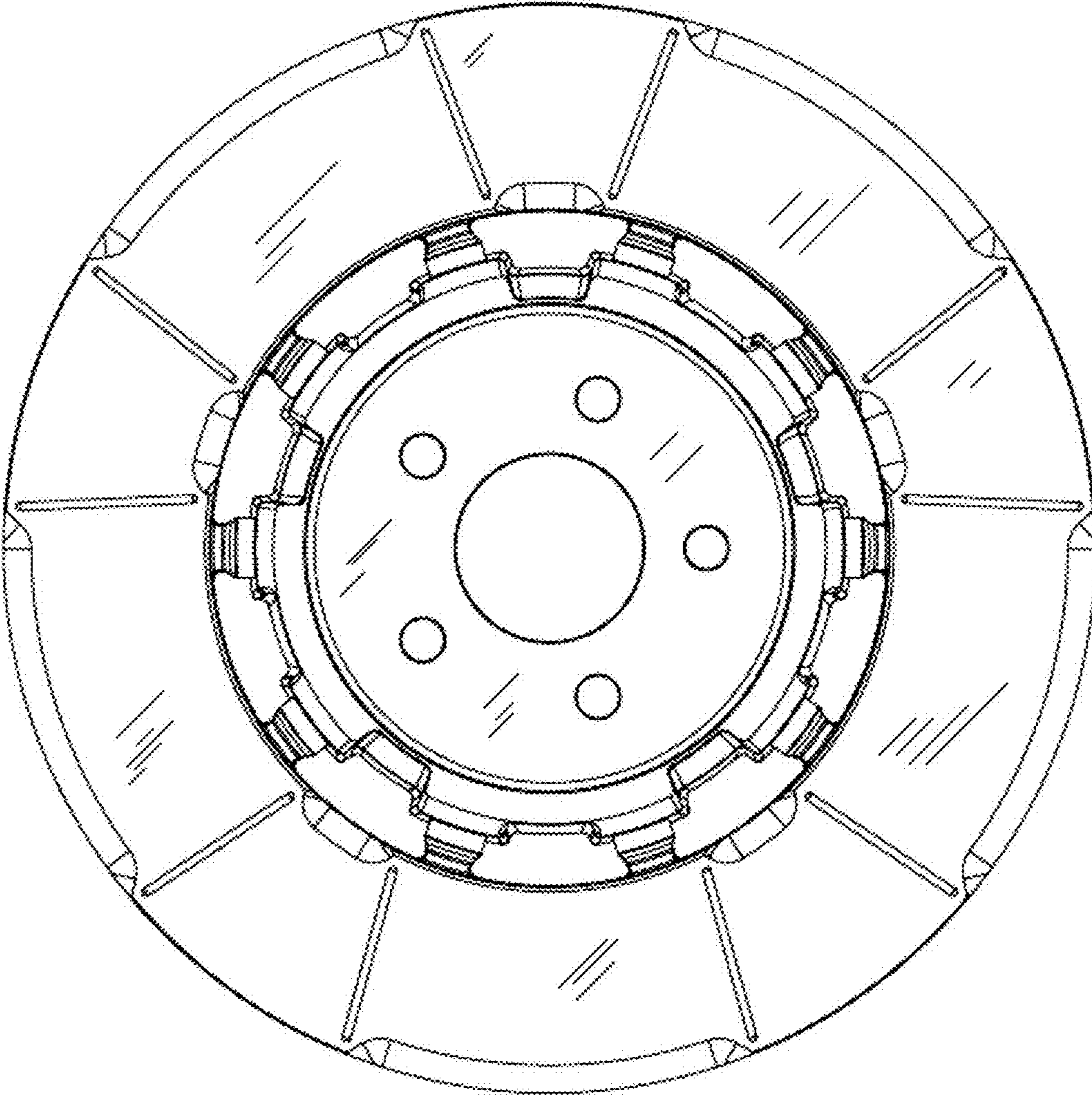


FIG. 3

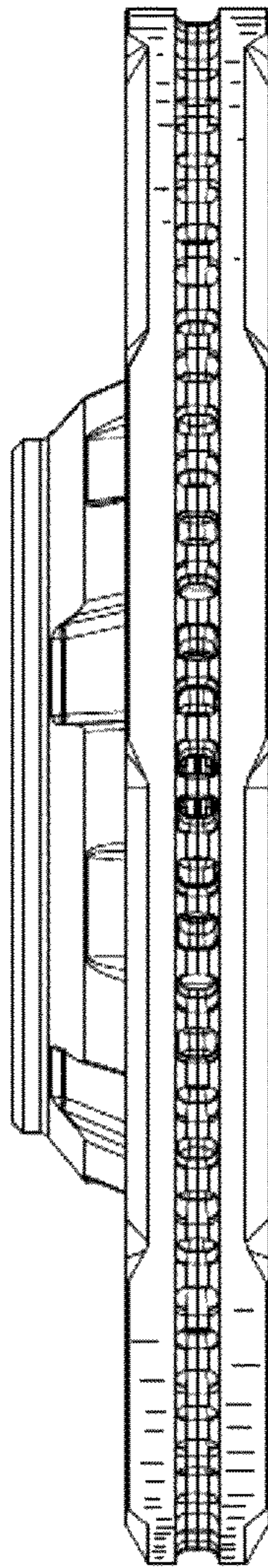


FIG. 4

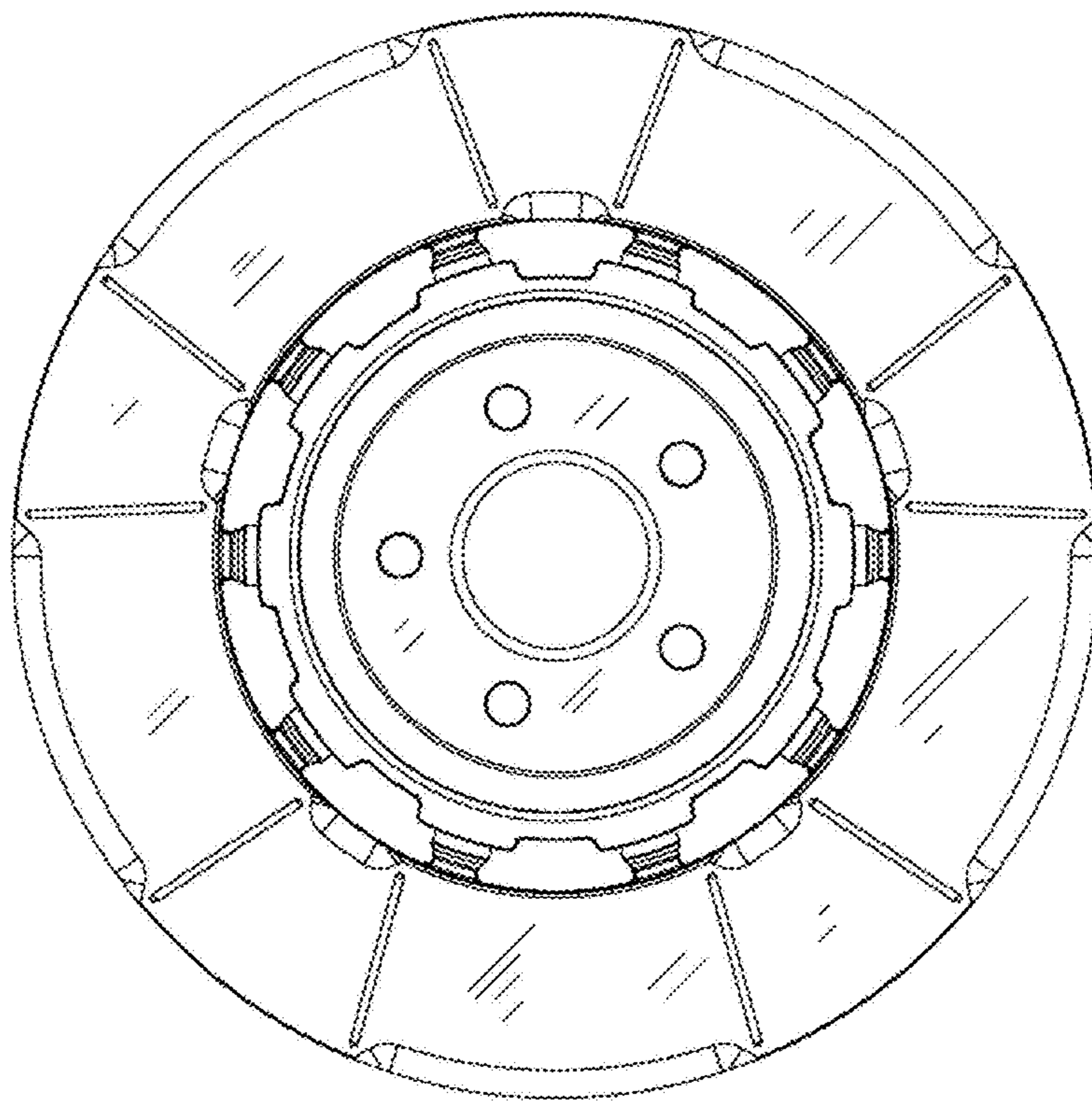


FIG. 5