



US00D803115S

(12) **United States Design Patent**  
**Baiz et al.**

(10) **Patent No.:** **US D803,115 S**

(45) **Date of Patent:** **\*\* Nov. 21, 2017**

(54) **GEAR SHIFT KNOB**

(71) Applicants: **Enrique J. Baiz**, Miramar, FL (US);  
**Oswaldo Izquierdo**, Homestead, FL (US)

(72) Inventors: **Enrique J. Baiz**, Miramar, FL (US);  
**Oswaldo Izquierdo**, Homestead, FL (US)

(\*\*) Term: **15 Years**

(21) Appl. No.: **29/567,549**

(22) Filed: **Jun. 9, 2016**

(51) **LOC (10) Cl.** ..... **12-16**

(52) **U.S. Cl.**  
USPC ..... **D12/179**

(58) **Field of Classification Search**  
USPC ..... D12/114, 174, 177, 178, 179; D8/88,  
D8/300, 303, 308, 359  
CPC ..... F16C 1/10; F16C 1/101; F16H 59/0204;  
F16H 59/0217; F16H 59/0278; F16H  
59/042; F16H 61/30; G05G 1/06; G05G  
19/00; G05G 9/02  
See application file for complete search history.

(56) **References Cited**

**U.S. PATENT DOCUMENTS**

D285,717 S *	9/1986	Adams	.....	D12/179
D288,006 S *	1/1987	Bergstrom	.....	D24/115
D296,095 S *	6/1988	Bellin	.....	D12/179
D384,017 S *	9/1997	Nishimura	.....	D12/179
D435,811 S *	1/2001	Smith	.....	D12/114
D449,025 S *	10/2001	Nicol	.....	D12/179
D462,927 S *	9/2002	Horner	.....	D12/180
D467,484 S *	12/2002	Schoen	.....	D8/70
6,893,038 B2 *	5/2005	Egan	.....	B62J 25/00 280/291
D509,333 S *	9/2005	Tash	.....	D32/35
D521,229 S *	5/2006	Mariano	.....	D3/5
D544,819 S *	6/2007	Miller	.....	D12/180

D549,140 S *	8/2007	Lupescu	.....	D12/179
D580,737 S *	11/2008	Singtoroj	.....	D8/312
D581,777 S *	12/2008	Huang	.....	D8/397
7,467,682 B1 *	12/2008	Hahm	.....	B62K 23/08 180/219
D596,091 S *	7/2009	Egan	.....	D12/179
D623,572 S *	9/2010	Griffin	.....	D12/179
D637,125 S *	5/2011	Griffin	.....	D12/179
D695,584 S *	12/2013	Chen	.....	D8/70
D698,357 S *	1/2014	Mainville	.....	D12/174
D738,265 S *	9/2015	McNeeley	.....	D12/118
D774,865 S *	12/2016	Chen	.....	D15/138
D785,538 S *	5/2017	Jordan	.....	D12/213

(Continued)

**OTHER PUBLICATIONS**

Gear-shift-knob, image post date Jun. 18, 2014, site visited Sep. 6, 2017, (online), <[https://www.tineye.com/search/a35a443d80ebab7cfb6d908a39aa7a033af91205/?sort=crawl\\_date&order=asc](https://www.tineye.com/search/a35a443d80ebab7cfb6d908a39aa7a033af91205/?sort=crawl_date&order=asc)>.\*

(Continued)

*Primary Examiner* — Kevin Rudzinski  
*Assistant Examiner* — Sean D Lough  
(74) *Attorney, Agent, or Firm* — QuickPatents, LLC;  
Kevin Prince

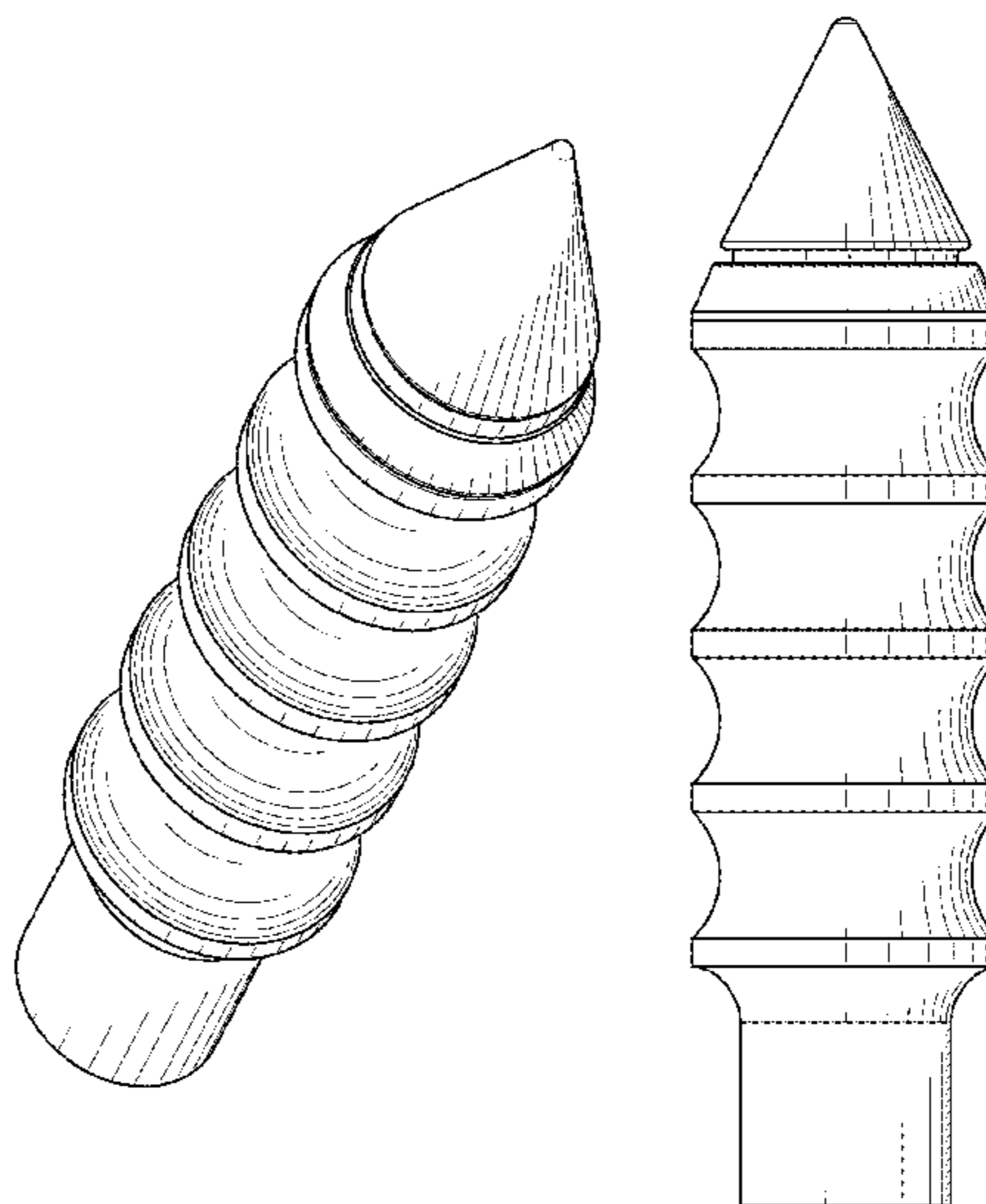
(57) **CLAIM**

We claim the ornamental design for a gear shift knob, as shown and described.

**DESCRIPTION**

FIG. 1 is a top perspective view of a gear shift knob, showing our new design;  
FIG. 2 is a front elevational view thereof, the rear elevational view, right-side elevational view, and left-side elevational view all being identical thereto;  
FIG. 3 is a top plan view thereof;  
FIG. 4 is a bottom plan view thereof; and,  
FIG. 5 is a bottom perspective view thereof.

**1 Claim, 3 Drawing Sheets**



(56)

**References Cited**

U.S. PATENT DOCUMENTS

D788,574 S \* 6/2017 Baiz ..... D8/387  
D792,205 S \* 7/2017 Baiz ..... D8/397  
D792,206 S \* 7/2017 Baiz ..... D8/397  
D793,220 S \* 8/2017 Baiz ..... D8/397  
D793,221 S \* 8/2017 Baiz ..... D8/397  
D793,854 S \* 8/2017 Baiz ..... D8/397  
2008/0292428 A1\* 11/2008 Coonjohn ..... B60R 11/00  
411/372.6  
2014/0074163 A1\* 3/2014 West, Jr. .... A61B 17/0401  
606/232  
2017/0151007 A1\* 6/2017 Philipon ..... A61B 17/8888

OTHER PUBLICATIONS

Downstar spike shift knob 09, image post date May 2014, site visited Sep. 11, 2017, (online), <<http://www.superstreetonline.com/how-to/aftermarket-parts/1405-may-2014-new-products/>>.\*

Spike Shift Knob—TinEye, image post date May 31, 2017, site visited Sep. 11, 2017, (online), <<https://www.tineye.com/search/ce96604273f4d6dbf88ced32a7db4b4089db2a/>>.\*

Vmsracing Spike shift knobs—TinEye, image post date Nov. 25, 2016, site visited Sep. 11, 2017, (online), <[http://www.imgrum.org/media/1391605934974944618\\_550830275](http://www.imgrum.org/media/1391605934974944618_550830275)>.\*

\* cited by examiner

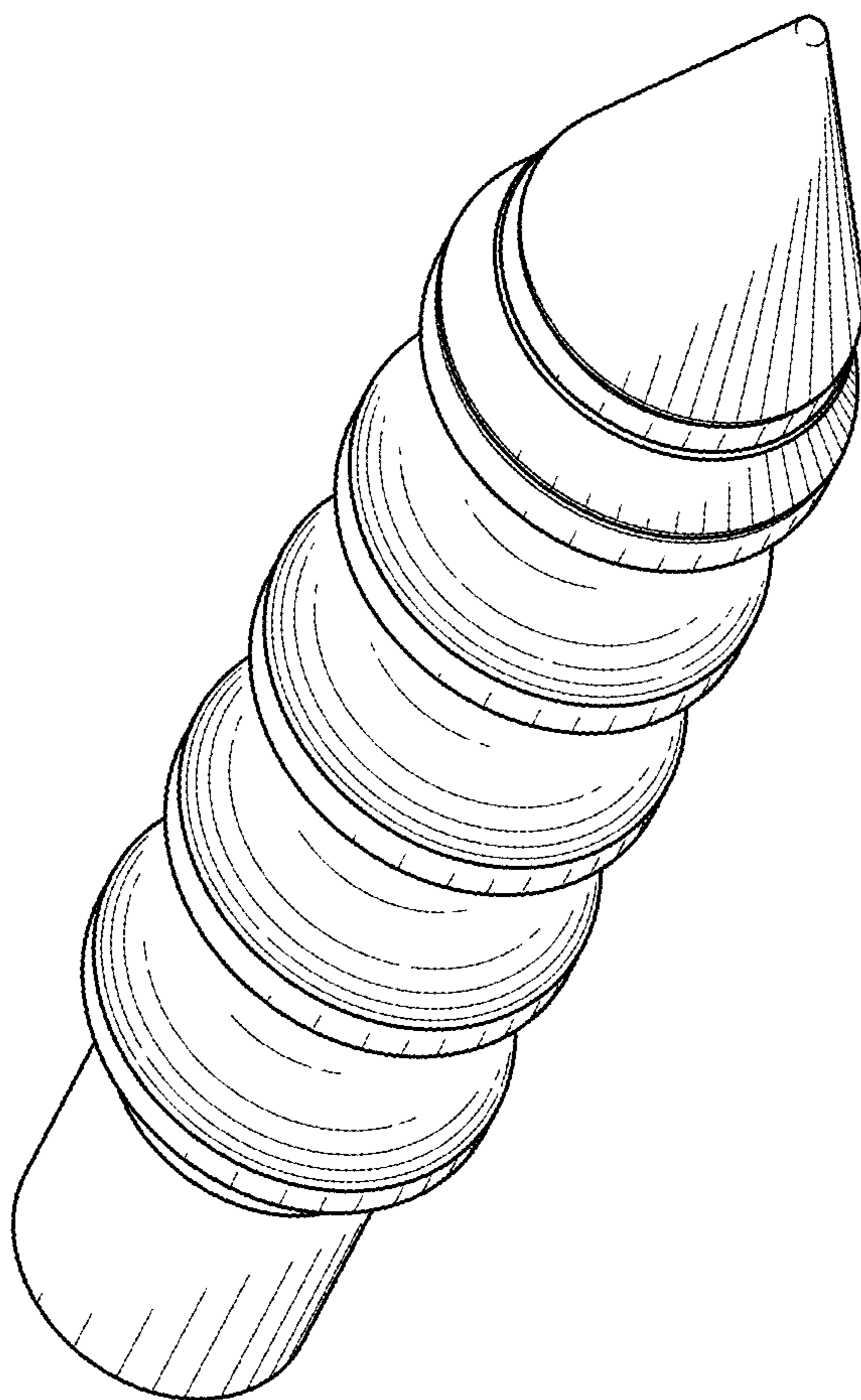


FIG. 1

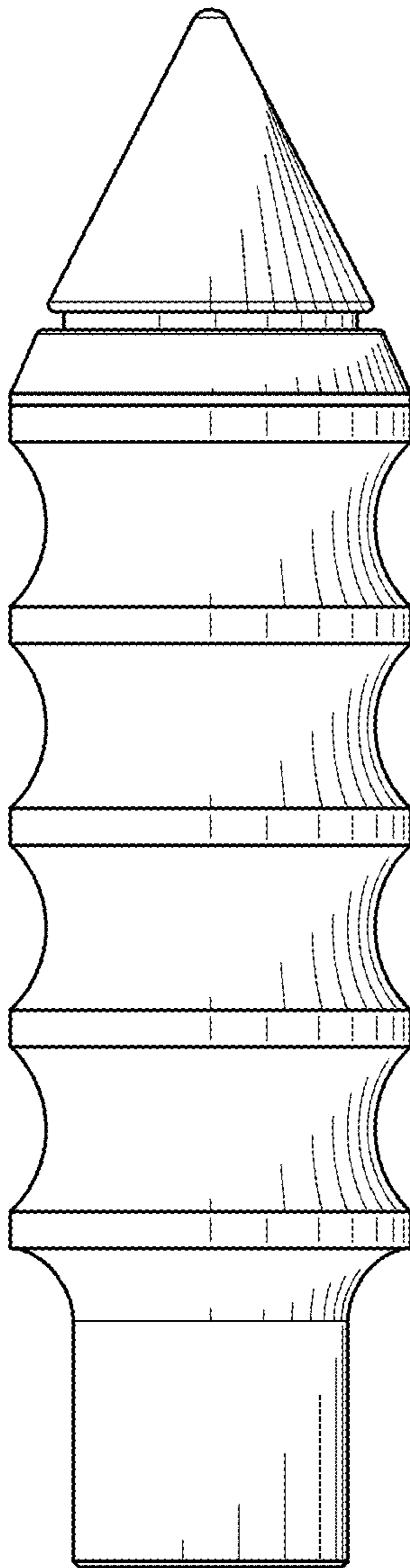


FIG. 2

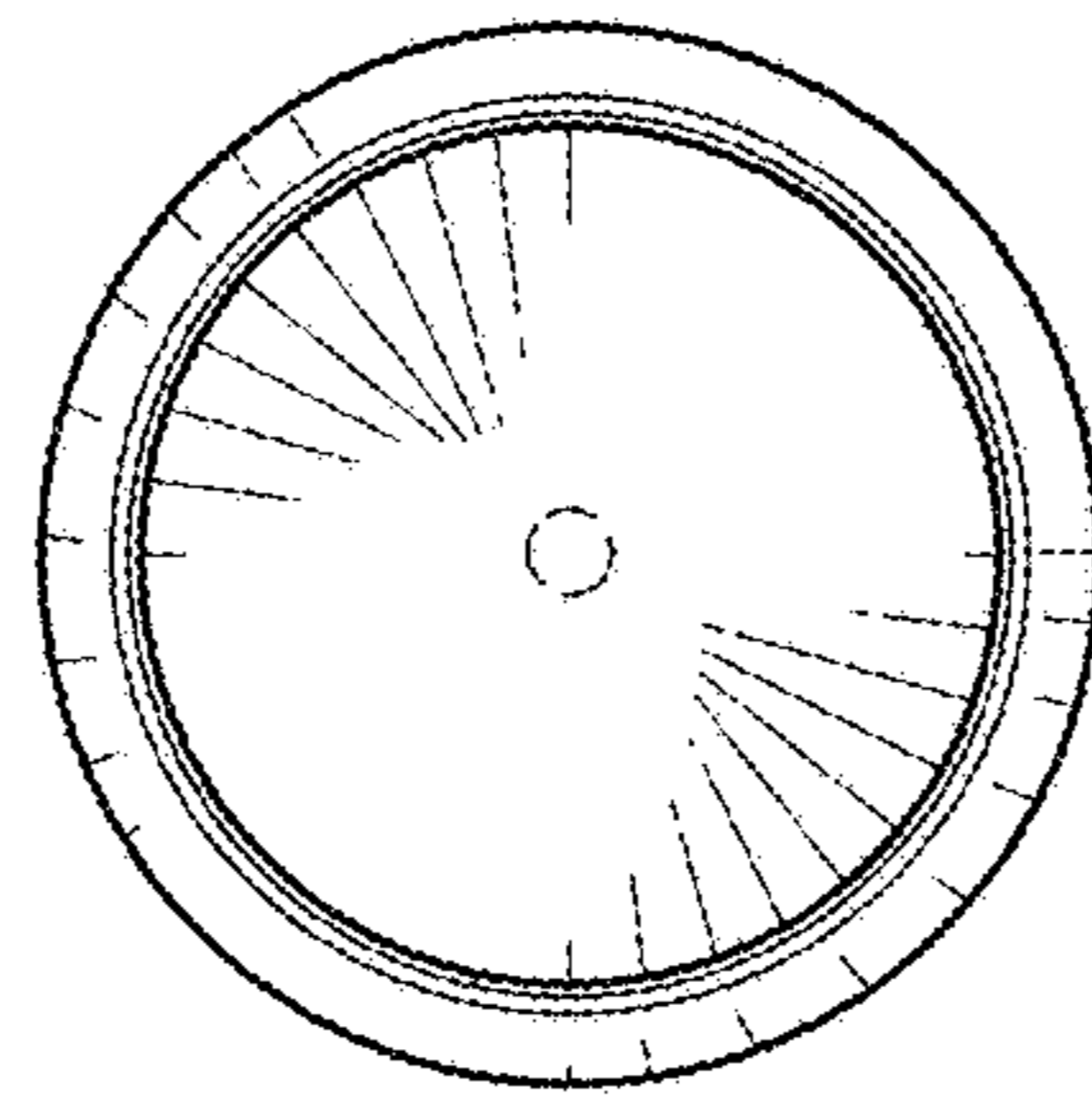


FIG. 3

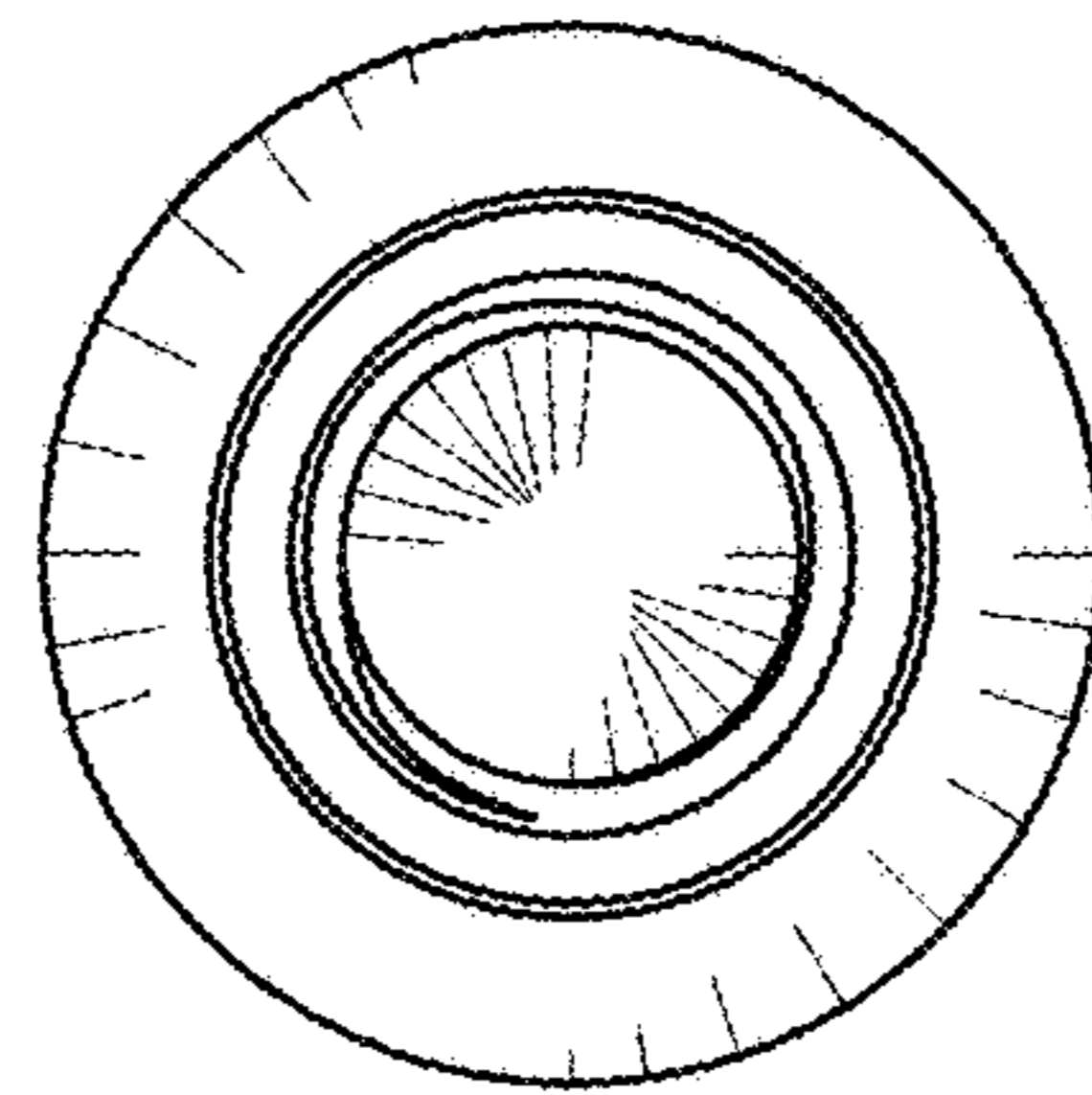


FIG. 4

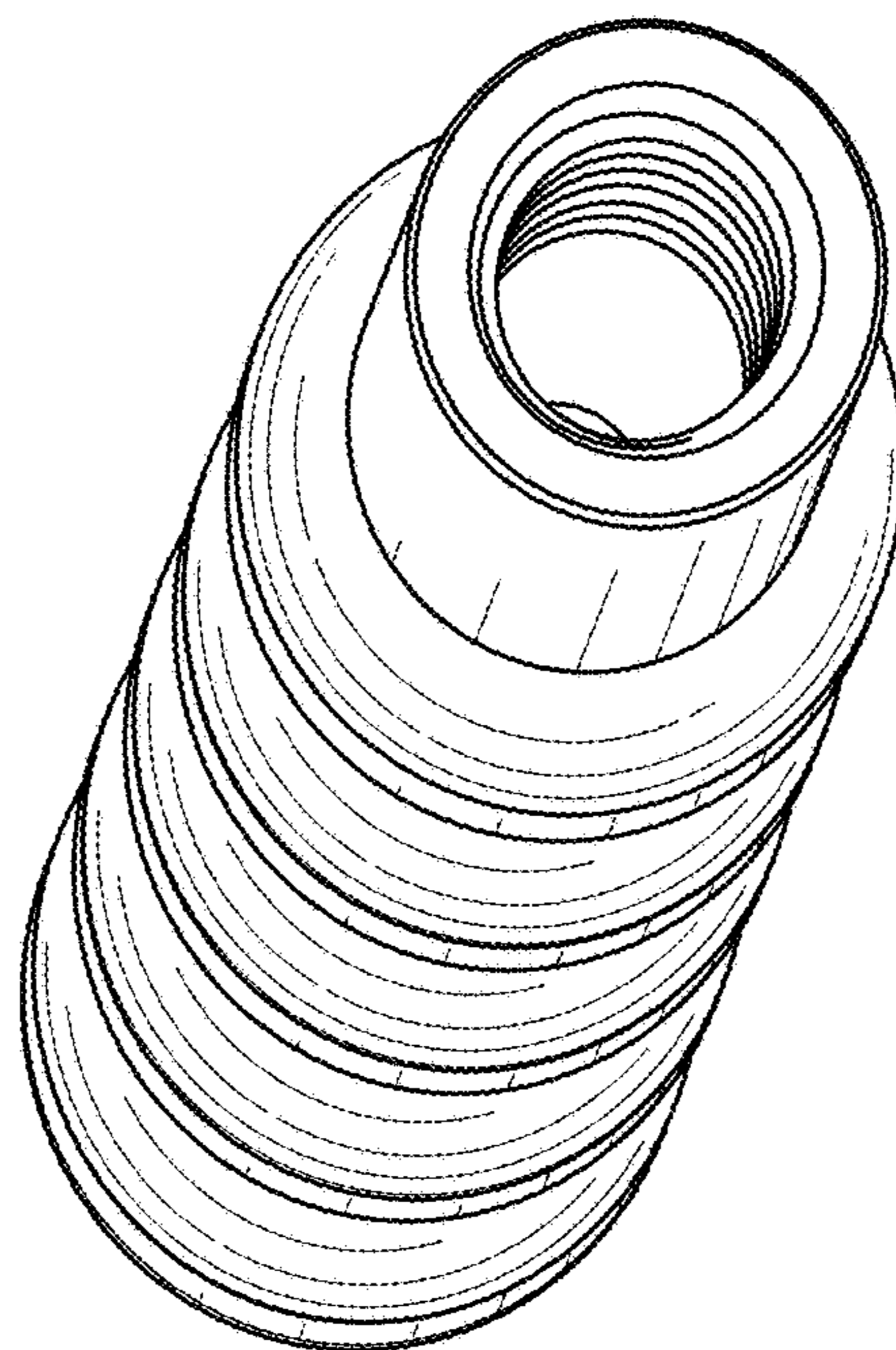


FIG. 5