



US00D803113S

(12) **United States Design Patent** (10) **Patent No.:** **US D803,113 S**
Munjurulimana et al. (45) **Date of Patent:** **** Nov. 21, 2017**

(54) **ENERGY ABSORPTION MEMBER**

D324,668 S * 3/1992 Anderson D12/203
5,382,035 A * 1/1995 Waddington B60R 3/002
280/169
D476,927 S * 7/2003 Delgado D12/167
(Continued)

(71) Applicant: **SABIC Global Technologies B.V.**,
Bergen op Zoom (NL)

(72) Inventors: **Dinesh Munjurulimana**, Bangalore
(IN); **Arunachala Parameshwara**,
Bangalore (IN); **Venkatesha**
Narayanaswamy, Bangalore (IN);
Dhanendra Nagwanshi, Farmington
Hills, MI (US); **Matthew M. Delaney**,
Wixom, MI (US)

FOREIGN PATENT DOCUMENTS

EP 1197398 A2 4/2002
EP 1894791 A2 3/2008
(Continued)

(73) Assignee: **SABIC GLOBAL TECHNOLOGIES**
B.V., Bergen op Zoom (NL)

Primary Examiner — Darlington Ly
(74) *Attorney, Agent, or Firm* — Baker & Hostetler LLP

(**) Term: **14 Years**

(57) **CLAIM**

The ornamental design for an energy absorption member, as shown and described.

(21) Appl. No.: **29/525,499**

DESCRIPTION

(22) Filed: **Apr. 30, 2015**

(51) **LOC (10) Cl.** **12-16**

(52) **U.S. Cl.**
USPC **D12/172**

(58) **Field of Classification Search**
USPC D12/167, 169, 181, 190, 203, 414;
D25/62, 69, 123, 126, 127, 128, 129,
D25/136; 280/163, 164.1, 164.2, 166,
280/169, 727, 770, 848, 851; 52/630,
52/846
CPC .. B60R 3/00; B60R 3/02; B60R 13/04; B62D
21/157; B62D 25/02; B62D 25/20; B62D
35/008
See application file for complete search history.

FIG. 1 is a top, right, front perspective view of an energy absorption member according to our design;
FIG. 2 is a bottom, left, rear perspective view thereof;
FIG. 3 is another top, right, front perspective view thereof;
FIG. 4 is a bottom, right, rear perspective view thereof;
FIG. 5 is a bottom, left, front perspective view thereof;
FIG. 6 is a top, left, rear perspective view thereof;
FIG. 7 is a front elevation view thereof;
FIG. 8 is a rear elevation view thereof;
FIG. 9 is a bottom plan view thereof;
FIG. 10 is a top plan view thereof;
FIG. 11 is a right side elevation view thereof; and,
FIG. 12 is a left side elevation view thereof.

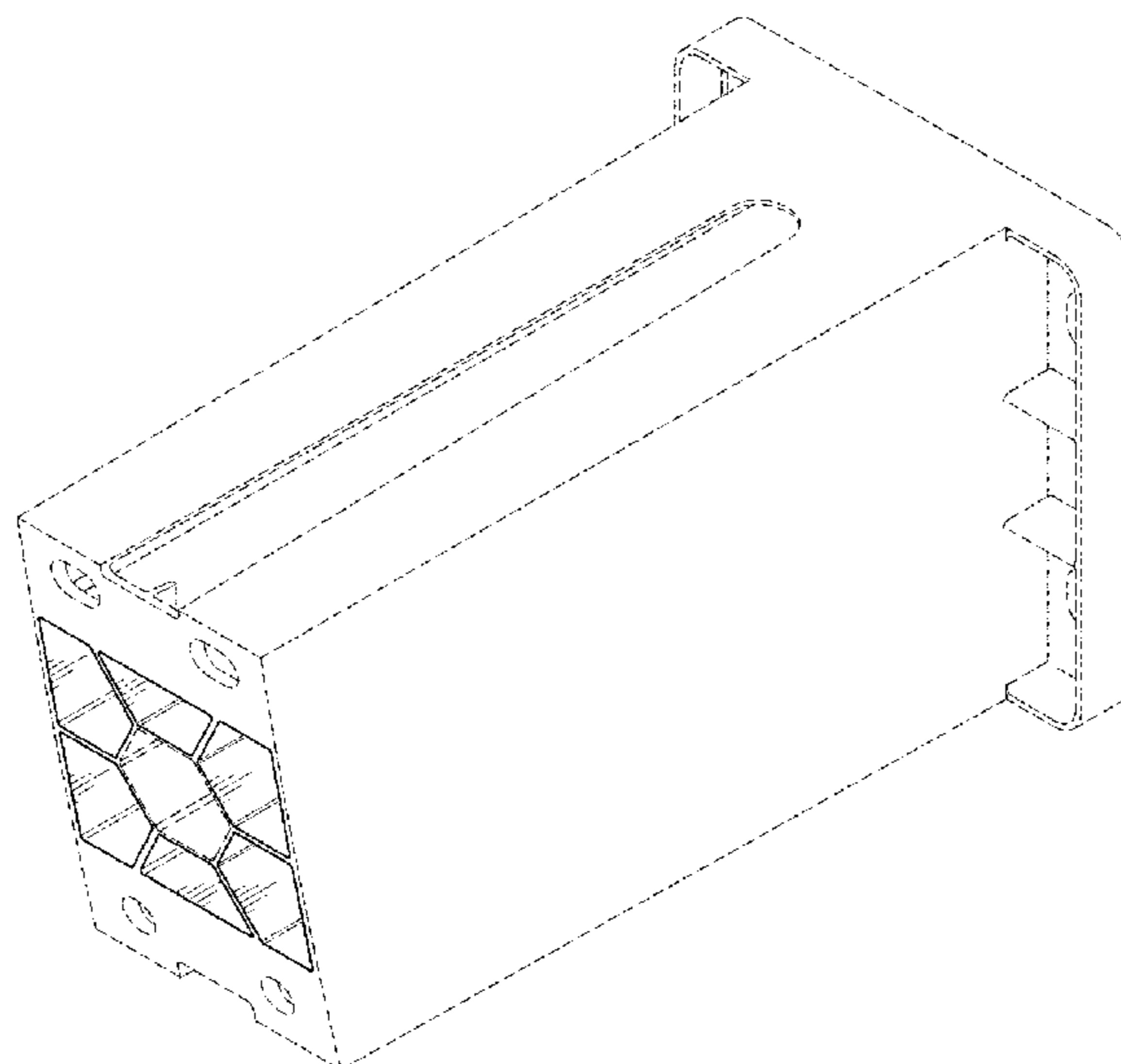
(56) **References Cited**

U.S. PATENT DOCUMENTS

D305,323 S * 1/1990 Anderson D12/203
4,934,721 A * 6/1990 Flores B60R 3/002
182/90
D318,039 S * 7/1991 Flores D12/203

In a preferred embodiment, the nature of this product is an energy absorption member for an automobile, and in particular an energy absorption member that is configured to be mounted between an automobile rail and a bumper. The broken lines in the drawings illustrate portions of the energy absorption member that form no part of the claimed design.

1 Claim, 6 Drawing Sheets



(56)

References Cited

U.S. PATENT DOCUMENTS

6,938,936 B2	9/2005	Mooijman et al.	
7,044,515 B2	5/2006	Mooijman et al.	
D567,729 S *	4/2008	Crandall	D12/203
7,694,787 B2	4/2010	Kano et al.	
D618,148 S *	6/2010	Hoppert	D12/203
8,136,826 B2 *	3/2012	Watson	B60R 3/02 280/163
8,459,726 B2	6/2013	Tyan et al.	
8,714,575 B2 *	5/2014	Watson	B60R 3/002 280/166
8,757,687 B2	6/2014	Kaneko et al.	
8,844,986 B2	9/2014	Kaneko et al.	
D718,195 S *	11/2014	Hayes	D12/167
D746,187 S *	12/2015	Park	D12/167
2003/0160418 A1 *	8/2003	Farkash	B60R 3/002 280/164.1

2004/0084820 A1	5/2004	Kato et al.	
2006/0043744 A1	3/2006	Iketo et al.	
2011/0015902 A1	1/2011	Cheng et al.	
2011/0291431 A1	12/2011	Buschsieweke et al.	
2012/0104719 A1 *	5/2012	Hayes	B60R 3/02 280/163
2012/0104778 A1	5/2012	Mana et al.	
2013/0001963 A1	1/2013	Haneda et al.	
2013/0175813 A1	7/2013	Mana et al.	
2013/0193699 A1	8/2013	Zannier	
2015/0069774 A1	3/2015	Mukainakano et al.	

FOREIGN PATENT DOCUMENTS

EP	2406109 B1	12/2014
FR	2761434 A1	10/1998
WO	2014113580 A1	7/2014

* cited by examiner

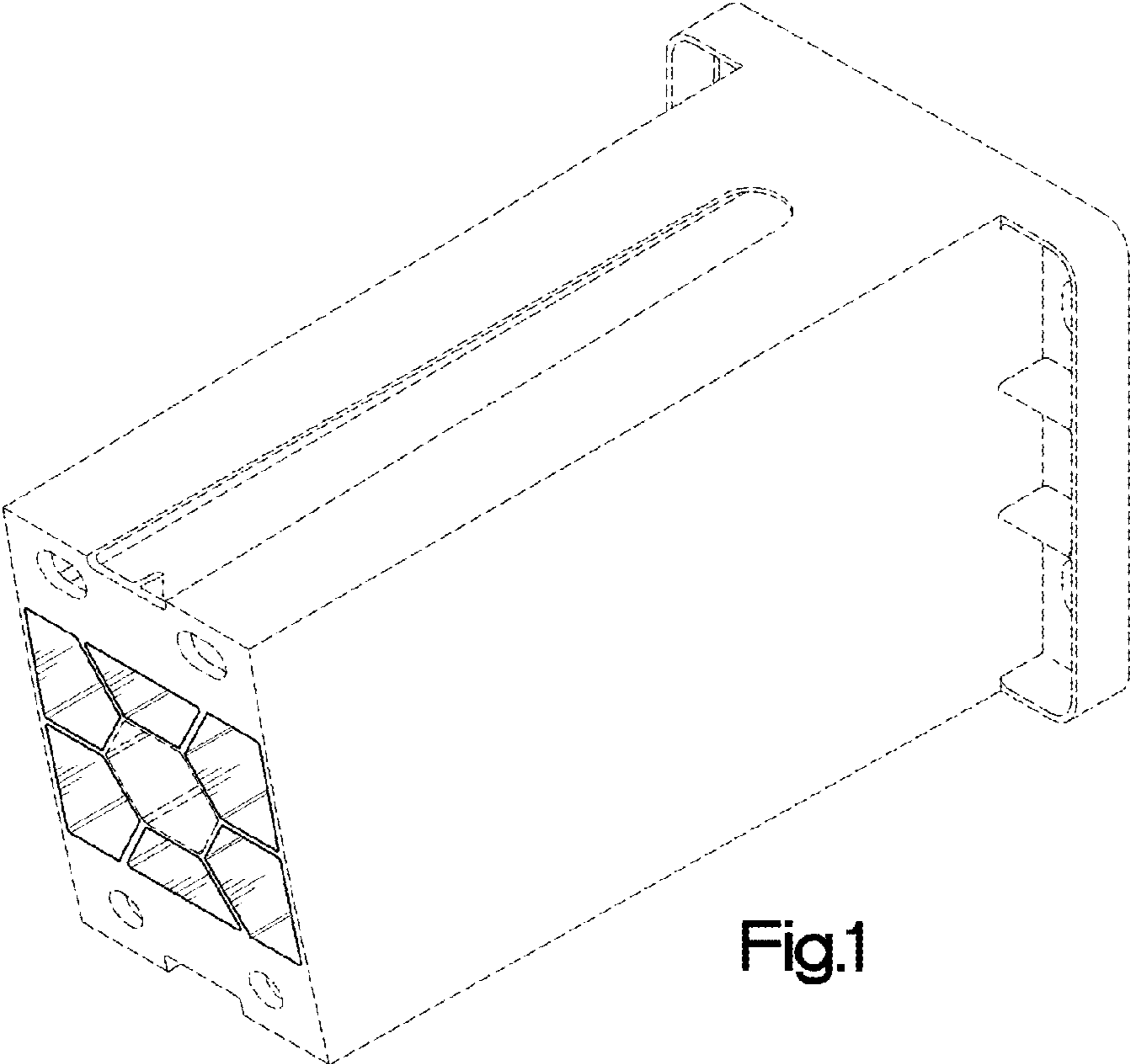


Fig.1

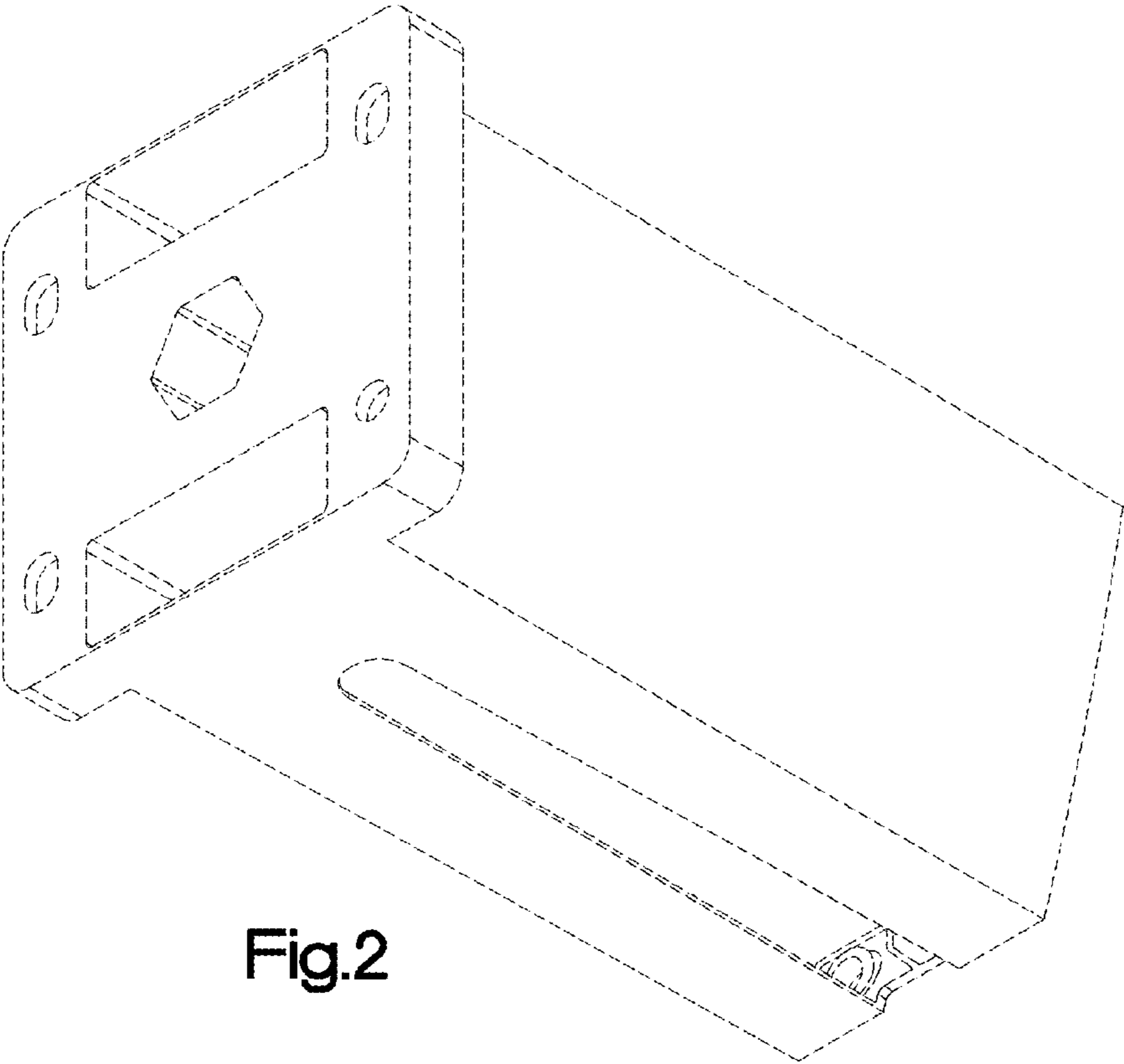


Fig.2

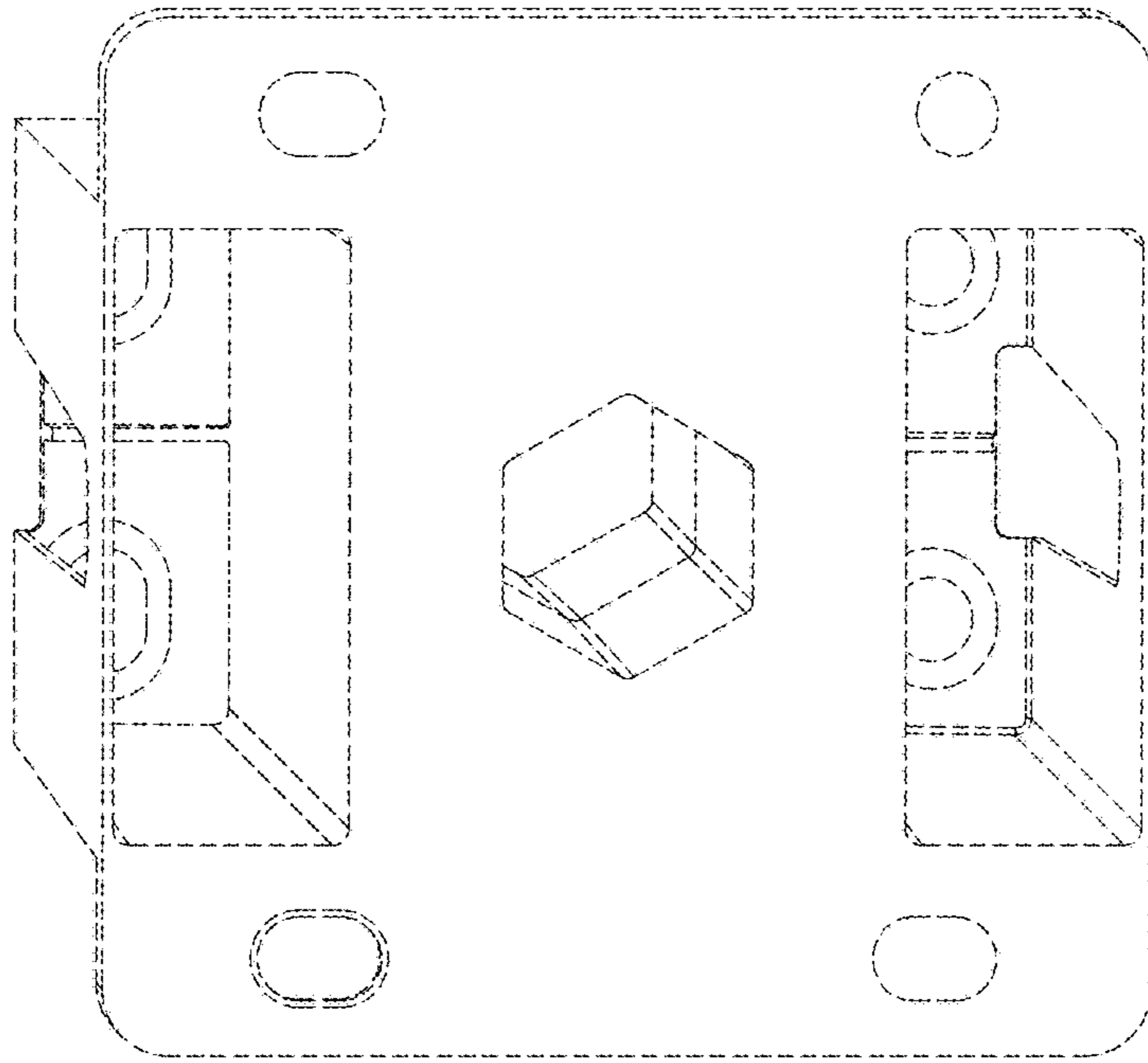


Fig.4

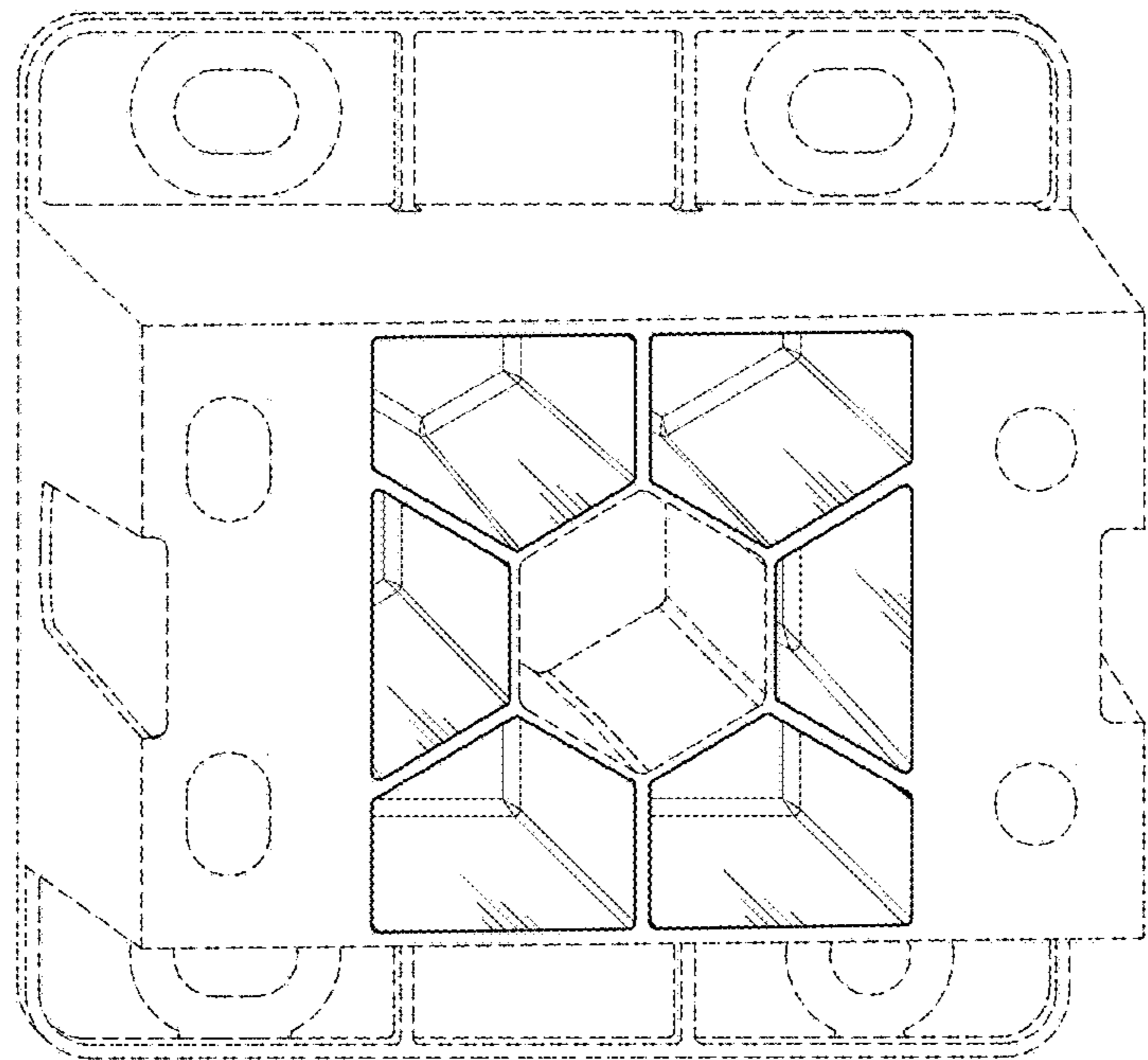


Fig.3

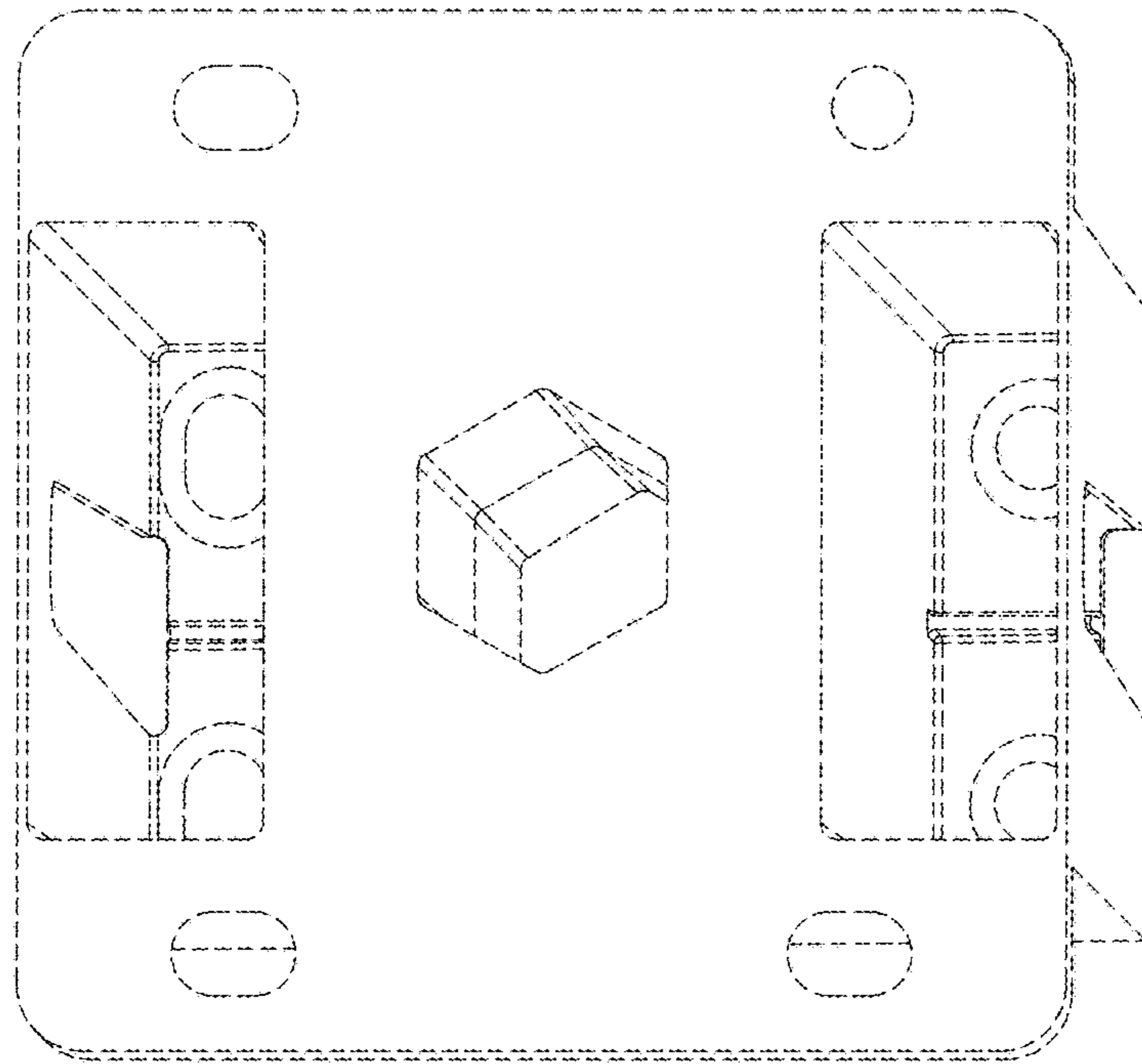


Fig.6

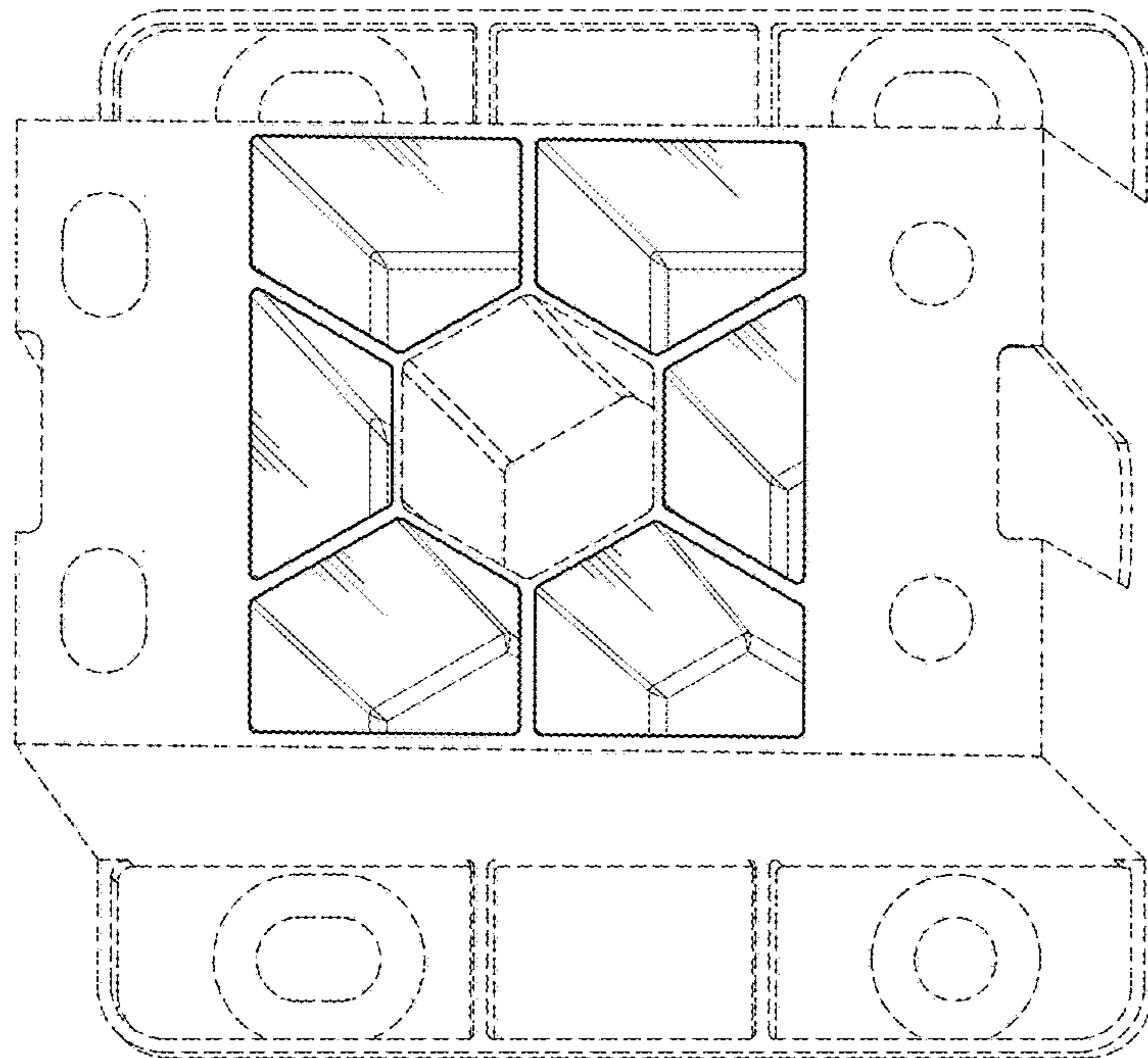


Fig.5

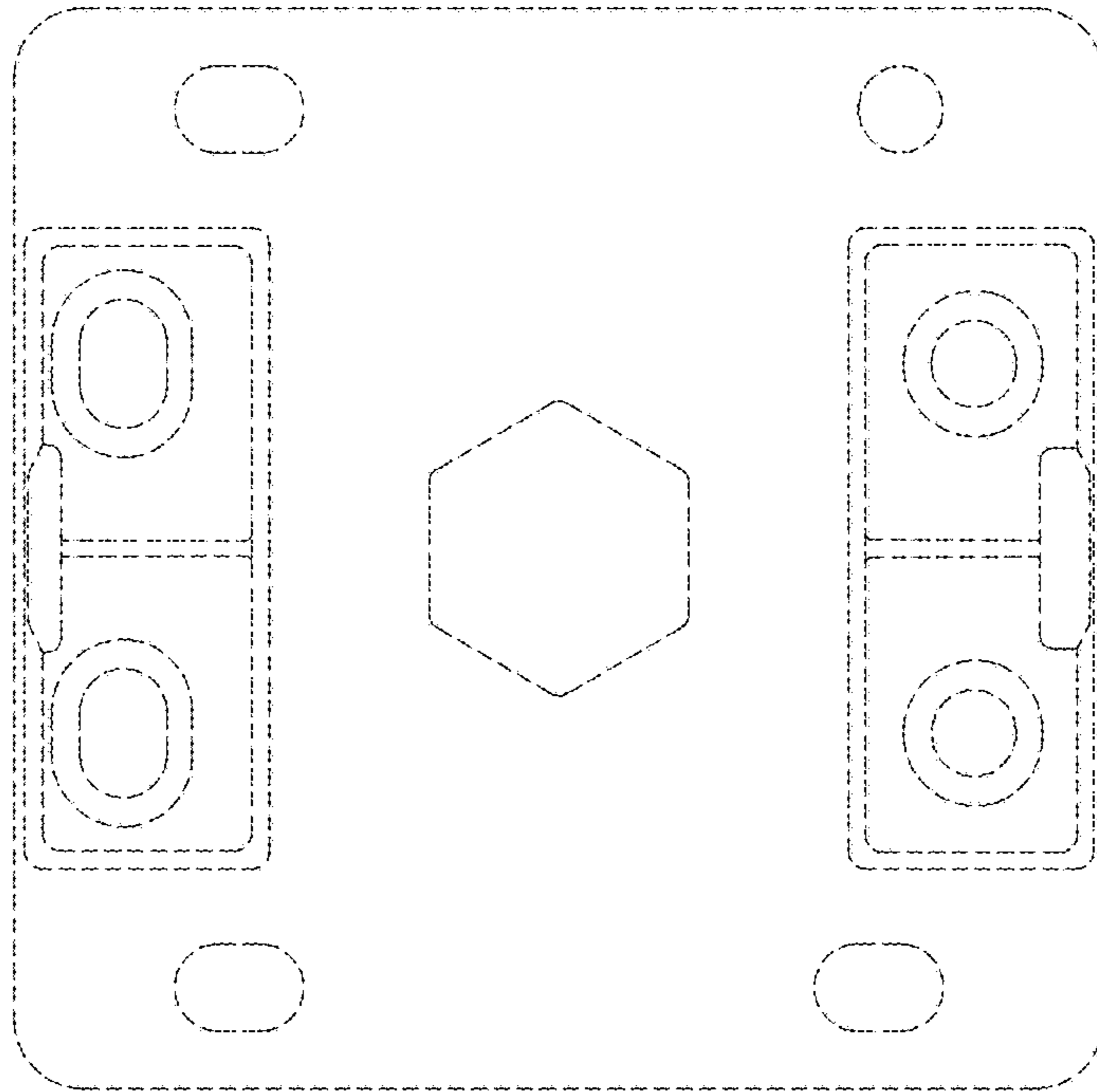


Fig.8

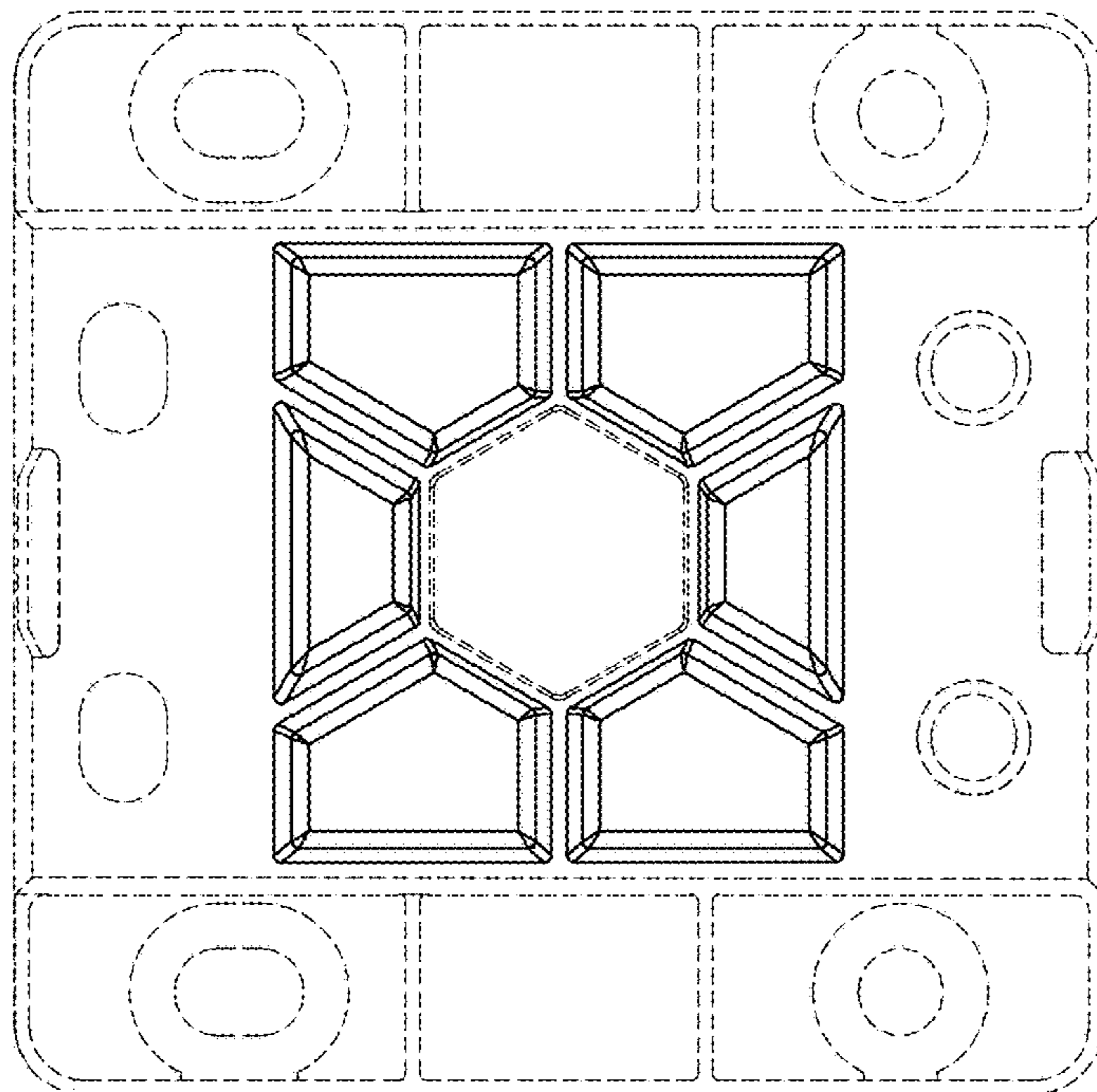


Fig.7

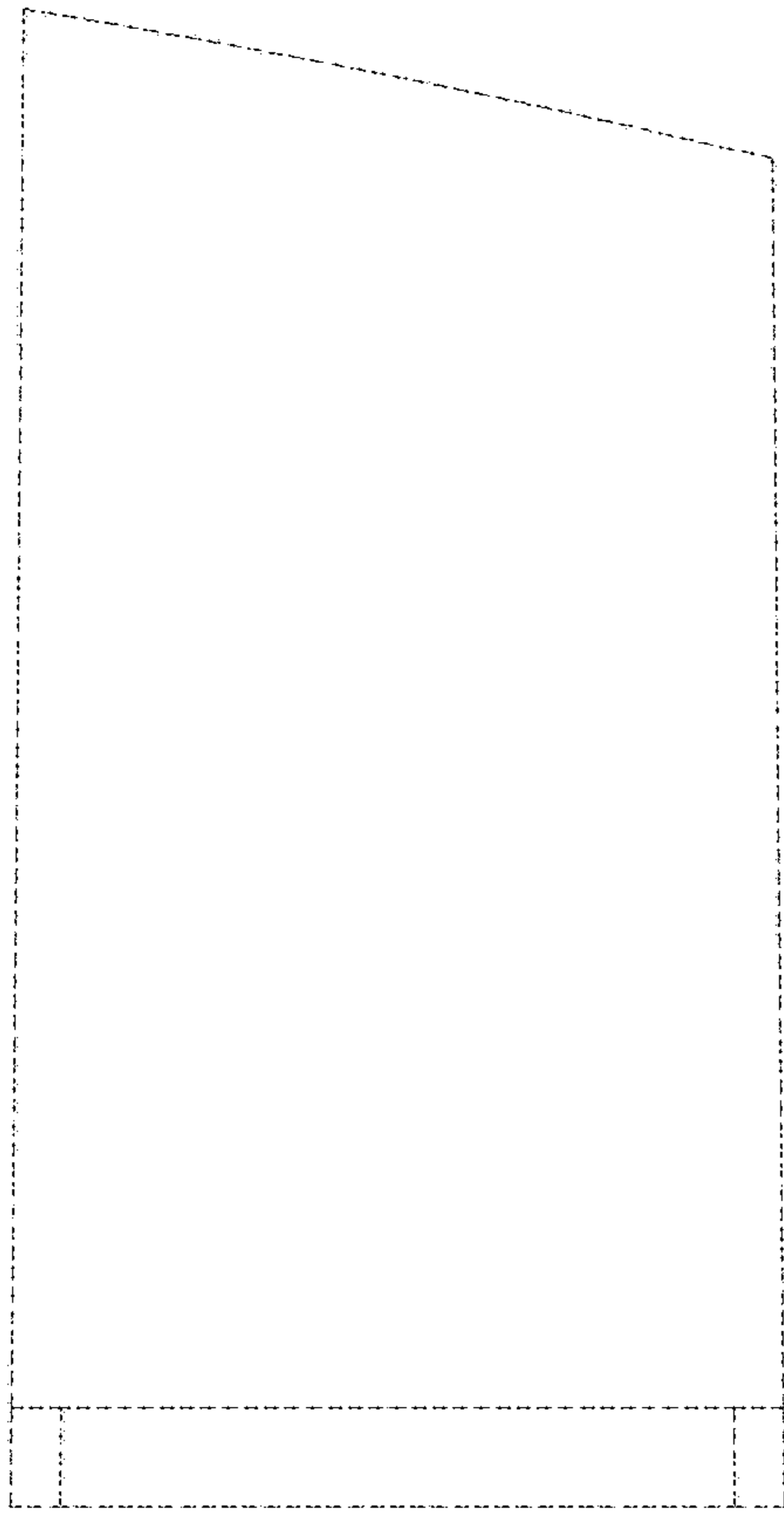


Fig.9

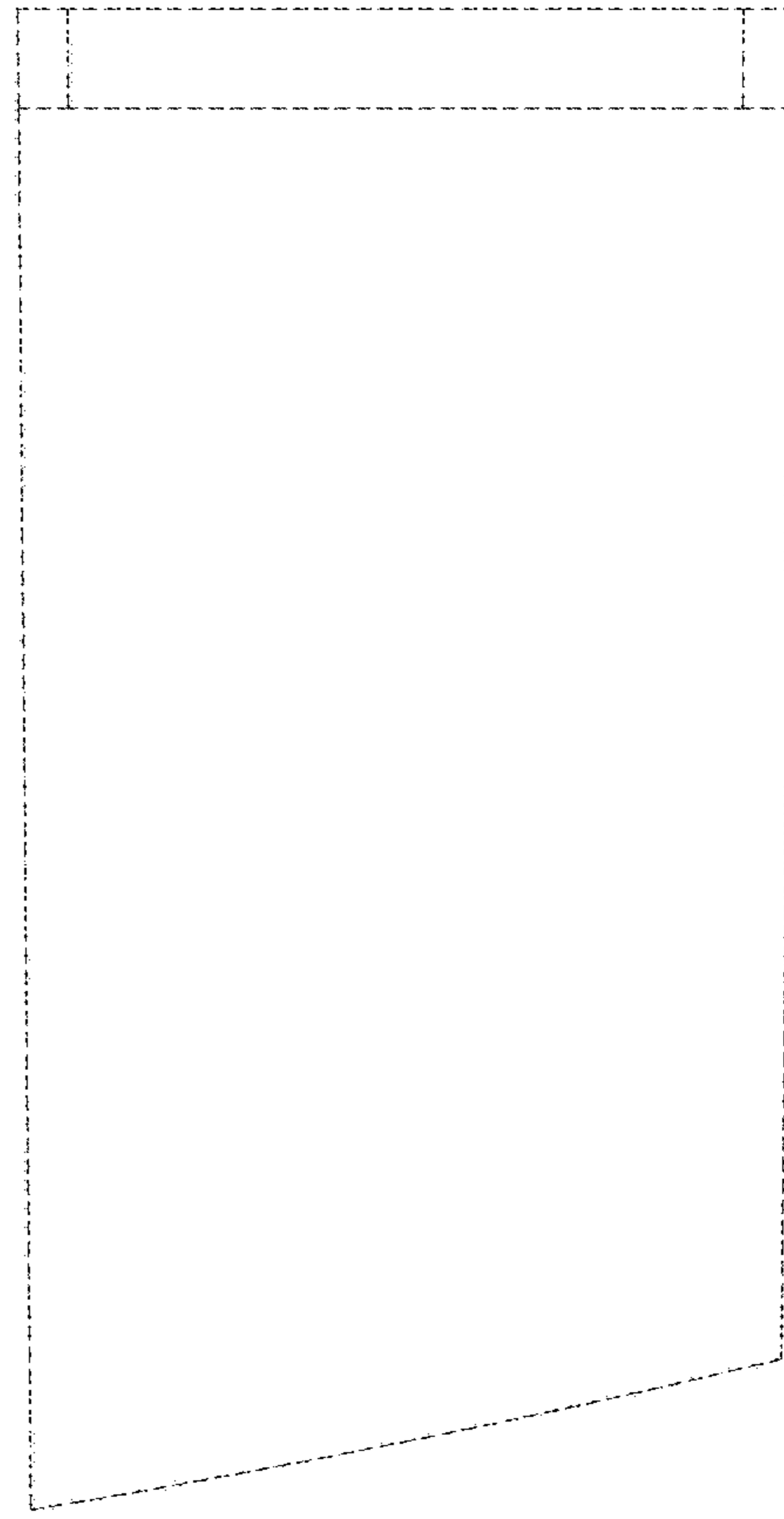


Fig.10

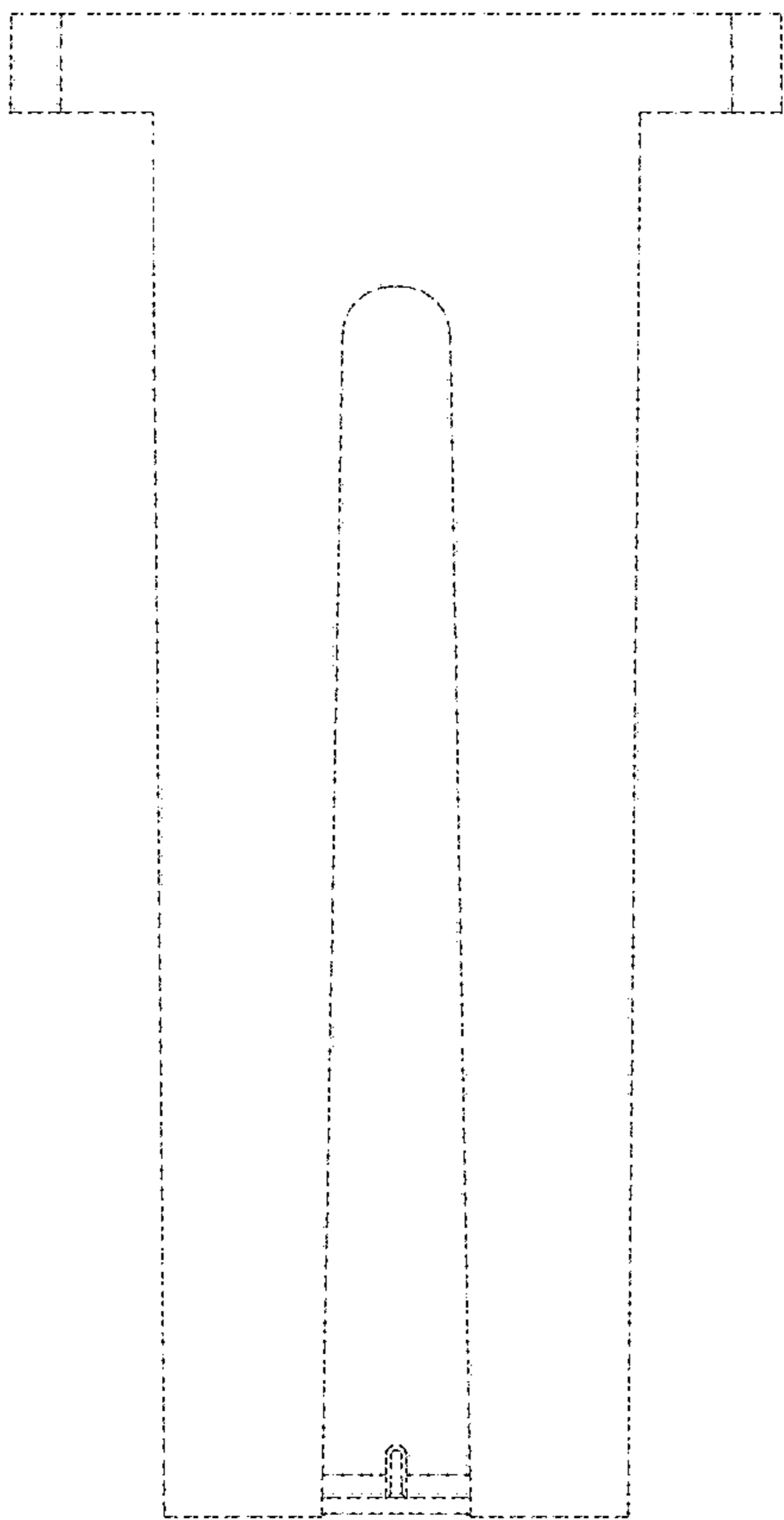


Fig.11

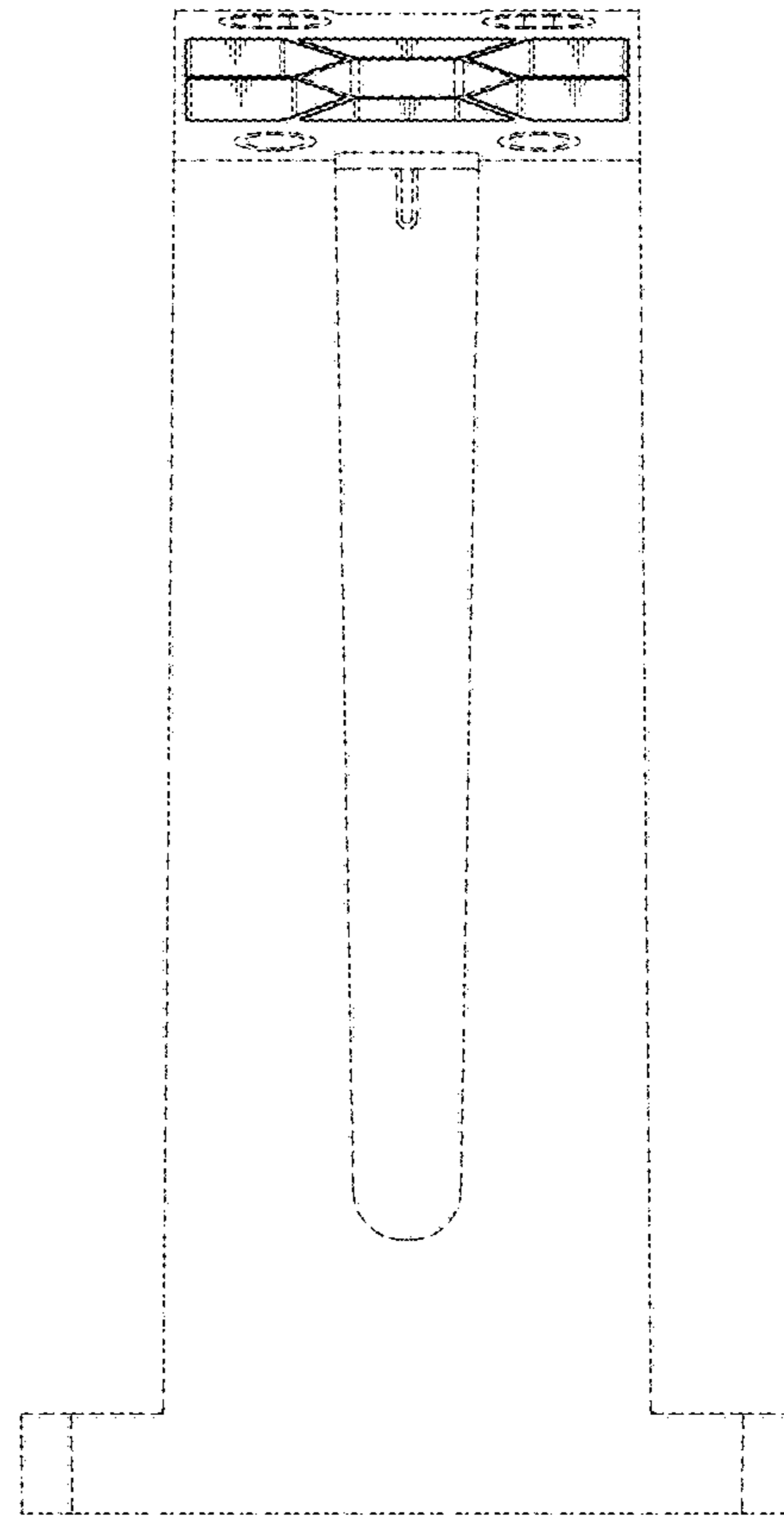


Fig.12