



US00D803110S

(12) **United States Design Patent** (10) **Patent No.:** **US D803,110 S**  
**Seo** (45) **Date of Patent:** **\*\* Nov. 21, 2017**

(54) **FRONT BUMPER FOR AUTOMOBILE**  
(71) Applicant: **Nissan Motor Co., Ltd.**, Yokohama,  
Kanagawa (JP)  
(72) Inventor: **Kuniharu Seo**, Kanagawa (JP)  
(73) Assignee: **Nissan Motor Co., Ltd.**, Yokohama  
(JP)

D668,593 S 10/2012 Imai et al.  
D668,594 S 10/2012 Davidson et al.  
D683,284 S 5/2013 Yoshida et al.  
D690,628 S 10/2013 Minamisawa et al.  
D690,630 S 10/2013 Kazama  
D693,278 S 11/2013 Morioka  
D695,163 S 12/2013 Scheinhutte  
D698,707 S 2/2014 Nakamura et al.

(Continued)

(\*\*) Term: **15 Years**  
(21) Appl. No.: **29/568,904**  
(22) Filed: **Jun. 22, 2016**

**FOREIGN PATENT DOCUMENTS**

JP D1311325 S 10/2007  
JP D1311569 S 10/2007

(Continued)

*Primary Examiner* — Melody N Brown

(74) *Attorney, Agent, or Firm* — Global IP Counselors,  
LLP

(30) **Foreign Application Priority Data**  
Dec. 23, 2015 (JP) ..... 2015-028618  
(51) **LOC (10) Cl.** ..... **12-16**  
(52) **U.S. Cl.**  
USPC ..... **D12/169**  
(58) **Field of Classification Search**  
USPC .... D12/169, 216, 90-92, 86, 171, 196, 163;  
293/102, 113, 115, 117, 120; 296/180.1,  
296/180.2  
CPC ..... B60R 19/02; B60R 19/04; B62D 25/08  
See application file for complete search history.

(57) **CLAIM**

The ornamental design for a front bumper for an automobile,  
as shown and described.

**DESCRIPTION**

FIG. 1 is a front elevational view of a front bumper for an  
automobile showing our new design;  
FIG. 2 is a top plan view thereof;  
FIG. 3 is a bottom plan view thereof;  
FIG. 4 is a right side elevational view thereof;  
FIG. 5 is a left side perspective view thereof;  
FIG. 6 is a top, front and right side perspective view thereof;  
and,  
FIG. 7 is a bottom, front and left side perspective view  
thereof.

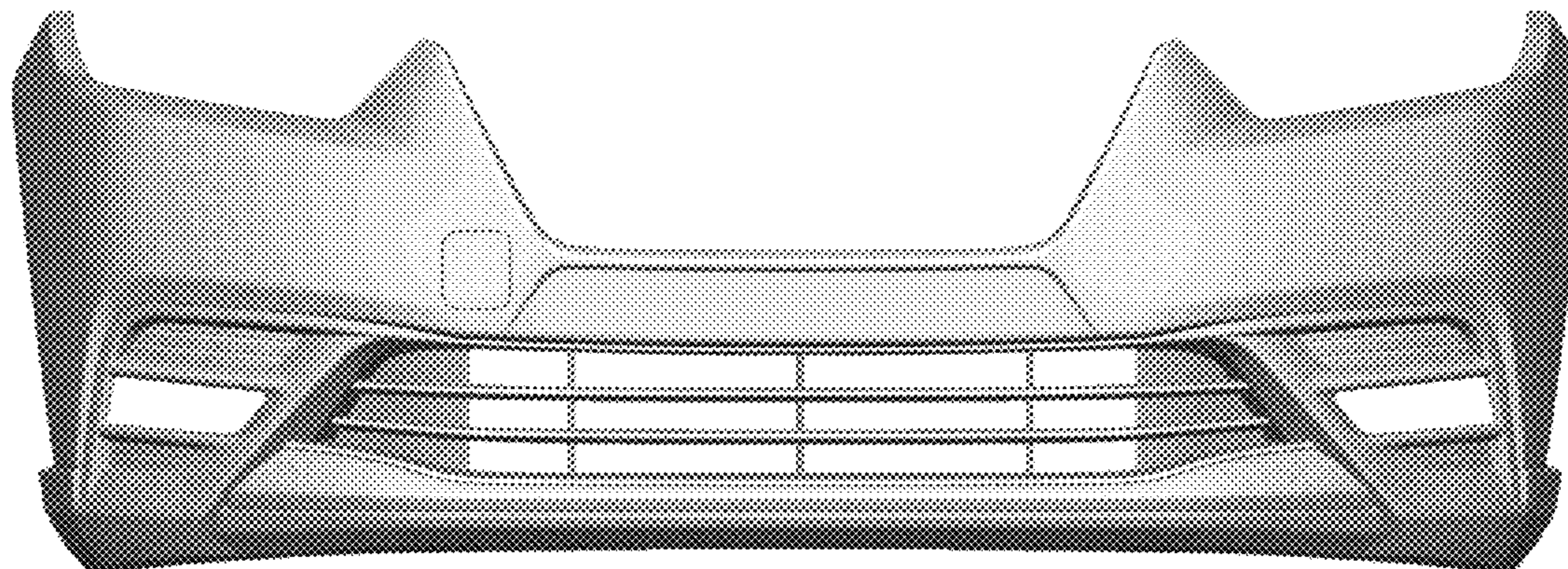
The rear view of the front bumper forms no part of the  
claimed design. The inside surfaces of the front bumper  
visible in FIGS. 2, 6 and 7 form no part of the claimed design  
since the inside surfaces are hidden when the front bumper  
is mounted to the automobile.

**1 Claim, 7 Drawing Sheets**

(56) **References Cited**

**U.S. PATENT DOCUMENTS**

D588,959 S \* 3/2009 Bischoff ..... D12/92  
D598,828 S 8/2009 Lee  
D606,912 S \* 12/2009 Sahs ..... D12/169  
D610,956 S 3/2010 Truebsbach  
D614,534 S \* 4/2010 Weaver ..... D12/90  
D626,041 S \* 10/2010 Yamazaki ..... D12/169  
D636,303 S 4/2011 Frei et al.  
D664,483 S 7/2012 Platto et al.  
D664,902 S 8/2012 Platto et al.  
D665,712 S 8/2012 Tanai  
D668,190 S 10/2012 Koman et al.



(56)

References Cited

U.S. PATENT DOCUMENTS

D699,639 S 2/2014 Kubota et al.  
 D700,114 S 2/2014 Wada  
 D702,161 S 4/2014 Hanaoka  
 D708,997 S \* 7/2014 Koizumi ..... D12/169  
 D711,792 S 8/2014 Tsuchida et al.  
 D711,793 S 8/2014 Nagasaka et al.  
 D712,801 S 9/2014 Kobayashi  
 D717,219 S 11/2014 Murakawa et al.  
 D721,021 S 1/2015 Hanaoka  
 D722,925 S 2/2015 Kato  
 D733,624 S 7/2015 Morikawa  
 D749,022 S 2/2016 Nakahara  
 D749,999 S \* 2/2016 Curic ..... D12/169  
 D750,000 S 2/2016 Han et al.  
 D760,127 S \* 6/2016 Yamamoto ..... D12/169  
 D763,145 S 8/2016 Tsutamori  
 D773,356 S \* 12/2016 Cartabiano ..... D12/169  
 D786,749 S \* 5/2017 Oohashi ..... D12/169  
 D789,851 S 6/2017 Svensson et al.

FOREIGN PATENT DOCUMENTS

JP D1359723 S 5/2009  
 JP D1387745 S 5/2010  
 JP D1401635 S 11/2010  
 JP D1432511 S 1/2012  
 JP D1446849 S 7/2012  
 JP D1454380 S 11/2012

JP D1458395 S 12/2013  
 JP D1458401 S 12/2013  
 JP D1444700 S 6/2014  
 JP D1503116 S 7/2014  
 JP D1518711 S 3/2015  
 JP D1518713 S 3/2015  
 JP D1525056 S 6/2015  
 JP D1526238 S 6/2015  
 JP D1526536 S 6/2015  
 JP D1538021 S 11/2015  
 JP D1517392 S 2/2016  
 JP D1518665 S 2/2016  
 JP D1545350 S 3/2016  
 JP D1548747 S 5/2016  
 JP D1549945 S 5/2016  
 JP D1553801 S 7/2016  
 JP D1554598 S 7/2016  
 JP D1561788 S 10/2016  
 JP D1562807 S 11/2016  
 JP D1563490 S 11/2016  
 JP D1556090 S 2/2017  
 JP D1568807 S 2/2017  
 JP D1569008 S 2/2017  
 JP D1569024 S 2/2017  
 JP D1546047 S 3/2017  
 JP D1572301 S 3/2017  
 JP D1562919 S 4/2017  
 JP D1574865 S 4/2017  
 JP D1550257 S 5/2017  
 JP D1576063 S 5/2017  
 JP D1581231 S 7/2017

\* cited by examiner



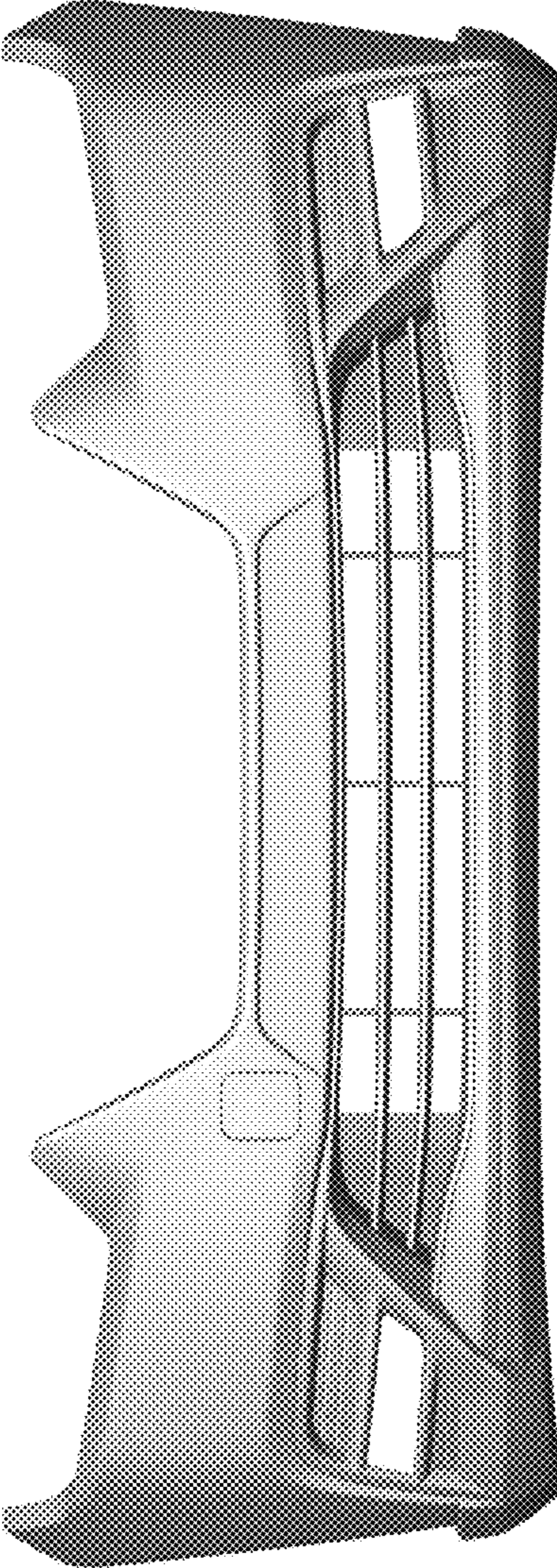


FIG. 1

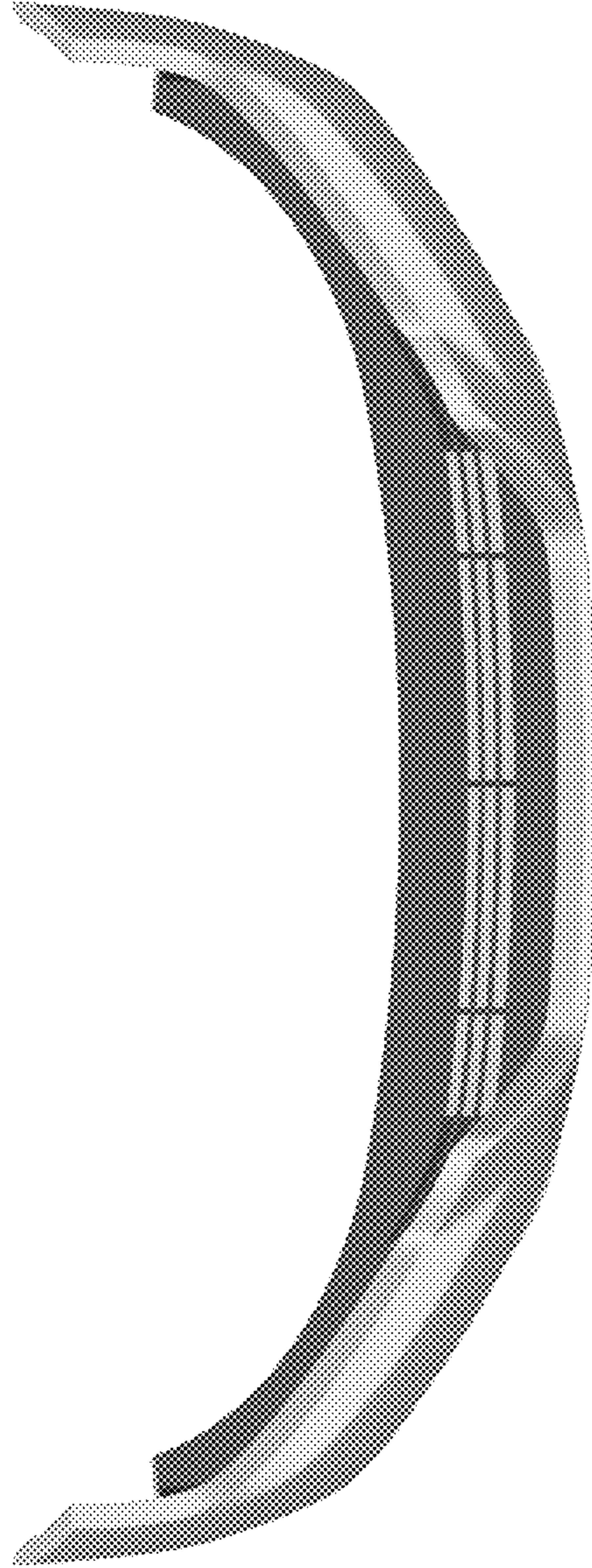


FIG. 2

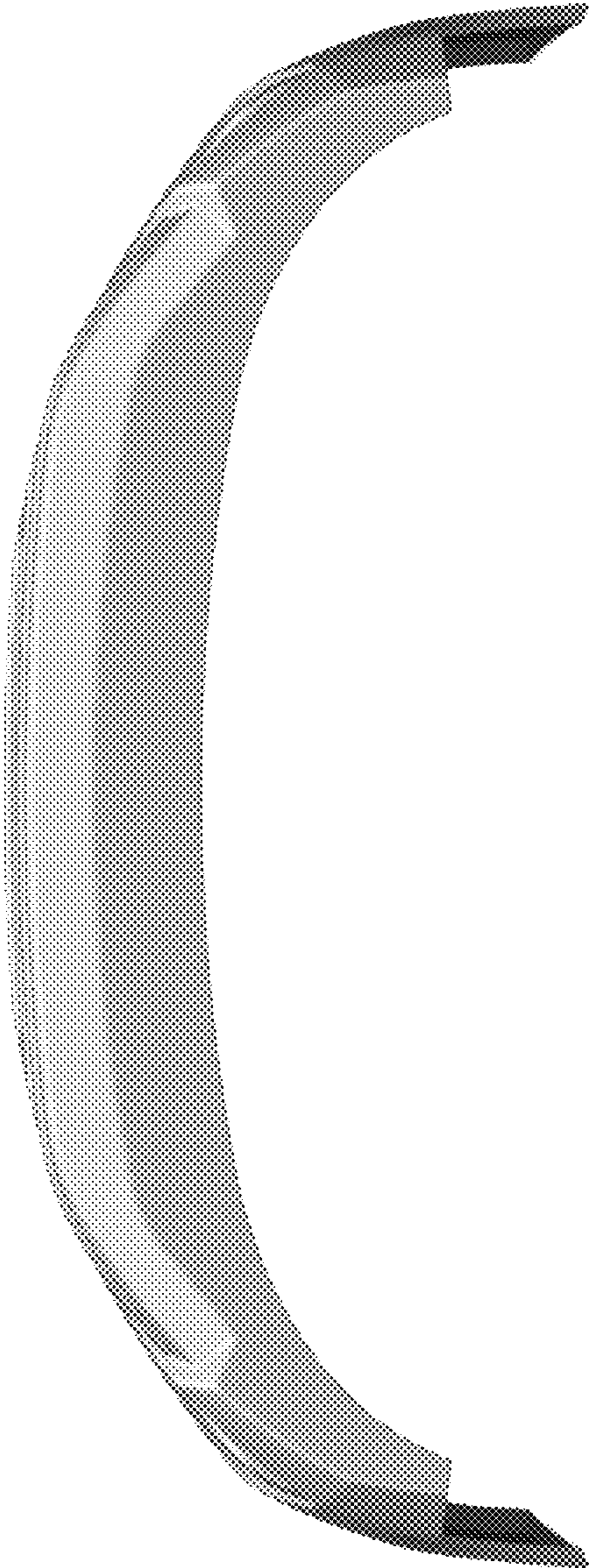


FIG. 3



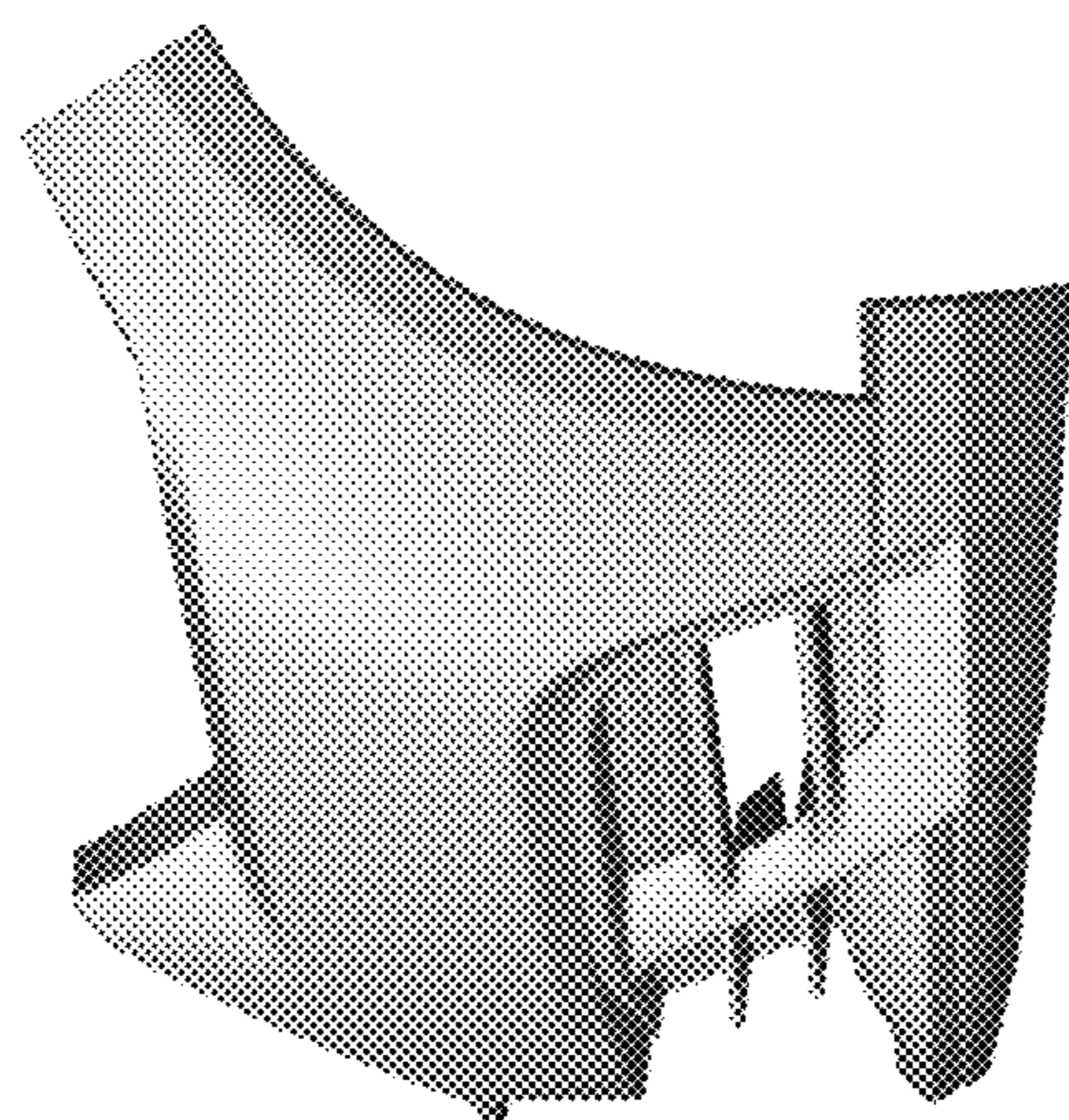


FIG. 4

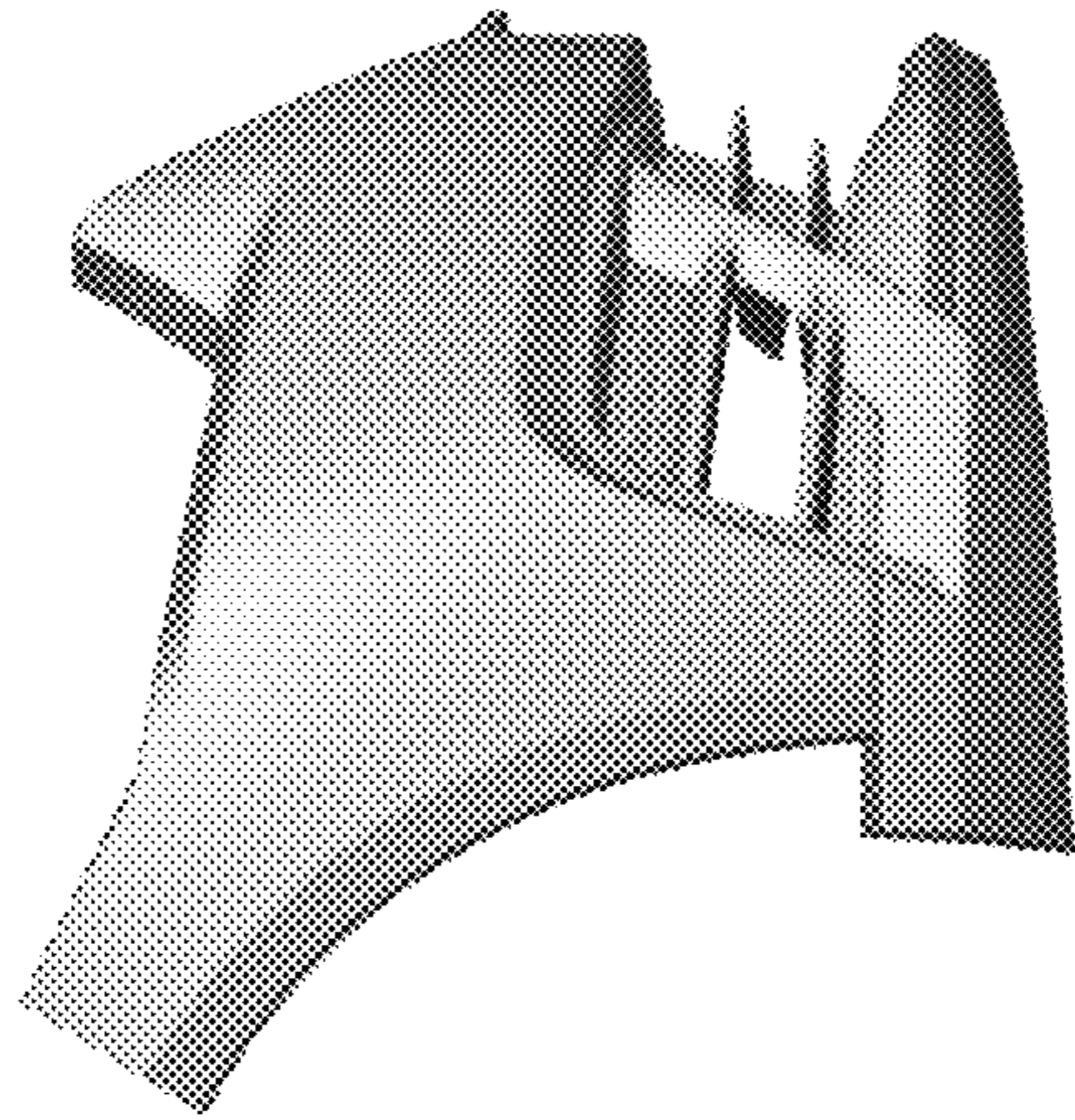


FIG. 5

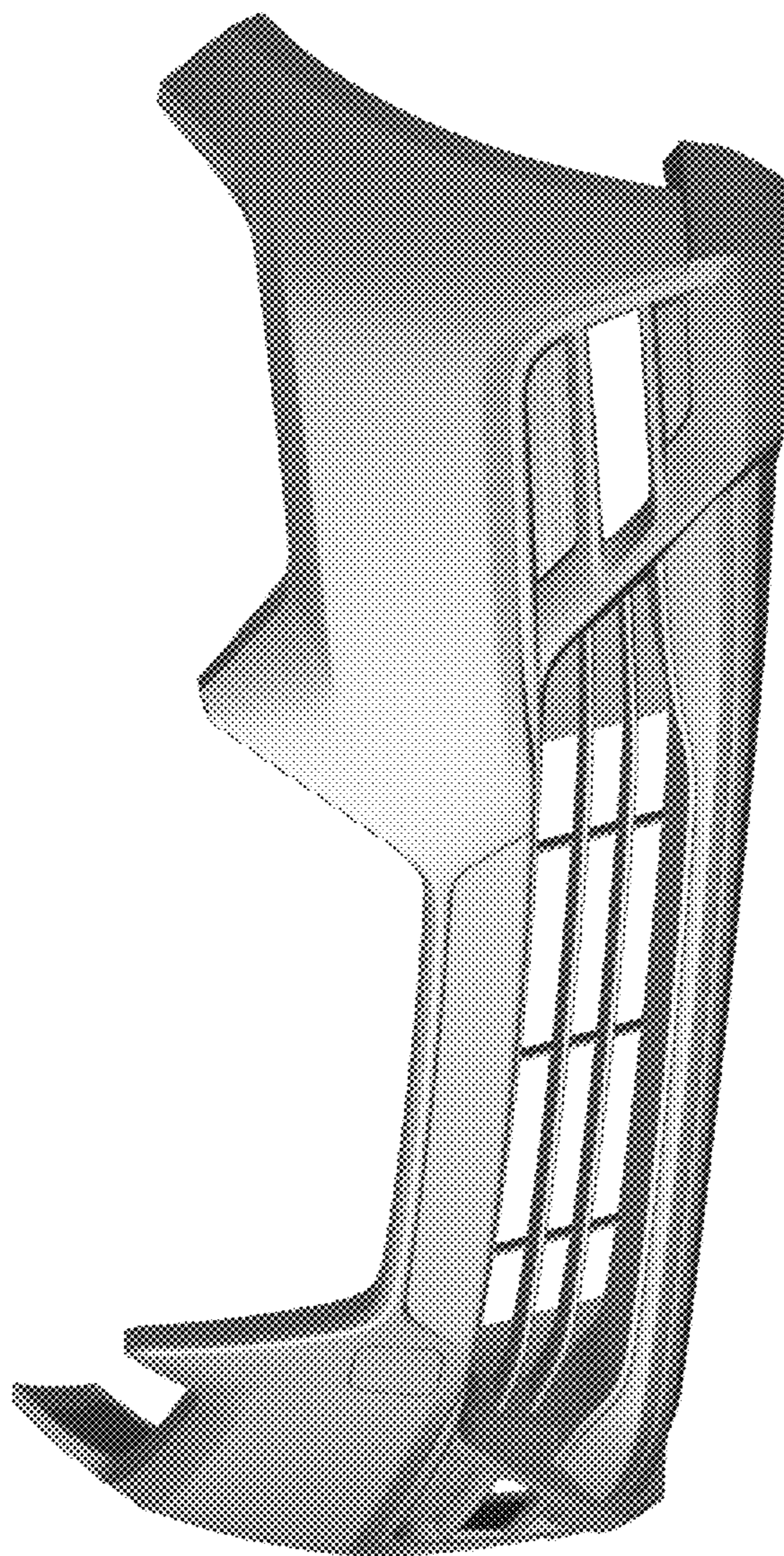


FIG. 6



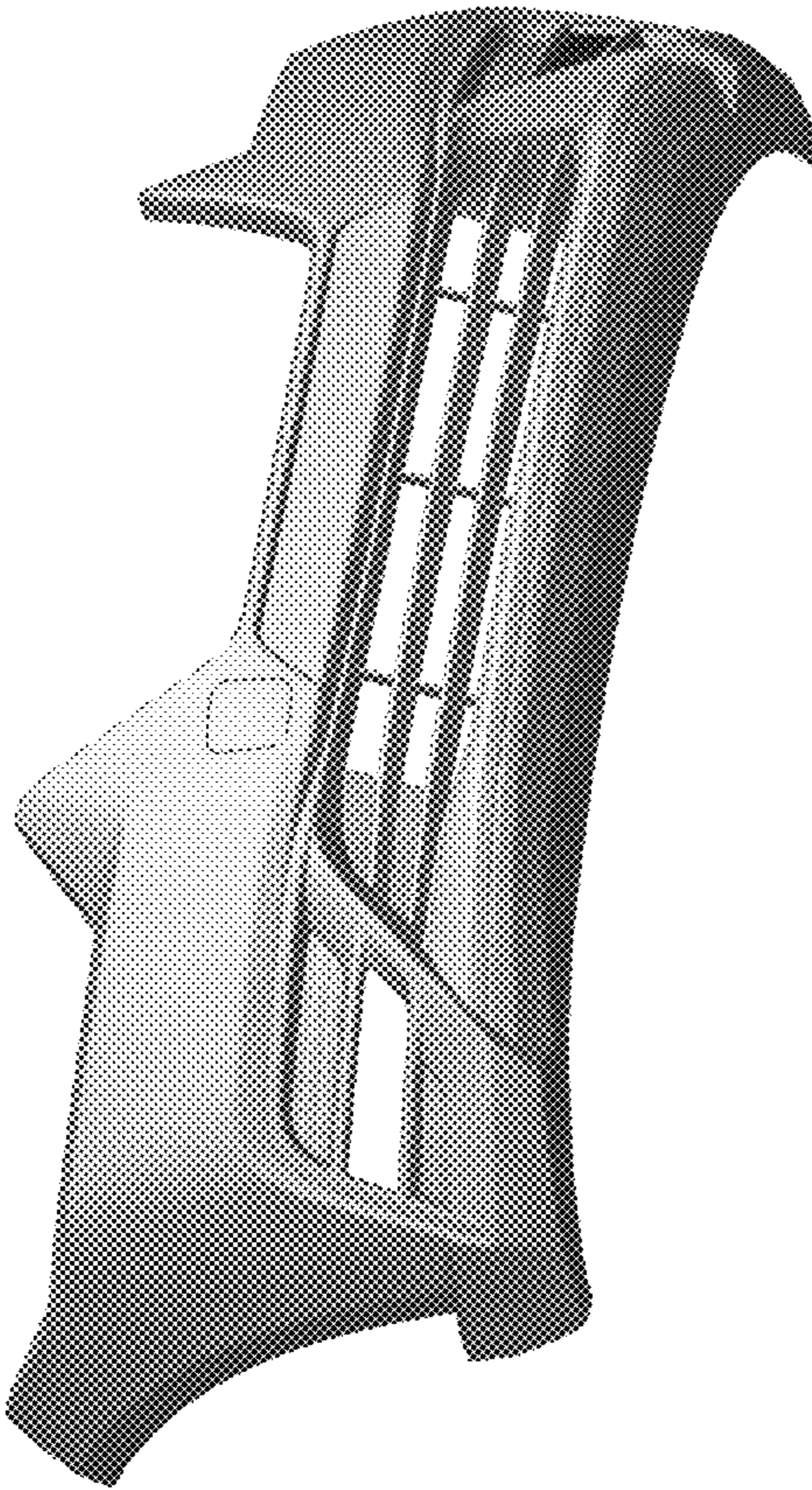


FIG. 7