



US00D803103S

(12) **United States Design Patent**  
**Clyde et al.**

(10) **Patent No.:** **US D803,103 S**

(45) **Date of Patent:** **\*\* Nov. 21, 2017**

- (54) **ELECTRIC MOTORBIKE**
- (71) Applicant: **UBCO LIMITED**, Tauranga (NZ)
- (72) Inventors: **Anthony Clyde**, Opotiki (NZ); **Daryl Neal**, Lower Hutt (NZ)
- (73) Assignee: **UBCO LIMITED**, Tauranga (NZ)
- (\*\*) Term: **15 Years**
- (21) Appl. No.: **29/543,046**
- (22) Filed: **Oct. 20, 2015**
- (30) **Foreign Application Priority Data**  
  - Apr. 20, 2015 (NZ) ..... 420154
- (51) **LOC (10) Cl.** ..... **12-11**
- (52) **U.S. Cl.**  
USPC ..... **D12/110; D12/111**
- (58) **Field of Classification Search**  
USPC ..... D12/110, 111, 117; D21/432, 538;  
180/219, 220, 225, 229  
CPC ..... B62K 11/00; B62K 11/02; B62K 11/04;  
B62K 11/10; B62K 17/00; B62K 19/00;  
B62K 2202/00  
See application file for complete search history.

- 3,212,791 A \* 10/1965 Edwins ..... B62J 1/00  
180/227
- D420,310 S \* 2/2000 Spriggs ..... D12/111
- D432,952 S \* 10/2000 Scruggs ..... D12/110
- D446,476 S \* 8/2001 Wallace ..... D12/110
- D453,489 S \* 2/2002 Wallace ..... D12/110
- 6,464,031 B1 \* 10/2002 Cobb ..... B62K 11/04  
180/205.4
- D483,698 S \* 12/2003 Basura ..... D12/111
- D485,789 S \* 1/2004 Lai ..... D12/111
- D591,203 S \* 4/2009 Martin ..... D12/110
- D645,791 S \* 9/2011 Lee ..... D12/110

\* cited by examiner

*Primary Examiner* — Darlington Ly

(74) *Attorney, Agent, or Firm* — Greer, Burns & Crain, Ltd.

(57) **CLAIM**

The ornamental design for an electric motorbike, as shown and described.

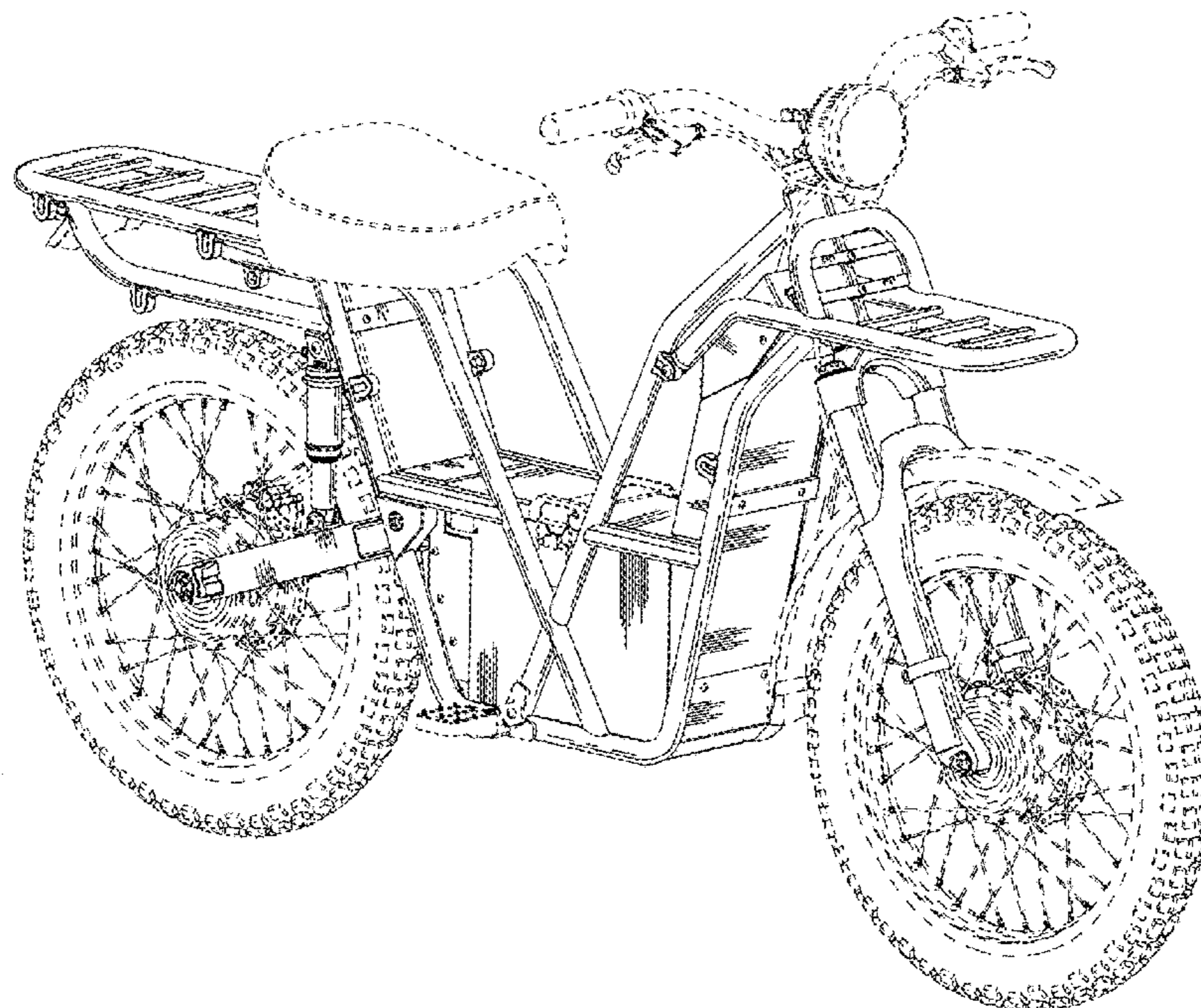
**DESCRIPTION**

FIG. 1 is a front perspective view of an electric motorbike showing our new design;  
 FIG. 2 is a bottom perspective thereof;  
 FIG. 3 is a front elevation view thereof;  
 FIG. 4 is a rear elevation view thereof;  
 FIG. 5 is a right side elevation view thereof;  
 FIG. 6 is a left side elevation view thereof; and,  
 FIG. 7 is a top plan view thereof.

The broken lines in the drawings illustrate portions of the electric motorbike that form no part of the claimed design.

**1 Claim, 7 Drawing Sheets**

- (56) **References Cited**  
**U.S. PATENT DOCUMENTS**  
  - 2,445,058 A \* 7/1948 Fields ..... B62M 25/00  
180/219
  - 3,101,822 A \* 8/1963 Clemens ..... B60T 1/067  
180/230



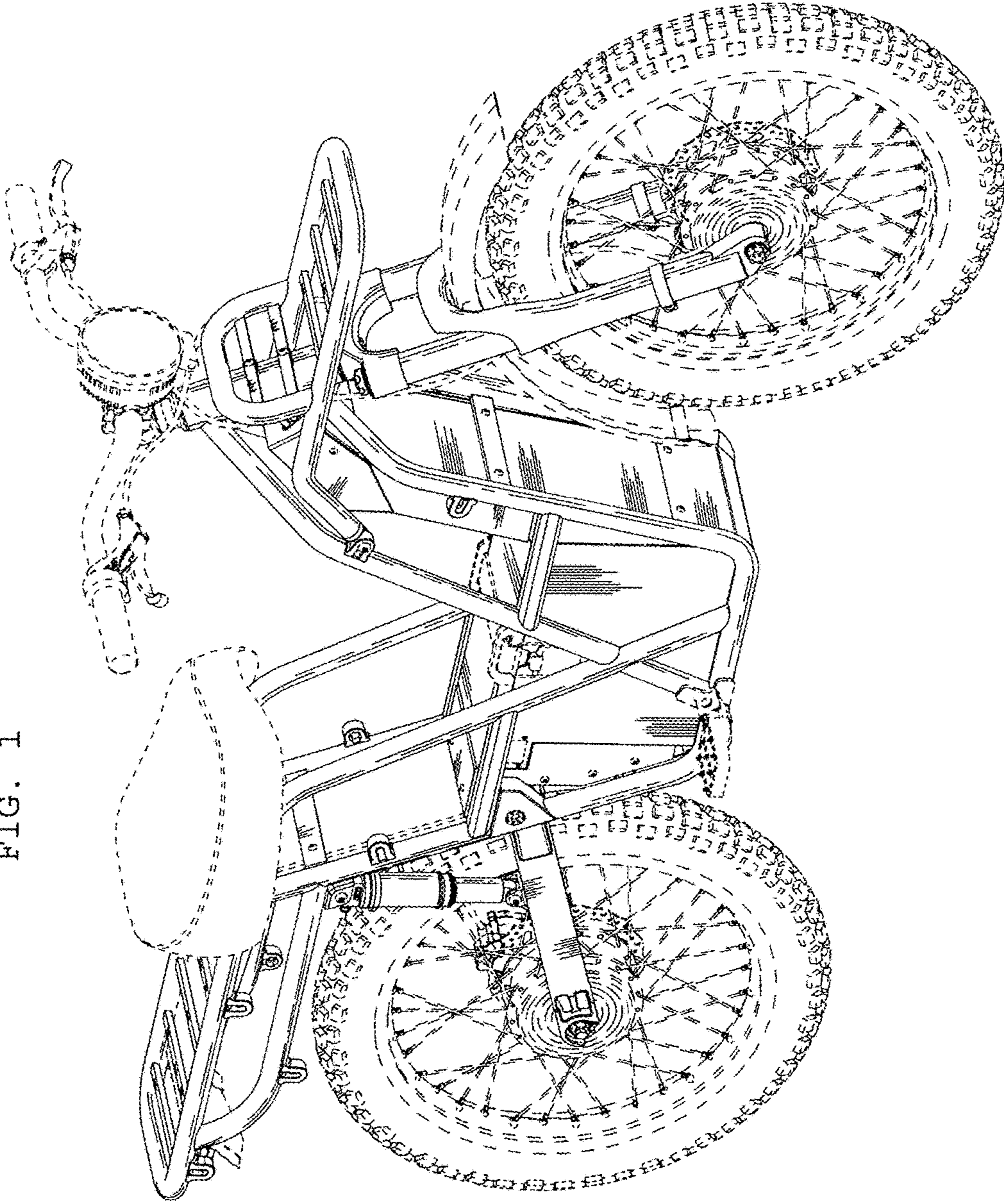


FIG. 1

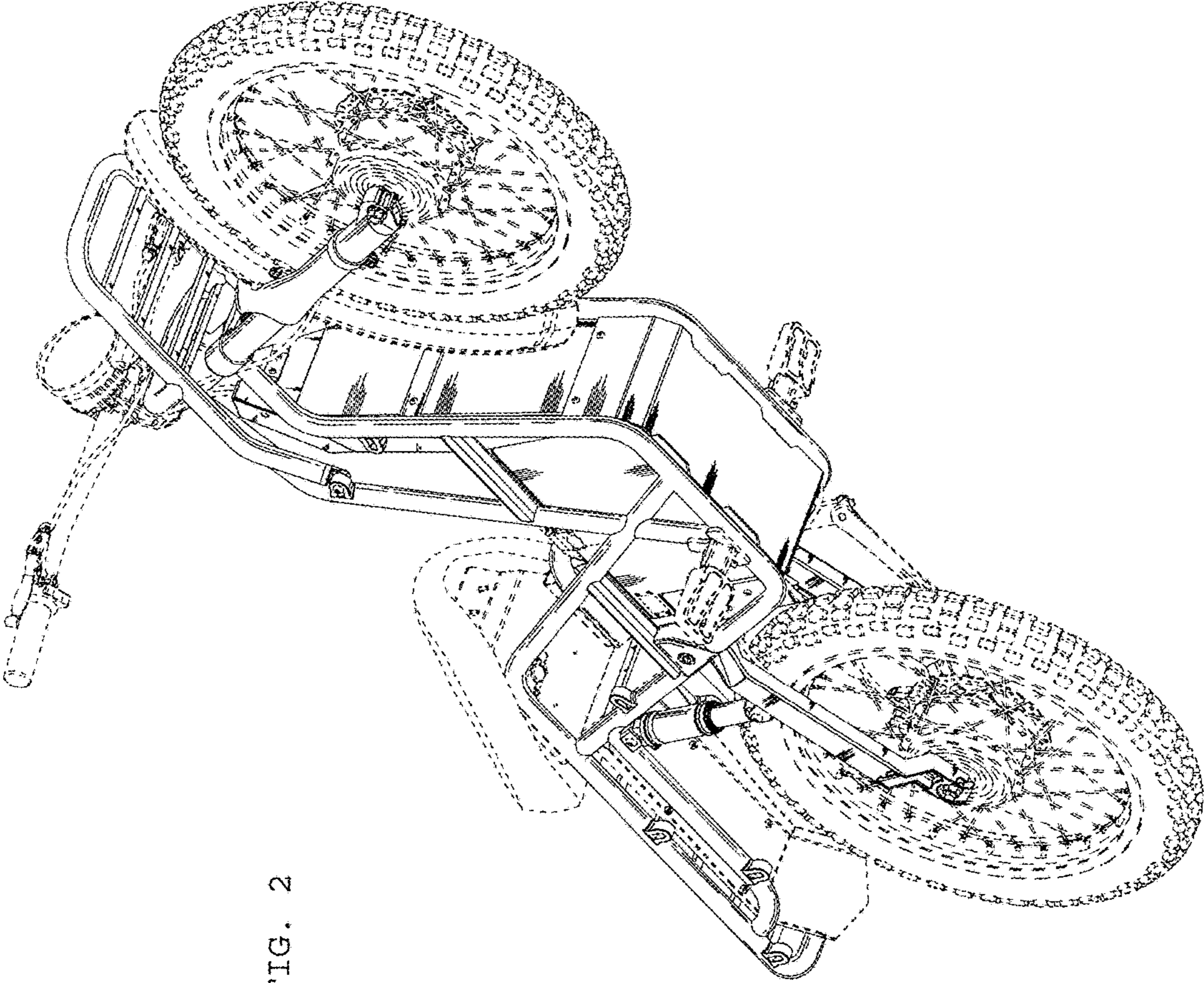


FIG. 2

FIG. 3

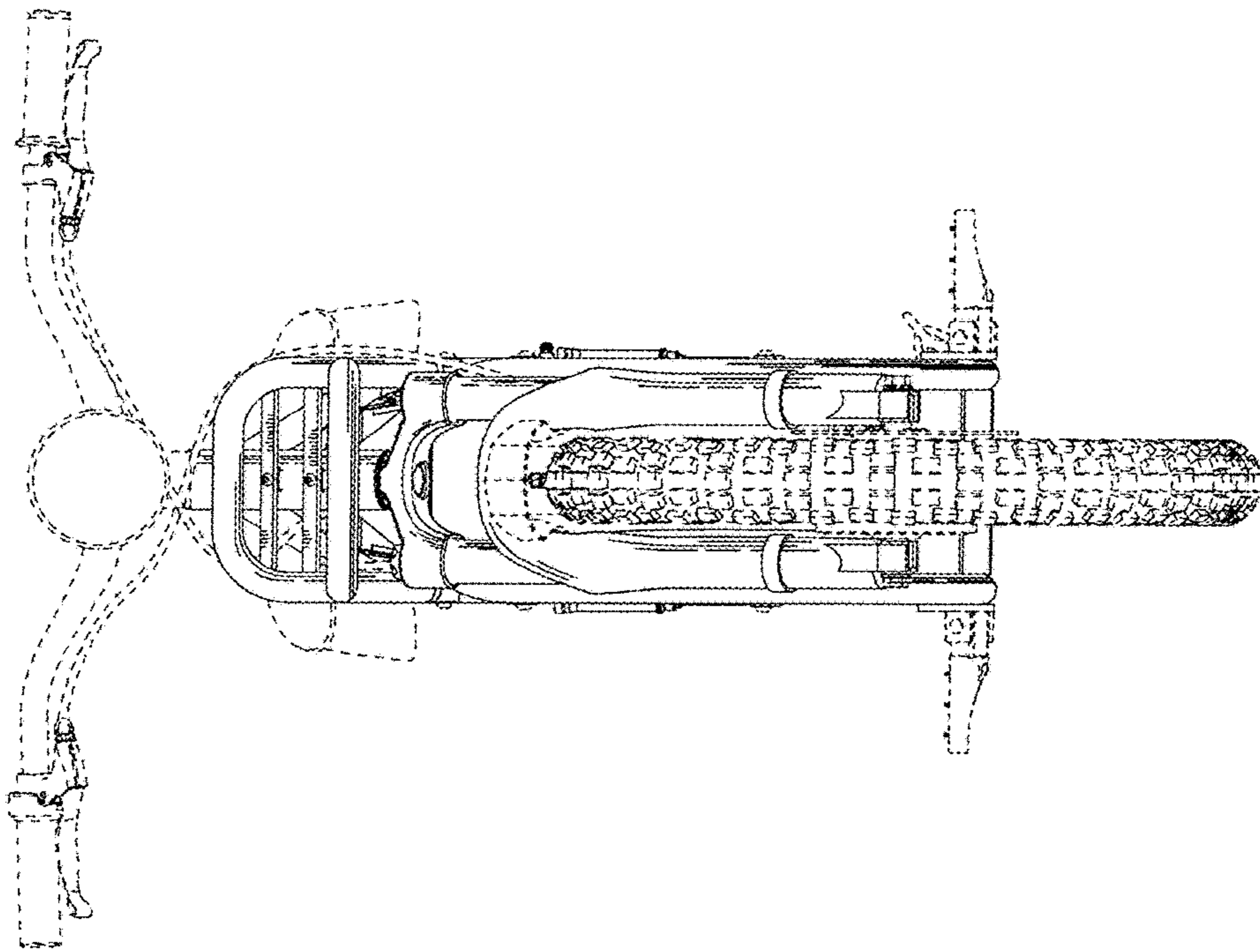
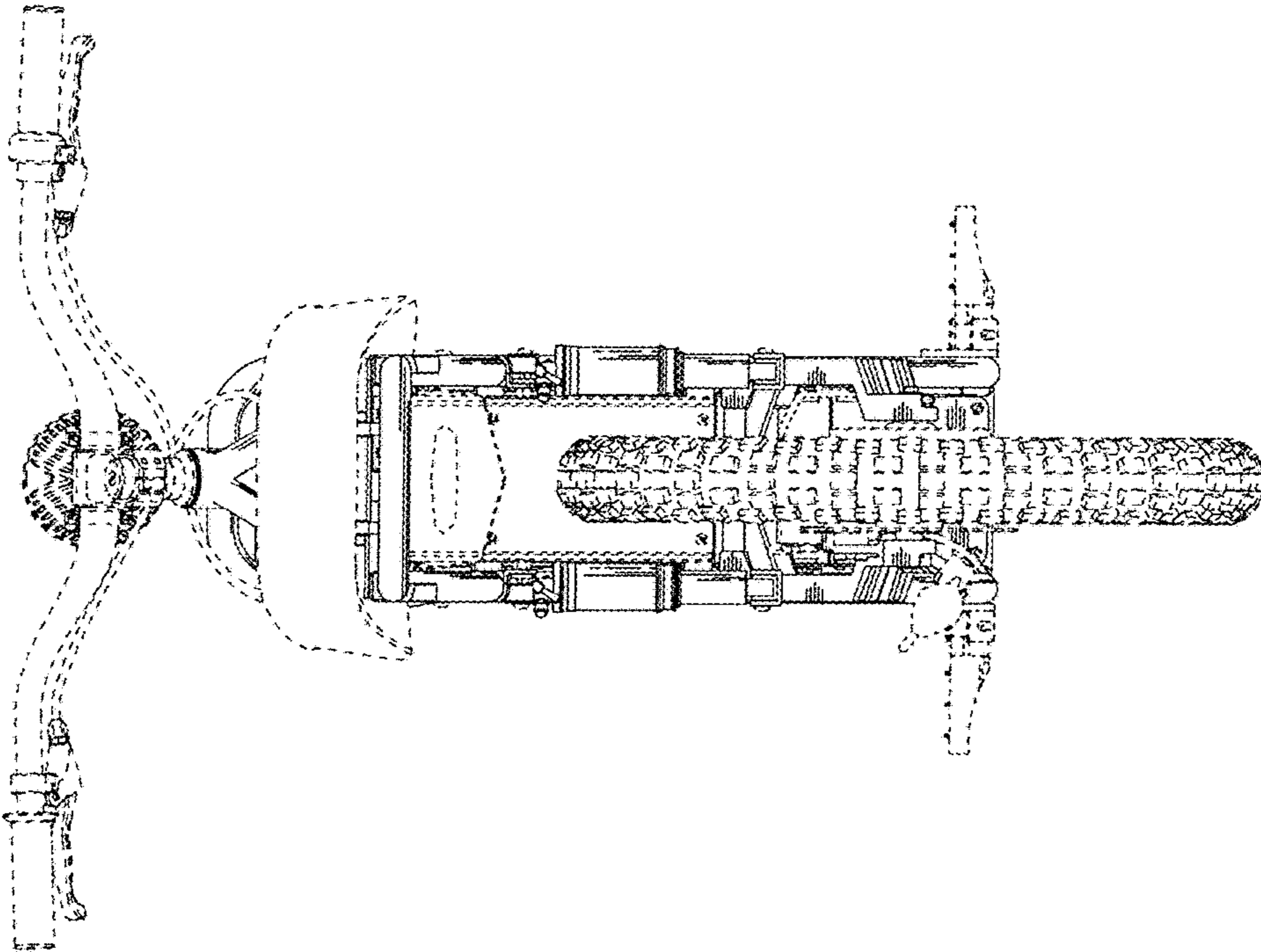
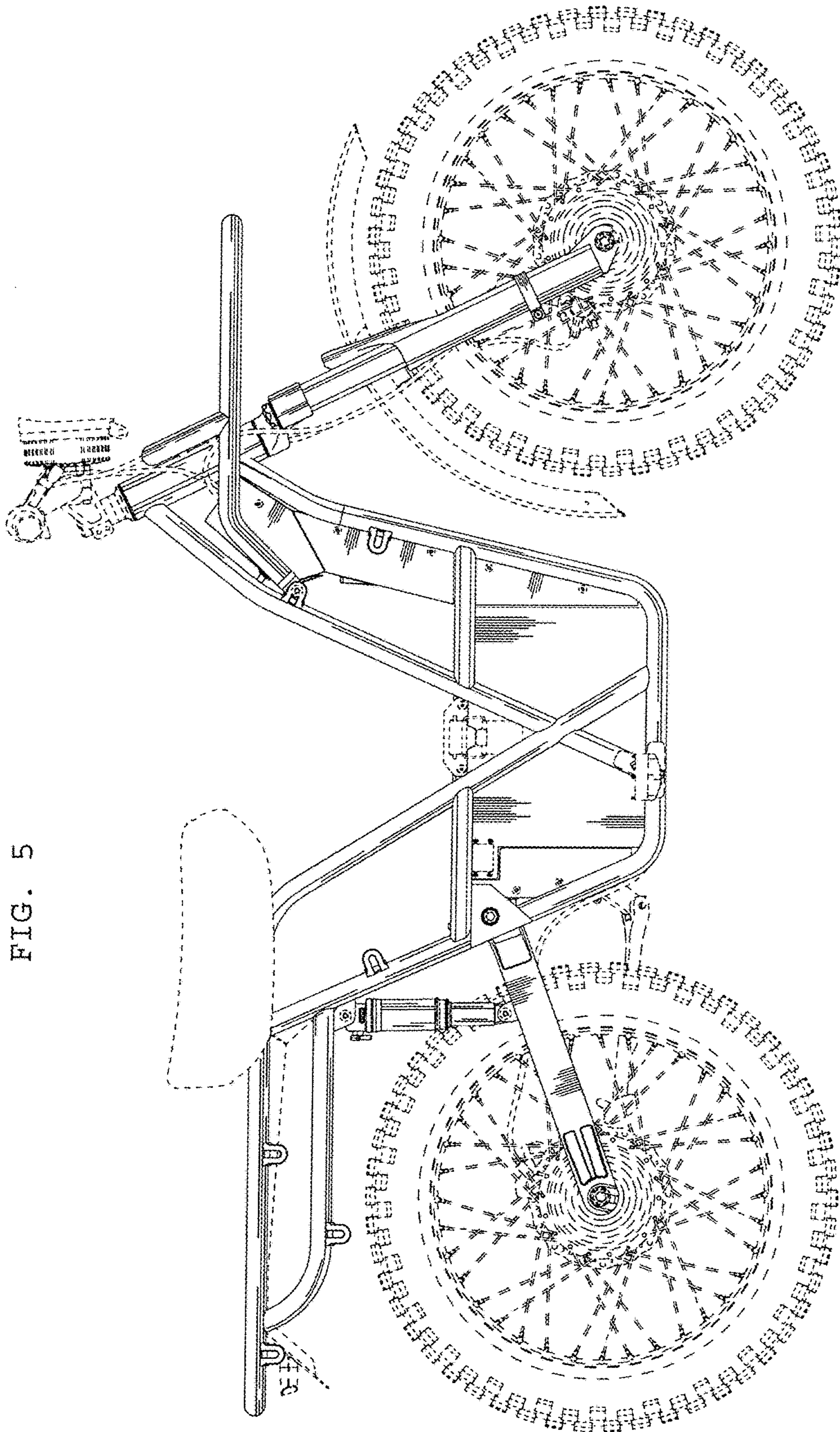
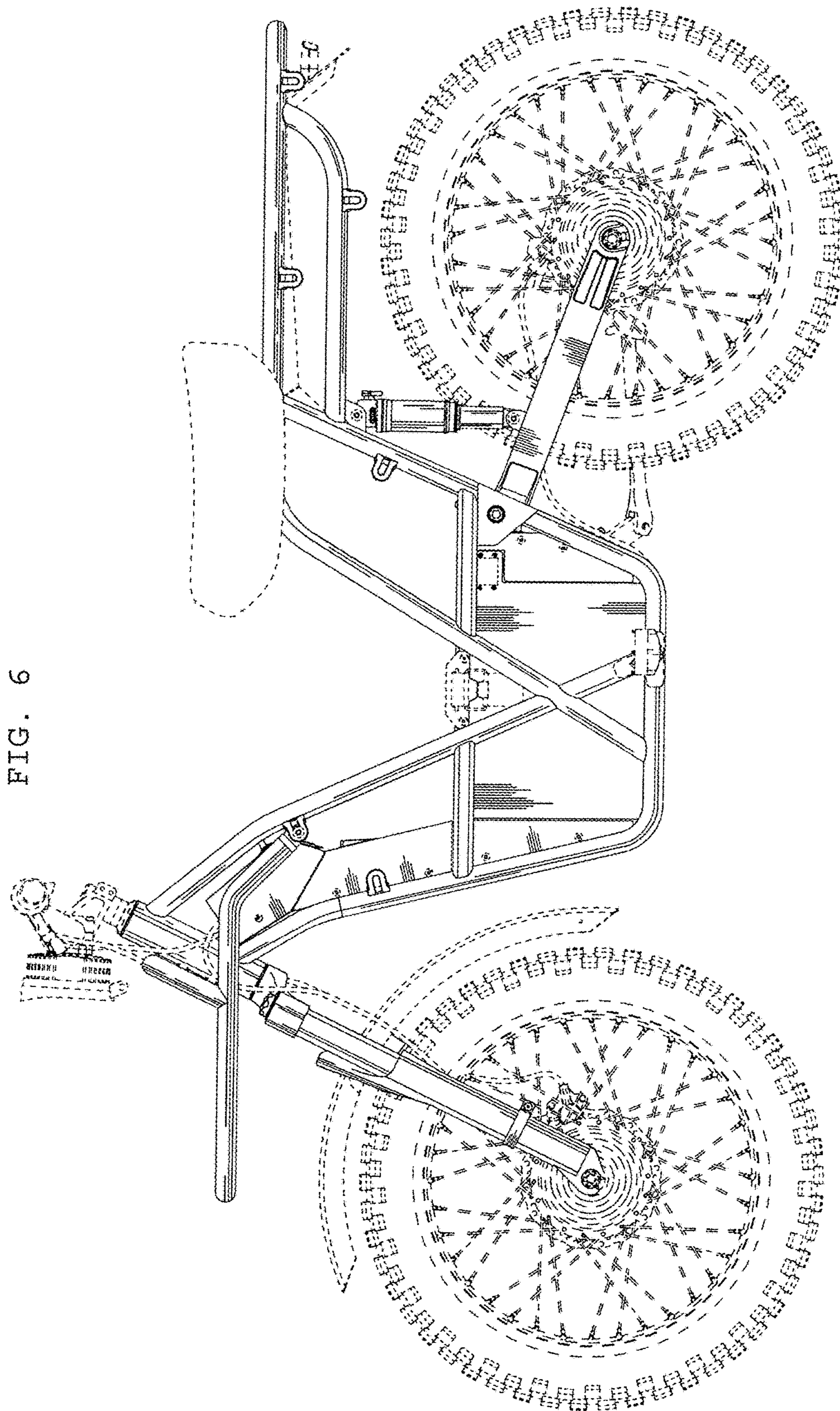


FIG. 4







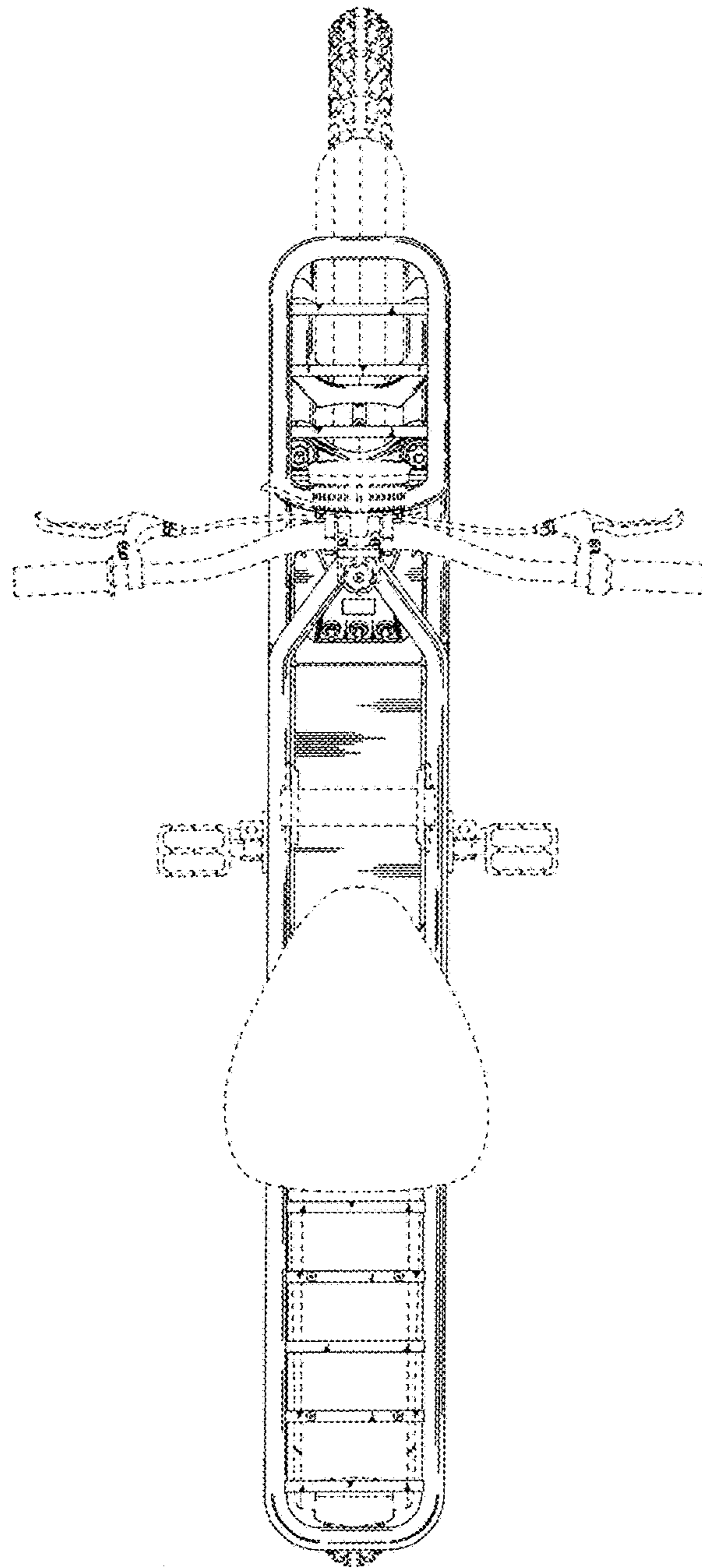


FIG. 7