



US00D803101S

(12) **United States Design Patent** (10) **Patent No.:** **US D803,101 S**
Ito et al. (45) **Date of Patent:** **** Nov. 21, 2017**

(54) **TRUCK VEHICLE**
(71) Applicant: **International Truck Intellectual Property Company, LLC**, Lisle, IL (US)
(72) Inventors: **Chris Ito**, Sugar Grove, IL (US); **Glen Joel Durmisevich**, Rochester Hills, MI (US); **Christian Michael Hardin**, Waterford, MI (US); **David James Olsen**, Aurora, IL (US)

D437,258 S * 2/2001 Meryman D12/96
D437,570 S * 2/2001 Meryman D12/96
6,230,832 B1 * 5/2001 von Mayenburg B60K 11/08
180/68.1
D445,361 S 7/2001 Tirey et al.
D460,023 S 7/2002 Beigel
D462,036 S * 8/2002 Mondragon Sarmiento .. D12/96
D466,450 S * 12/2002 Maher D12/173
D489,649 S * 5/2004 Satou D12/96
D490,749 S * 6/2004 Satou D12/96
D539,704 S * 4/2007 Angelo D12/96
(Continued)

(73) Assignee: **International Truck Intellectual Property Company, LLC**, Lisle, IL (US)

OTHER PUBLICATIONS

International Trucks, announced Jul. 15, 2016 [online], [site visited Aug. 31, 2016]. Available from internet, URL: <<https://www.internationaltrucks.com/trucks>>.*

(**) Term: **15 Years**

(Continued)

(21) Appl. No.: **29/544,138**

Primary Examiner — Keli L Hill

(22) Filed: **Oct. 30, 2015**

Assistant Examiner — Karra S Johnson

(51) **LOC (10) Cl.** **12-08**

(74) *Attorney, Agent, or Firm* — Jeffrey P. Calfa; Mark C. Bach

(52) **U.S. Cl.**

USPC **D12/93**; D12/96

(58) **Field of Classification Search**

USPC D12/93–102

CPC B62D 53/06; B62D 25/10; B62D 65/02;

B62D 25/06; B62D 25/12; B60Q 1/00

See application file for complete search history.

(57) **CLAIM**

The ornamental design for a truck vehicle, as shown and described.

DESCRIPTION

(56) **References Cited**

U.S. PATENT DOCUMENTS

D305,746 S * 1/1990 Allendorph D12/96
D307,731 S * 5/1990 Kerney D12/96
D307,878 S * 5/1990 Lechner D12/96
D394,026 S * 5/1998 Hellhake D12/96
D399,791 S * 10/1998 Hellhake D12/96
D399,792 S * 10/1998 Hellhake D12/96
D406,552 S * 3/1999 Hellhake D12/93
D406,553 S * 3/1999 Hellhake D12/96
D411,140 S * 6/1999 Meryman D12/96
D423,990 S * 5/2000 Meryman D12/96

FIG. 1 is an isometric view of a truck vehicle showing our new design;

FIG. 2 is a top plan view thereof;

FIG. 3 is a left side view thereof;

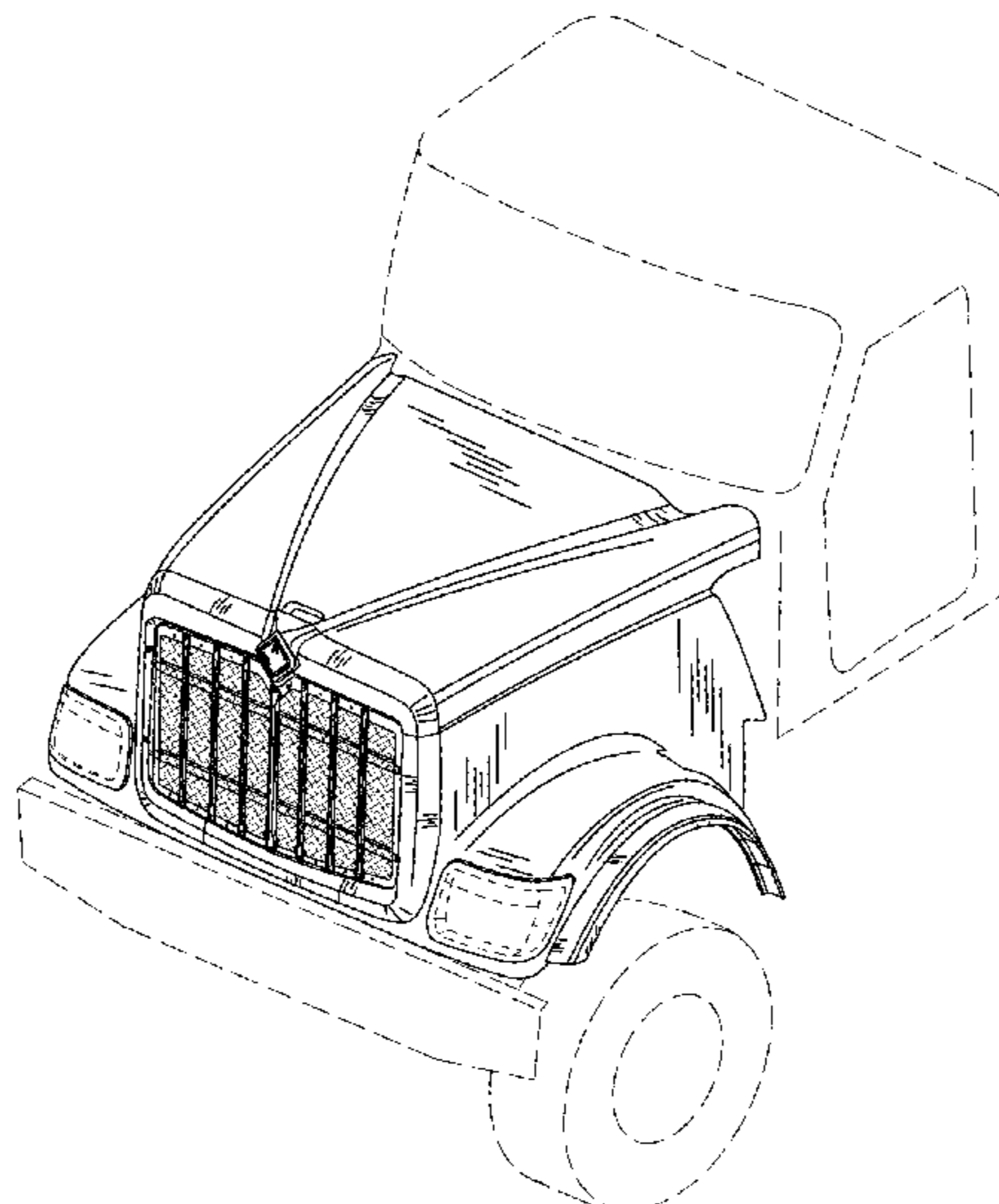
FIG. 4 is a right side view thereof;

FIG. 5 is a front view of FIG. 1; and,

FIG. 6 is a back view of FIG. 1.

The broken lines showing environmental portions of the truck, and features of the truck vehicle, form no part of the claimed design.

1 Claim, 5 Drawing Sheets



(56)

References Cited

U.S. PATENT DOCUMENTS

D542,715 S	5/2007	Beigel et al.	
D545,735 S *	7/2007	Angelo	D12/173
D558,643 S	1/2008	Beigel et al.	
D563,281 S *	3/2008	Simons	D12/173
D566,009 S	4/2008	Beigel et al.	
D621,754 S *	8/2010	Angelo	D12/173
D622,188 S *	8/2010	Angelo	D12/96
D632,224 S *	2/2011	Peltola	D12/173
D634,244 S	3/2011	Aris et al.	
D645,380 S	9/2011	Beigel et al.	
D703,105 S	4/2014	Riggs et al.	
D711,786 S *	8/2014	Brzustowicz	D12/96
D711,787 S *	8/2014	Brzustowicz	D12/96
D711,788 S *	8/2014	Brzustowicz	D12/96
D719,879 S	12/2014	Ito et al.	
D758,253 S *	6/2016	Brzustowicz	D12/96
2011/0089716 A1 *	4/2011	Hall	B62D 25/12 296/180.2

2013/0025954 A1 *	1/2013	Miller	B62D 25/10 180/69.21
2013/0127205 A1 *	5/2013	Jaynes	B62D 25/06 296/190.1
2013/0199863 A1	8/2013	Robbins	

OTHER PUBLICATIONS

Day Cab Semi Trucks for Sale, announced Nov. 30, 2011 [online], [site visited Sep. 1, 2016]. Available from internet, URL: <<https://conventionaldaycabtrucks.wordpress.com/>>.*

Things to Look for when Buying a Used Semi Truck, announced Dec. 3, 2014 [online], [site visited Sep. 1, 2016]. Available from internet, URL: <<http://www.ddtrucksonline.com/blog/m.blog/60/things-to-look-for-when-buying-a-used-semi-truck>>.*

Used Tractors for Sale from AmeriQuest, announced Mar. 21, 2016 [online], [site visited Sep. 1, 2016]. Available from internet, URL: <<http://www.ameriquescorp.com/transportation/services/used-trucks/search-inventory/results-used-trucks.aspx?vehicletype=tractors&cabtype=daycabtractor&rearaxles=tandem>>.*

* cited by examiner

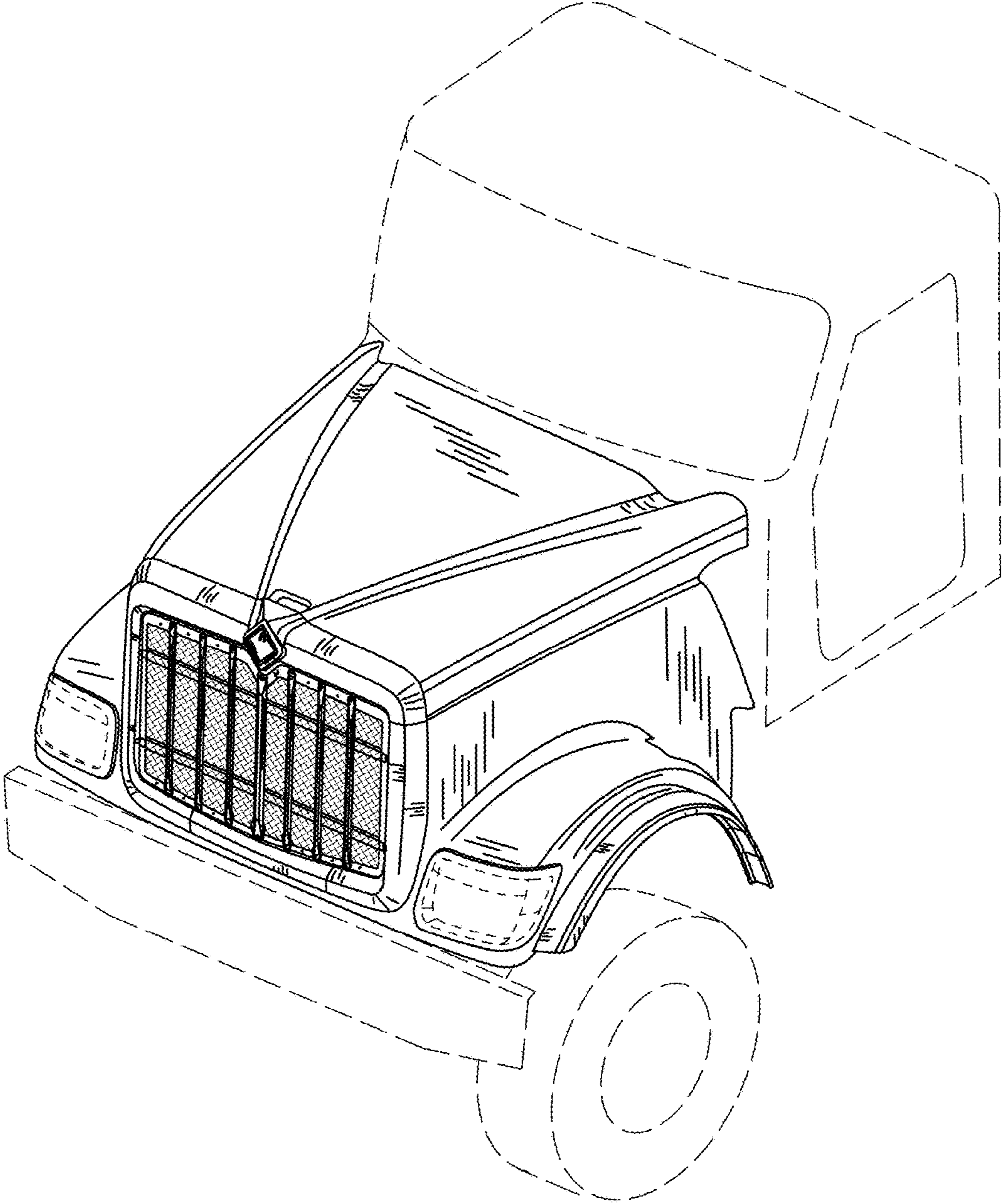


FIG.1

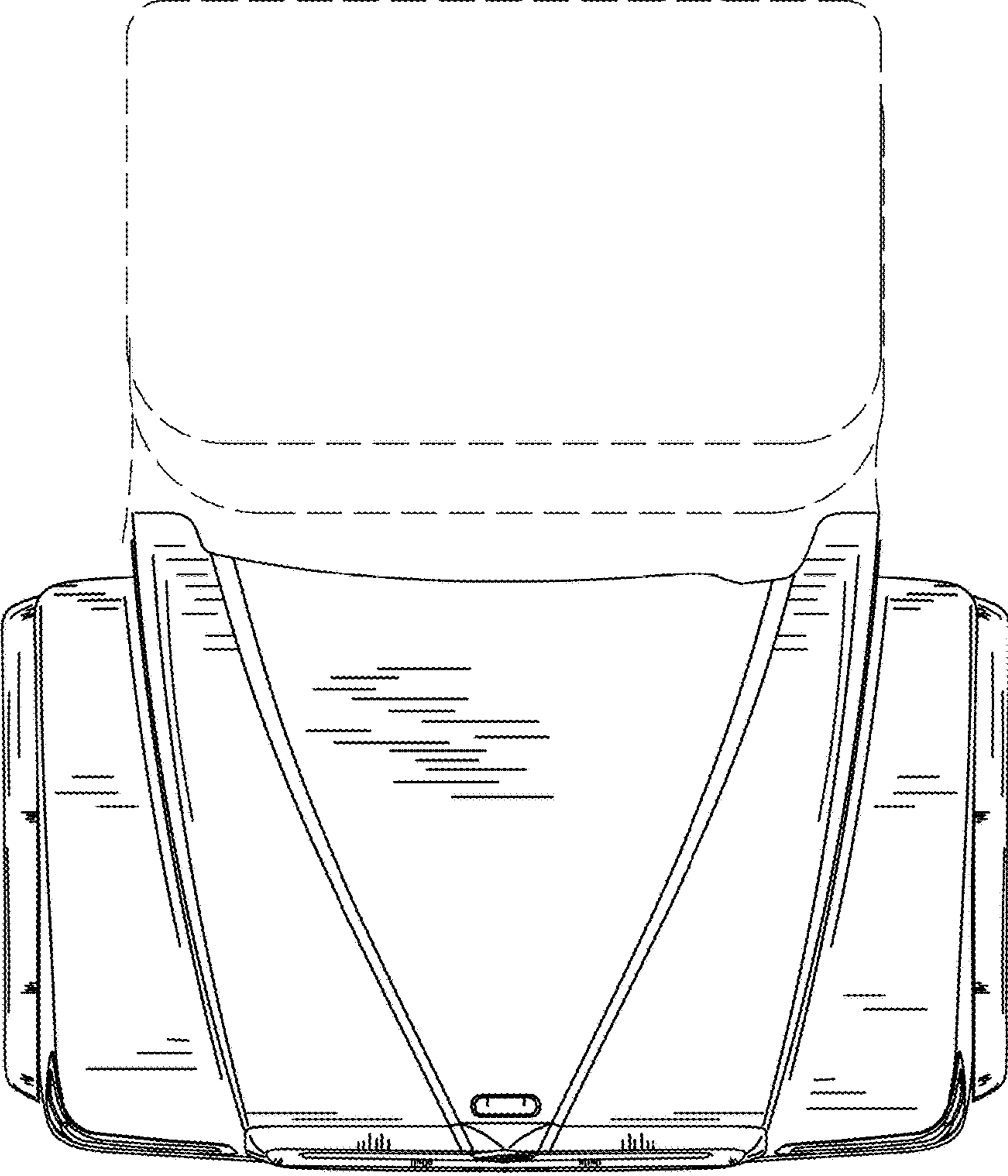


FIG.2

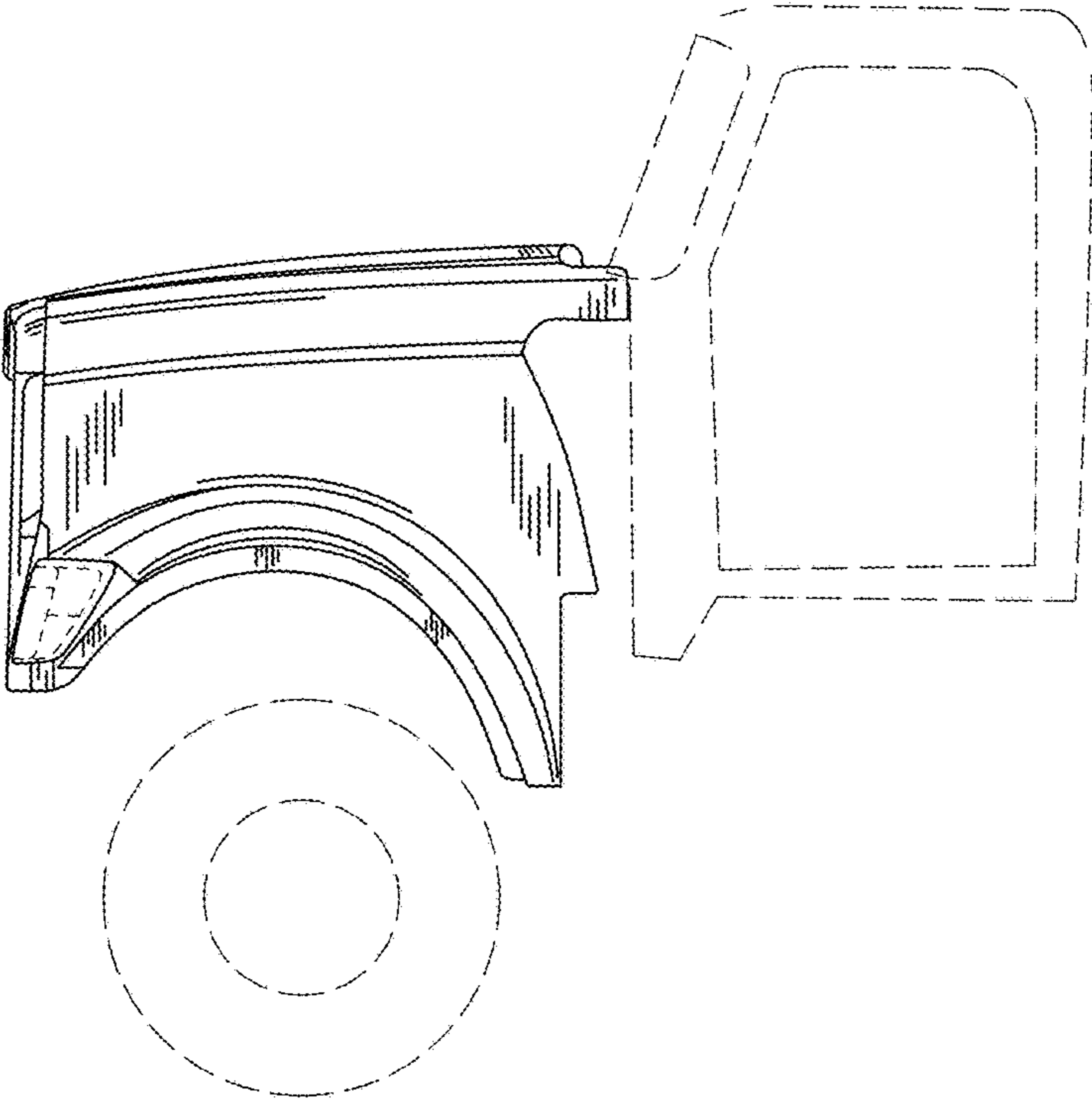


FIG.3

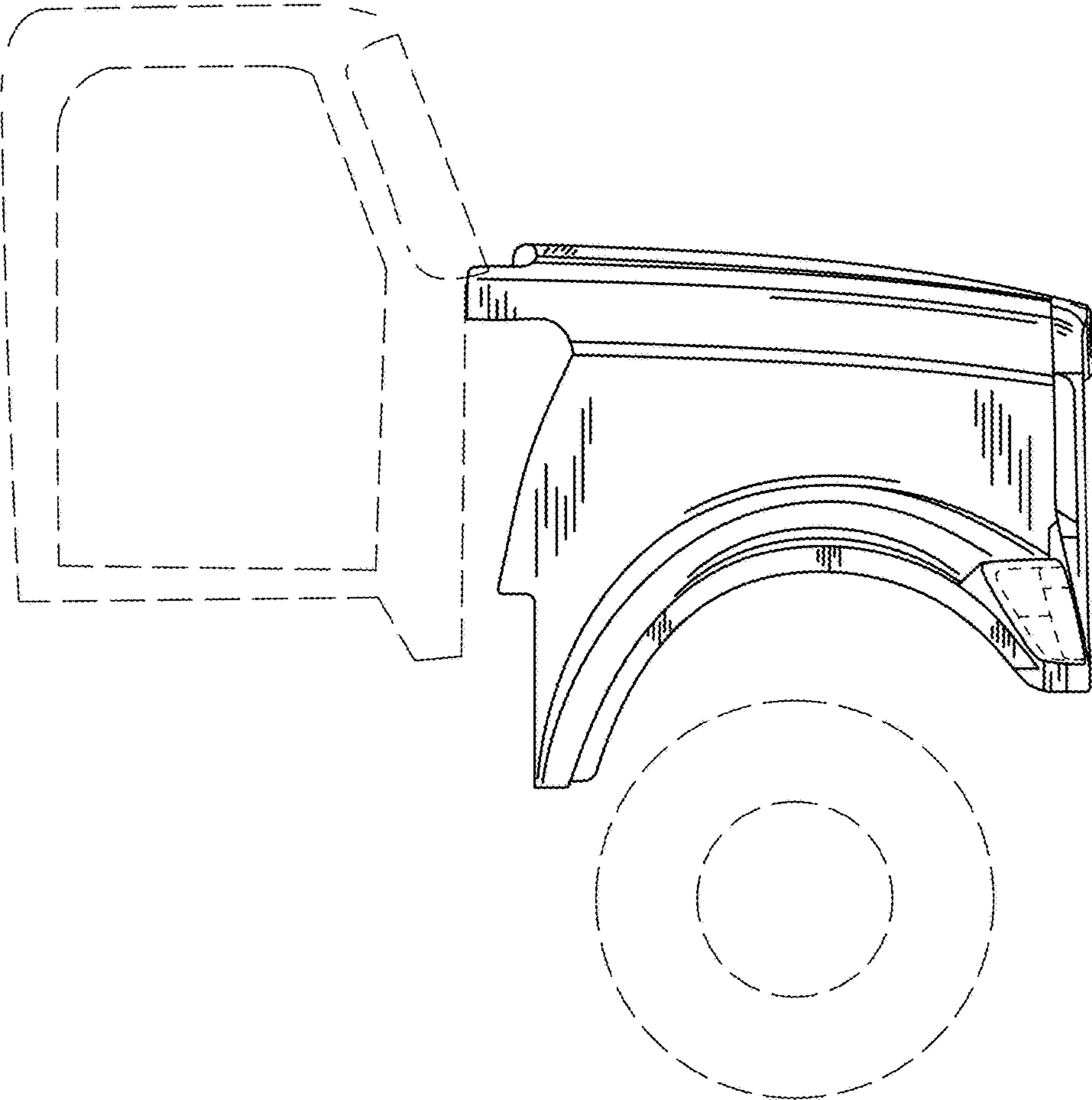


FIG.4

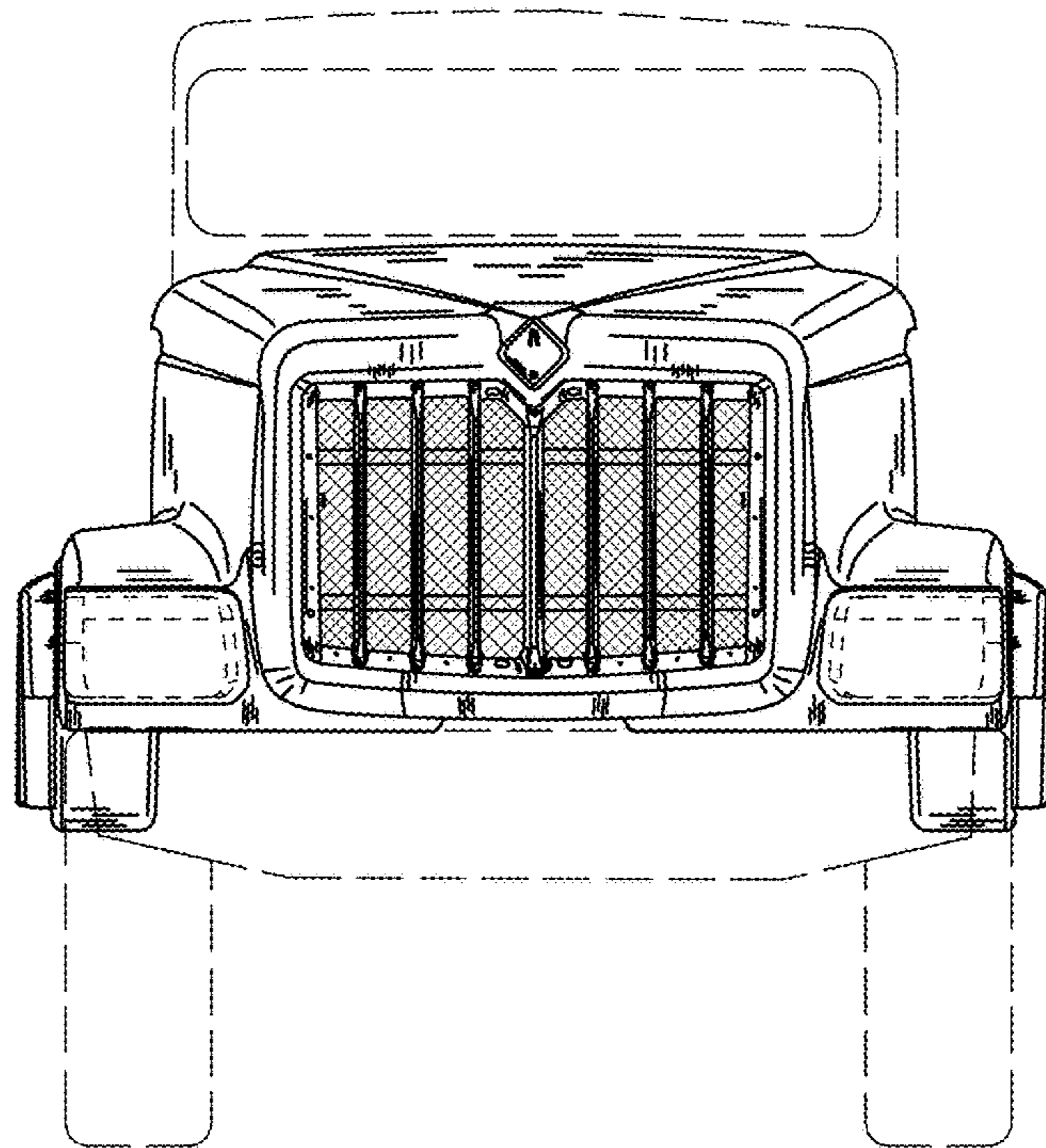


FIG.5

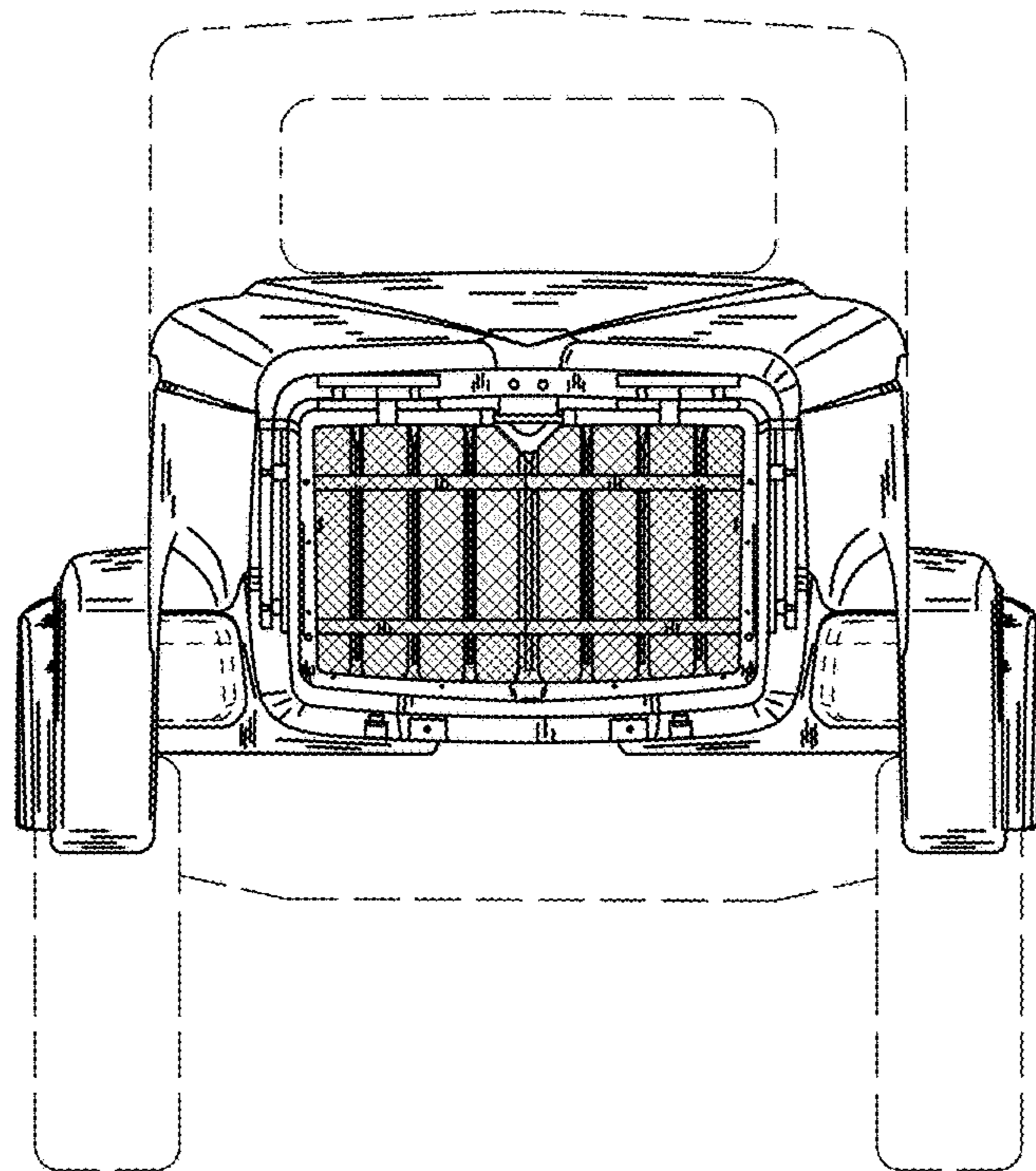


FIG.6